



US00D743874S

(12) **United States Design Patent**  
**Philipot et al.**

(10) **Patent No.:** **US D743,874 S**

(45) **Date of Patent:** **\*\* Nov. 24, 2015**

(54) **TIRE**

(71) Applicant: **The Goodyear Tire & Rubber Company, Akron, OH (US)**

(72) Inventors: **Benjamin Philipot, Warken (LU); Jan Leyssens, Leglise-Beheme (BE); Stephan Peter Hilger, Medell (BE); Alexander Ossipov, Leuven (BE)**

(73) Assignee: **The Goodyear Tire & Rubber Company, Akron, OH (US)**

(\*\*) Term: **14 Years**

(21) Appl. No.: **29/521,135**

(22) Filed: **Mar. 20, 2015**

(51) **LOC (10) Cl.** ..... **12-15**

(52) **U.S. Cl.**  
USPC ..... **D12/524; D12/518**

(58) **Field of Classification Search**  
USPC ..... D12/505–532, 900–901  
CPC ..... B60C 11/0304; B60C 11/0302; B60C 11/0306; B60C 11/0309; B60C 11/0318; B60C 11/0311; B60C 11/042; B60C 11/13; B60C 11/00; B60C 11/11; B60C 11/12  
See application file for complete search history.

(56) **References Cited**

**U.S. PATENT DOCUMENTS**

D451,440 S	12/2001	Weber	.....	D12/146
D451,441 S	12/2001	Weber	.....	D12/146
D491,517 S	6/2004	Matsumoto et al.	.....	D12/554
D517,976 S	* 3/2006	Raatikainen	.....	D12/518
D557,195 S	* 12/2007	Fontaine et al.	.....	D12/524
D558,126 S	12/2007	Shavers et al.	.....	D12/519
D558,127 S	12/2007	Shavers et al.	.....	D12/519
D577,654 S	* 9/2008	Iwai	.....	D12/521
D583,302 S	* 12/2008	Shavers et al.	.....	D12/518
D599,276 S	9/2009	Fontaine et al.	.....	D12/519
D600,629 S	* 9/2009	Takahashi	.....	D12/518
D601,939 S	10/2009	Fontaine et al.	.....	D12/519

D609,161 S	2/2010	Fontaine et al.	.....	D12/517
D619,080 S	* 7/2010	Woidtke et al.	.....	D12/519
D634,261 S	3/2011	Schmalix et al.	.....	D12/519
D634,699 S	3/2011	Fontaine et al.	.....	D12/517
D639,719 S	6/2011	Harvey et al.	.....	D12/521
D644,593 S	9/2011	Fontaine et al.	.....	D12/523
D647,454 S	10/2011	Fabing et al.	.....	D12/518
D659,633 S	5/2012	Bindner et al.	.....	D12/521
D662,031 S	* 6/2012	Yonehara et al.	.....	D12/514
D665,336 S	8/2012	Skurich et al.	.....	D12/523
D667,358 S	* 9/2012	Fontaine et al.	.....	D12/518
D668,204 S	10/2012	Leendertse et al.	.....	D12/524
D670,232 S	11/2012	Leendertse et al.	.....	D12/518
D673,893 S	* 1/2013	Leendertse et al.	.....	D12/518

(Continued)

*Primary Examiner* — Stacia Cadmus

(74) *Attorney, Agent, or Firm* — Richard B. O’Planick

(57) **CLAIM**

The ornamental design for a tire, as shown and described.

**DESCRIPTION**

FIG. 1 is a perspective view of a tire showing our new design, it being understood that the pattern repeats uniformly throughout the circumference of the tread;

FIG. 2 is a front elevational view thereof;

FIG. 3 is a right side elevational view thereof;

FIG. 4 is a left side elevational view thereof;

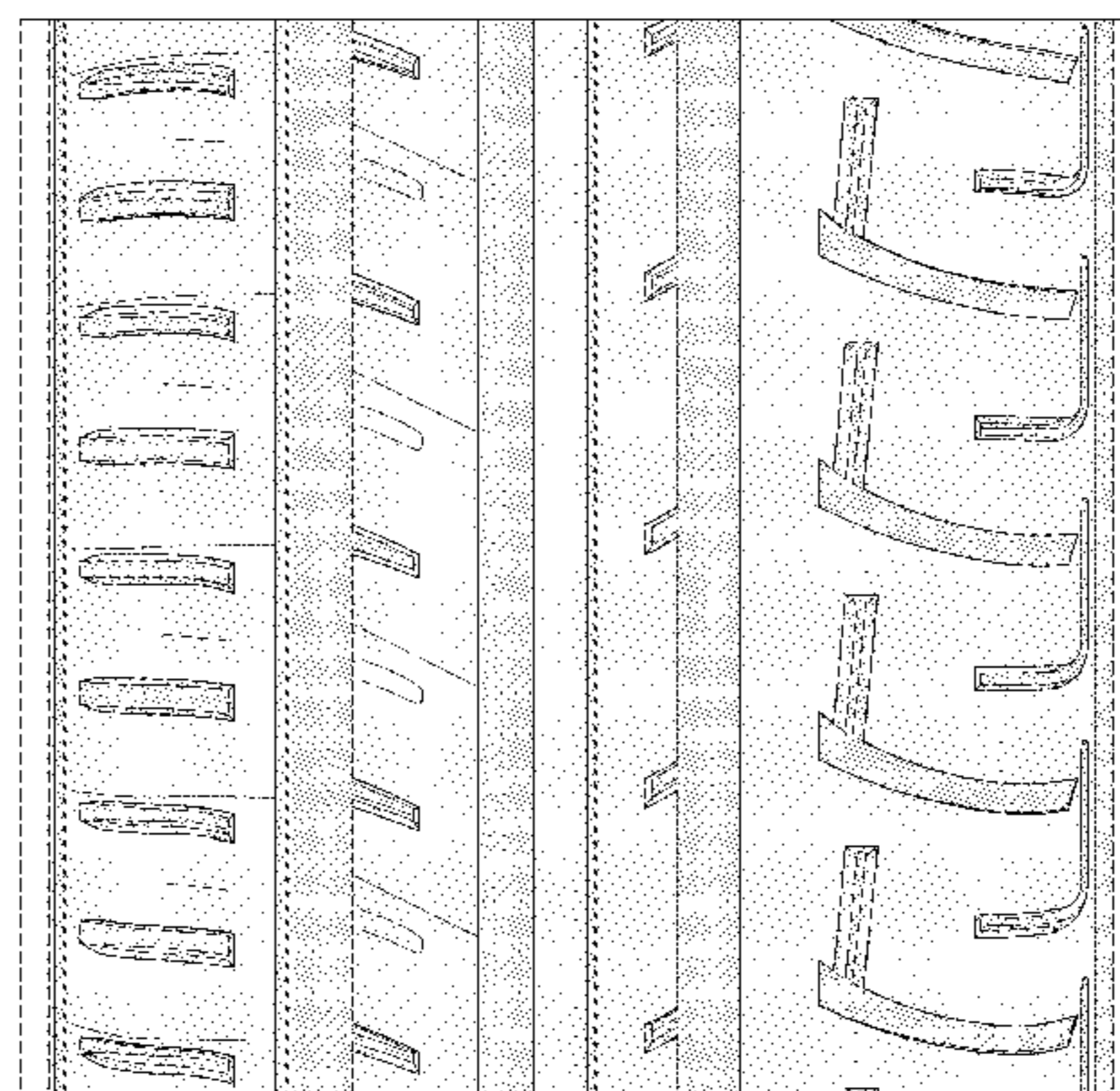
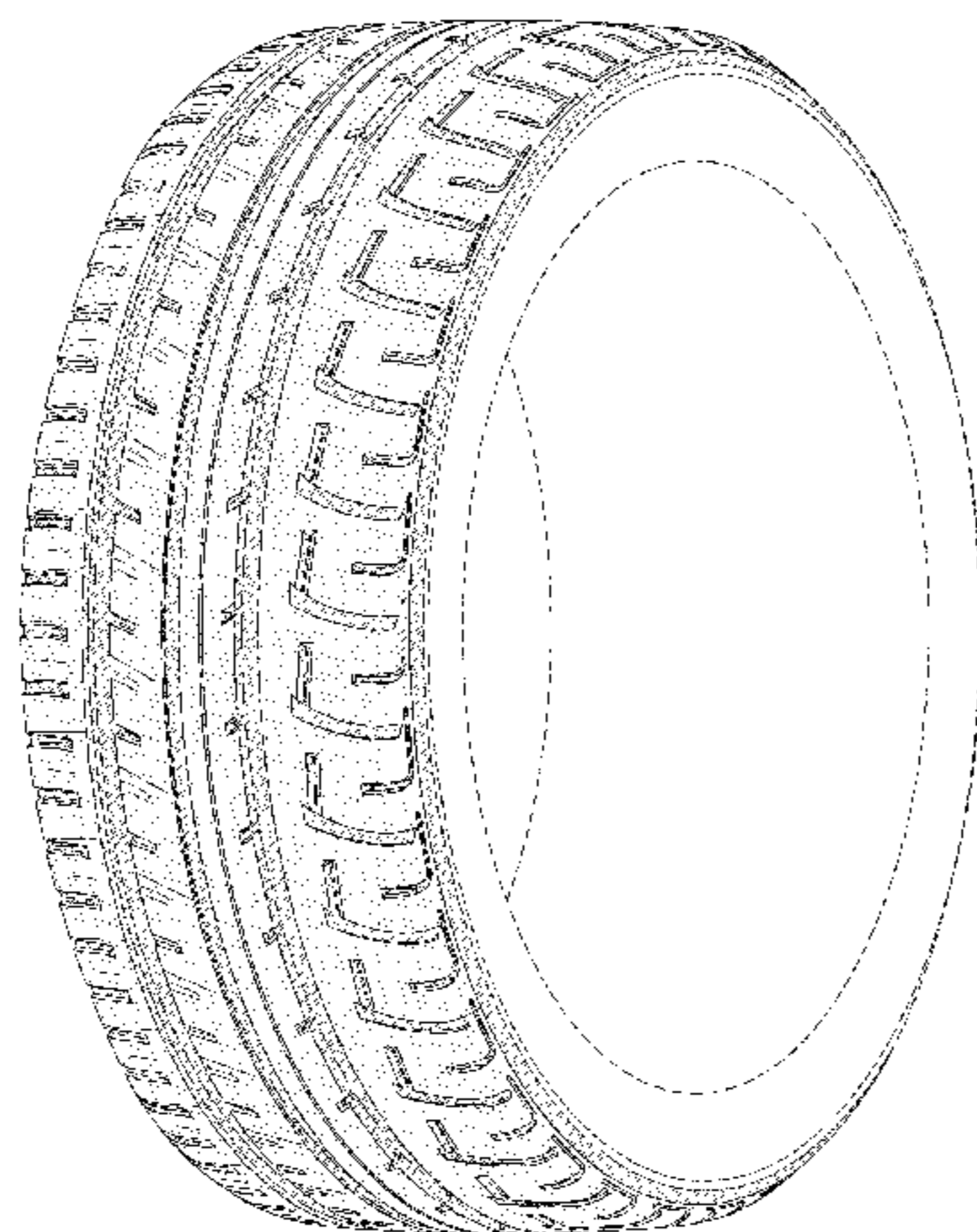
FIG. 5 is an enlarged fragmentary front elevational view thereof;

FIG. 6 is a perspective view of a second embodiment of a tire showing our new design, it being understood that the pattern repeats uniformly throughout the circumference of the tread; and,

FIG. 7 is a front elevational view of a second embodiment, it being understood that an enlarged fragmentary view thereof would be substantially identical to that shown in FIG. 5, with the exception of the inclusion of the sidewall in solid lines.

In the drawings, the broken lines showing of the sidewall, inner bead and the peripheral boundary between the tire tread and the sidewall in FIGS. 1 through 5 depict environmental subject matter and form no part of the claimed design.

**1 Claim, 7 Drawing Sheets**



(56)

**References Cited**

U.S. PATENT DOCUMENTS

D679,241 S 4/2013 Fehl et al. .... D12/524  
D701,822 S 4/2014 Bindner et al. .... D12/523  
D706,707 S \* 6/2014 Jacobs ..... D12/524  
D708,116 S 7/2014 Caron et al. .... D12/523

D709,433 S 7/2014 Inoue ..... D12/517  
D709,435 S \* 7/2014 Jacobs ..... D12/524  
D715,214 S 10/2014 Fontaine et al. .... D12/523  
D720,681 S 1/2015 Bindner et al. .... D12/523  
D727,834 S \* 4/2015 Wang et al. .... D12/518  
D728,452 S \* 5/2015 Sano et al. .... D12/521

\* cited by examiner

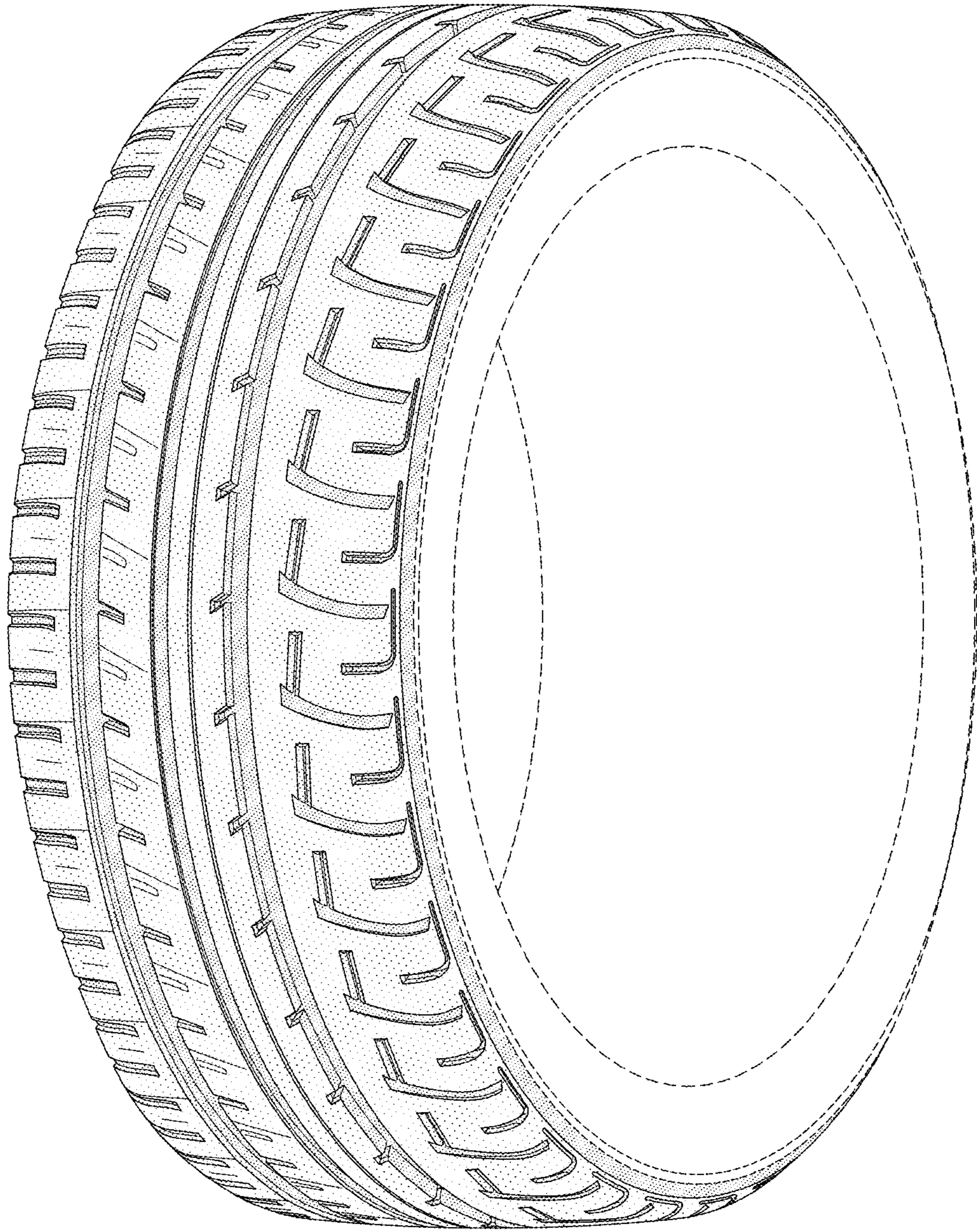


FIG-1

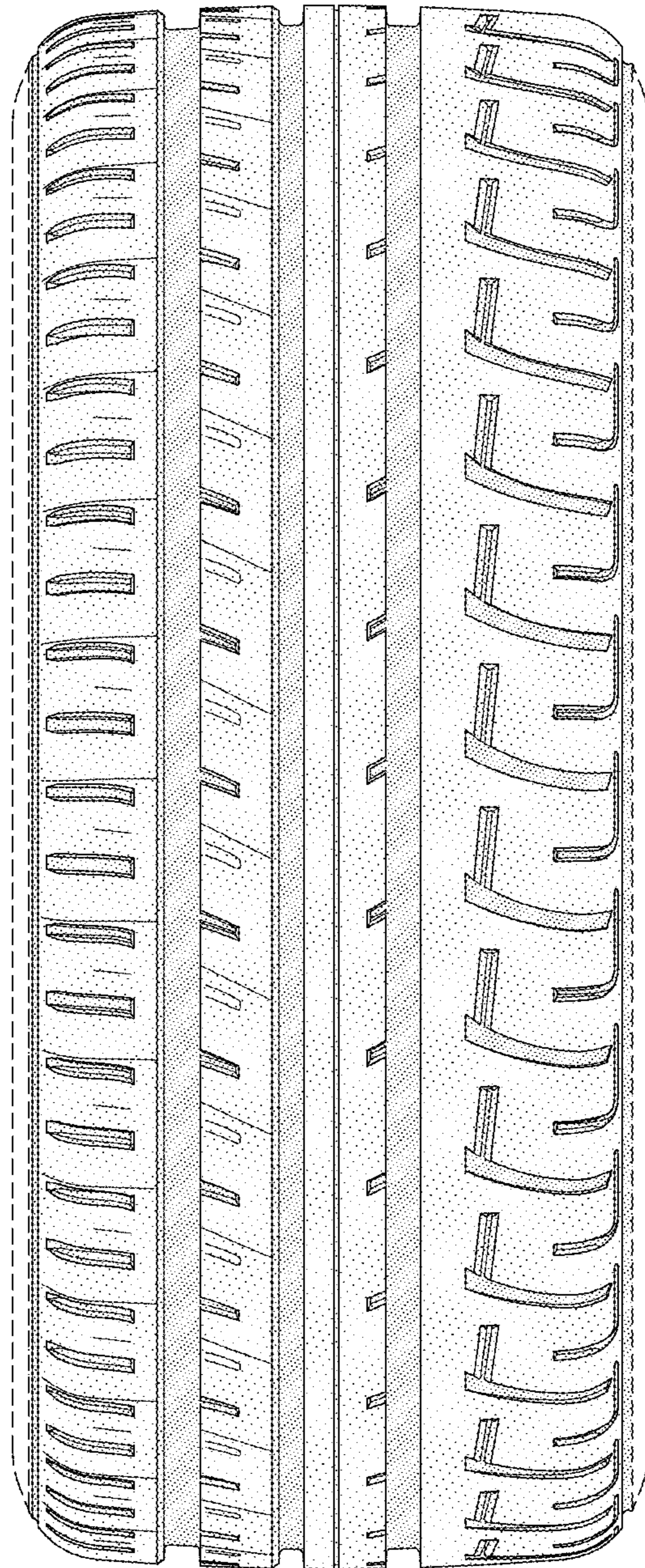


FIG-2

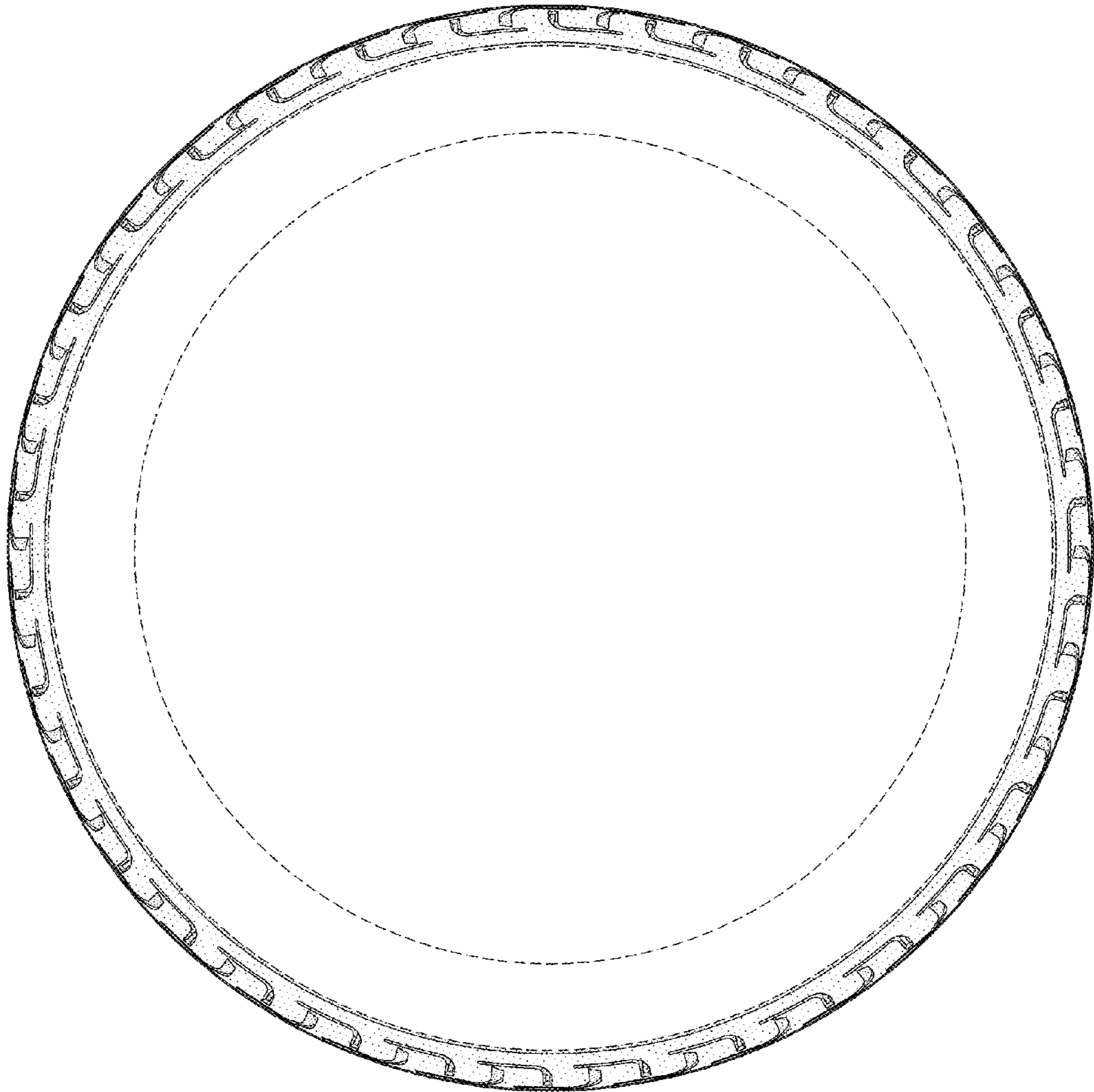


FIG-3

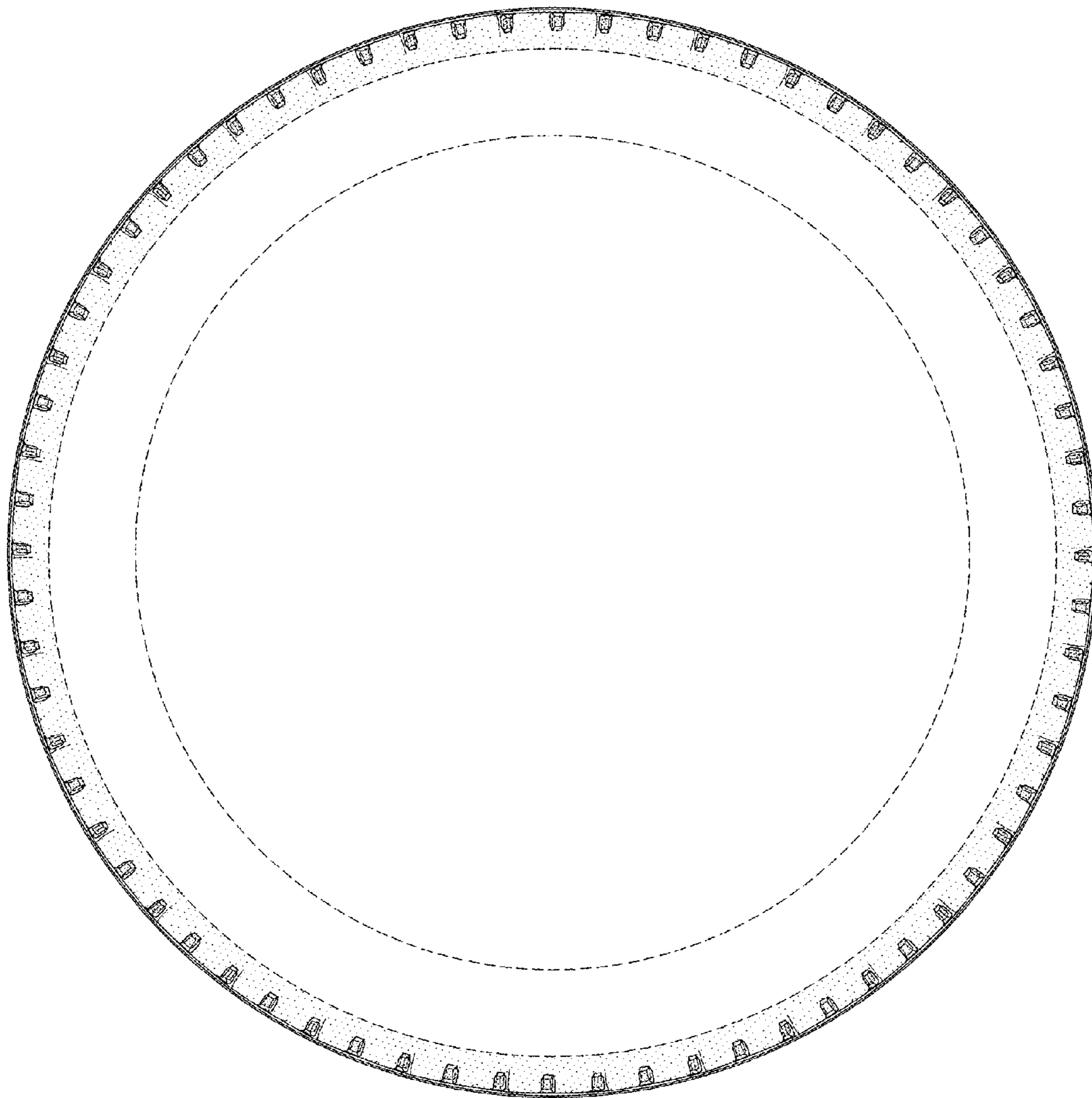


FIG-4

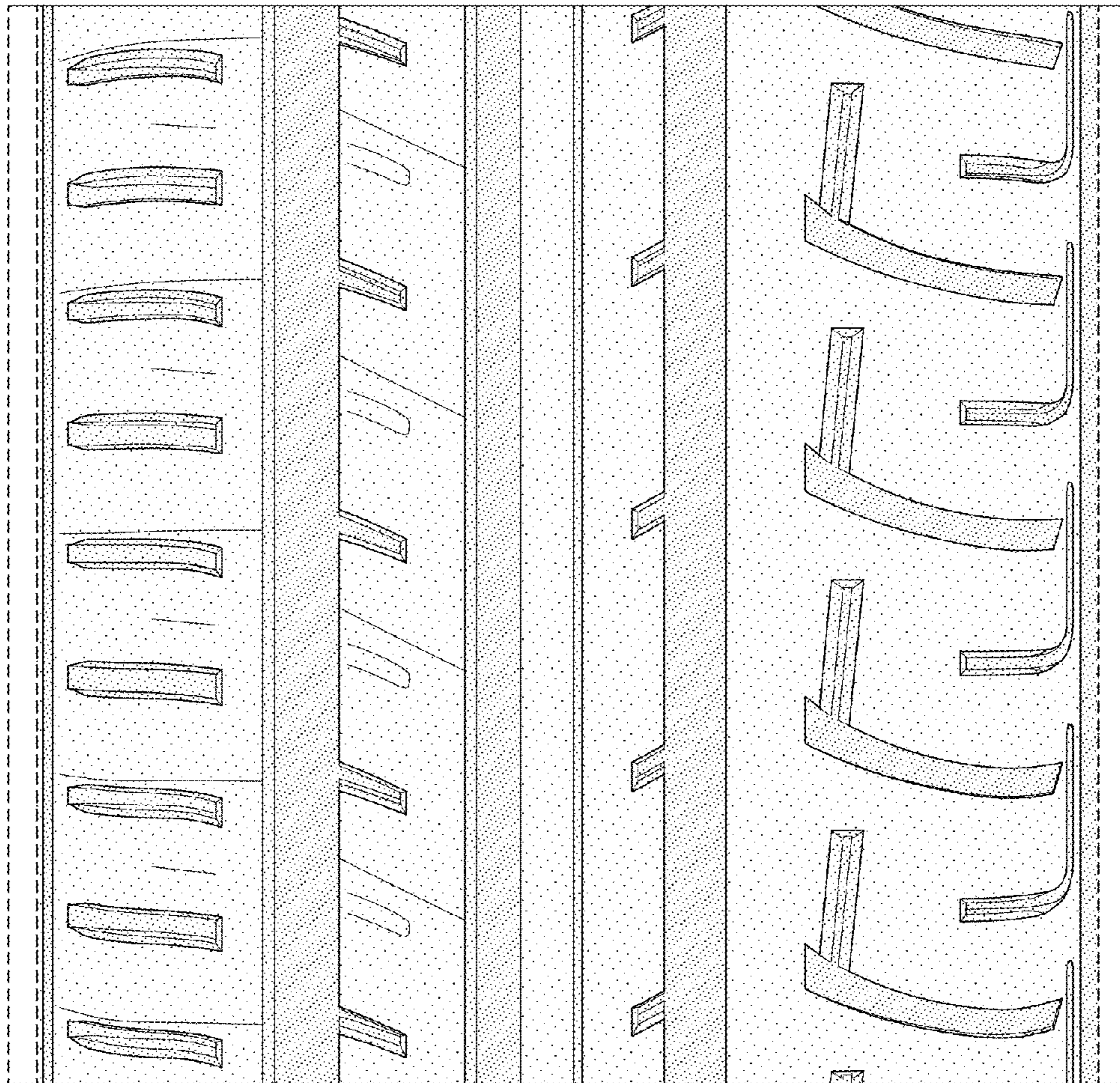


FIG-5

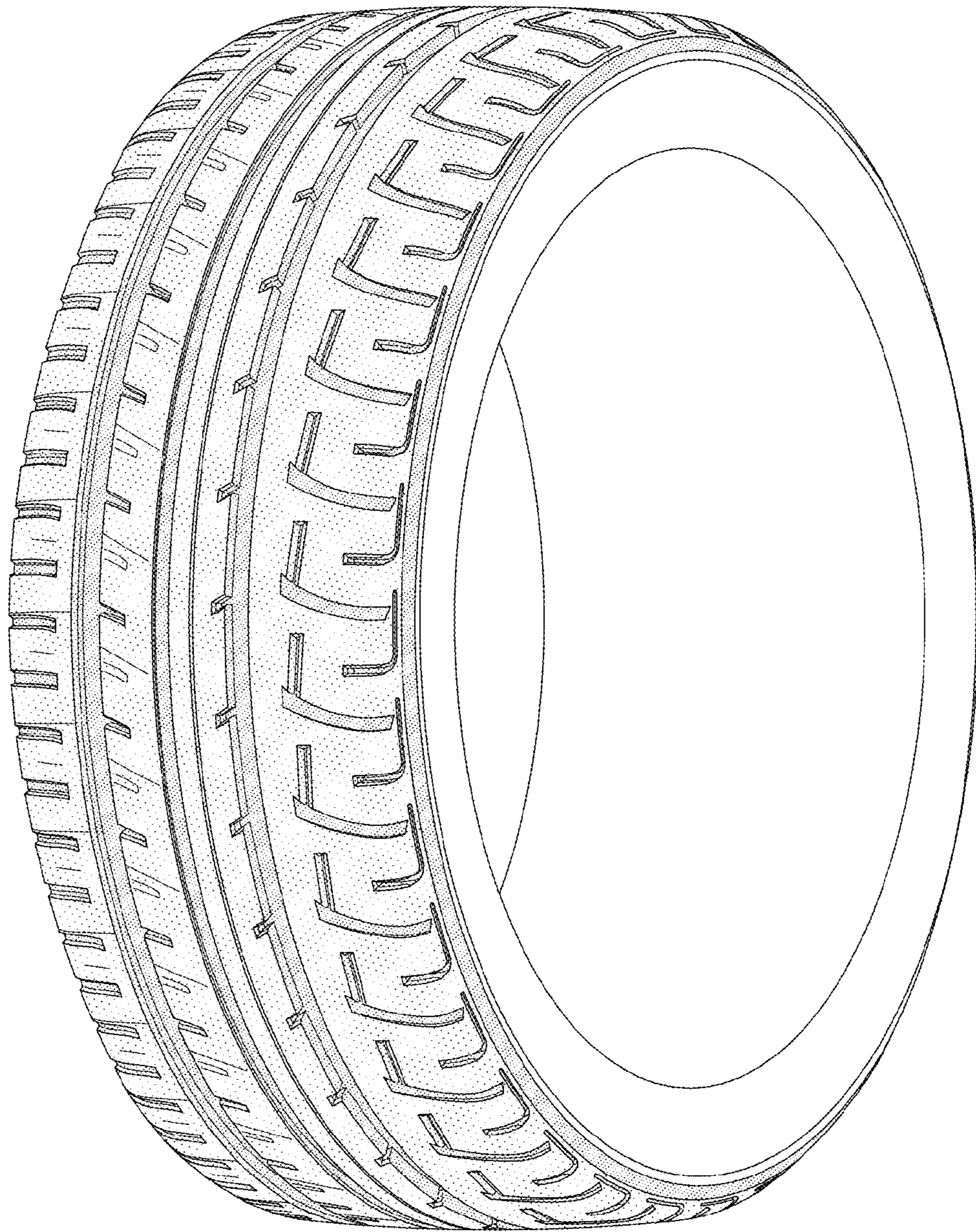


FIG-6



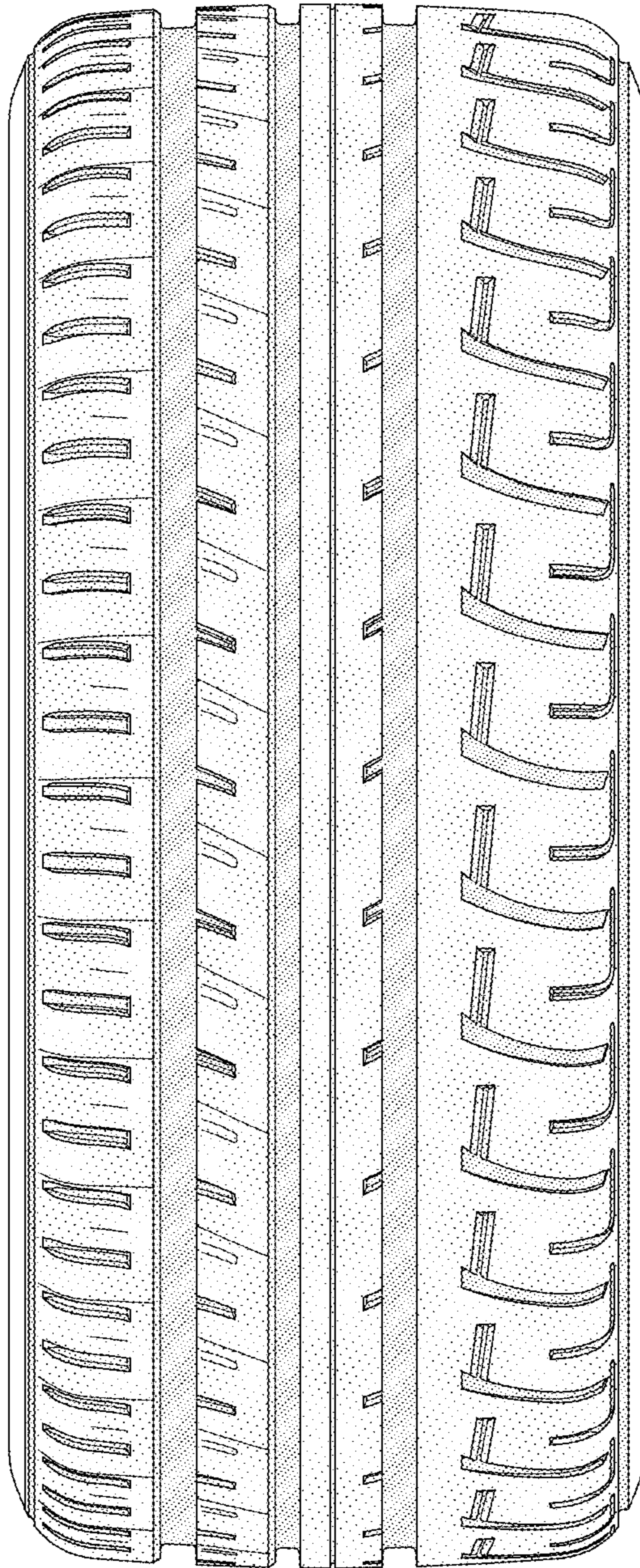


FIG-7