



US00D743873S

(12) **United States Design Patent**
Majerus et al.

(10) **Patent No.:** **US D743,873 S**

(45) **Date of Patent:** **** *Nov. 24, 2015**

- (54) **TIRE**
- (71) Applicant: **The Goodyear Tire & Rubber Company, Akron, OH (US)**
- (72) Inventors: **Julien Dominique Gilbert Majerus, Bastogne (BE); Olivier Francis Bindner, Yutz (FR); Arnaud Caron, Signeulx (BE); Michel Pierre Charles Robert, Sibret (BE); Roel Creton, Folschette (LU)**
- (73) Assignee: **The Goodyear Tire & Rubber Company, Akron, OH (US)**
- (*) Notice: This patent is subject to a terminal disclaimer.
- (**) Term: **14 Years**
- (21) Appl. No.: **29/458,959**
- (22) Filed: **Jun. 25, 2013**
- (51) **LOC (10) Cl.** **12-15**
- (52) **U.S. Cl.**
USPC **D12/523; D12/517**
- (58) **Field of Classification Search**
USPC D12/505–532
CPC B60C 11/0304; B60C 11/0302; B60C 11/0306; B60C 11/0309; B60C 11/0318; B60C 11/0311; B60C 11/042; B60C 11/13; B60C 11/00; B60C 11/11; B60C 11/12
See application file for complete search history.

D558,126 S	12/2007	Shavers et al.	D12/519
D559,767 S	1/2008	Graas et al.	D12/521
D599,276 S	9/2009	Fontaine et al.	D12/519
D601,939 S	10/2009	Fontaine et al.	D12/519
D609,161 S	2/2010	Fontaine et al.	D12/517
D634,699 S	3/2011	Fontaine et al.	D12/517
D644,593 S	9/2011	Fontaine et al.	D12/523
D647,454 S	10/2011	Fabing et al.	D12/518
D650,734 S	12/2011	Mita et al.	D12/517
D654,848 S	2/2012	Yonetsu	D12/519
D662,451 S	6/2012	Schmalix et al.	D12/521
D667,358 S	9/2012	Fontaine et al.	D12/518
D708,116 S *	7/2014	Caron et al.	D12/523

* cited by examiner

Primary Examiner — Stacia Cadmus

(74) *Attorney, Agent, or Firm* — Richard B. O’Planick

(57) **CLAIM**

The ornamental Design for a tire, as shown and described.

DESCRIPTION

FIG. 1 is a perspective view of a tire showing our new design, it being understood that the pattern repeats uniformly throughout the circumference of the tread;

FIG. 2 is a front elevational view thereof;

FIG. 3 is a right side elevational view thereof;

FIG. 4 is a left side elevational view thereof;

FIG. 5 is an enlarged fragmentary front elevational view thereof;

FIG. 6 is a perspective view of a second embodiment of a tire showing our new design, it being understood that the pattern repeats uniformly throughout the circumference of the tread; and,

FIG. 7 is a front elevational view of a second embodiment, it being understood that an enlarged fragmentary view thereof would be substantially identical to that shown in FIG. 5, with the exception of the inclusion of the sidewall in solid lines.

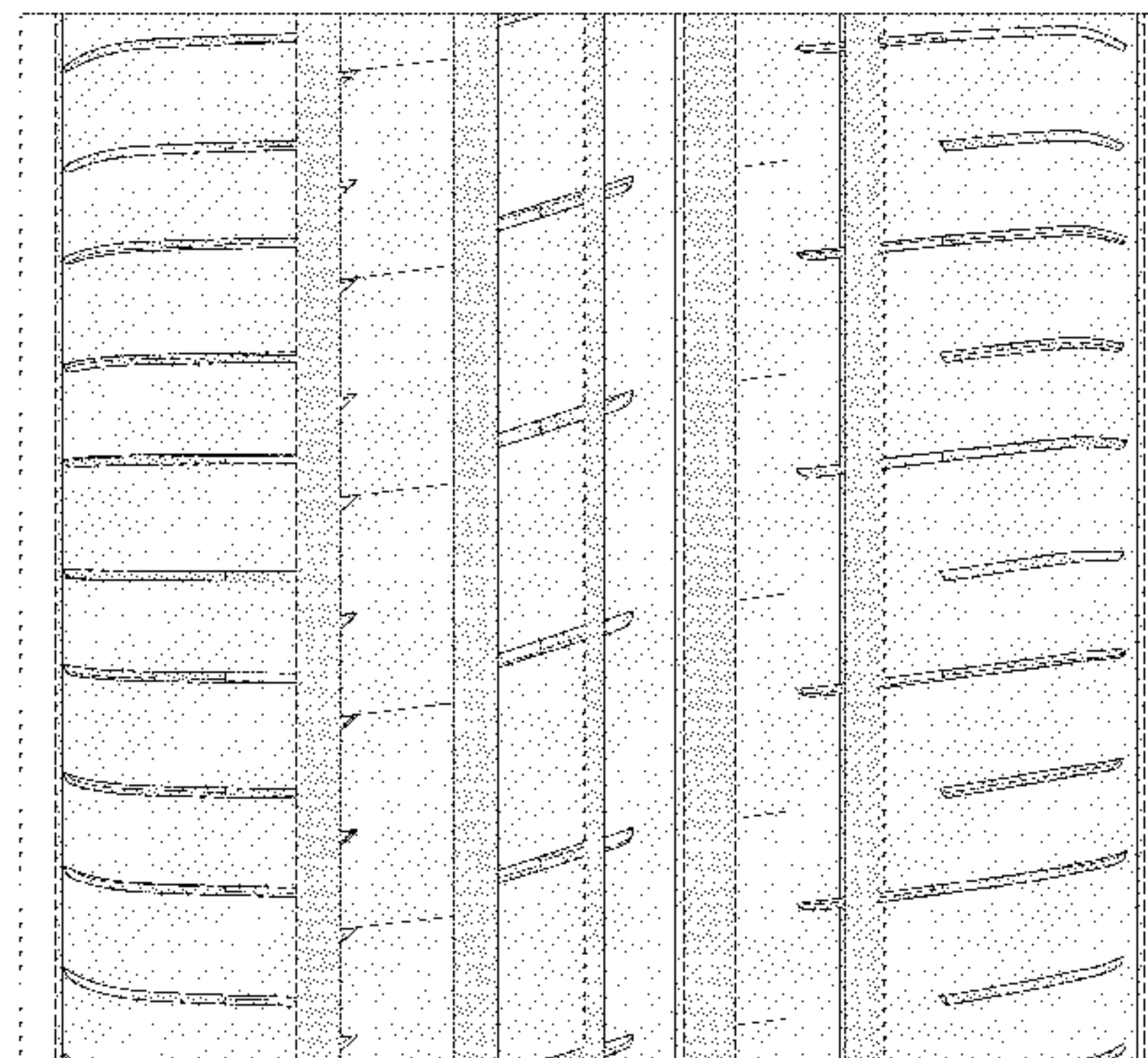
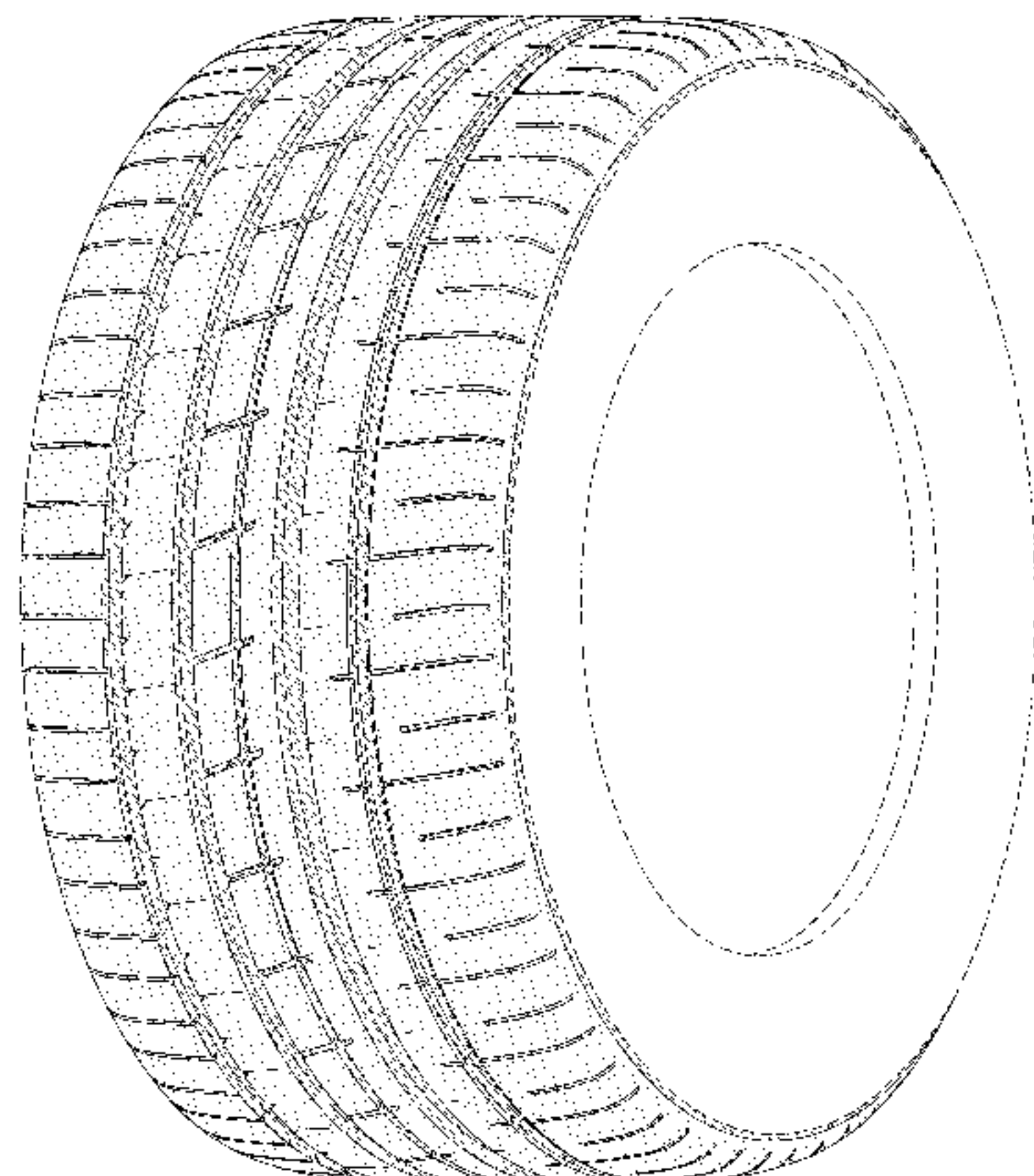
In the drawings, the broken lines showing of the sidewall, inner bead and the peripheral boundary between the tire tread and the sidewall in FIGS. 1 through 5 depict environmental subject matter and form no part of the claimed design.

1 Claim, 7 Drawing Sheets

(56) **References Cited**

U.S. PATENT DOCUMENTS

D313,210 S	12/1990	Tsutsumi et al.	D12/146
D346,350 S	4/1994	Himuro et al.	D12/147
D396,676 S	8/1998	Croyle	D12/147
D423,422 S	4/2000	Selover et al.	D12/146
D451,440 S	12/2001	Weber	D12/146
D451,441 S	12/2001	Weber	D12/146
D453,729 S	2/2002	Demagall et al.	D12/523
D482,323 S	11/2003	Corbin et al.	D12/584
D490,045 S	5/2004	Delu et al.	D12/519
D512,012 S *	11/2005	Delu et al.	D12/517



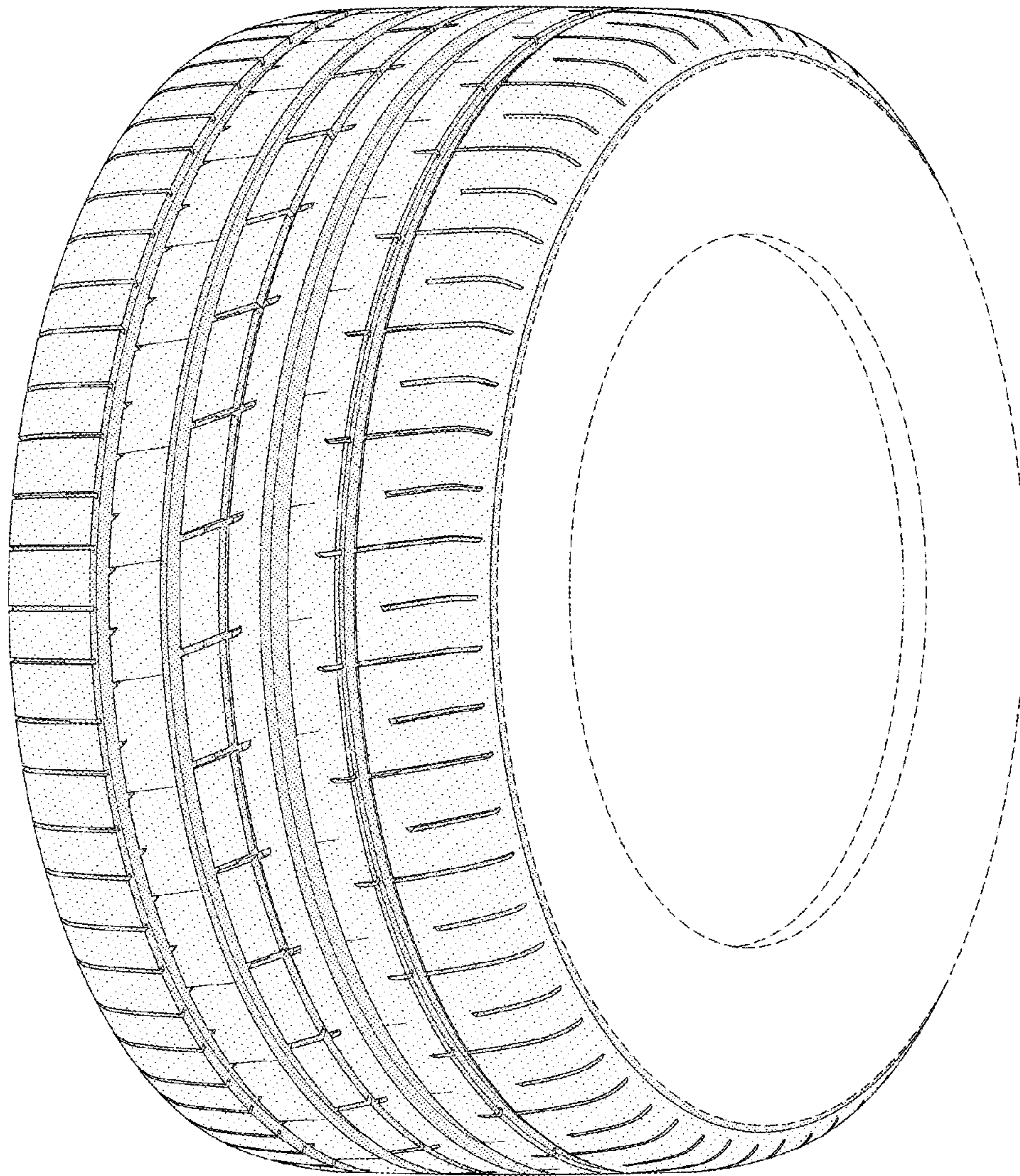


FIG-1

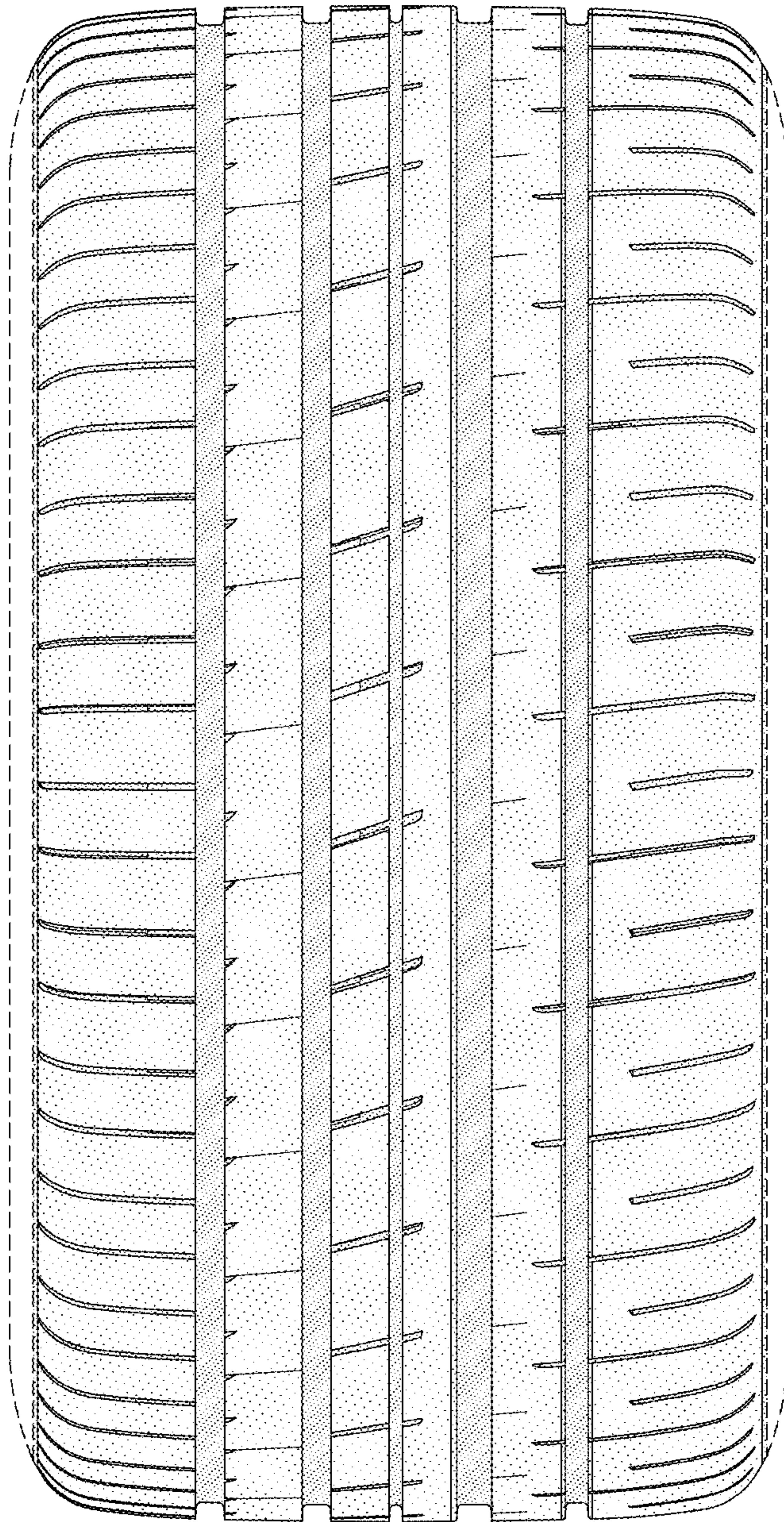


FIG-2

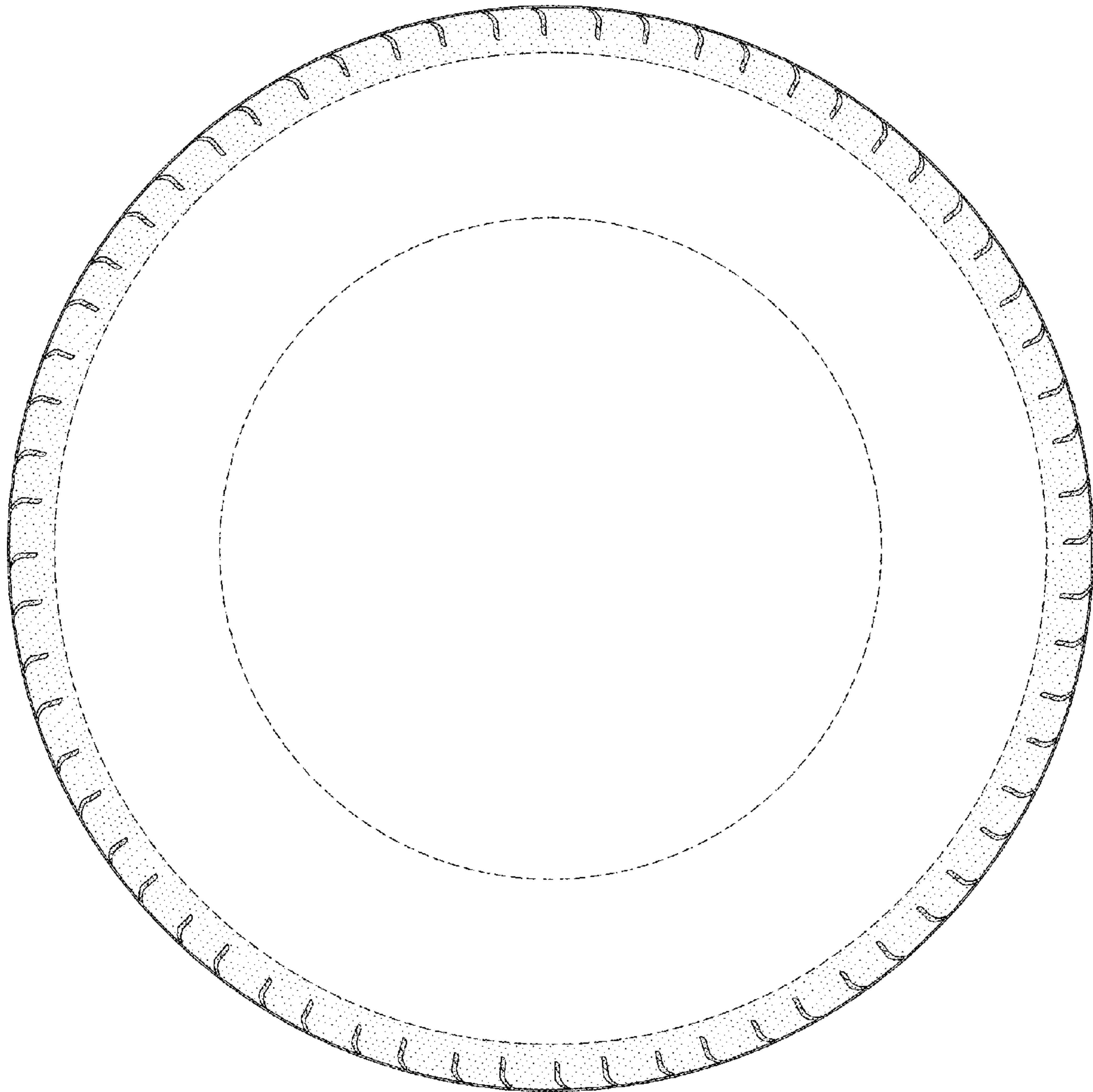


FIG-3

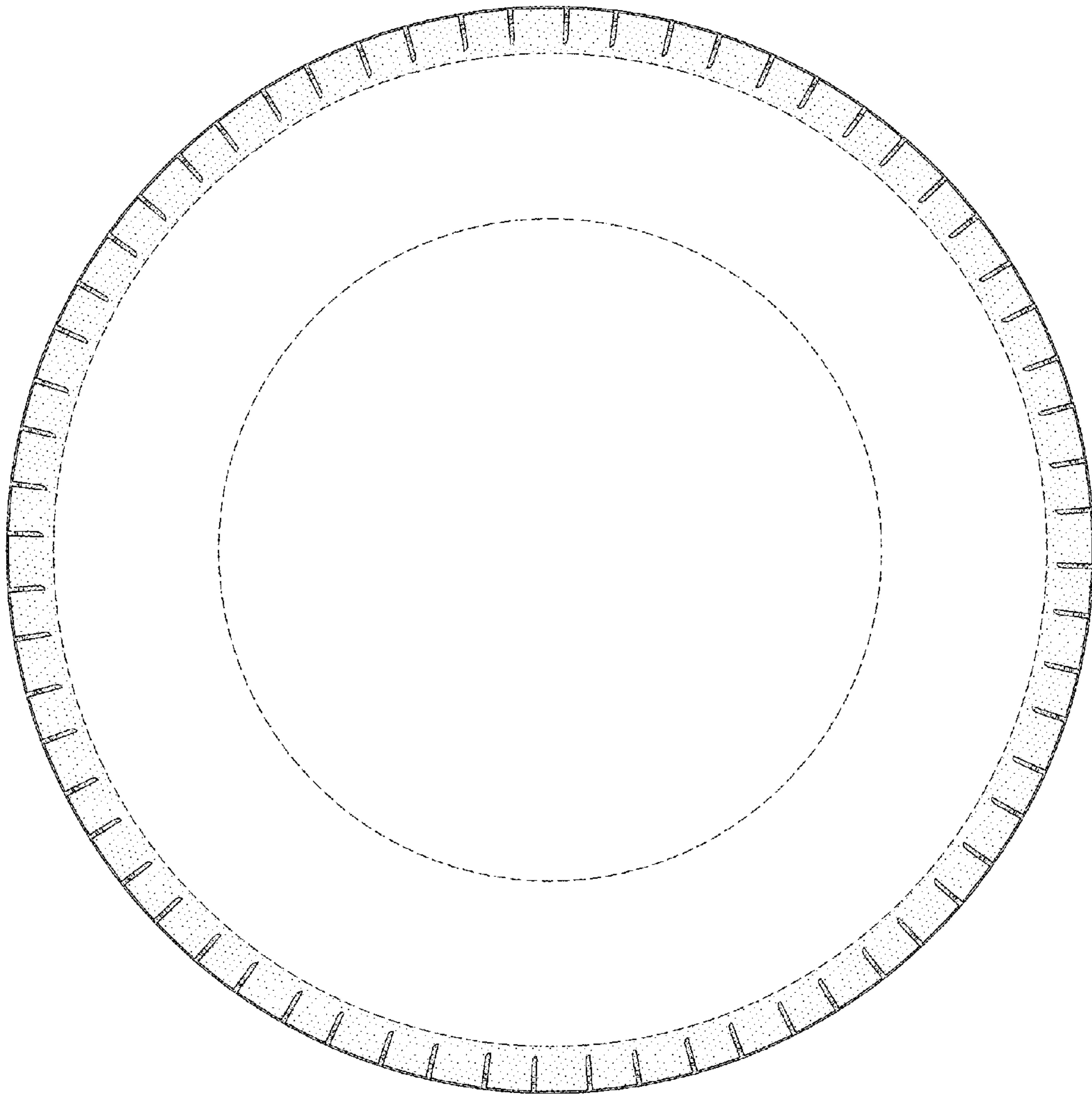


FIG-4

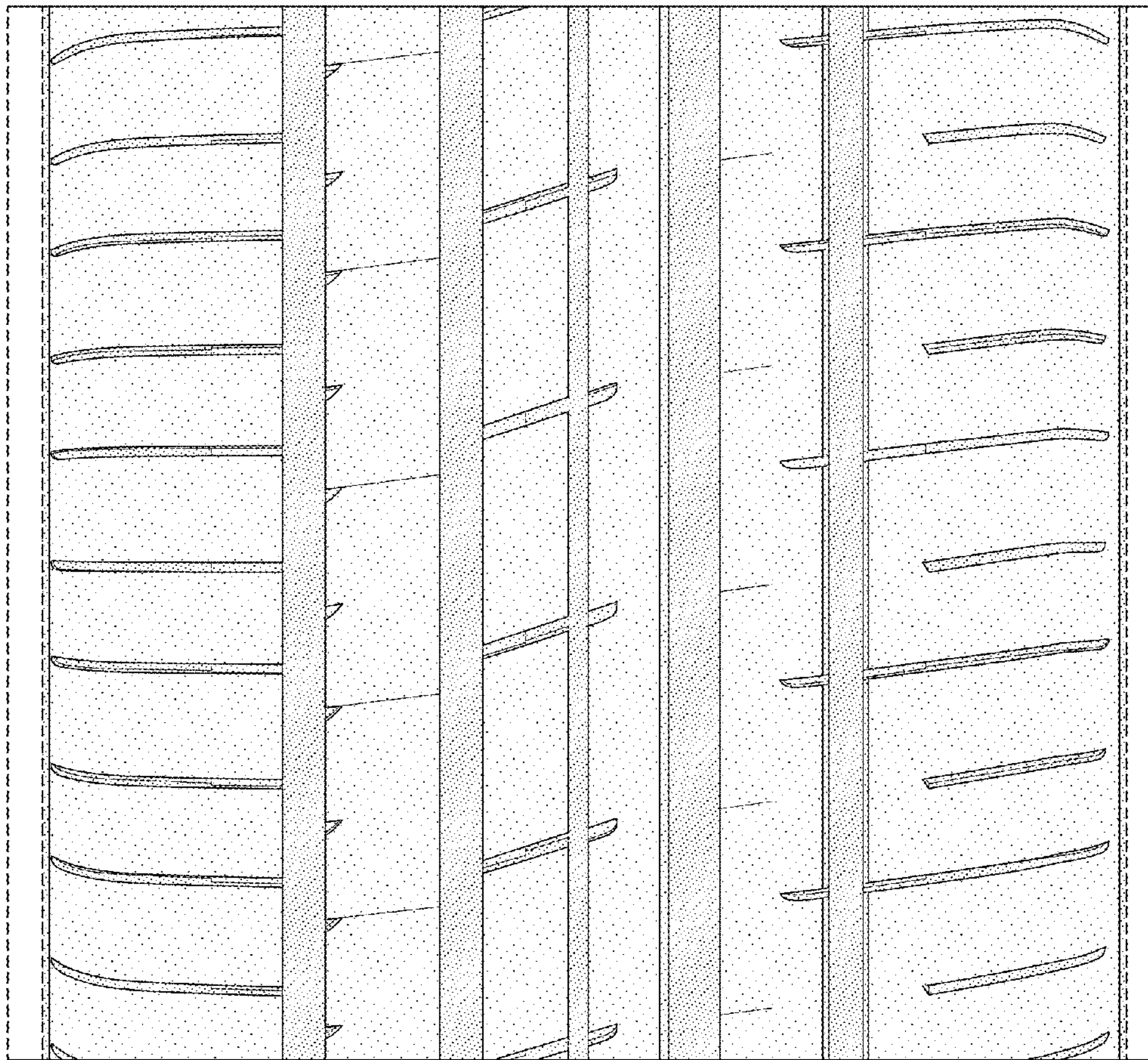


FIG-5

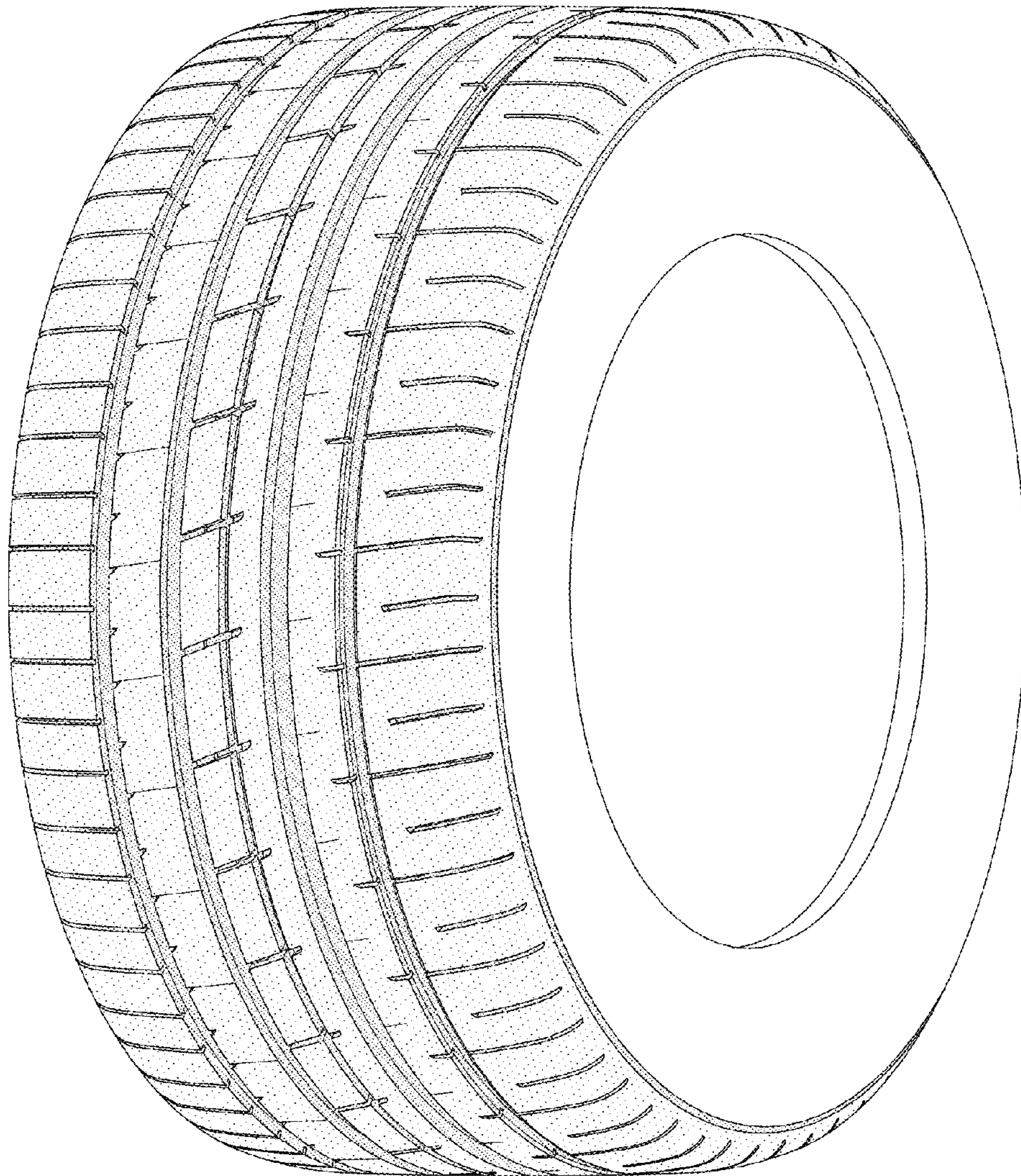


FIG-6

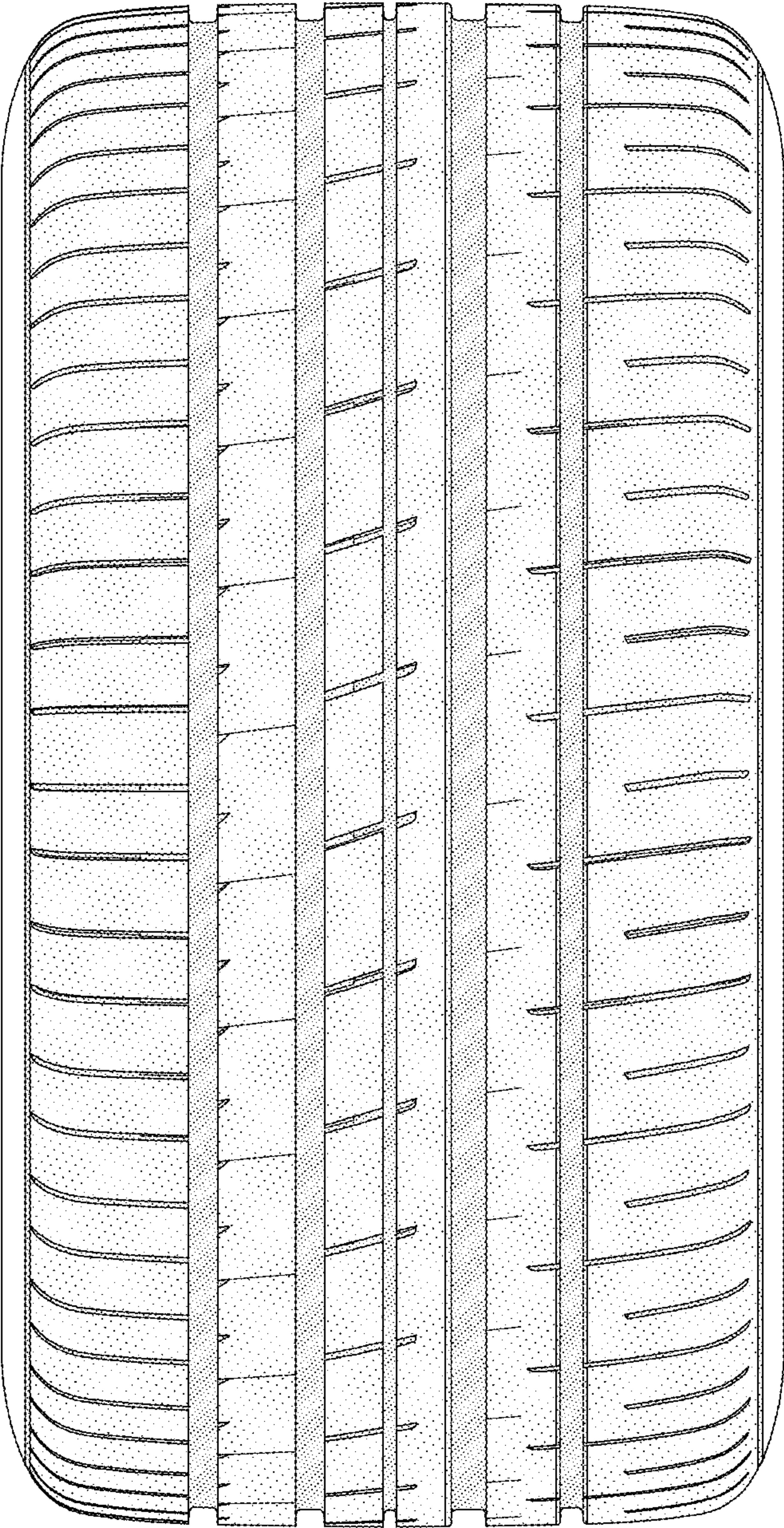


FIG-7