



US00D743869S

(12) **United States Design Patent**
Sloan et al.

(10) **Patent No.:** **US D743,869 S**

(45) **Date of Patent:** **** Nov. 24, 2015**

(54) **REAR MOUNT CONTAINER**

2014/0061266 A1* 3/2014 Milton et al. 224/404
2014/0137953 A1 5/2014 Gibb et al.
2014/0251479 A1 9/2014 Gibb et al.

(71) Applicant: **Agility Fuel Systems, Inc.**, Fontana
(CA)

FOREIGN PATENT DOCUMENTS

(72) Inventors: **Todd Sloan**, Kelowna (CA); **Chris Forsberg**, Kelowna (CA); **Jason Laycock**, Kelowna (CA)

WO WO 2014/081833 A1 5/2014

* cited by examiner

(73) Assignee: **AGILITY FUEL SYSTEMS, INC.**,
Fontana, CA (US)

Primary Examiner — Katrina A Betton

(74) *Attorney, Agent, or Firm* — Wilson Sonsini Goodrich &
Rosati

(**) Term: **14 Years**

(57) **CLAIM**

(21) Appl. No.: **29/473,057**

The ornamental design for a rear mount container, as shown and described.

(22) Filed: **Nov. 18, 2013**

DESCRIPTION

(51) **LOC (10) Cl.** **12-16**

(52) **U.S. Cl.**
USPC **D12/400**

(58) **Field of Classification Search**
USPC D12/400, 415, 423, 218
See application file for complete search history.

FIG. 1 is a rear perspective view of the rear mount container, showing our new design;
FIG. 2 is a right perspective view thereof;
FIG. 3 is a rear perspective view thereof;
FIG. 4 is a front elevational view thereof;
FIG. 5 is a rear elevational view thereof;
FIG. 6 is a right elevational view thereof;
FIG. 7 is a left elevational view thereof;
FIG. 8 is a top plan view thereof;
FIG. 9 is a bottom plan view thereof;
FIG. 10 is a left side perspective view thereof, in accordance with an alternative embodiment;
FIG. 11 is a left elevational view thereof, in accordance with an alternative embodiment; and,
FIG. 12 is a right elevational view thereof, in accordance with an alternative embodiment.

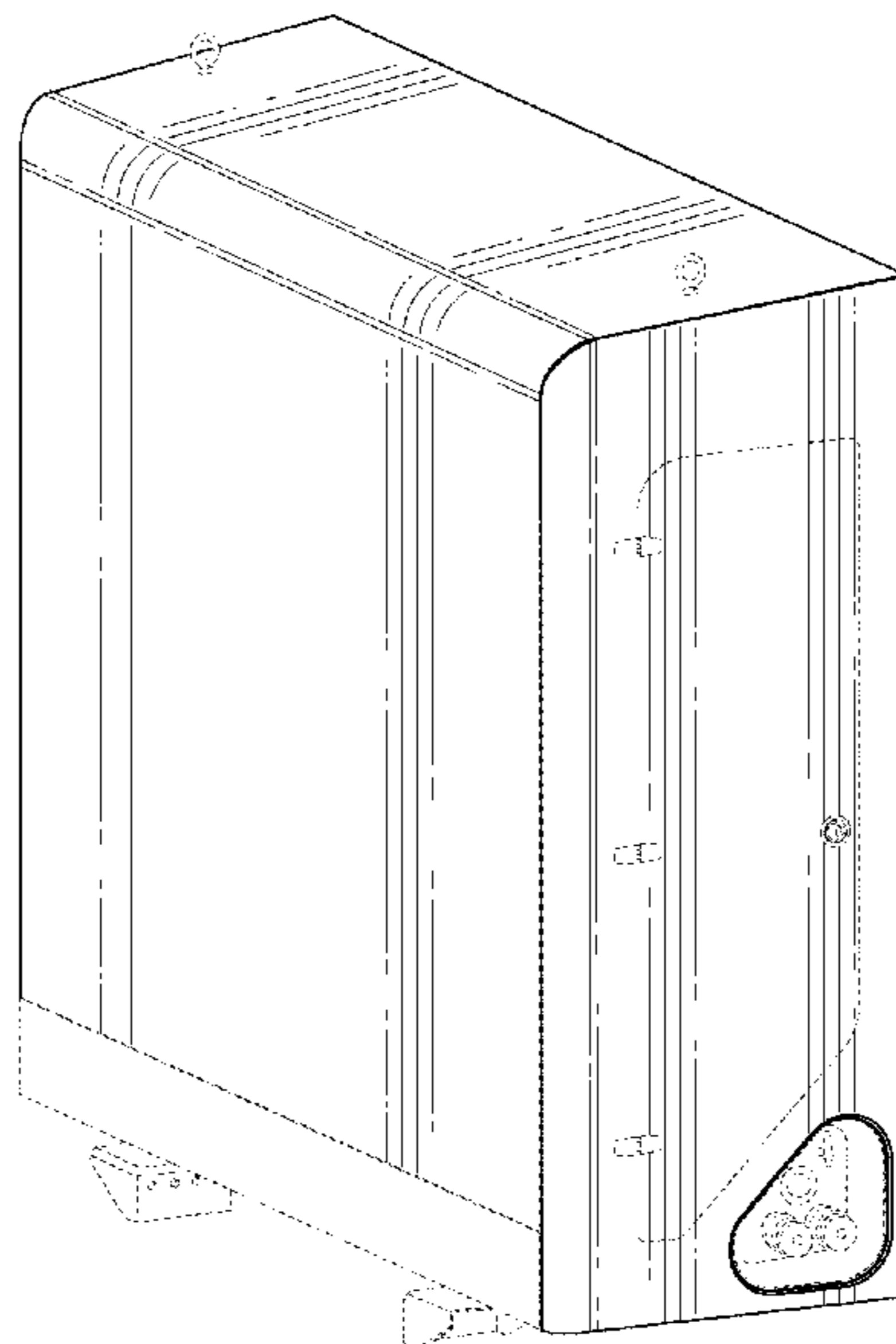
The broken lines in FIGS. 1-12 are for illustrative purposes only and form no part of the claimed design.

(56) **References Cited**

U.S. PATENT DOCUMENTS

6,168,058 B1* 1/2001 Janek 224/527
6,257,360 B1 7/2001 Wozniak et al.
6,698,995 B1* 3/2004 Bik et al. 414/462
6,802,441 B1* 10/2004 DuRant et al. 224/513
6,845,895 B2* 1/2005 Jones et al. 224/585
8,534,403 B2 9/2013 Pursifull
D701,814 S* 4/2014 Merchant et al. D12/218
8,777,542 B2* 7/2014 Daneshvar 414/462
8,807,256 B2 8/2014 Gibb et al.
8,820,598 B2* 9/2014 Tennyson et al. 224/509
9,073,489 B2* 7/2015 Vicente et al. 1/1
2008/0098939 A1* 5/2008 Kalous et al. 109/52
2011/0288738 A1 11/2011 Donnelly et al.

1 Claim, 11 Drawing Sheets



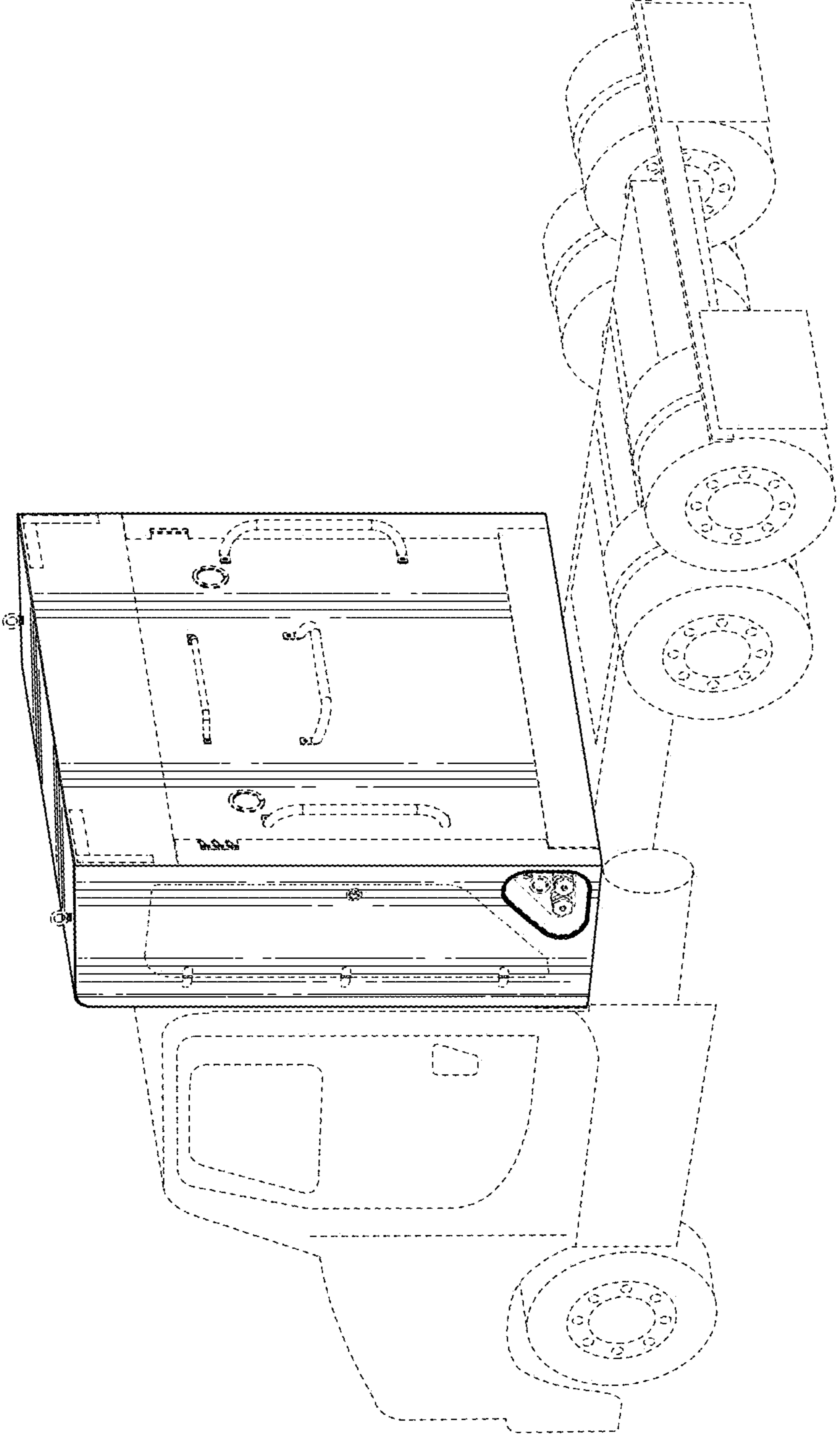


FIG. 1

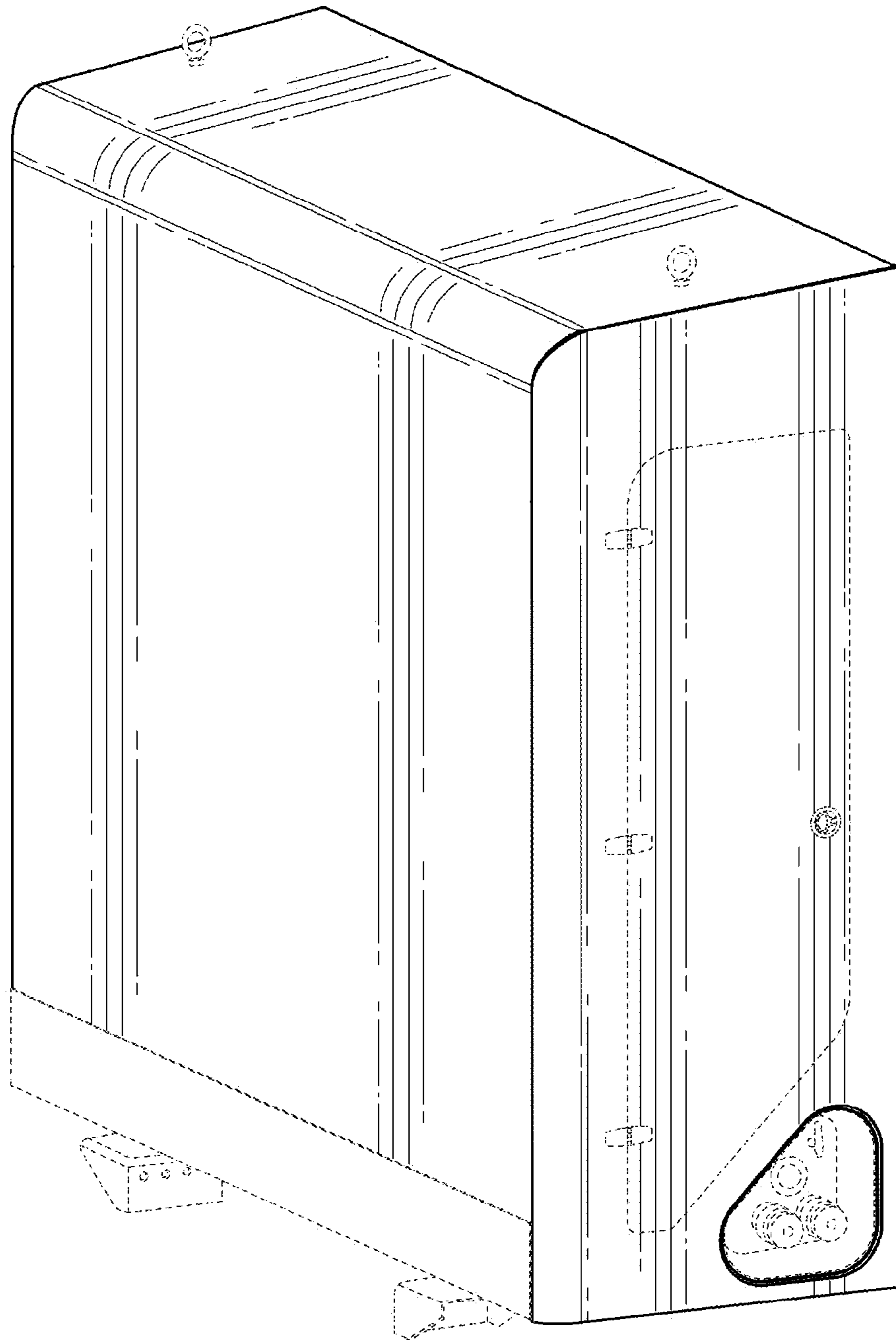


FIG. 2

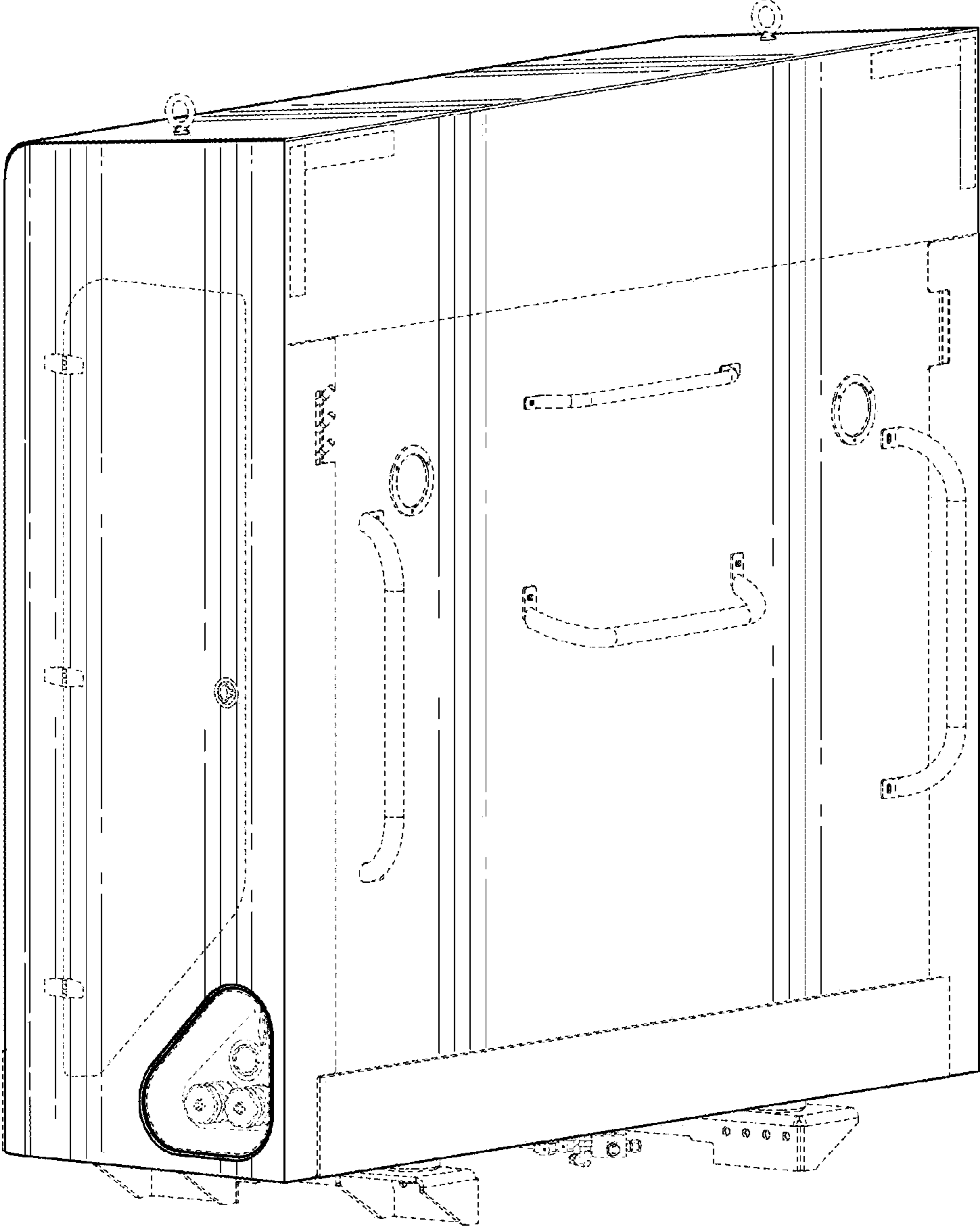


FIG. 3

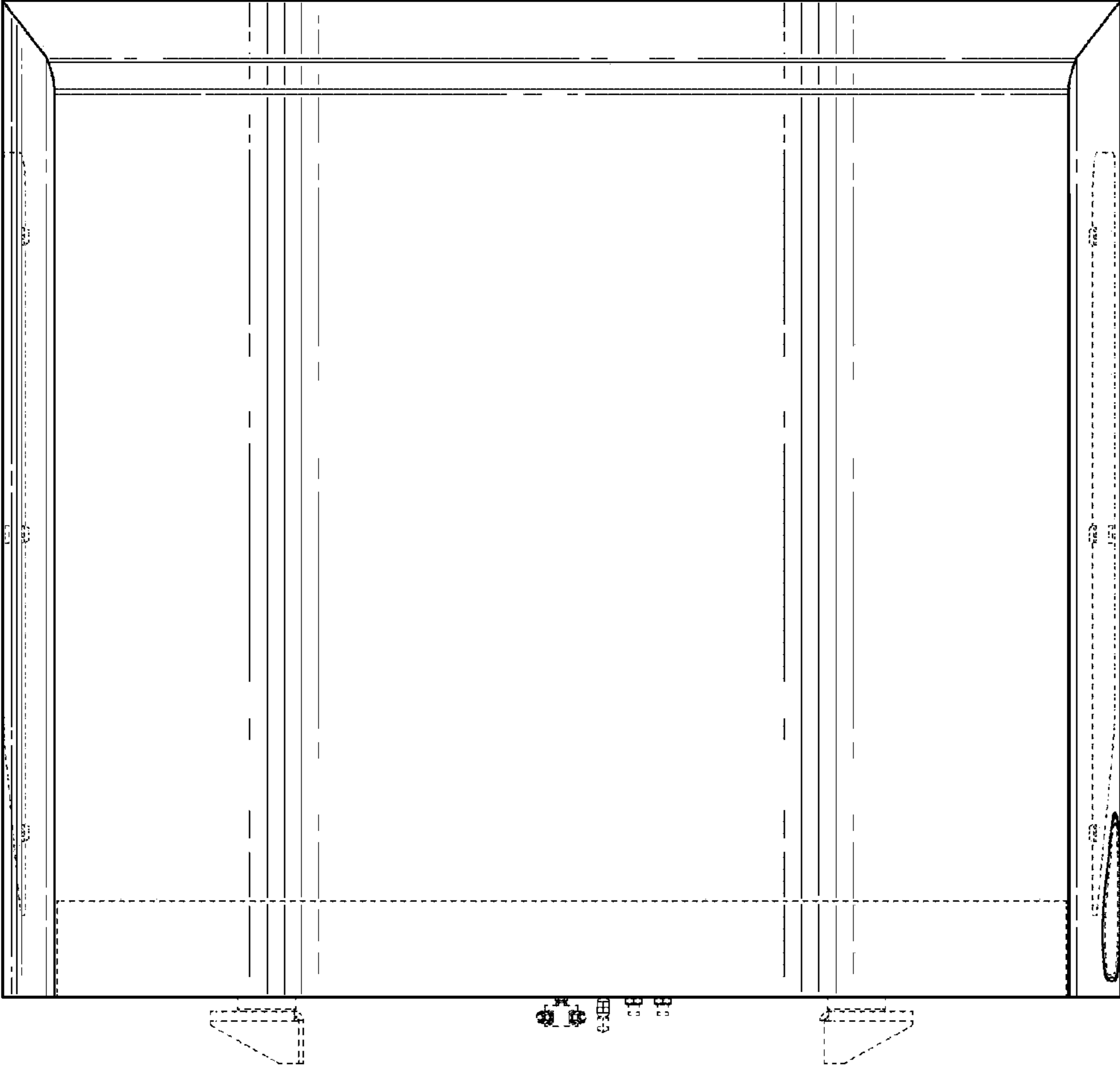


FIG. 4

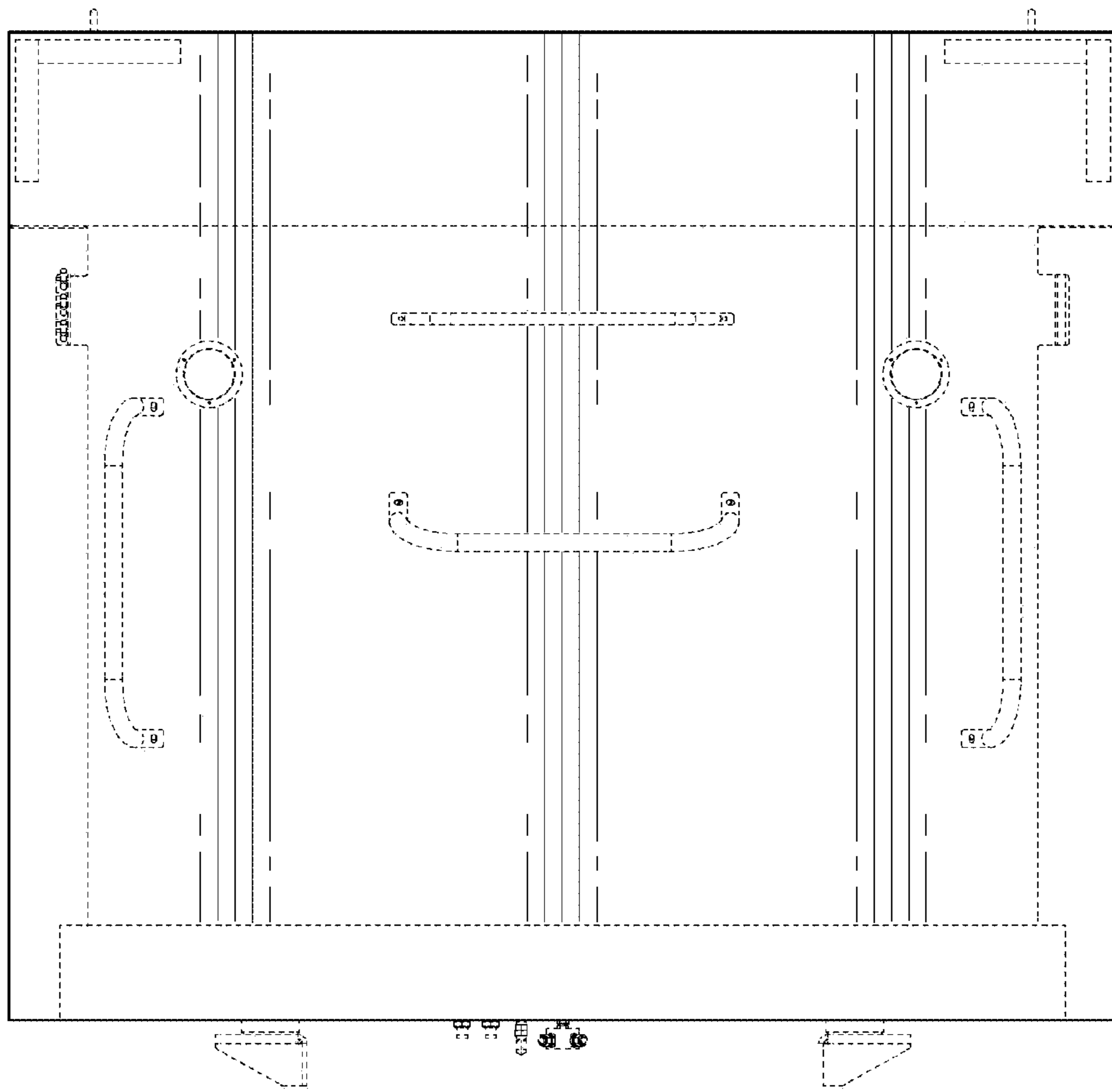


FIG. 5

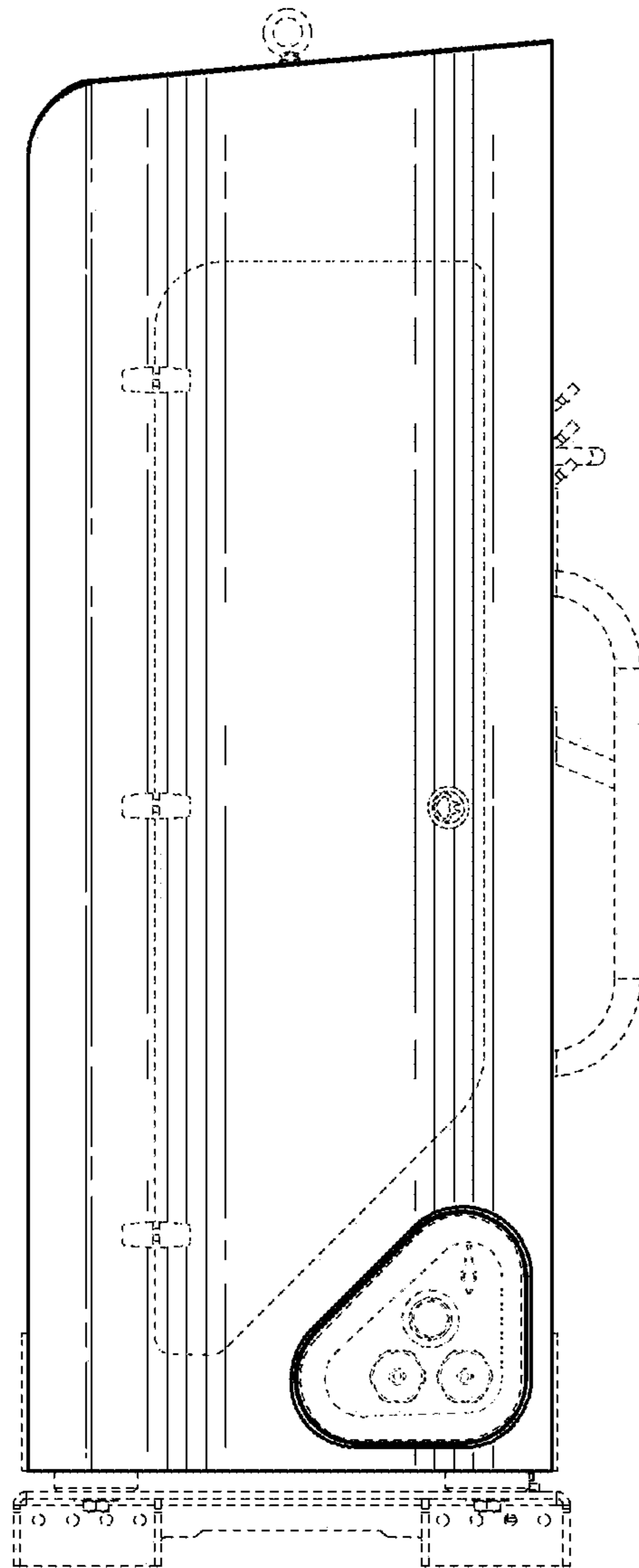


FIG. 6

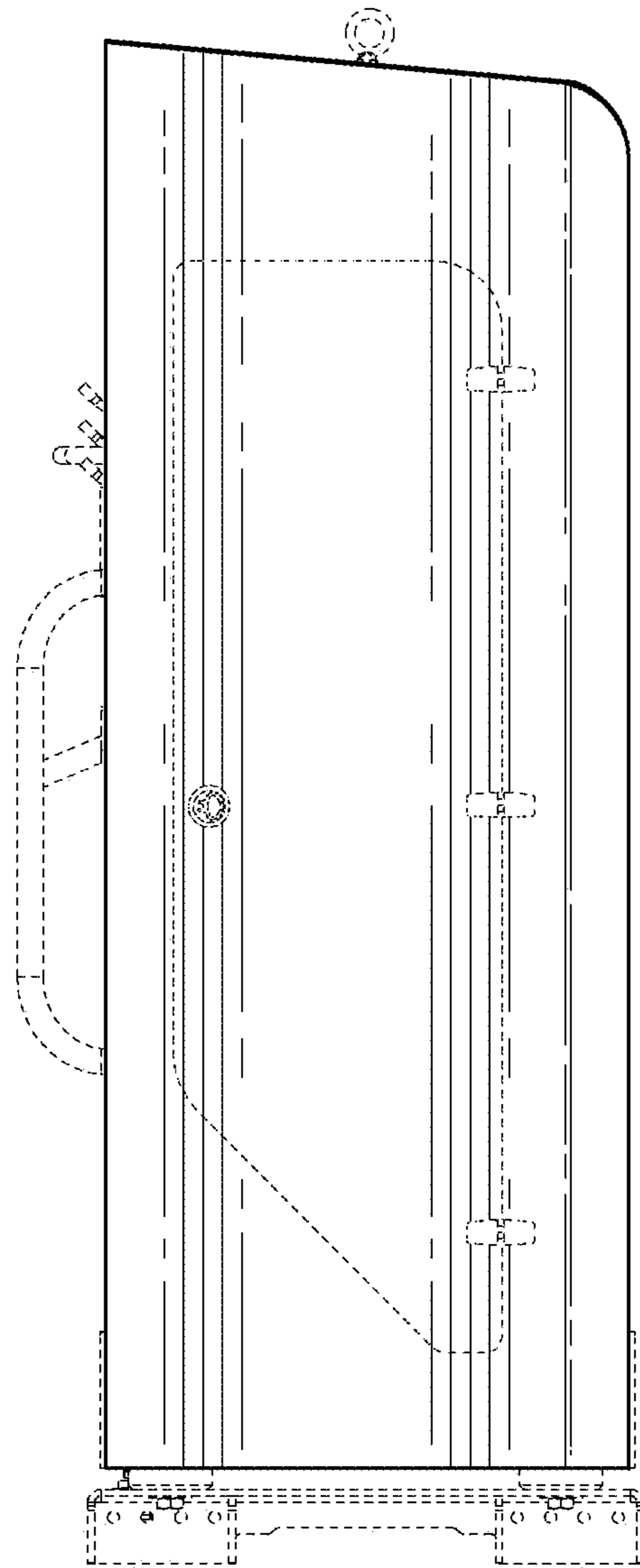


FIG. 7

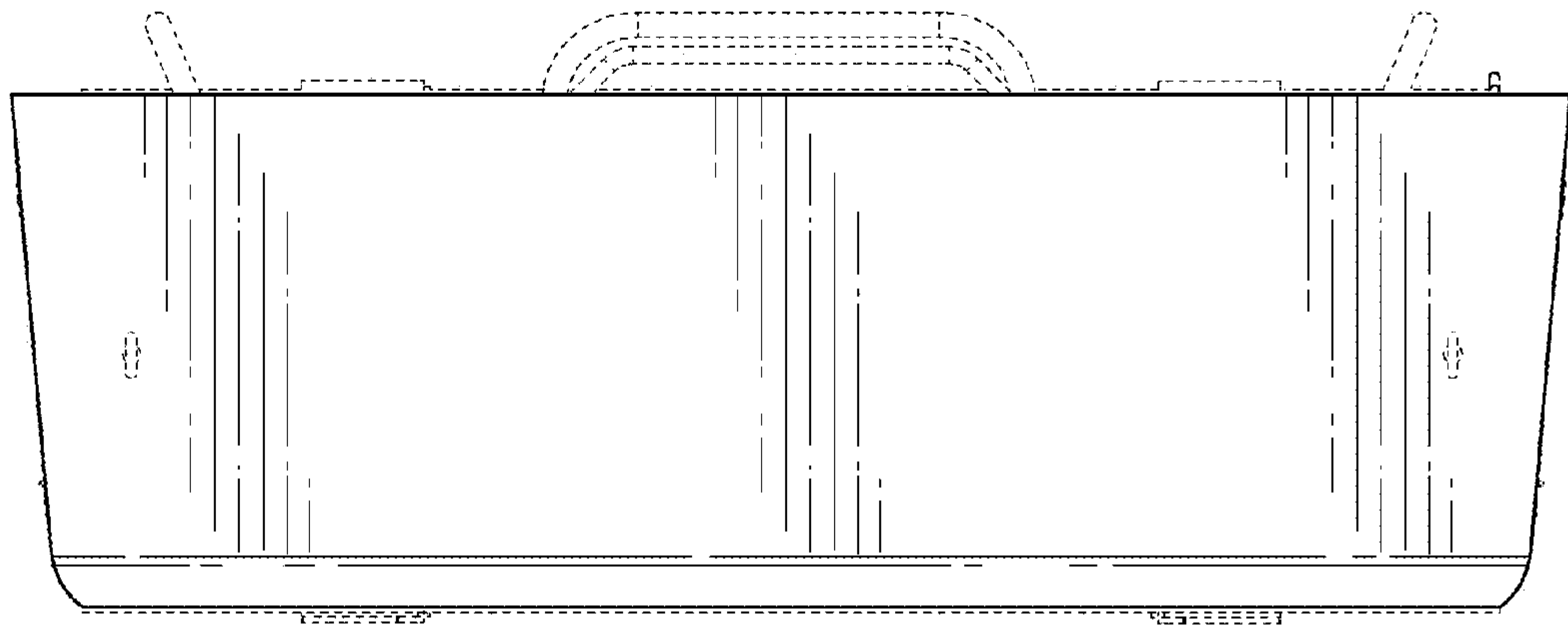


FIG. 8

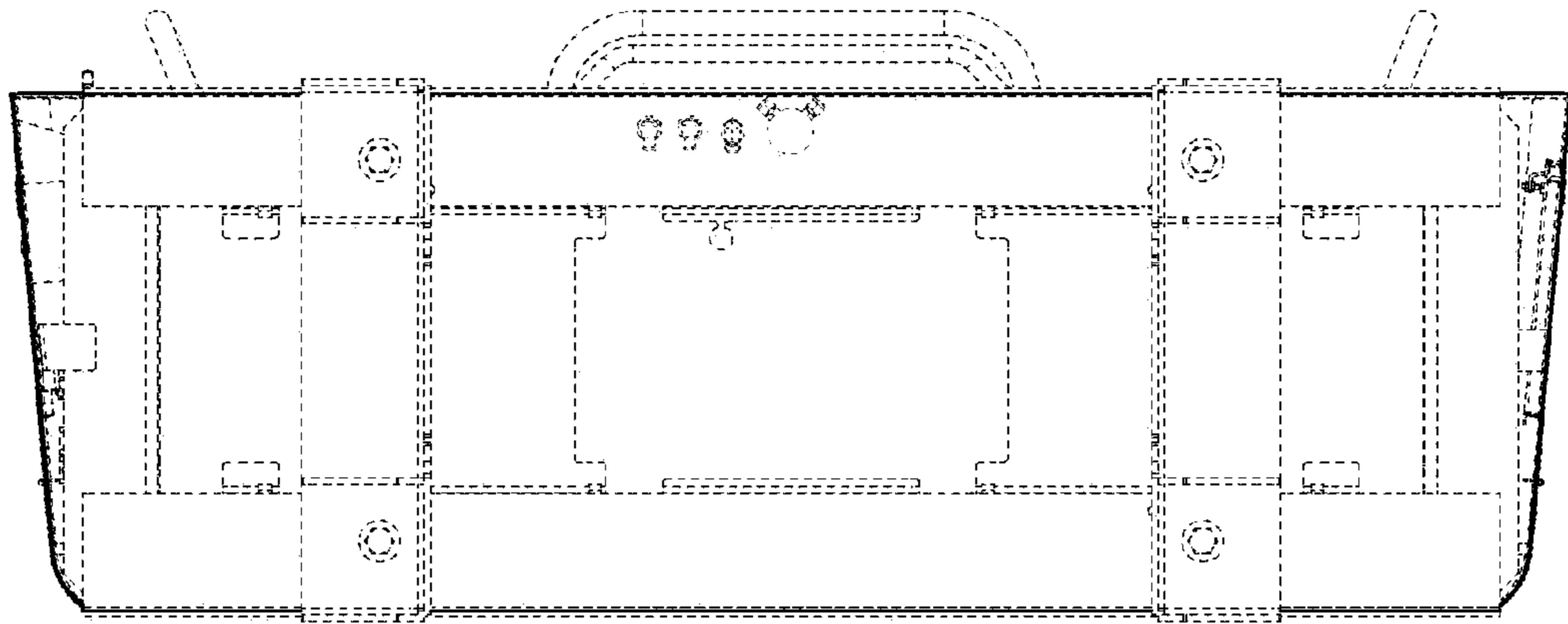


FIG. 9

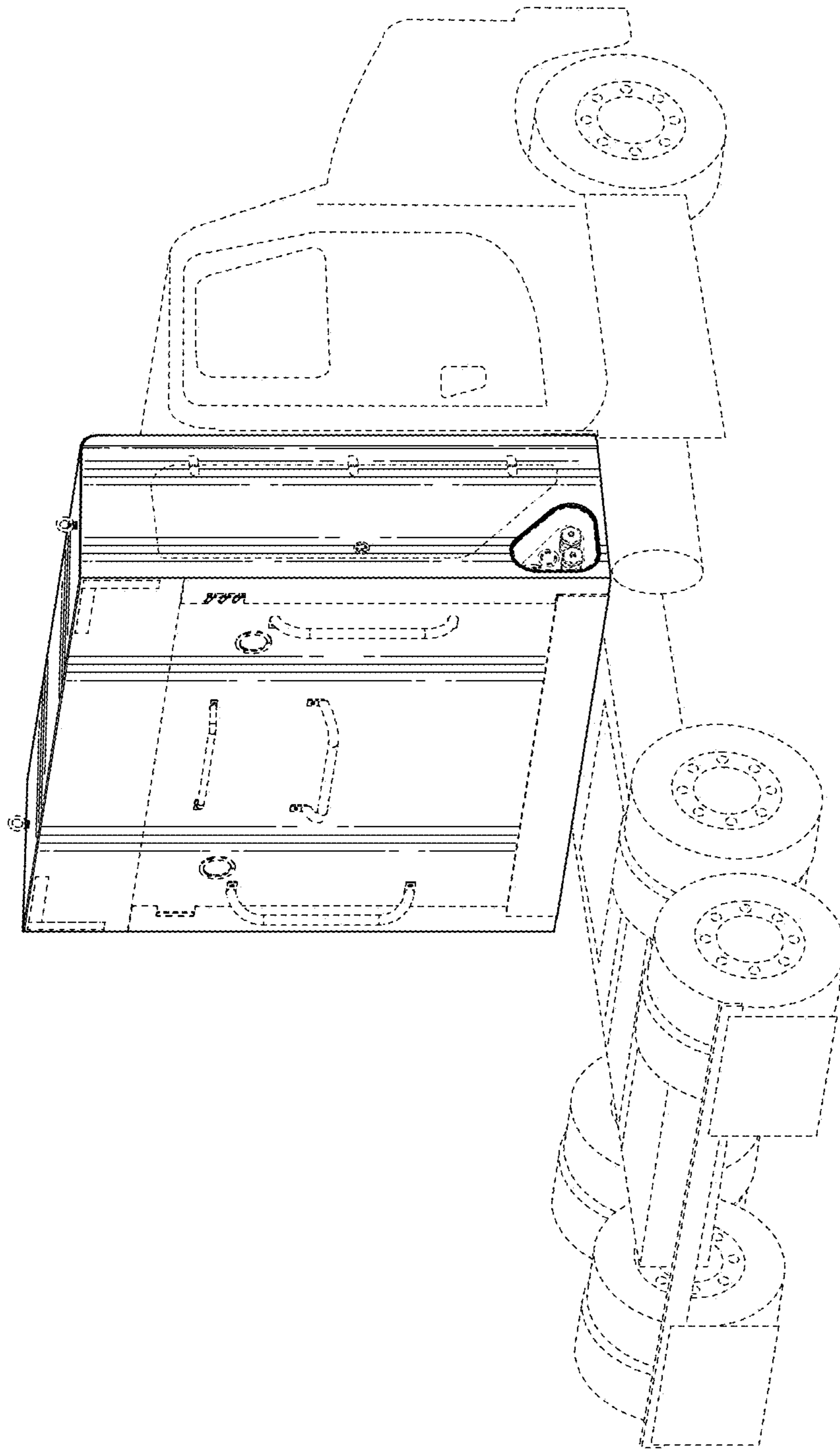


FIG. 10

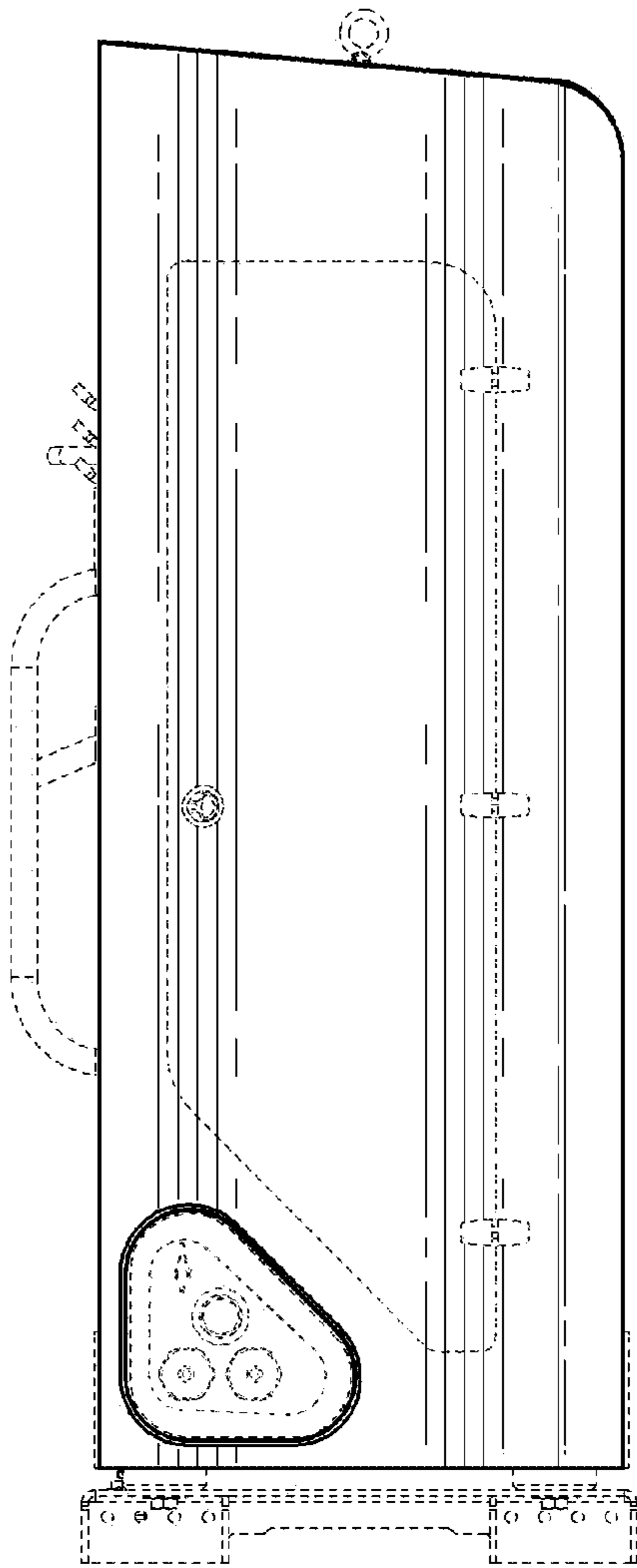


FIG. 11

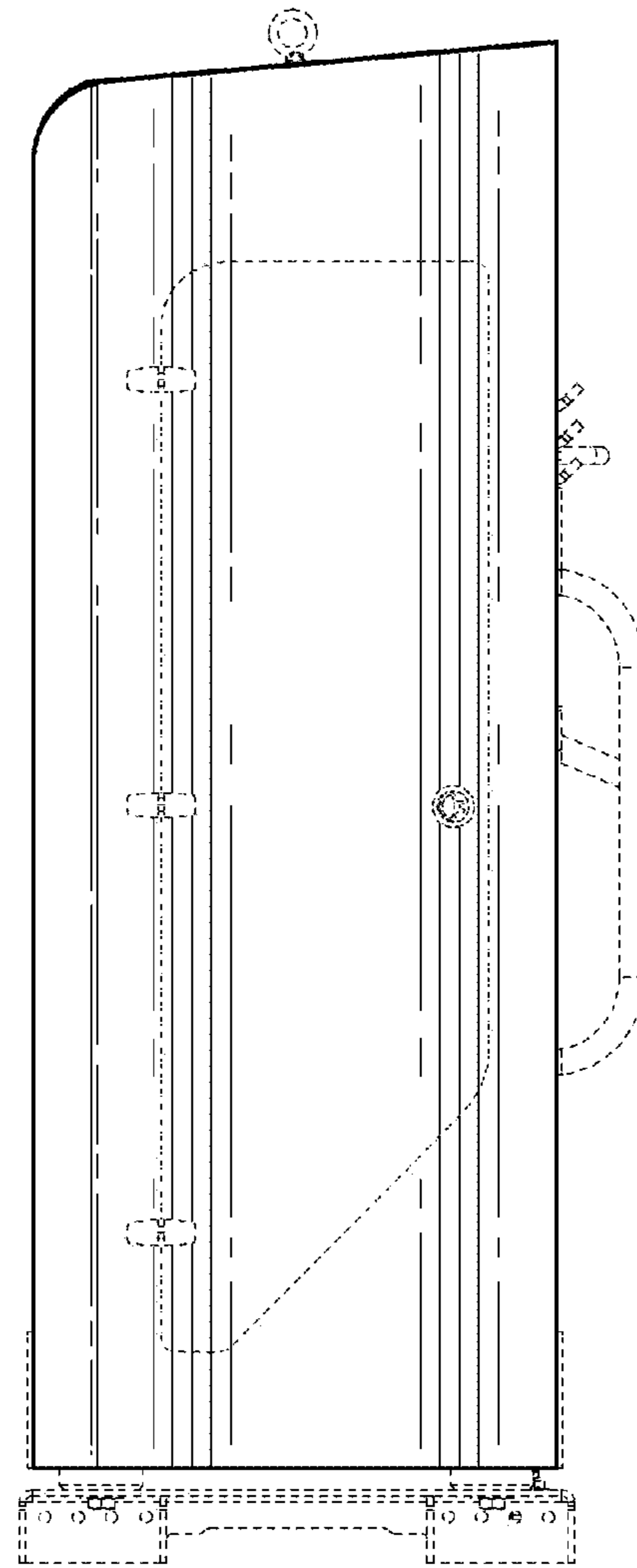


FIG. 12