



US00D743863S

(12) **United States Design Patent**
Finney et al.

(10) **Patent No.:** **US D743,863 S**

(45) **Date of Patent:** **** Nov. 24, 2015**

(54) **VEHICLE COMPONENT**

(56) **References Cited**

(71) Applicant: **Jaguar Land Rover Limited**, Coventry (GB)

U.S. PATENT DOCUMENTS

(72) Inventors: **Nicolas Finney**, Warwickshire (GB);
Mark Butler, Warwickshire (GB)

D712,327 S *	9/2014	Tanaka et al.	D12/195
D712,813 S *	9/2014	Tanaka et al.	D12/195
D714,700 S *	10/2014	Yamamoto	D12/195
D715,204 S *	10/2014	Peltola et al.	D12/195
D716,210 S *	10/2014	Ishikawa et al.	D12/195
D716,710 S *	11/2014	Setina	D12/195
D719,884 S *	12/2014	Peltola et al.	D12/195
D720,267 S *	12/2014	Norman et al.	D12/195
D721,023 S *	1/2015	Wiedeman et al.	D12/195
D722,933 S *	2/2015	Ishikawa et al.	D12/195
D726,082 S *	4/2015	Finney et al.	D12/195

(73) Assignee: **Jaguar Land Rover Limited** (GB)

(**) Term: **14 Years**

(21) Appl. No.: **29/500,238**

(22) Filed: **Aug. 22, 2014**

* cited by examiner

Related U.S. Application Data

(62) Division of application No. 29/435,056, filed on Oct. 18, 2012, now Pat. No. Des. 726,082.

Primary Examiner — Katrina A Betton

(74) *Attorney, Agent, or Firm* — Fishman Stewart Yamaguchi PLLC

(30) **Foreign Application Priority Data**

Apr. 19, 2012 (EM) 002029447
Aug. 13, 2012 (EM) 002087304

(57) **CLAIM**

We claim the ornamental design for vehicle component, as shown and described.

(51) **LOC (10) Cl.** **12-08**

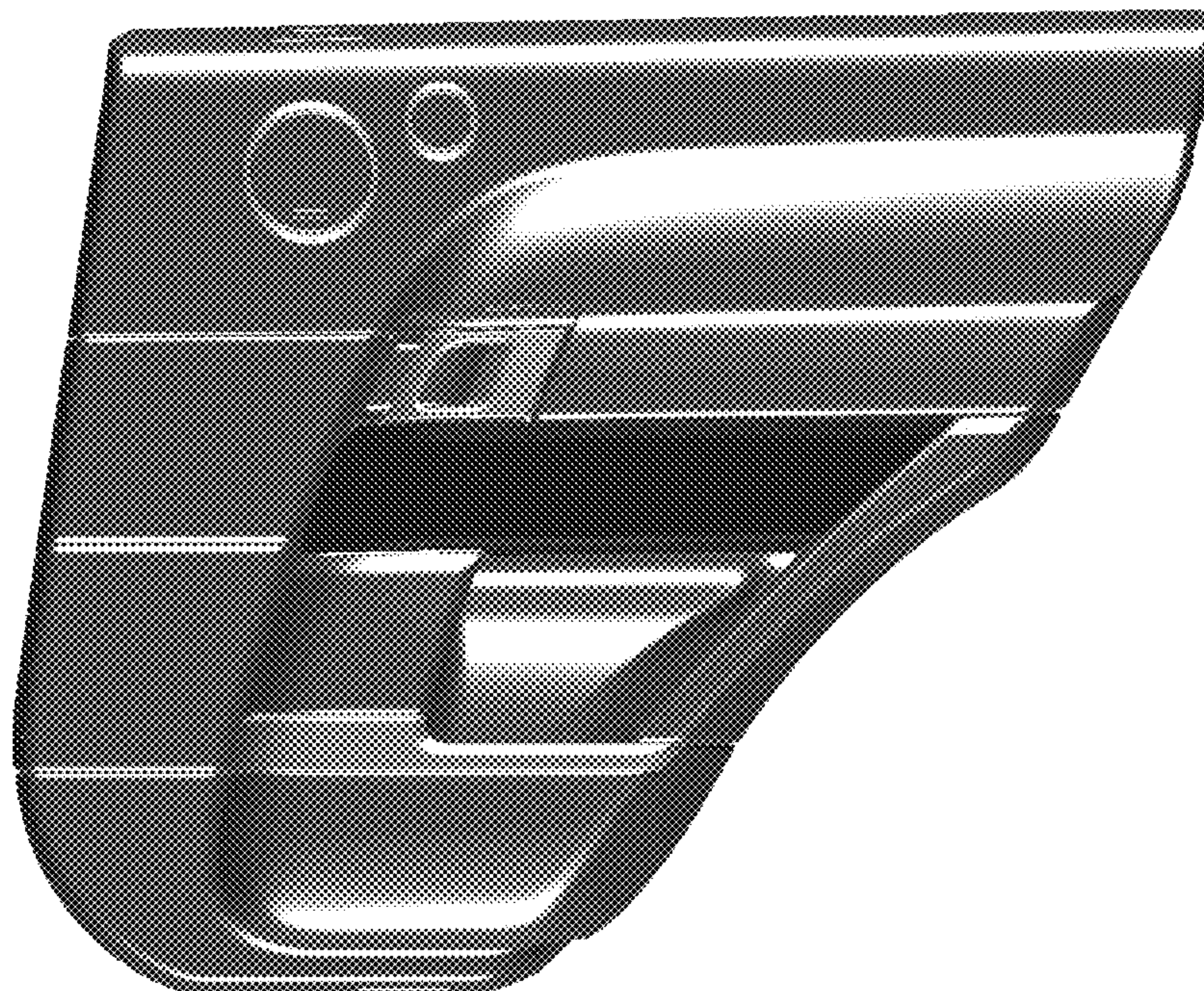
(52) **U.S. Cl.**
USPC **D12/195**

DESCRIPTION

(58) **Field of Classification Search**
USPC D12/195, 193, 414, 190, 196; D15/17,
D15/28; D10/46, 98, 102-103; D8/302-303
See application file for complete search history.

FIG. 1 is a rear perspective view of a rear door vehicle component;
FIG. 2 is a front perspective view of the rear door vehicle component; and,
FIG. 3 is a front view of the rear door vehicle component.

1 Claim, 3 Drawing Sheets



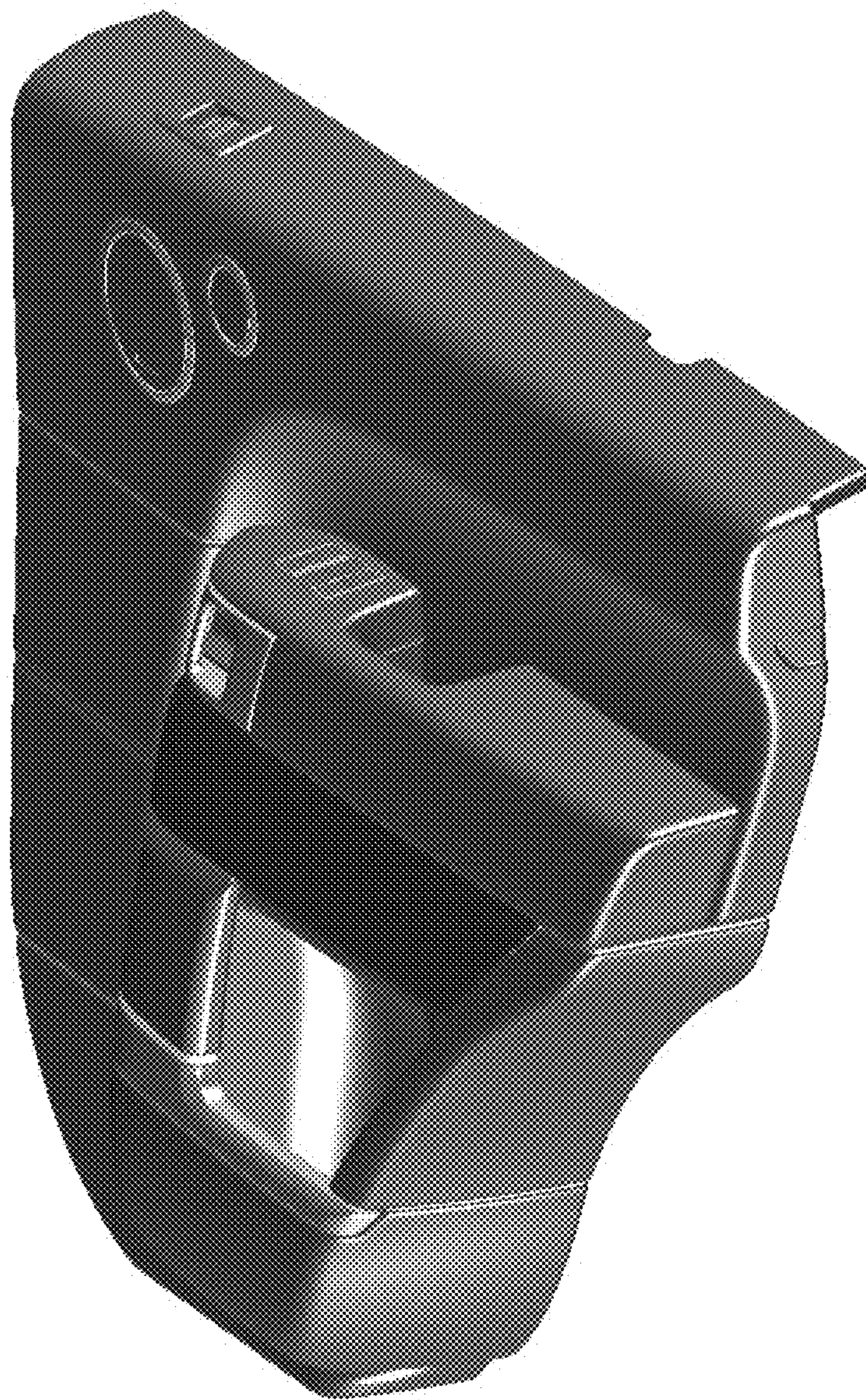


FIG. 1



FIG. 2



FIG. 3