



US00D743861S

(12) **United States Design Patent**
Hodges

(10) **Patent No.:** **US D743,861 S**

(45) **Date of Patent:** **** Nov. 24, 2015**

(54) **LED ROCK PROTECTOR**

(71) Applicant: **Frank J. Hodges**, Corona, CA (US)

(72) Inventor: **Frank J. Hodges**, Corona, CA (US)

(**) Term: **14 Years**

(21) Appl. No.: **29/487,895**

(22) Filed: **Apr. 14, 2014**

(51) **LOC (10) Cl.** **12-08**

(52) **U.S. Cl.**
USPC **D12/181**

(58) **Field of Classification Search**
USPC D12/181, 191, 196, 400, 190, 88
CPC B60R 13/02; B60R 13/04
See application file for complete search history.

(56) **References Cited**

U.S. PATENT DOCUMENTS

D460,176 S *	7/2002	Carlucci	D24/124
D488,111 S *	4/2004	Elwell	D12/163
D601,474 S *	10/2009	Ragsdale	D12/181
D609,149 S *	2/2010	Larson	D12/181

D613,212 S *	4/2010	Wu	D12/163
D631,404 S *	1/2011	Hodges	D12/163
D649,918 S *	12/2011	Hodges	D12/163
D662,446 S *	6/2012	Hodges	D12/163
D682,163 S *	5/2013	Hodges	D12/163

* cited by examiner

Primary Examiner — Katrina A Betton

(74) *Attorney, Agent, or Firm* — Eric B. Alspaugh

(57) **CLAIM**

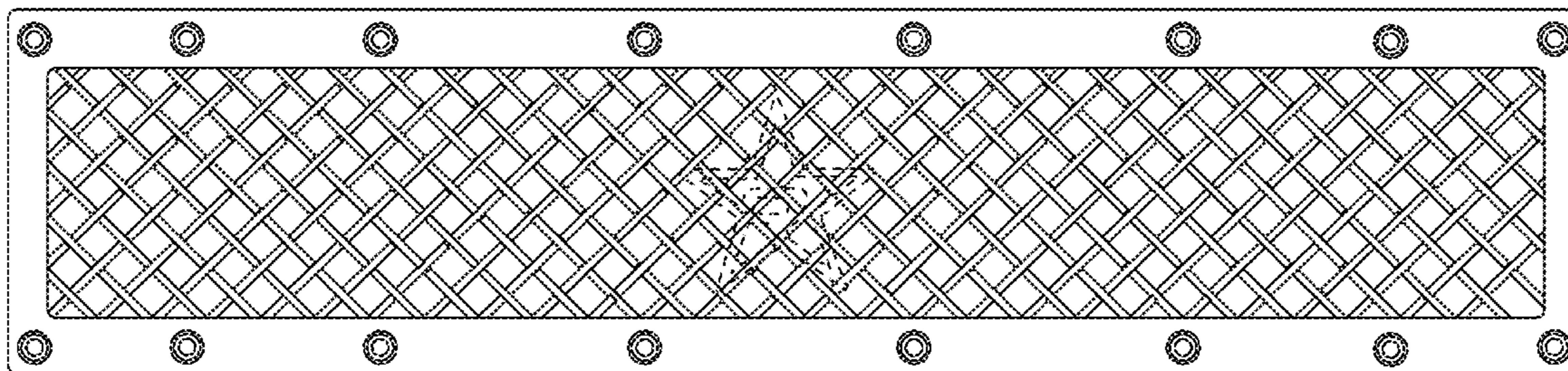
The ornamental design for an LED rock protector, as shown and described.

DESCRIPTION

FIG. 1 is a front view of a LED rock protector showing my new design;
FIG. 2 is a right side view thereof;
FIG. 3 is a left side sectional thereof;
FIG. 4 is an oblique view thereof; and,
FIG. 5 is a back side view thereof.

In the drawings, the broken lines in FIGS. 1, 4 and 5 depict a star and form no part of the claimed design.

1 Claim, 5 Drawing Sheets



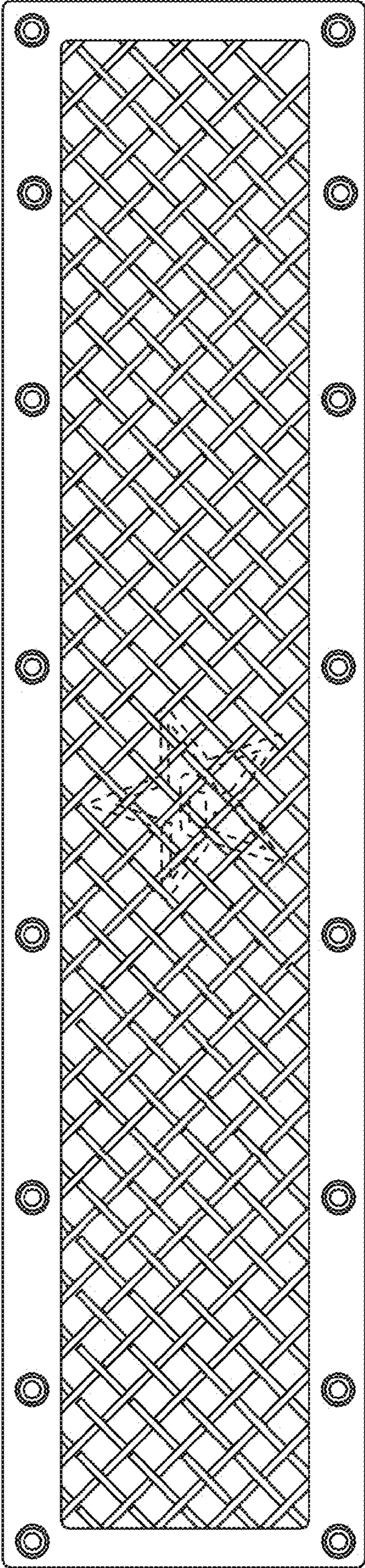


Fig. 1

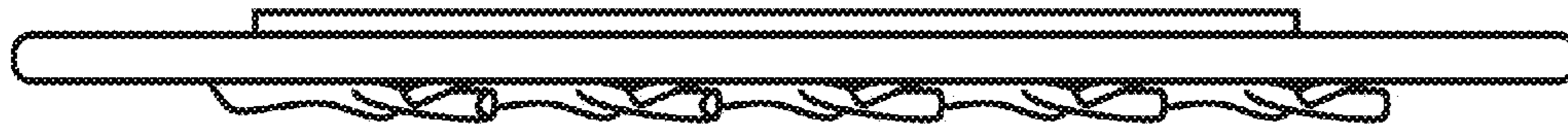


Fig. 2

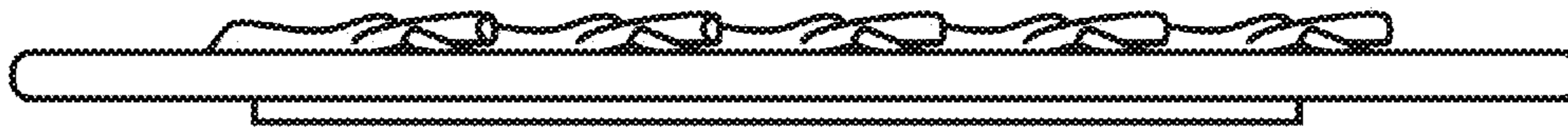


Fig. 3

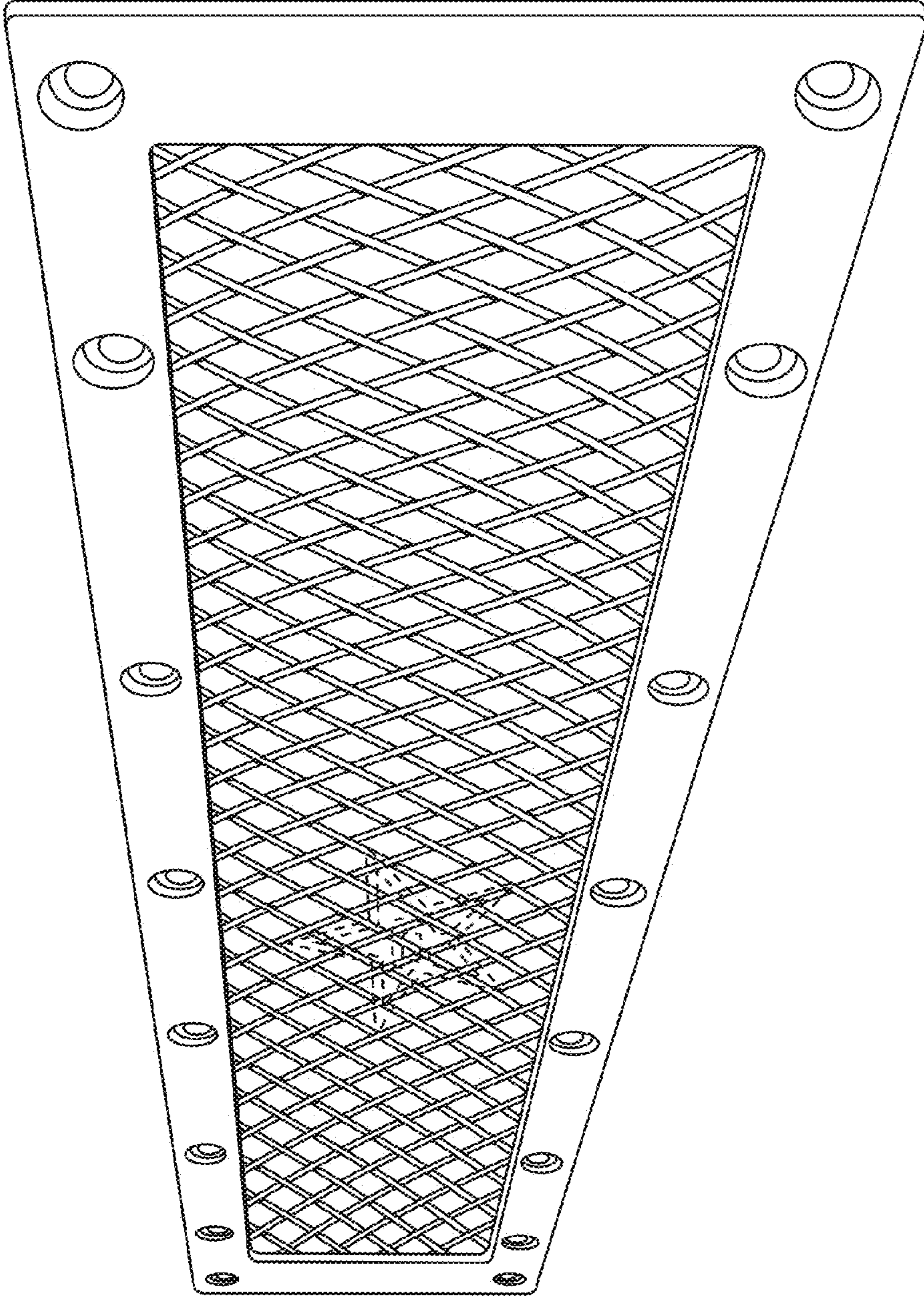


Fig. 4

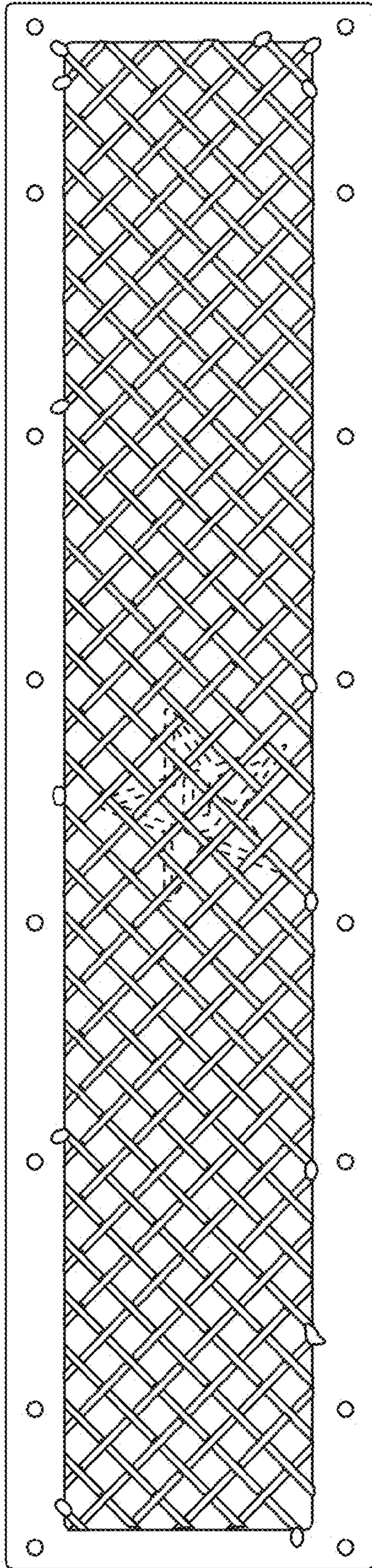


Fig. 5