



US00D743860S

(12) **United States Design Patent**
Nagumo

(10) **Patent No.:** **US D743,860 S**
(45) **Date of Patent:** **** Nov. 24, 2015**

(54) **STEERING WHEEL FOR AUTOMOBILE**

(71) Applicant: **Honda Motor Co., Ltd.**, Tokyo (JP)

(72) Inventor: **Megumi Nagumo**, Wako (JP)

(73) Assignee: **Honda Motor Co., Ltd.**, Tokyo (JP)

(**) Term: **14 Years**

(21) Appl. No.: **29/496,614**

(22) Filed: **Jul. 15, 2014**

(30) **Foreign Application Priority Data**

Jan. 22, 2014 (JP) 2014-001105

(51) **LOC (10) Cl.** **12-16**

(52) **U.S. Cl.**
USPC **D12/176**

(58) **Field of Classification Search**

USPC D12/175, 176; 74/552, 558, 558.5
CPC B60R 21/203; B60R 21/05; B62D 1/04
See application file for complete search history.

(56) **References Cited**

U.S. PATENT DOCUMENTS

D630,983 S * 1/2011 Frank et al. D12/176
D635,069 S * 3/2011 Klein et al. D12/176

D635,900 S * 4/2011 Anzi D12/176
D636,711 S * 4/2011 Anzi D12/176
D672,293 S * 12/2012 Toyama et al. D12/176
D684,511 S * 6/2013 Koyama D12/176
D688,606 S * 8/2013 Balko et al. D12/176
D692,813 S * 11/2013 Koyama D12/175
D696,991 S * 1/2014 Bose et al. D12/176
D696,992 S * 1/2014 Pohanka et al. D12/176
D708,556 S * 7/2014 Mito D12/176
D709,006 S * 7/2014 Busse et al. D12/176
D710,769 S * 8/2014 Cheung et al. D12/176
D713,307 S * 9/2014 Kanki D12/176
D727,226 S * 4/2015 Mayerle D12/176
D733,627 S * 7/2015 Ishimaru D12/176

* cited by examiner

Primary Examiner — Melody Brown

(74) *Attorney, Agent, or Firm* — Plumsea Law Group, LLC

(57) **CLAIM**

The ornamental design for a steering wheel for automobile, as shown and described.

DESCRIPTION

FIG. 1 is a perspective view from the front side of a steering wheel for automobile.

FIG. 2 is a front elevation view thereof.

FIG. 3 is a top plan view thereof.

FIG. 4 is a bottom plan view thereof; and,

FIG. 5 is a right side elevation view thereof, the left side is a mirror image thereof.

1 Claim, 5 Drawing Sheets

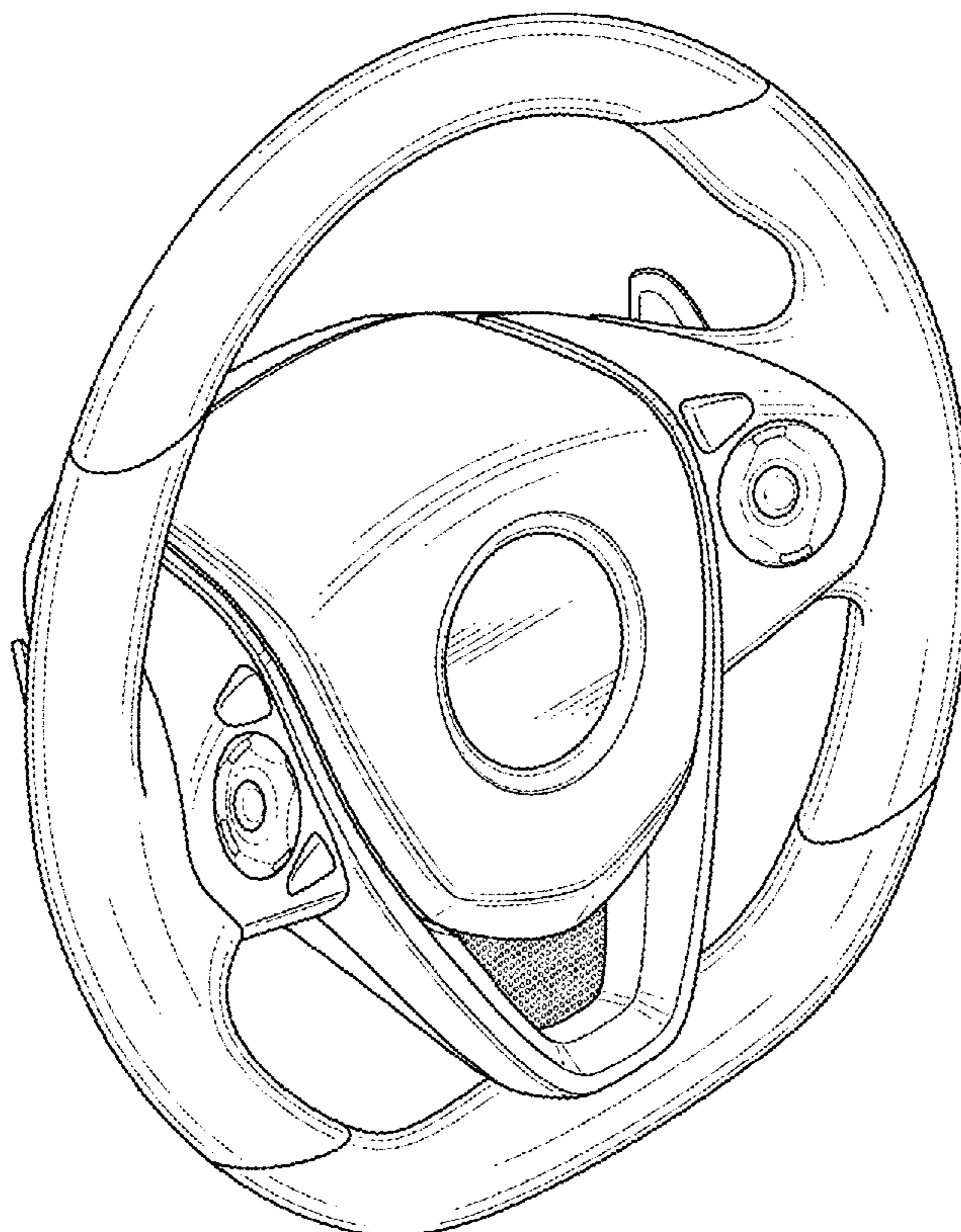


FIG. 1

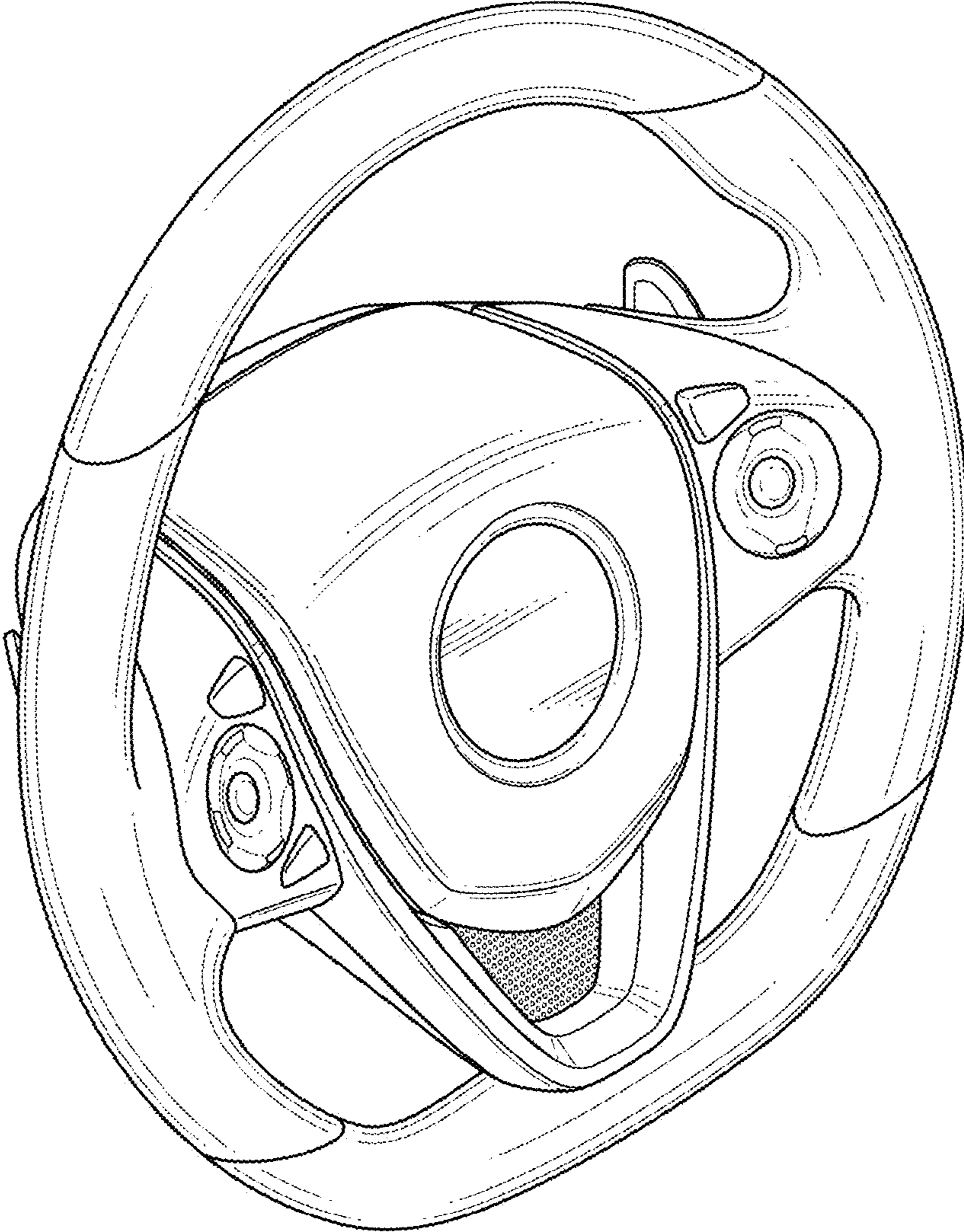


FIG. 2

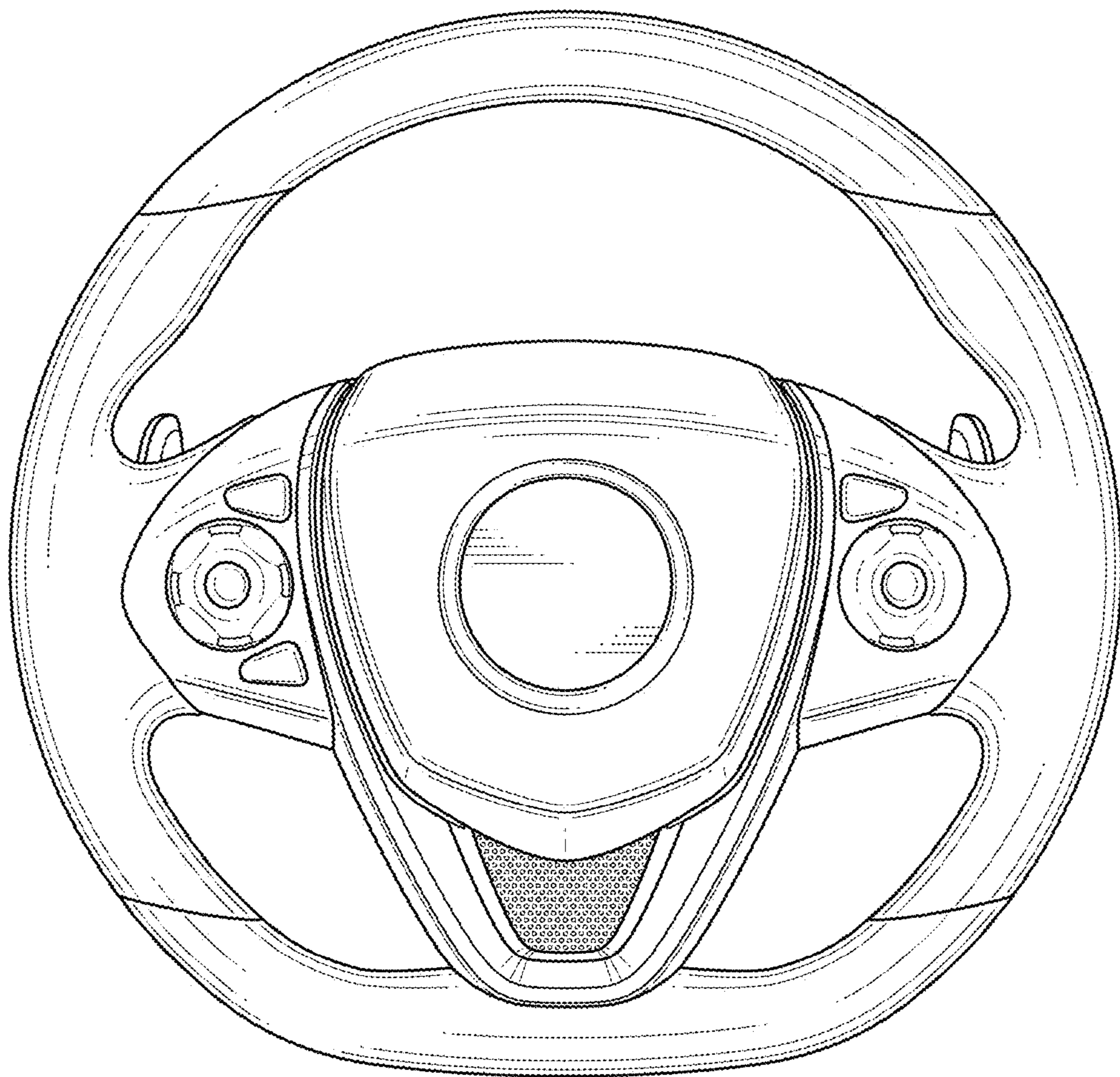


FIG. 3

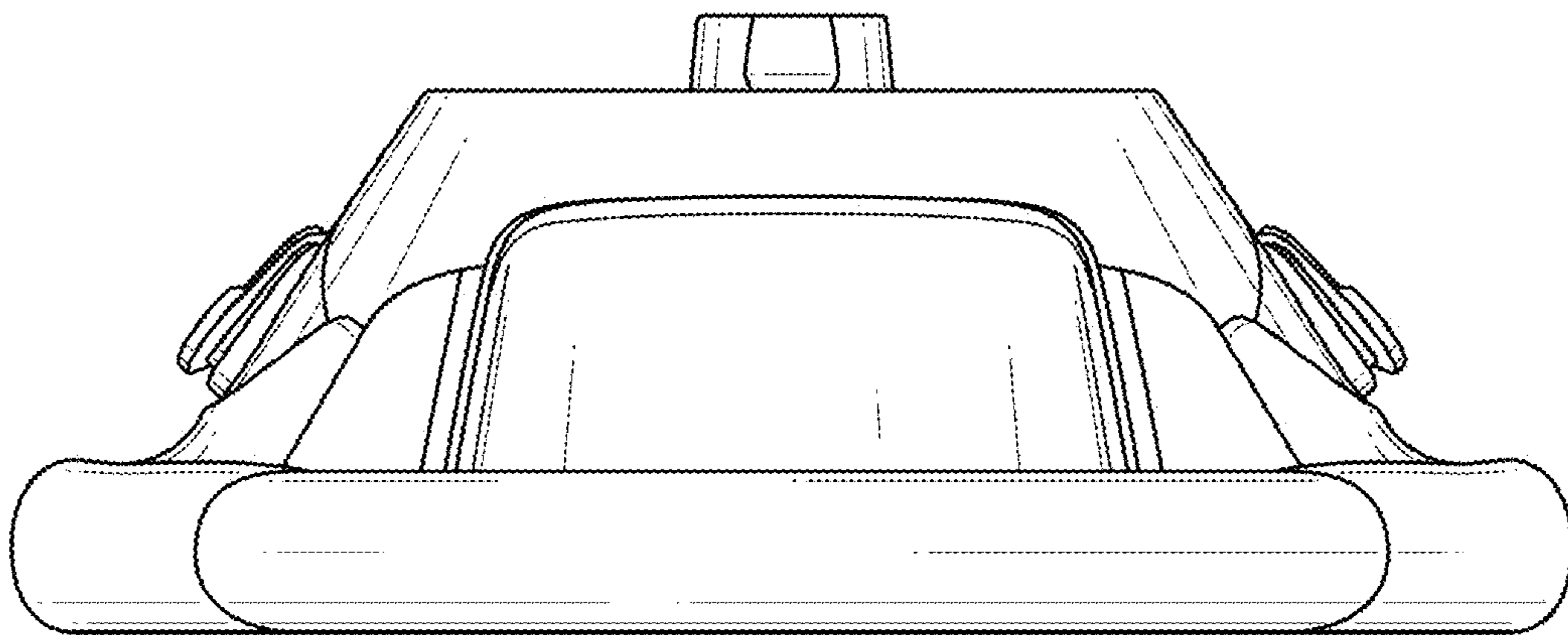


FIG. 4

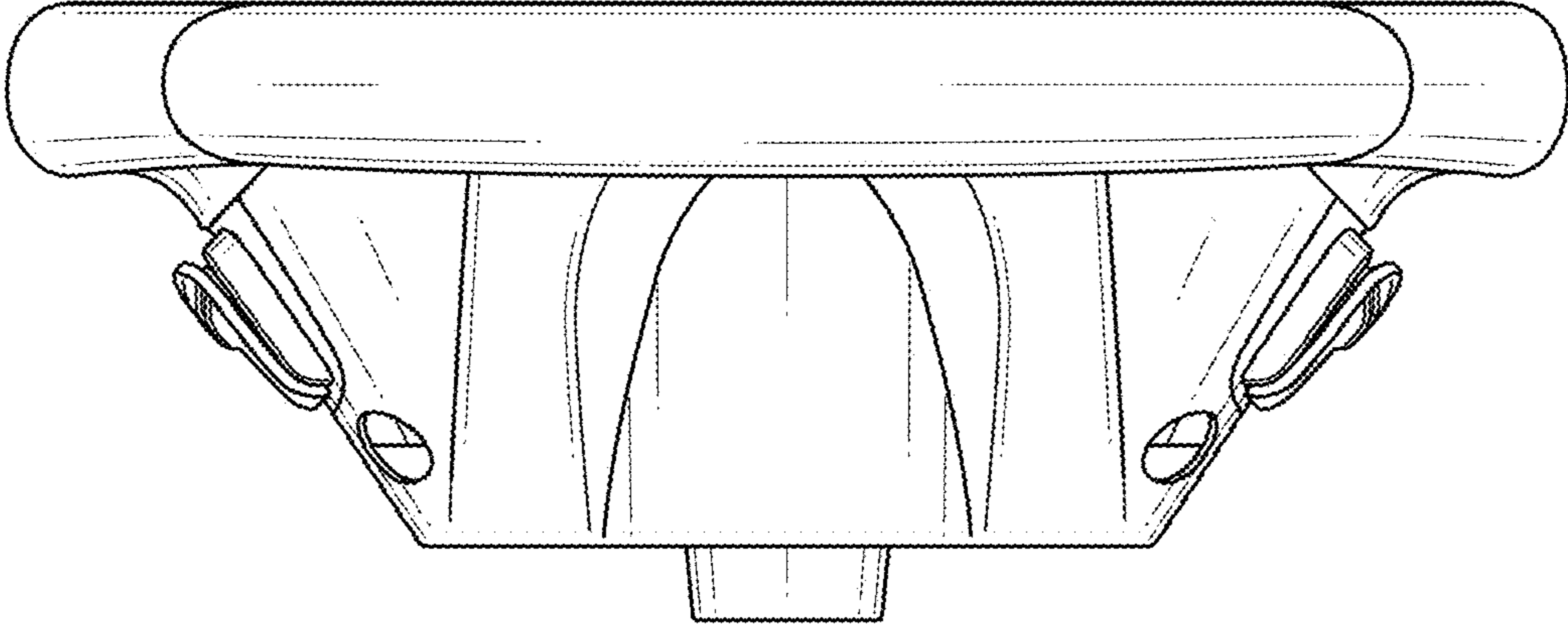


FIG. 5

