



US00D743859S

(12) **United States Design Patent**
Gong et al.

(10) **Patent No.:** **US D743,859 S**

(45) **Date of Patent:** **** Nov. 24, 2015**

(54) **STEERING WHEEL**

(56) **References Cited**

(71) Applicant: **SHENZHEN ZHILUN DRIVING TECHNOLOGY FOR ELECTRIC VEHICLE CO., LTD.**, Guangdong (CN)

U.S. PATENT DOCUMENTS

(72) Inventors: **Shugang Gong**, Guangdong (CN); **Lingliang Hu**, Guangdong (CN); **Xinxia Wu**, Guangdong (CN); **Baoxian Feng**, Guangdong (CN); **Tao Huang**, Guangdong (CN)

D317,025	S	*	5/1991	Ng Chuk-Sun	D21/477
D342,474	S	*	12/1993	Oki	D12/176
D343,154	S	*	1/1994	Allen	D12/176
D343,155	S	*	1/1994	Allen	D12/176
D343,156	S	*	1/1994	Allen	D12/176
D344,483	S	*	2/1994	Allen	D12/176
D344,484	S	*	2/1994	Allen	D12/176
D345,540	S	*	3/1994	Allen	D12/176
D346,997	S	*	5/1994	Kurtis	D12/176
D347,612	S	*	6/1994	Allen	D12/176
D394,092	S	*	5/1998	Kato	D21/566
D410,970	S	*	6/1999	Larian	D21/329
D420,708	S	*	2/2000	Holmes et al.	D21/329
D424,488	S	*	5/2000	Thorpe	D12/176
D525,573	S	*	7/2006	Young	D12/176
D620,853	S	*	8/2010	Wiedeman et al.	D12/176
D673,622	S	*	1/2013	Wudtke	D21/385
D683,288	S	*	5/2013	Kho	D12/177
D702,603	S	*	4/2014	Huang	D12/177
D704,111	S	*	5/2014	Shen	D12/177
D710,271	S	*	8/2014	Norman et al.	D12/176
2007/0000346	A1	*	1/2007	Songwe	74/552
2009/0189373	A1	*	7/2009	Schramm et al.	280/731
2013/0263692	A1	*	10/2013	Bostick et al.	74/558

(73) Assignee: **Shenzhen Zhilun Driving Technology for Electric Vehicle Co., LTD.** (CN)

(**) Term: **14 Years**

(21) Appl. No.: **29/483,562**

(22) Filed: **Feb. 28, 2014**

* cited by examiner

(30) **Foreign Application Priority Data**

Dec. 13, 2013 (CN) 2013 3 0622032

(51) **LOC (10) Cl.** **12-16**

(52) **U.S. Cl.**
USPC **D12/176**

(58) **Field of Classification Search**
USPC D12/176, 175, 174, 177; D21/385, 477, D21/566; D14/401, 414; 296/70; 219/204; 74/552, 558, 558.5, 492; 180/9.38; 280/731, 750, 775; 200/61.54, 61.55, 200/61.57
CPC B60R 16/037; B60R 1/00; B62D 1/04; B62D 1/00; B62D 1/02; B62D 1/16
See application file for complete search history.

Primary Examiner — Eric Goodman

Assistant Examiner — Clese Moore, Jr.

(74) *Attorney, Agent, or Firm* — Ross Barnes LLP; Monty L. Ross; Robin L. Barnes

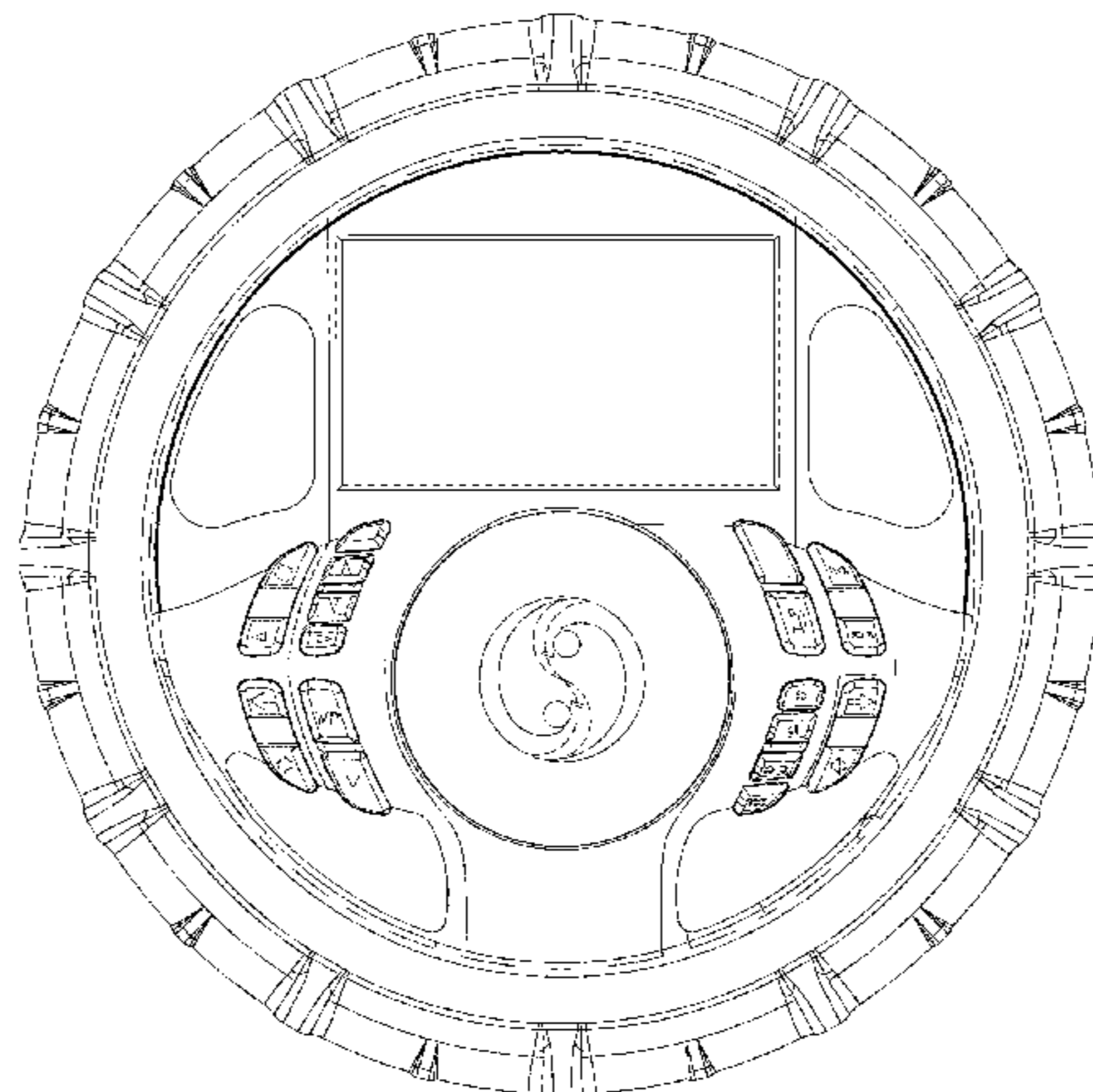
(57) **CLAIM**

The ornamental design for a steering wheel, as shown and described.

DESCRIPTION

FIG. 1 is a front and right perspective view of a steering wheel showing our new design;
FIG. 2 is a front elevational view thereof;
FIG. 3 is a left side elevational view thereof;
FIG. 4 is a right side elevational view thereof; and,
FIG. 5 is a top plan view thereof.

1 Claim, 5 Drawing Sheets



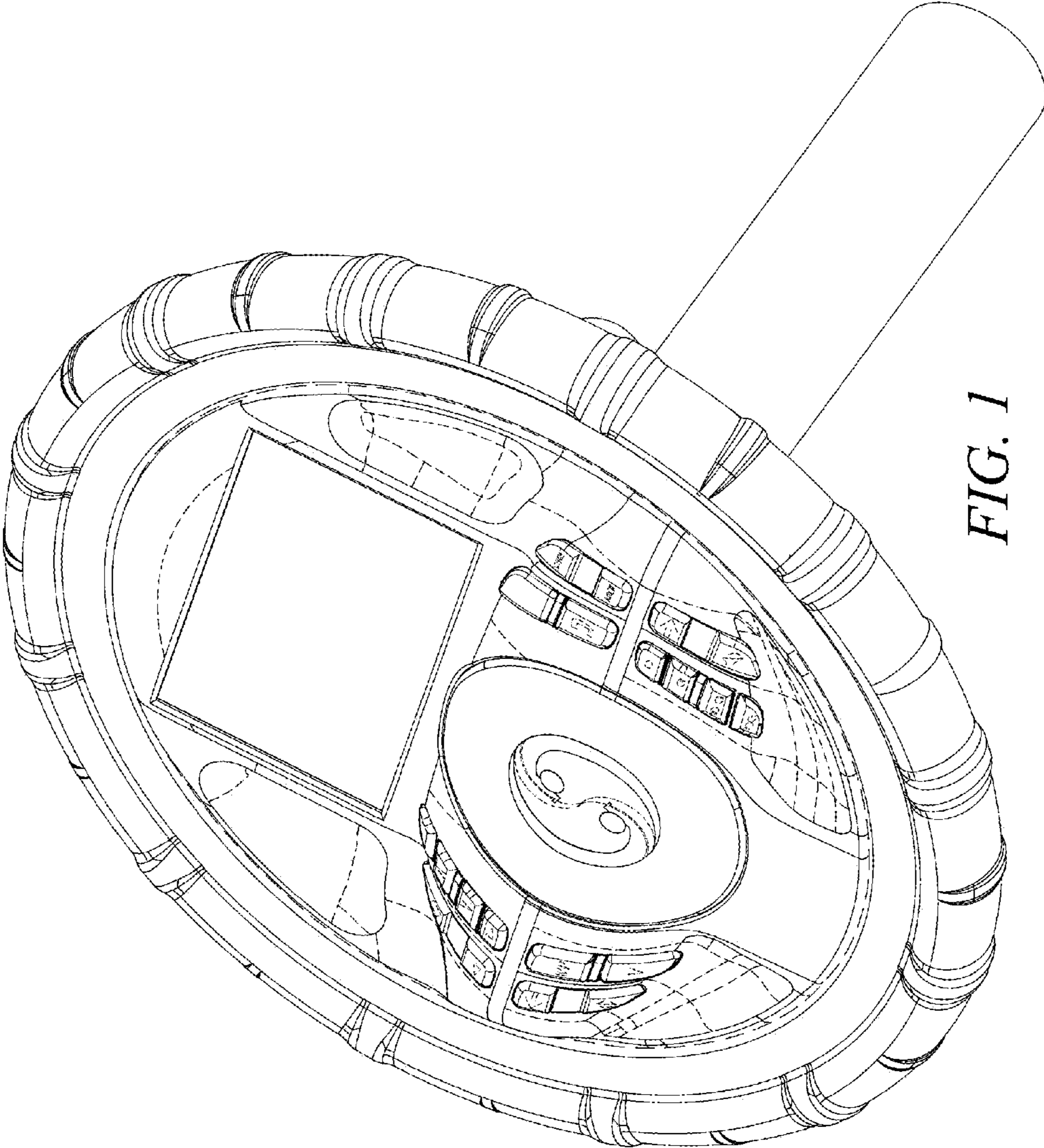


FIG. 1

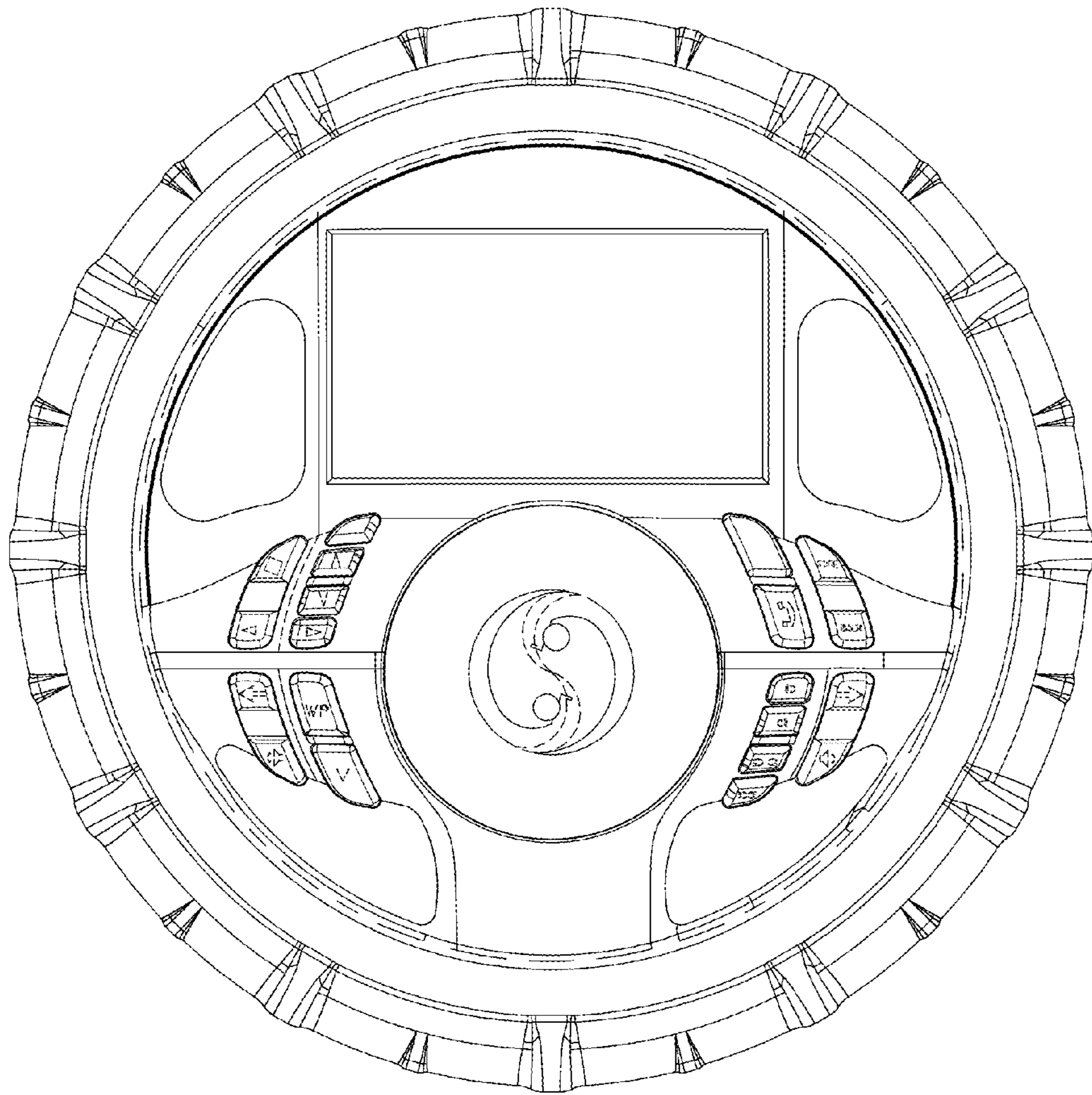


FIG. 2

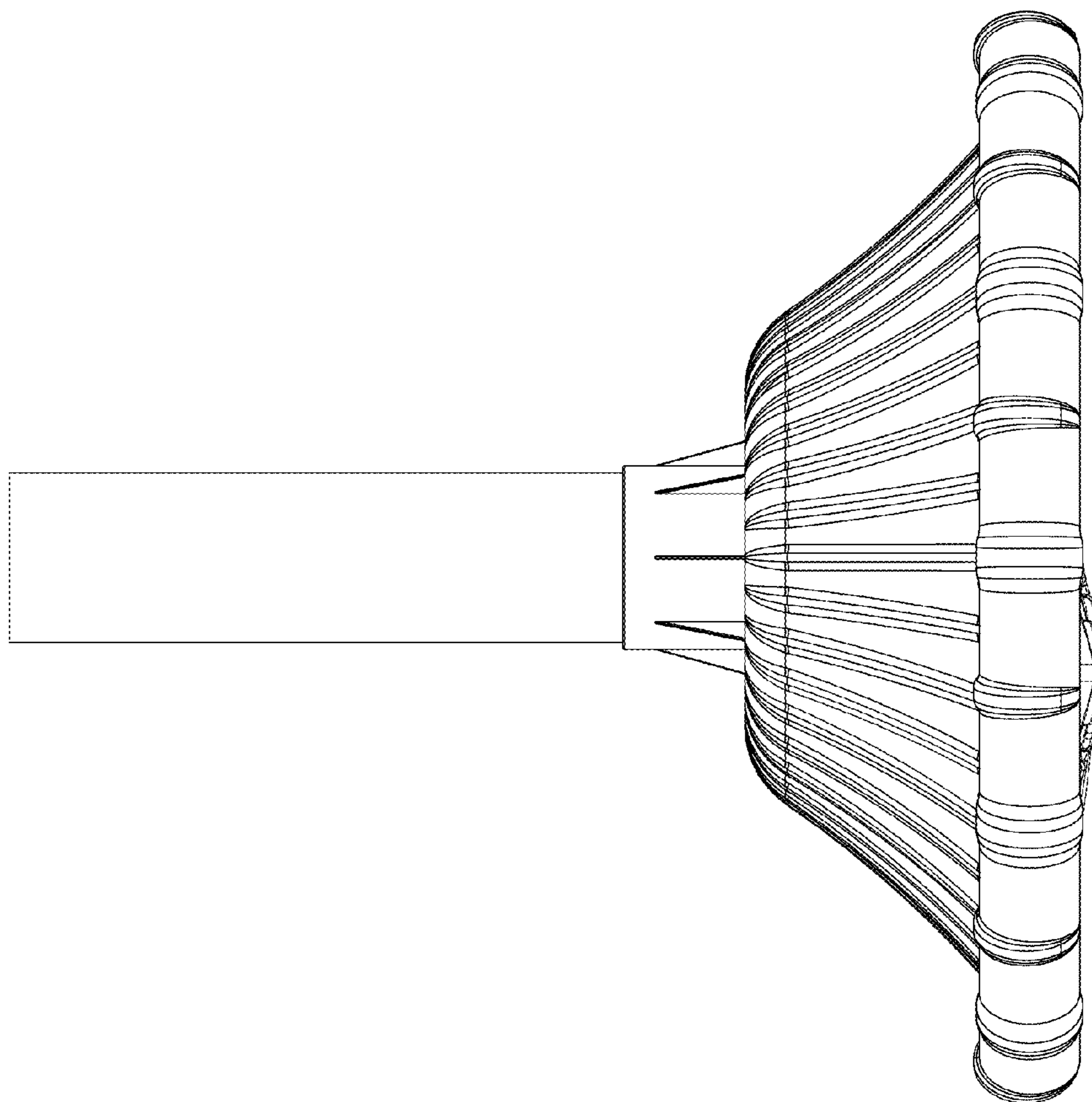


FIG. 3

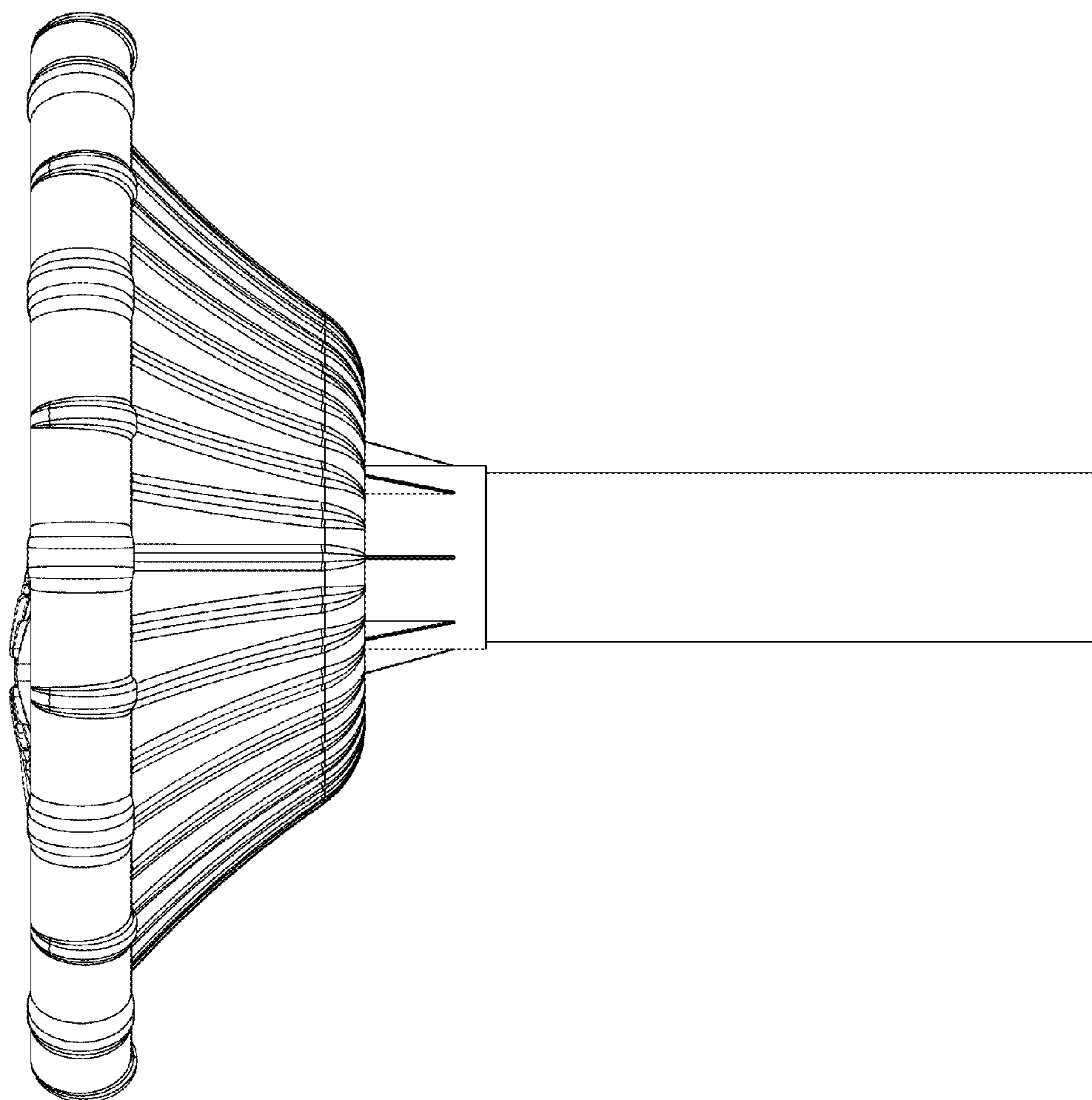


FIG. 4

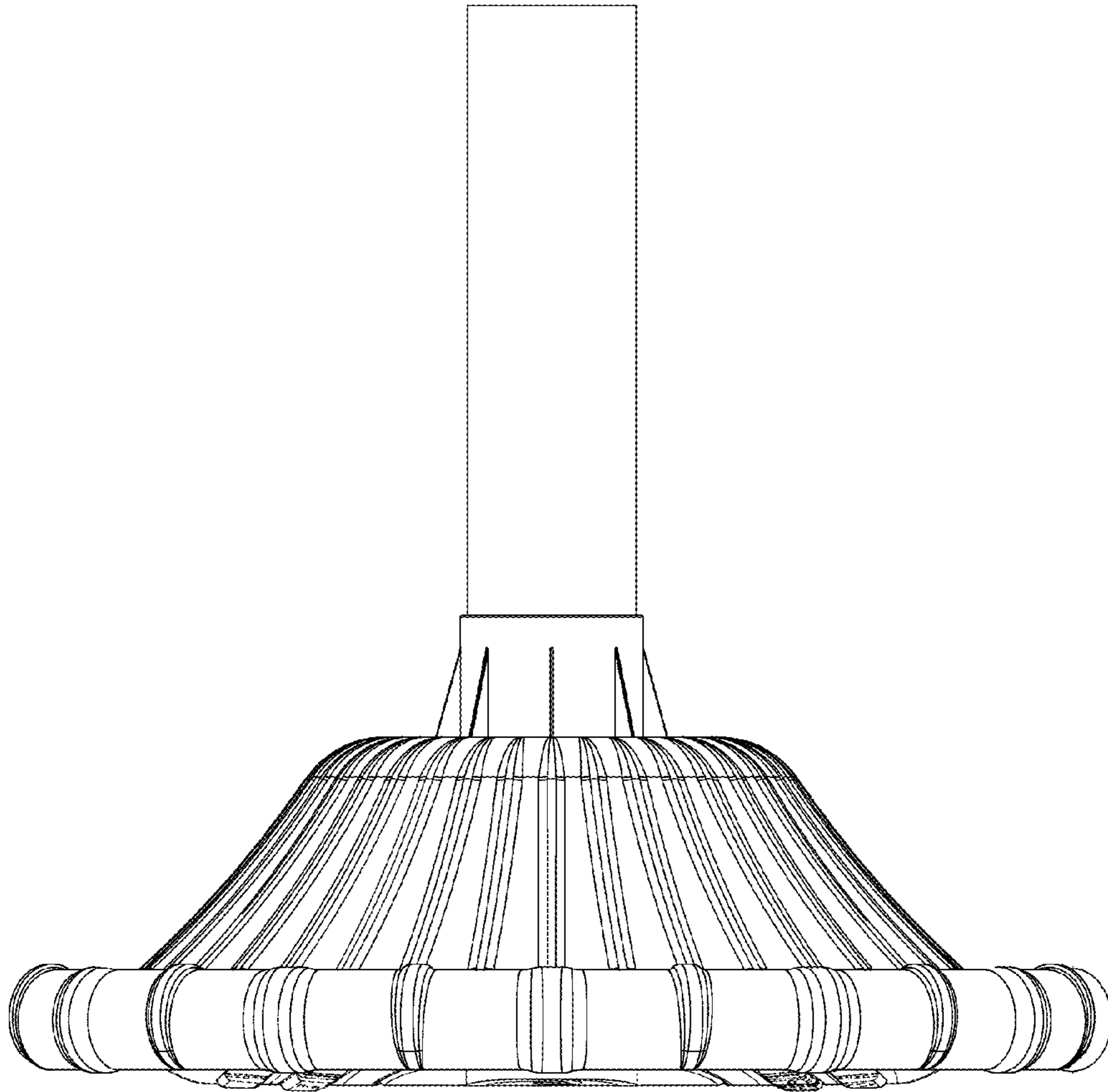


FIG. 5