



US00D743857S

(12) **United States Design Patent**  
**McMahan et al.**

(10) **Patent No.:** **US D743,857 S**

(45) **Date of Patent:** **\*\* Nov. 24, 2015**

(54) **VEHICLE HOOD**

(56)

**References Cited**

U.S. PATENT DOCUMENTS

(71) Applicant: **GM Global Technology Operations LLC**, Detroit, MI (US)

(72) Inventors: **Robert B. McMahan**, Bloomfield Hills, MI (US); **Brendon C. Mackay**, Shelby Township, MI (US); **Tyler L. H. Moffett**, Detroit, MI (US)

(73) Assignee: **GM Global Technology Operations LLC**, Detroit, MI (US)

(\*\*) Term: **14 Years**

(21) Appl. No.: **29/503,863**

(22) Filed: **Sep. 30, 2014**

(51) **LOC (10) Cl.** ..... **12-16**

(52) **U.S. Cl.**  
USPC ..... **D12/173**

(58) **Field of Classification Search**  
USPC ..... D12/173, 196, 86, 90-92, 181;  
180/69.21, 69.2, 69.22  
CPC ..... B62D 25/10; B60Q 1/00  
See application file for complete search history.

D597,454	S	*	8/2009	Wagner et al.	.....	D12/173
D609,615	S	*	2/2010	Kruger et al.	.....	D12/173
D612,779	S	*	3/2010	Elliott et al.	.....	D12/173
D655,227	S	*	3/2012	Hanson et al.	.....	D12/173
D669,403	S	*	10/2012	Gifford	.....	D12/173
D679,227	S	*	4/2013	Schmeckpeper	.....	D12/173
D683,675	S	*	6/2013	Munson et al.	.....	D12/173
8,636,396	B2	*	1/2014	Tanaka	.....	362/496
D709,003	S	*	7/2014	Jung	.....	D12/173
D709,004	S	*	7/2014	Jung	.....	D12/173
D712,323	S	*	9/2014	Mays et al.	.....	D12/173
D718,683	S	*	12/2014	Thole et al.	.....	D12/173
D725,557	S	*	3/2015	Wolff et al.	.....	D12/173

\* cited by examiner

*Primary Examiner* — Melody Brown

(74) *Attorney, Agent, or Firm* — Lionel D. Anderson; Reising Ethington P.C.

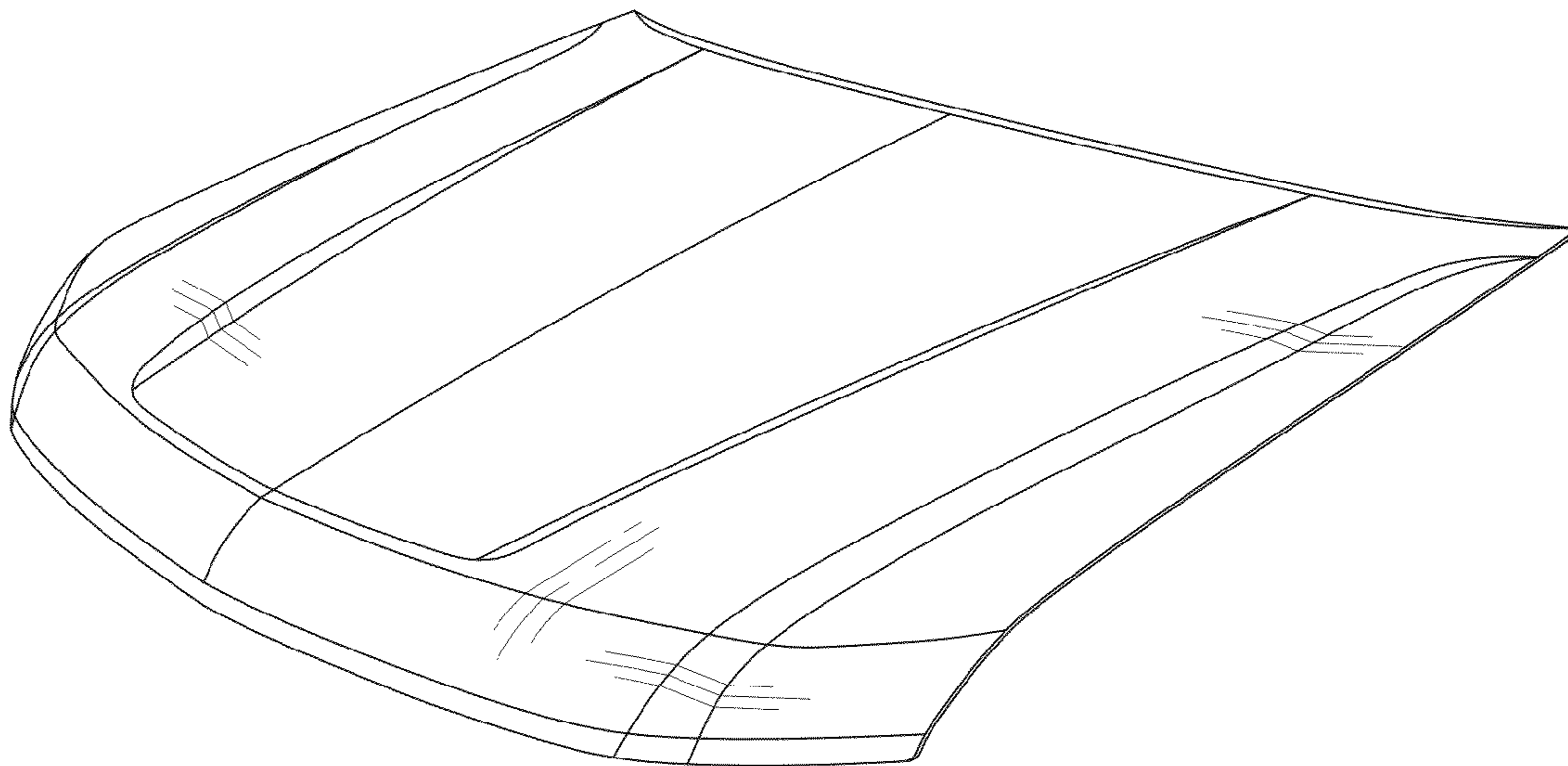
(57) **CLAIM**

The ornamental design for a vehicle hood, as shown and described.

**DESCRIPTION**

FIG. 1 is a perspective view of the vehicle hood;  
FIG. 2 is a front view thereof;  
FIG. 3 is a left side elevation view thereof; and,  
FIG. 4 is a top plan view thereof.  
The right side elevation view is omitted because the right side elevation view is identical to the left side elevation view.

**1 Claim, 1 Drawing Sheet**



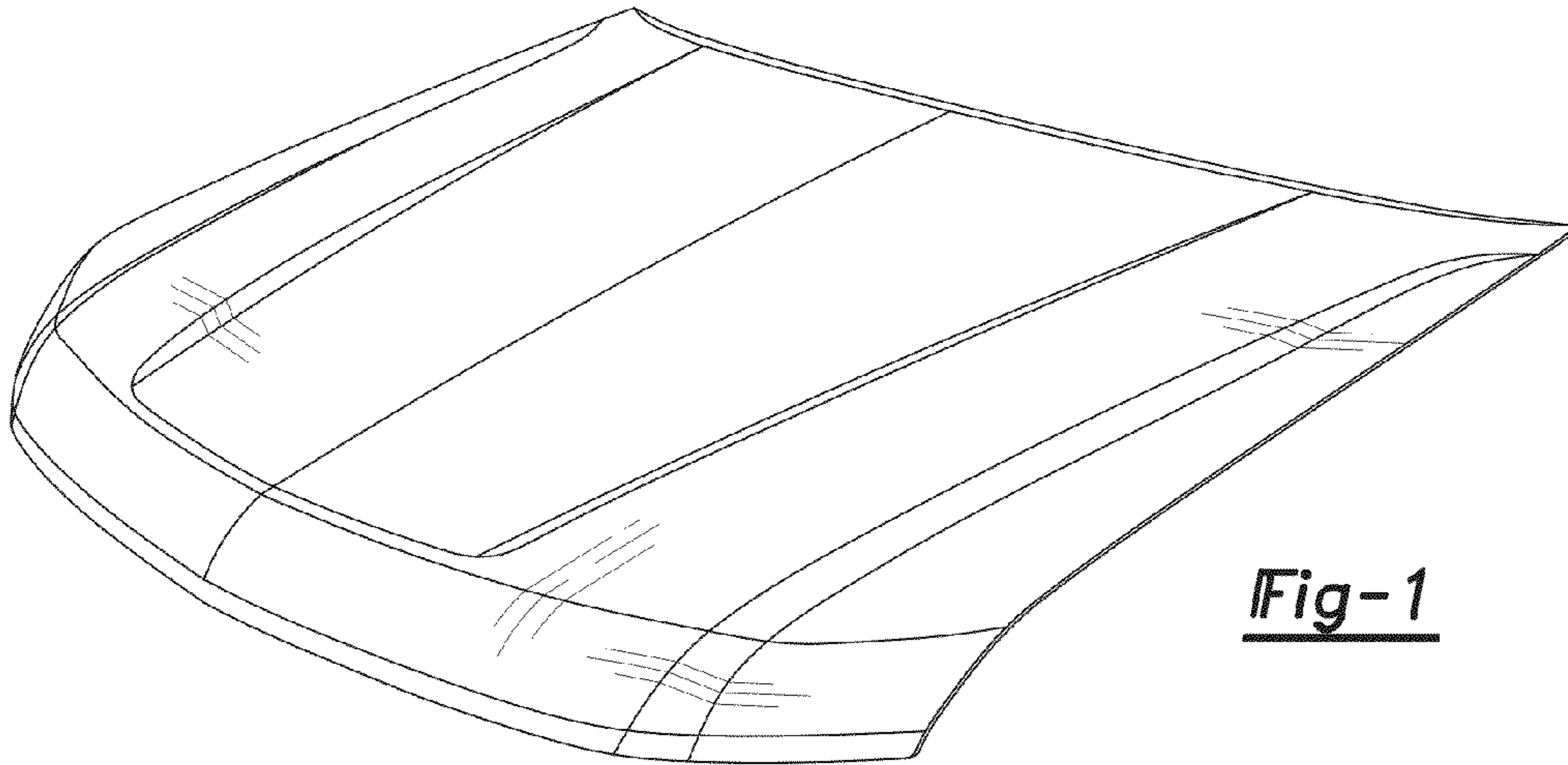


Fig-1

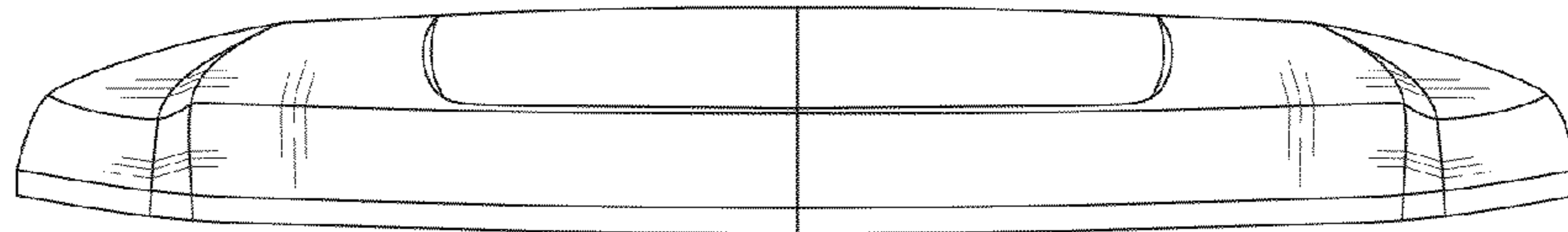


Fig-2



Fig-3

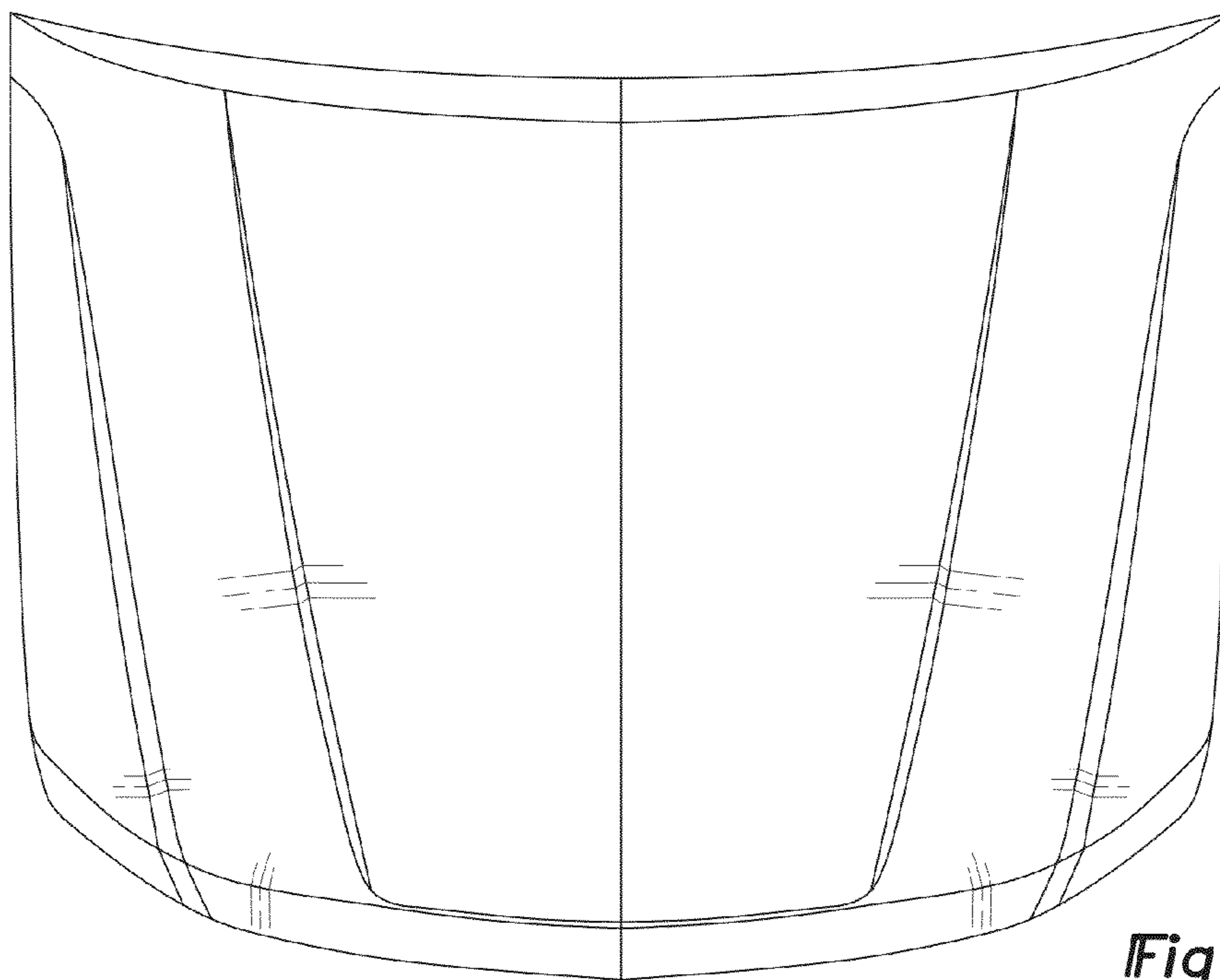


Fig-4