



US00D743852S

(12) **United States Design Patent**  
**Rouzaud**

(10) **Patent No.:** **US D743,852 S**

(45) **Date of Patent:** **\*\* Nov. 24, 2015**

(54) **PROTECTOR BAR FOR A CAR DOOR AND A GARAGE WALL**

(71) Applicant: **Victor Rouzaud**, Riverside, CA (US)

(72) Inventor: **Victor Rouzaud**, Riverside, CA (US)

(\*\*) Term: **14 Years**

(21) Appl. No.: **29/481,329**

(22) Filed: **Feb. 4, 2014**

(51) **LOC (10) Cl.** ..... **12-16**

(52) **U.S. Cl.**  
USPC ..... **D12/167**

(58) **Field of Classification Search**  
USPC ..... D12/167, 169, 400, 190, 414, 406, 412,  
D12/415

CPC ..... B65G 1/02; B60R 19/02; B60R 19/42  
See application file for complete search history.

(56) **References Cited**

U.S. PATENT DOCUMENTS

D309,593 S *	7/1990	Bailey	.....	D12/167
D338,646 S	8/1993	Ortiz		
D339,784 S	9/1993	Reid et al.		
5,267,763 A *	12/1993	Klein	.....	293/128
D352,889 S	11/1994	Crowther et al.		
D358,358 S	5/1995	Burroughs		
D368,060 S	3/1996	Perlman		
D379,922 S	6/1997	Adams		
D423,437 S	4/2000	Saleen		
D437,810 S	2/2001	Runfola		
D446,484 S	8/2001	Martel		

6,527,319 B1 *	3/2003	Martel	.....	293/128
D515,989 S	2/2006	Choi et al.		
7,950,706 B2 *	5/2011	Shaw et al.	.....	293/142
D653,178 S *	1/2012	Carducci	.....	D12/167
D709,806 S *	7/2014	Musgrove	.....	D12/167
D723,434 S *	3/2015	McNeil	.....	D12/167

\* cited by examiner

*Primary Examiner* — Katrina A Betton

(74) *Attorney, Agent, or Firm* — Kirk A. Buhler; Buhler & Associates

(57) **CLAIM**

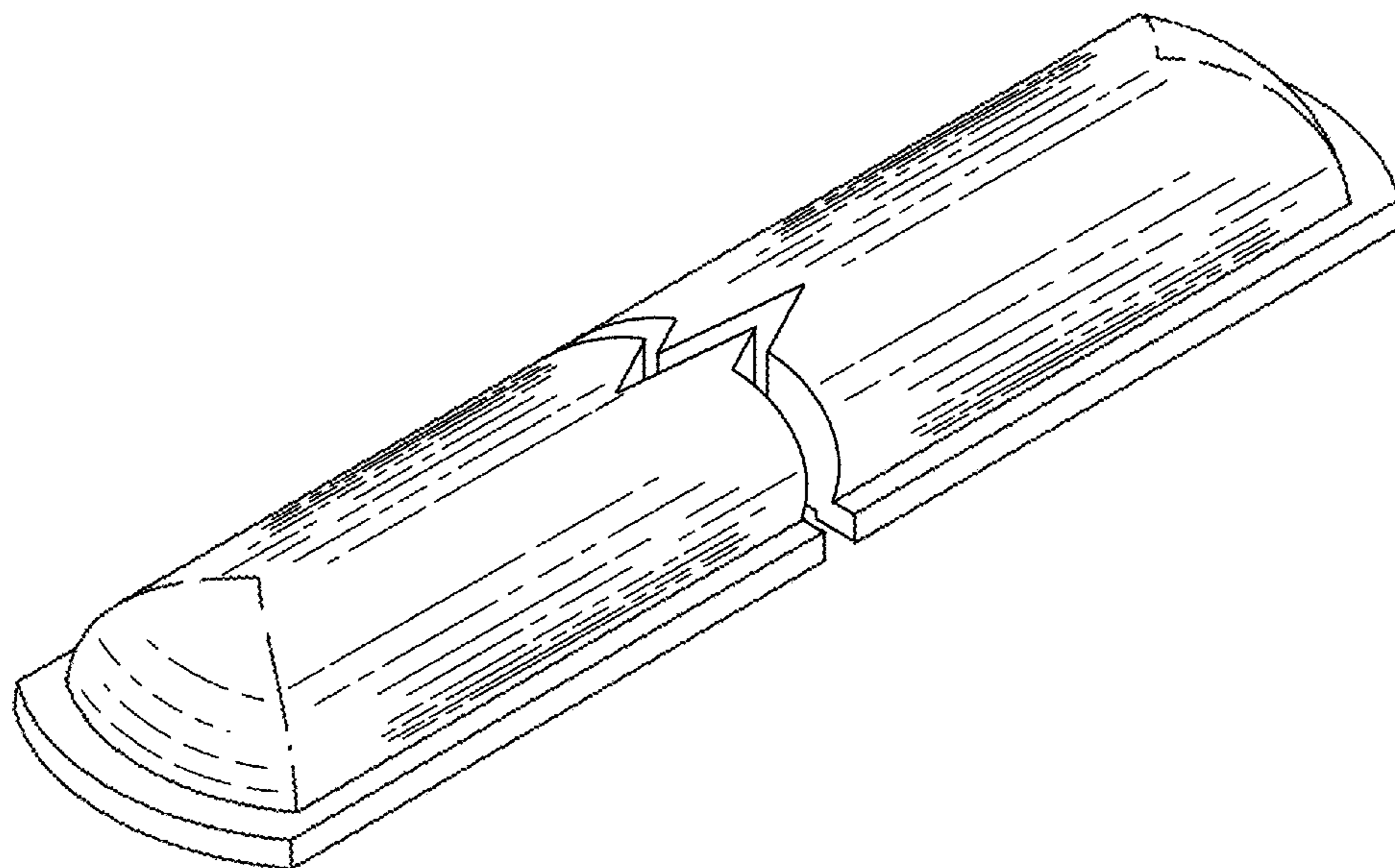
The ornamental design for a protective bar for a car door and a garage wall, as shown and described.

**DESCRIPTION**

FIG. 1 is a top perspective view for a protective bar for a car door and a garage wall showing my new design;  
FIG. 2 is a front side view thereof;  
FIG. 3 is a back side view thereof;  
FIG. 4 is a top side view thereof;  
FIG. 5 is a bottom side view thereof;  
FIG. 6 is a left side view;  
FIG. 7 is a right side view, and,  
FIG. 8 is a bottom perspective view.

The claimed design is shown broken away to indicate that no particular length of a protective bar for a car door and a garage wall and forms a part of the claimed design.

**1 Claim, 4 Drawing Sheets**



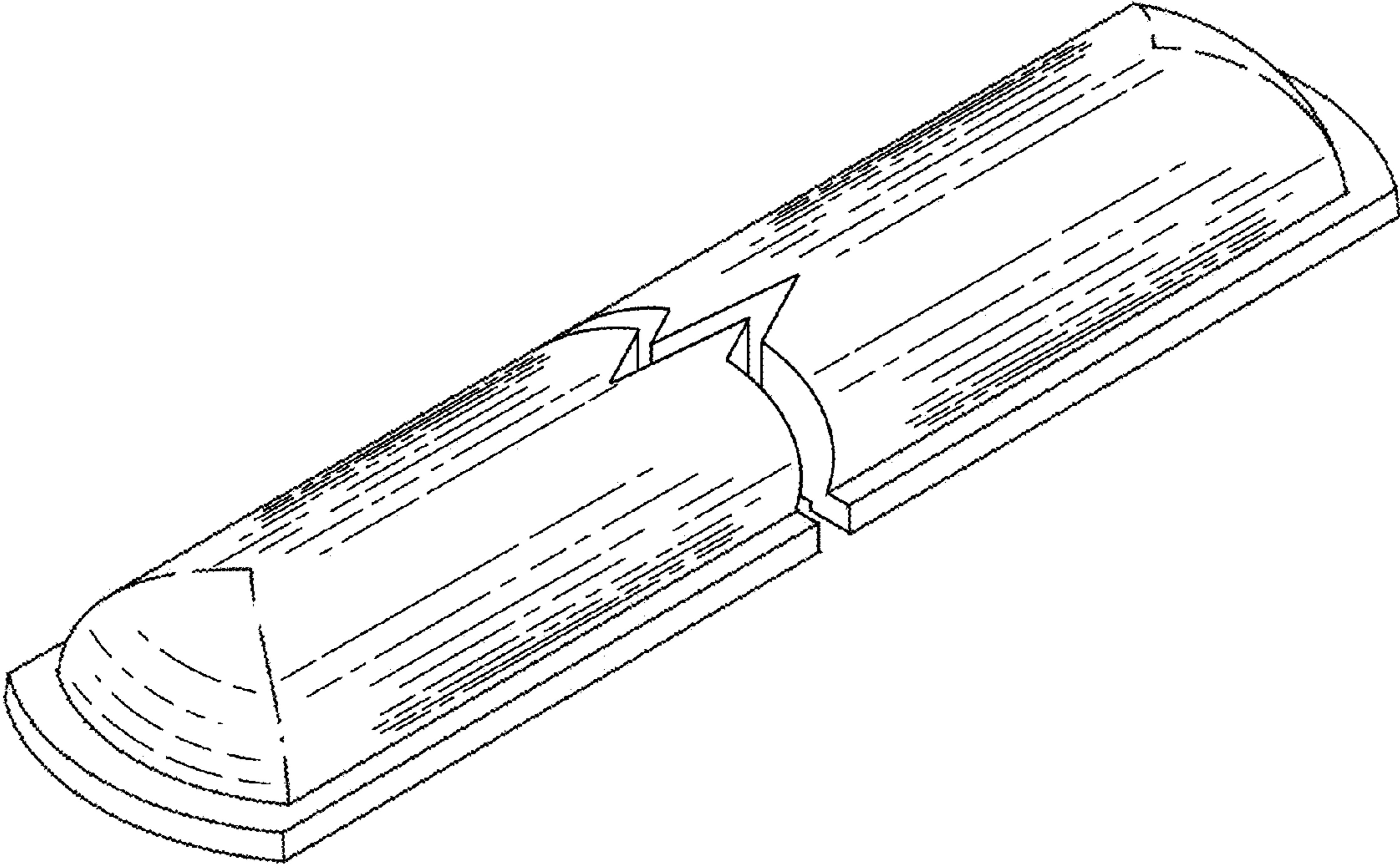


FIG. 1

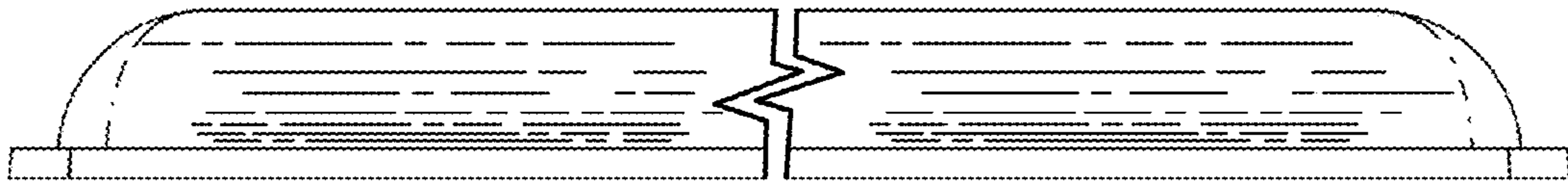


FIG. 2

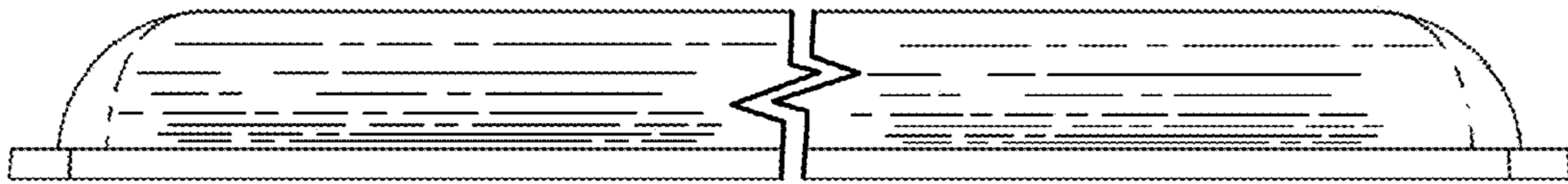


FIG. 3

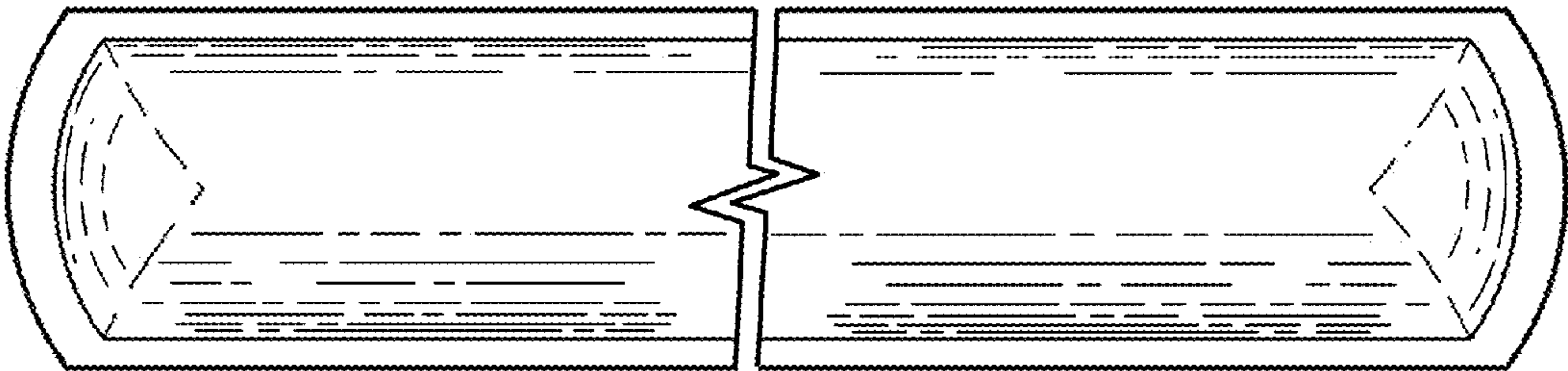
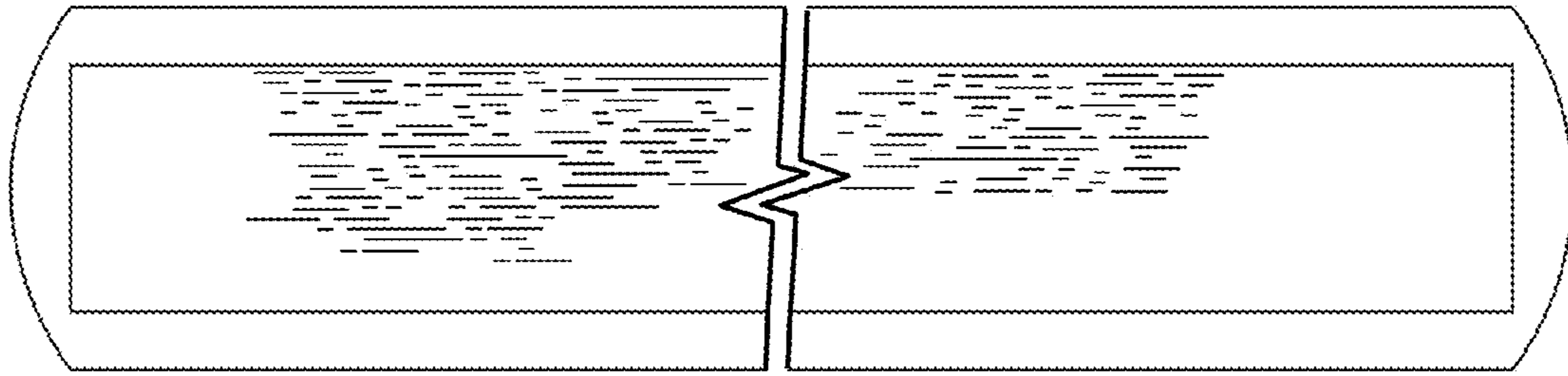
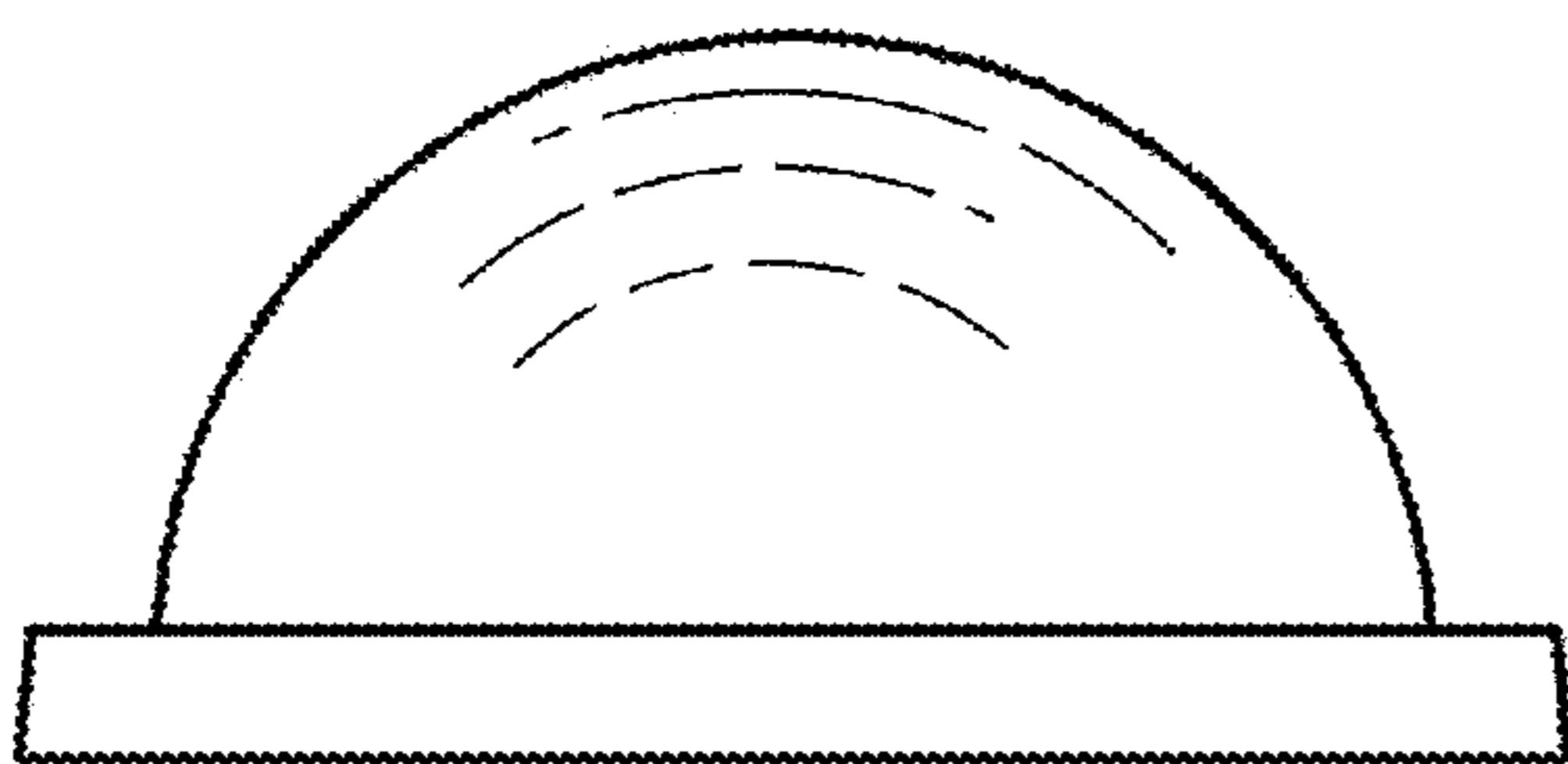


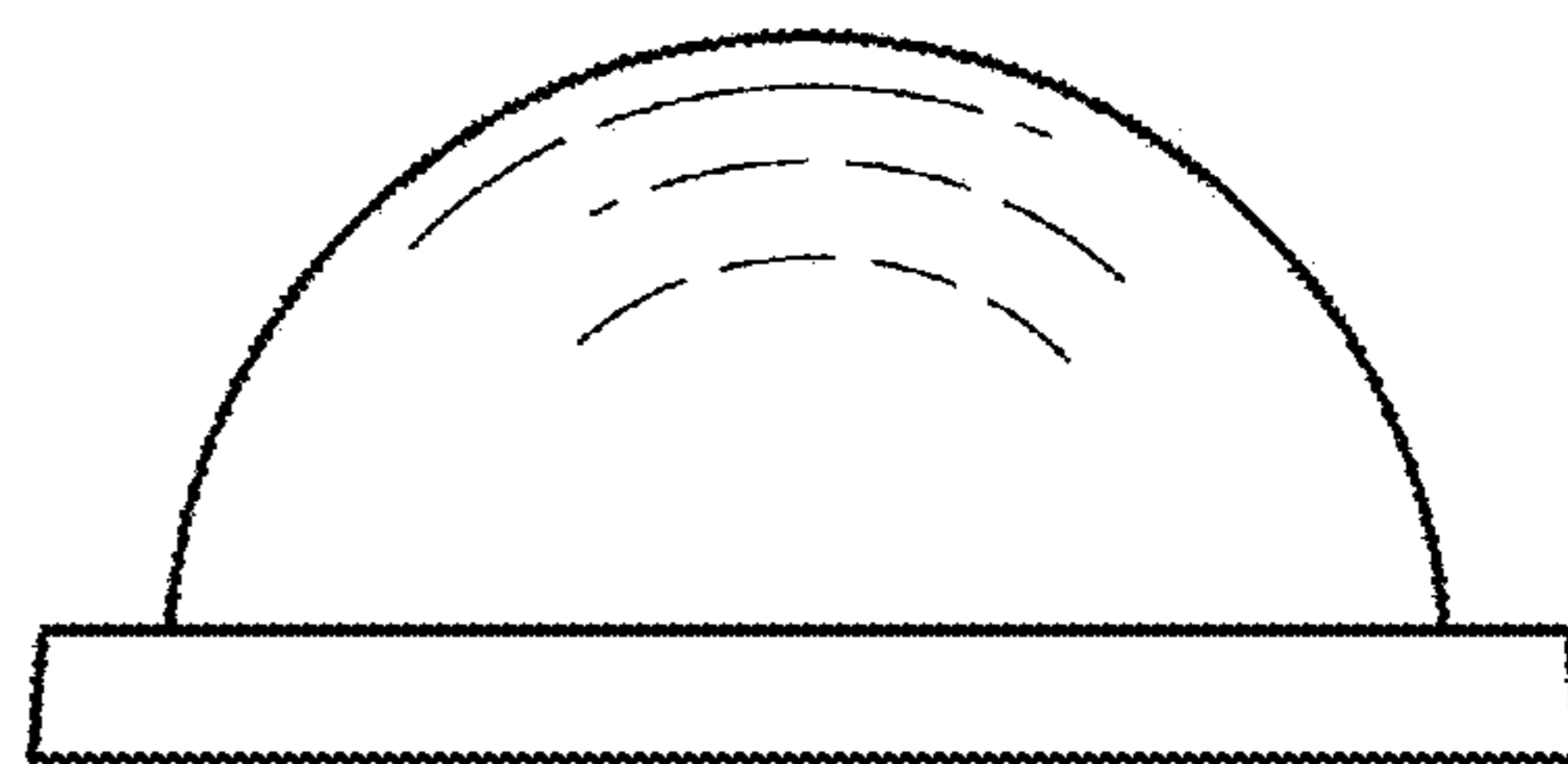
FIG. 4



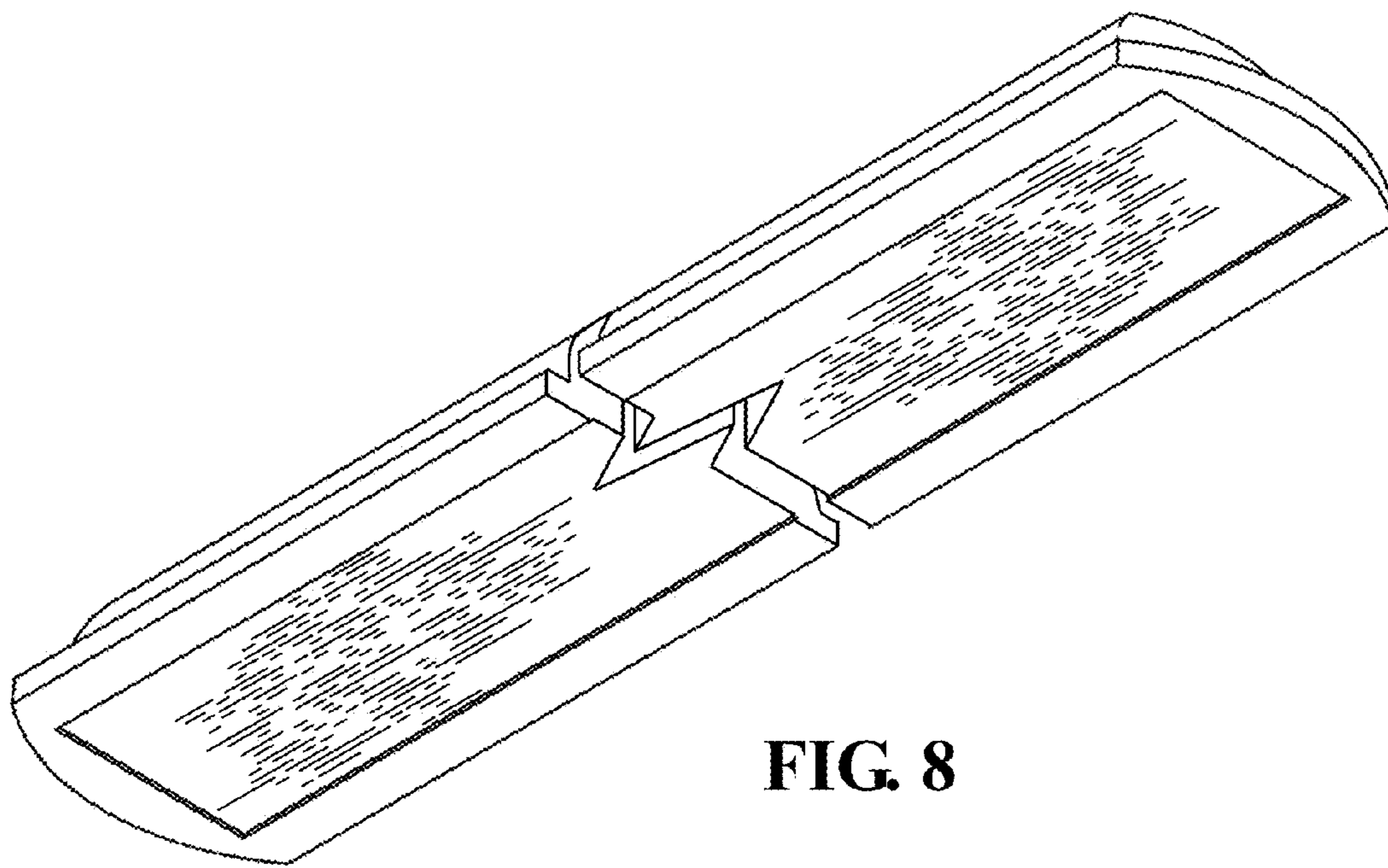
**FIG. 5**



**FIG. 6**



**FIG. 7**



**FIG. 8**