



US00D743851S

(12) **United States Design Patent**
Frascella

(10) **Patent No.:** **US D743,851 S**

(45) **Date of Patent:** **** Nov. 24, 2015**

(54) **REAR PORTION OF A VEHICLE**

(71) Applicant: **Jaguar Land Rover Limited**, Gaydon
Warwickshire (GB)

(72) Inventor: **Massimo Frascella**, Coventry (GB)

(73) Assignee: **Jaguar Land Rover Limited** (GB)

(**) Term: **14 Years**

(21) Appl. No.: **29/501,044**

(22) Filed: **Aug. 29, 2014**

(30) **Foreign Application Priority Data**

Mar. 5, 2014 (EM) 002417899

(51) **LOC (10) Cl.** **12-16**

(52) **U.S. Cl.**
USPC **D12/164**

(58) **Field of Classification Search**
USPC D12/169, 164, 196, 90-92, 86;
296/181.1, 181.5; 293/102, 113, 115,
293/117, 120; D21/424, 433, 434

CPC B62D 25/08; B62D 21/15; B62D 21/152;
B60R 19/02; B60R 19/34; B60R 19/44;
B60R 19/48

See application file for complete search history.

(56) **References Cited**

U.S. PATENT DOCUMENTS

D491,855 S * 6/2004 Velazco D12/196
D507,219 S * 7/2005 Boyer D12/196
D515,489 S * 2/2006 Tokutake D12/196
D520,928 S * 5/2006 Matei et al. D12/196
D558,658 S * 1/2008 Leclercq D12/196
D564,432 S * 3/2008 Pfeiffer D12/196

D582,824 S * 12/2008 Kobayashi D12/196
D585,004 S * 1/2009 Leclercq D12/196
D634,686 S * 3/2011 Matei et al. D12/196
D643,348 S * 8/2011 Burki et al. D12/164
D647,835 S * 11/2011 Sowa et al. D12/196
D650,721 S * 12/2011 Galante et al. D12/91
D663,665 S * 7/2012 Hakamata et al. D12/196
D681,529 S * 5/2013 Minami et al. D12/196
D695,177 S * 12/2013 Matsueda D12/196
D696,999 S * 1/2014 Suga et al. D12/196
D699,656 S * 2/2014 Watabe D12/196
D703,115 S * 4/2014 Fetherston et al. D12/164
D703,583 S * 4/2014 Howell et al. D12/91
8,708,379 B2 * 4/2014 Hirose 293/102
D718,695 S * 12/2014 Galante et al. D12/196

* cited by examiner

Primary Examiner — Eric Goodman

Assistant Examiner — Clese Moore, Jr.

(74) *Attorney, Agent, or Firm* — Fishman Stewart
Yamaguchi PLLC

(57) **CLAIM**

The ornamental design for a rear portion of a vehicle, as shown and described.

DESCRIPTION

FIG. 1 is a left perspective view of a rear portion for a vehicle;
FIG. 2 is a right perspective view thereof;
FIG. 3 is a rear view thereof;
FIG. 4 is a left side view thereof;
FIG. 5 is a right side view thereof;
FIG. 6 is a top plan view thereof; and,
FIG. 7 is another right perspective view, showing the rear
portion of a vehicle in the installed position.

Portions of the figures shown with a diagonal lines are for
purpose of illustrating environmental structure and form no
part of the claimed design.

1 Claim, 6 Drawing Sheets

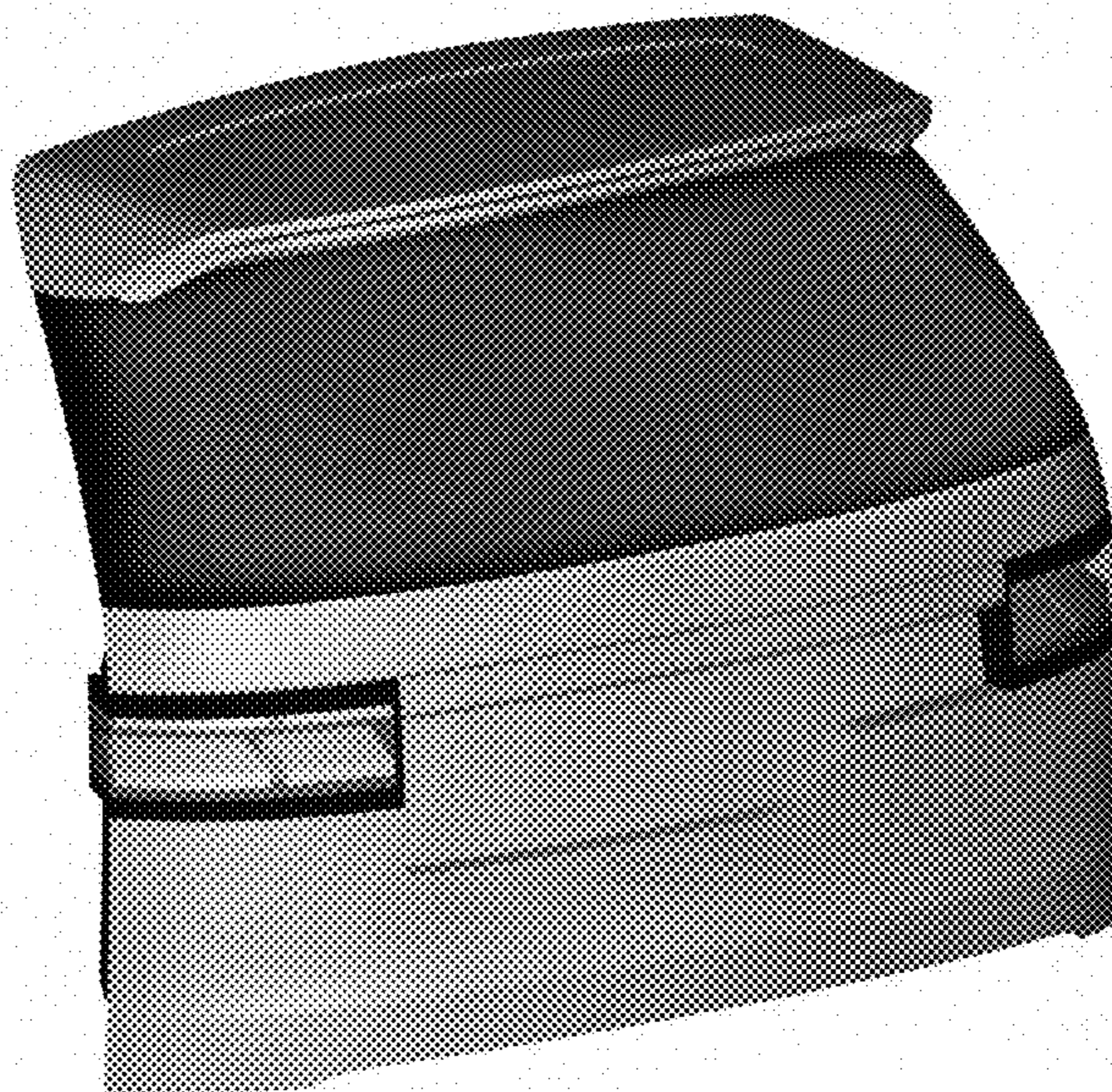




FIG. 1

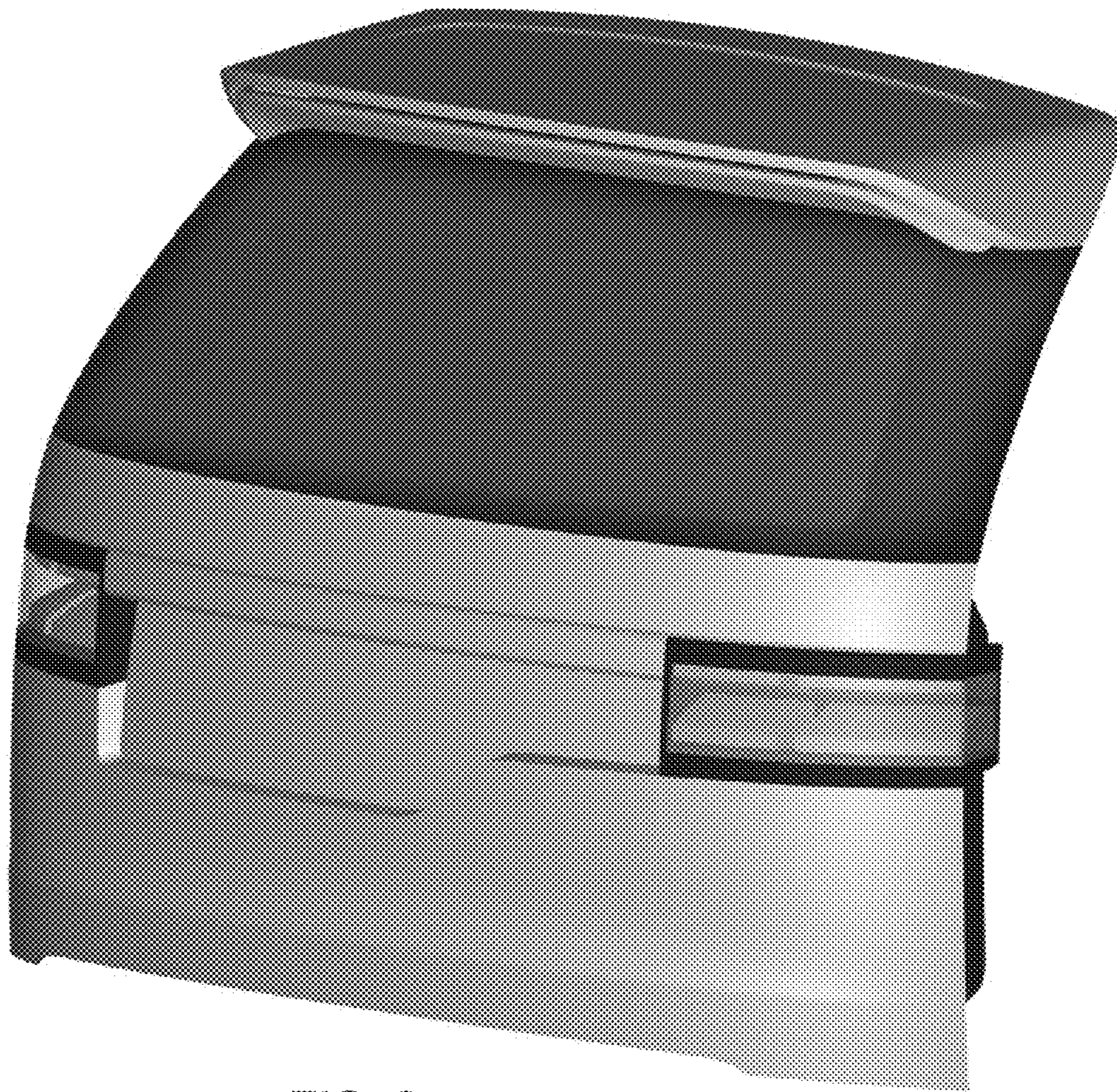


FIG. 2

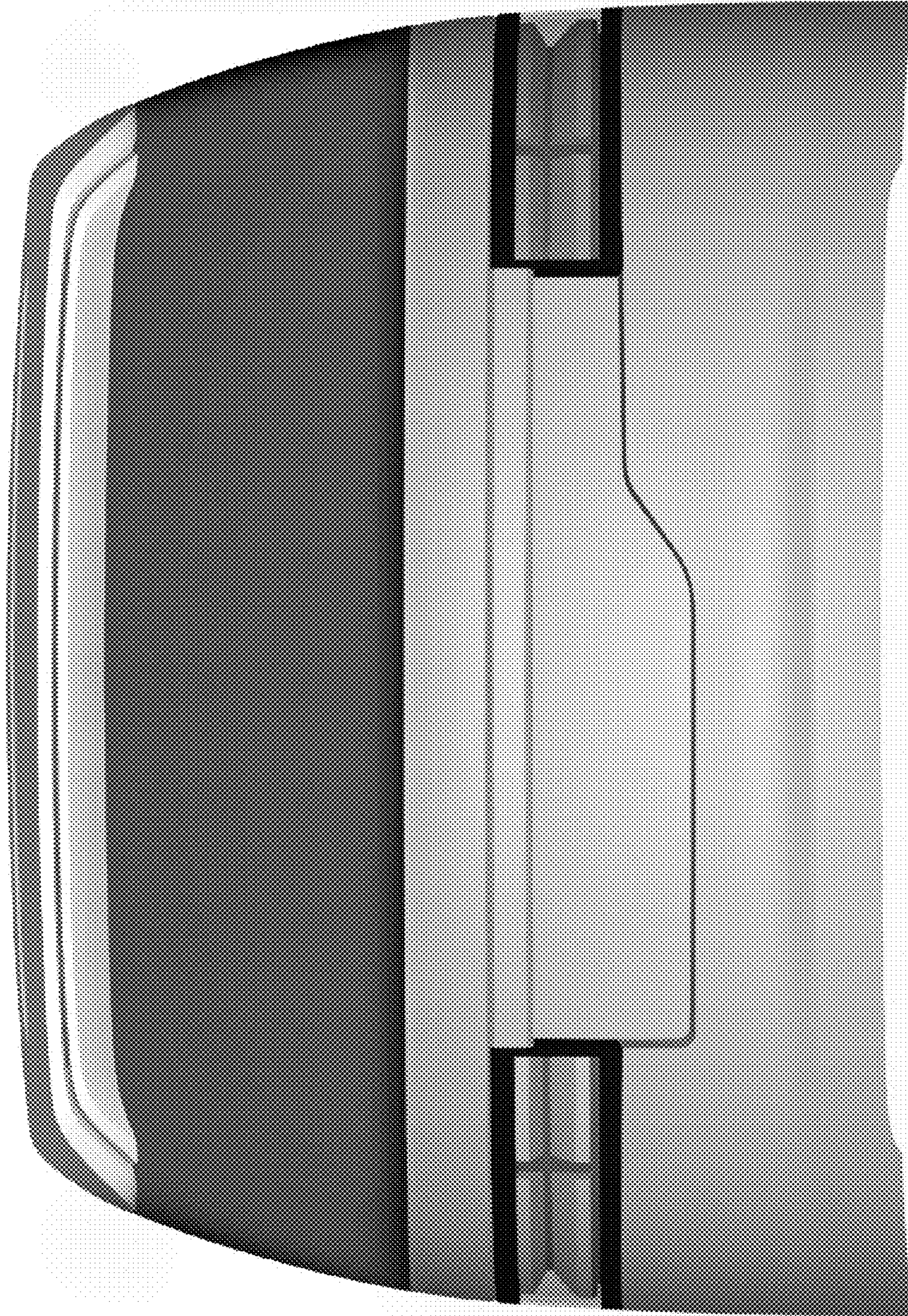


FIG. 3

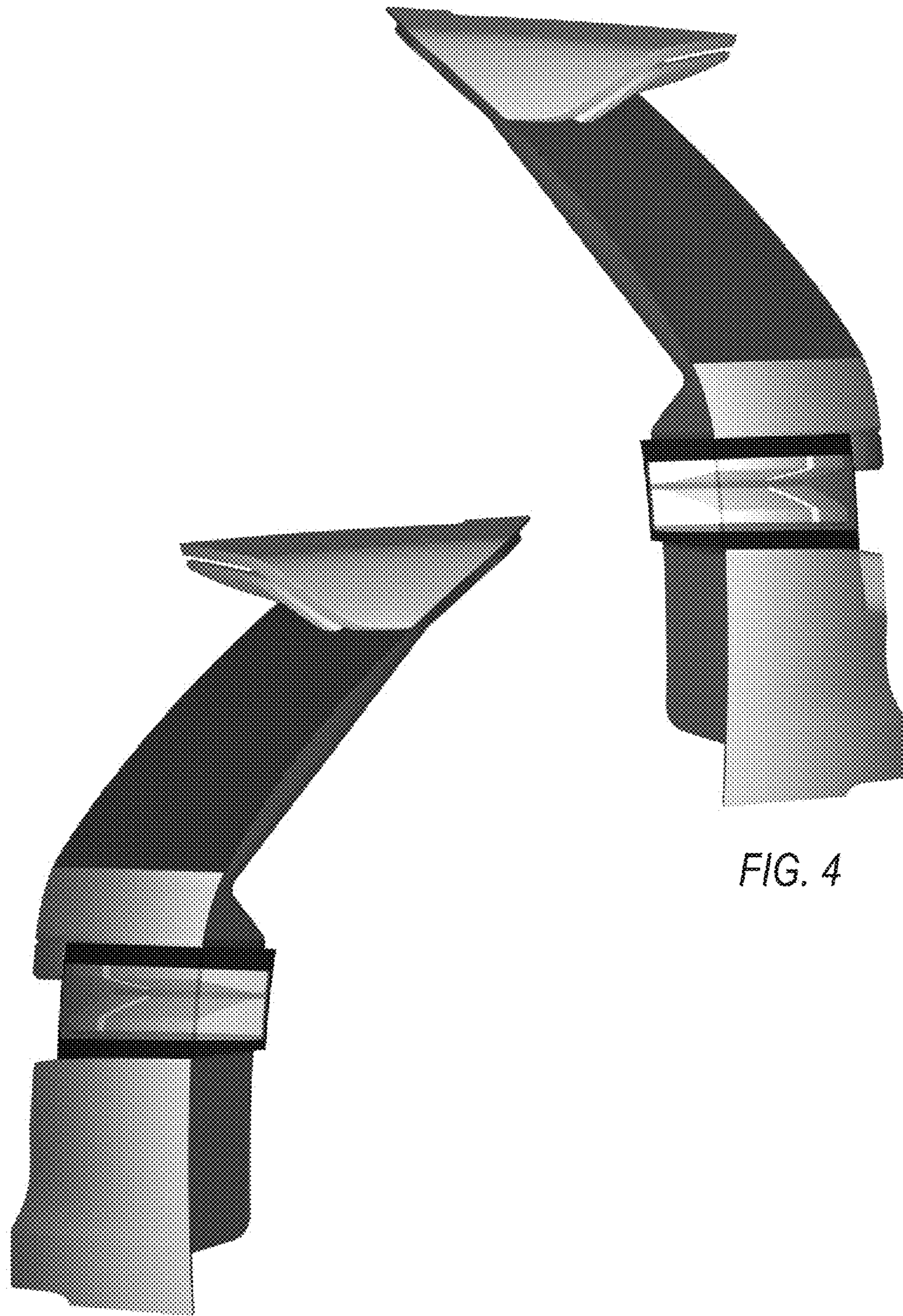


FIG. 4

FIG. 5

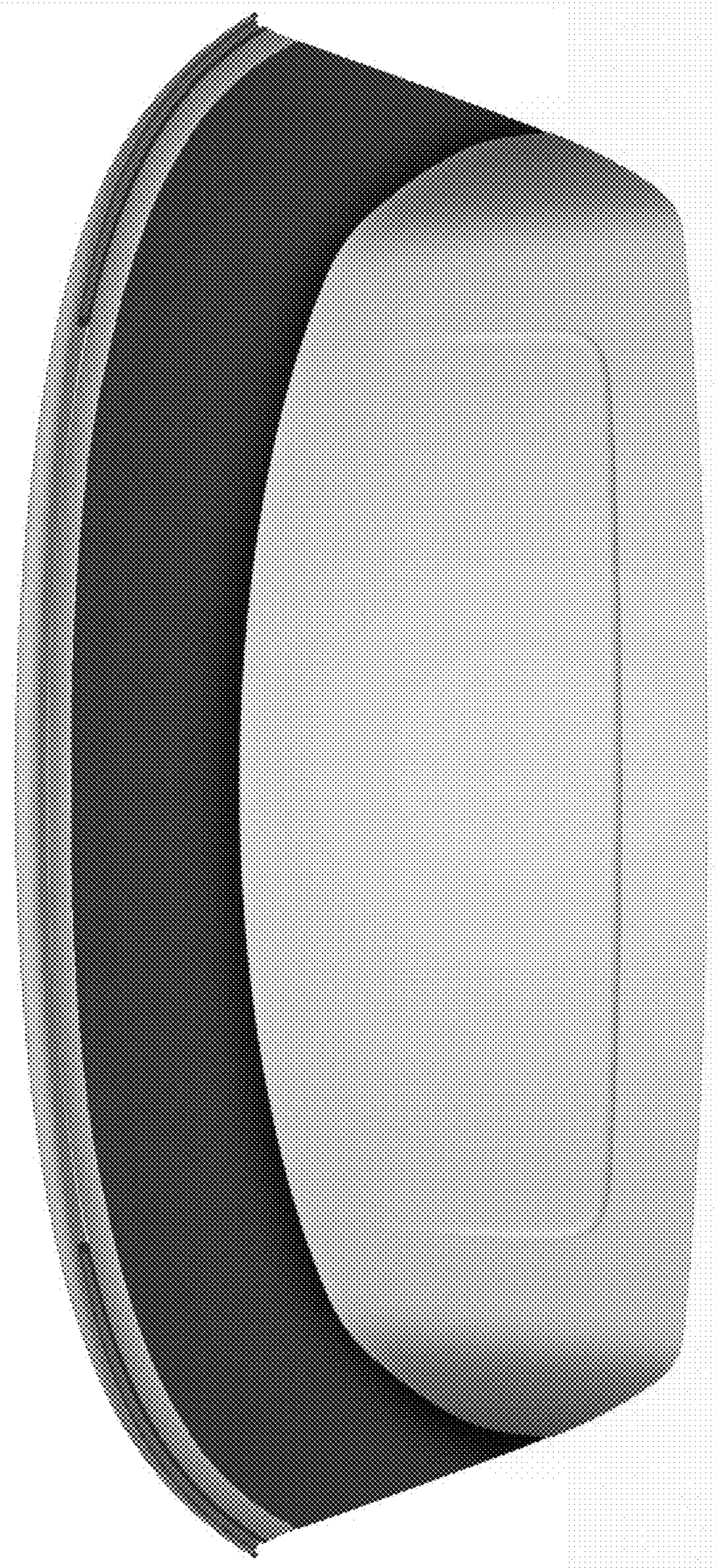


FIG. 6

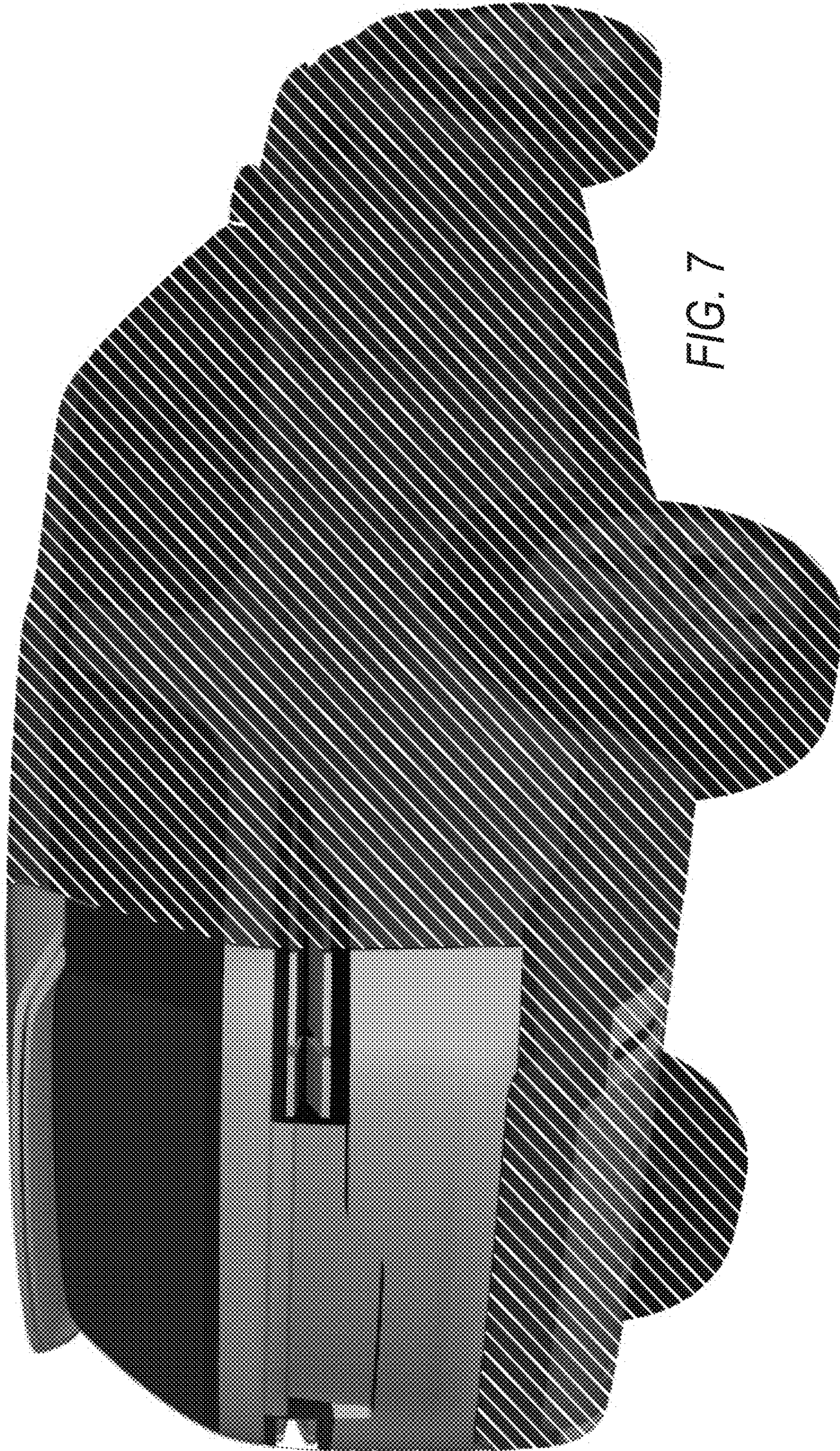


FIG. 7