

US00D743848S

(12) **United States Design Patent**
Farmer et al.

(10) **Patent No.:** **US D743,848 S**
(45) **Date of Patent:** **** Nov. 24, 2015**

- (54) **BUGGY**
- (71) Applicant: **Armon Limited**, Geneva (CH)
- (72) Inventors: **Edmund Farmer**, Seymour, CT (US);
Andrew Reed, Trumbull, CT (US);
Kevin John Daykin, Hollowell (GB);
Graham Frank Church, Northampton (GB)
- (73) Assignee: **ARMON LIMITED**, Geneva (CH)
- (**) Term: **14 Years**
- (21) Appl. No.: **29/473,185**
- (22) Filed: **Nov. 19, 2013**
- (51) **LOC (10) Cl.** **12-12**
- (52) **U.S. Cl.**
USPC **D12/129**
- (58) **Field of Classification Search**
USPC D12/128-133; 280/62, 647-650, 29,
280/200, 47.38, 250.1, 259, 642, 658,
280/304.1; 128/99.1, 100.1
See application file for complete search history.

- D584,194 S * 1/2009 Zweideck D12/129
- D615,004 S * 5/2010 Ohnishi D12/129
- D616,792 S * 6/2010 Jacobs D12/129
- D640,174 S * 6/2011 Lai D12/129
- D654,406 S * 2/2012 Henry D12/129
- 8,186,706 B2 * 5/2012 Dotsey 280/647
- D677,604 S * 3/2013 Ide et al. D12/129
- D677,605 S * 3/2013 Ide et al. D12/129

* cited by examiner

Primary Examiner — Susan Bennett Hattan

Assistant Examiner — Charles Hanson

(74) *Attorney, Agent, or Firm* — Howard & Howard Attorneys PLLC

(57) **CLAIM**

We claim the ornamental design for a buggy, as shown and described.

DESCRIPTION

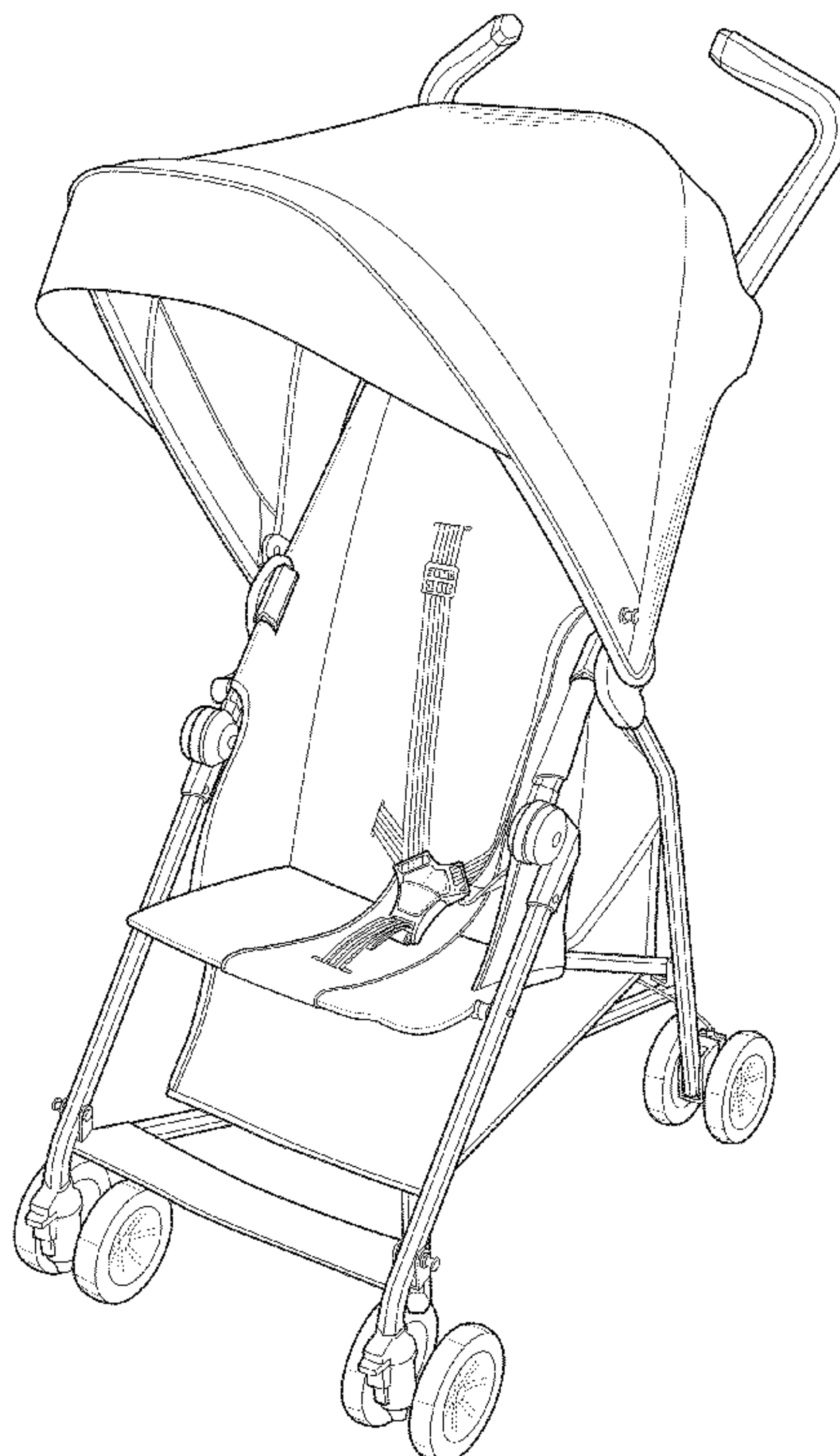
FIG. 1 is a perspective view of the new design of a buggy;
 FIG. 2 is a front view of the new design of a buggy;
 FIG. 3 is a left side elevation view of the buggy;
 FIG. 4 is a rear view of the buggy;
 FIG. 5 is a right view of the buggy;
 FIG. 6 is a top view of the buggy; and,
 FIG. 7 is a bottom view of the buggy.
 The broken line showing within the wheels is included for the purpose of illustrating environment and forms no part of the claimed design.

1 Claim, 7 Drawing Sheets

(56) **References Cited**

U.S. PATENT DOCUMENTS

- D463,330 S * 9/2002 Yang et al. D12/129
- D486,428 S * 2/2004 Daykin D12/129
- D528,948 S * 9/2006 Daykin D12/129
- D579,826 S * 11/2008 Grim D12/129
- D583,718 S * 12/2008 Zweideck D12/129



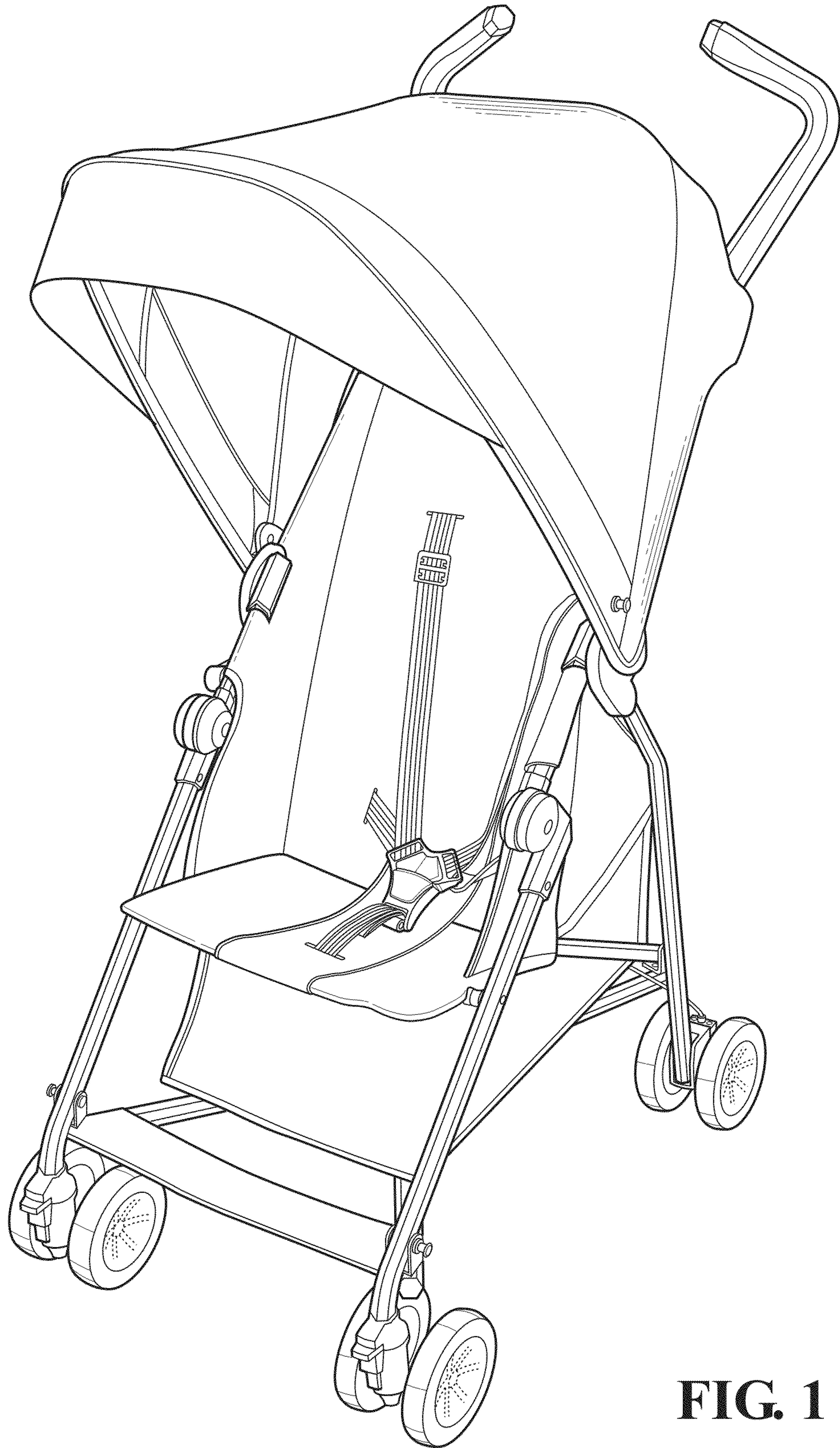


FIG. 1

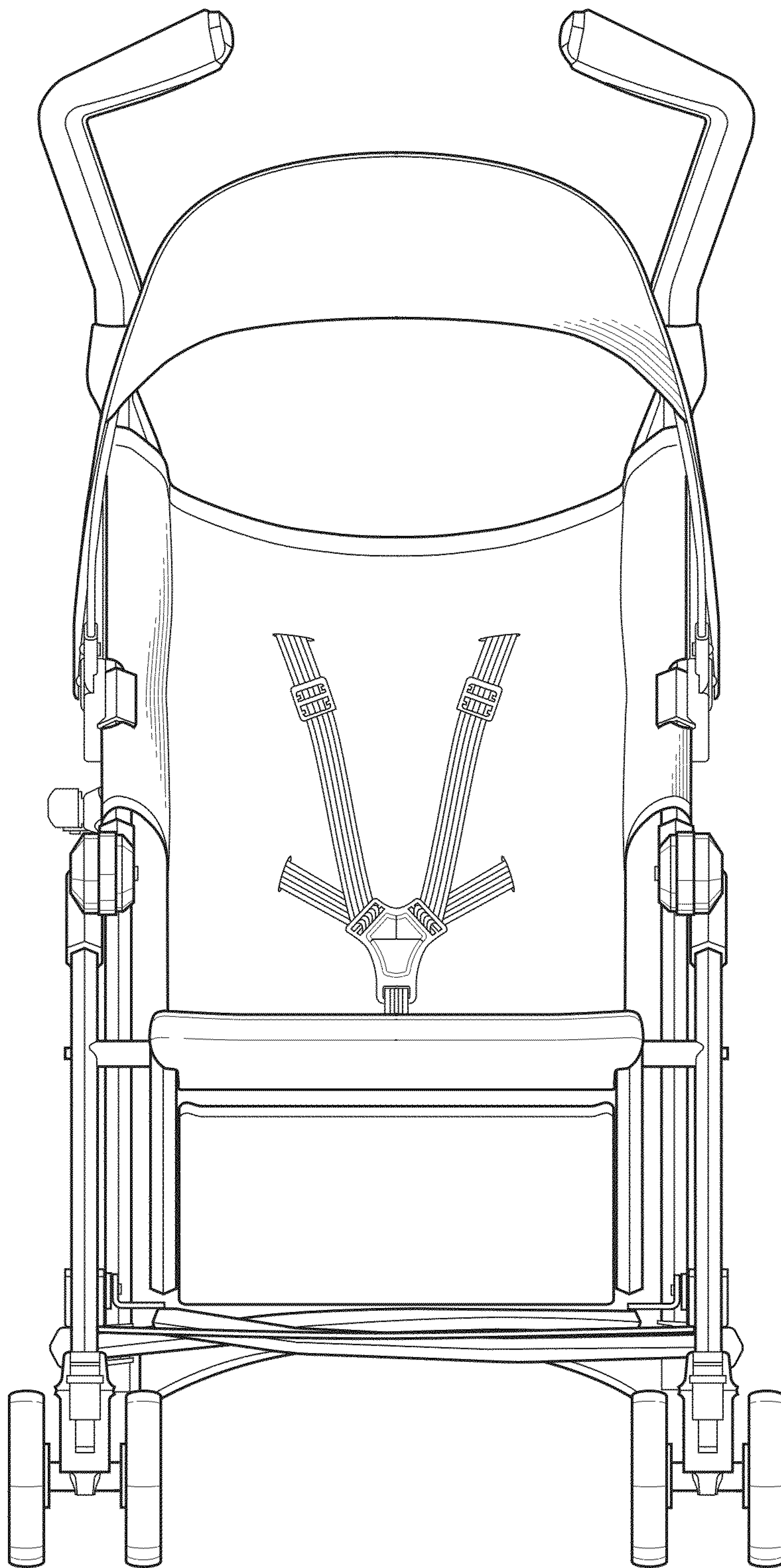


FIG. 2

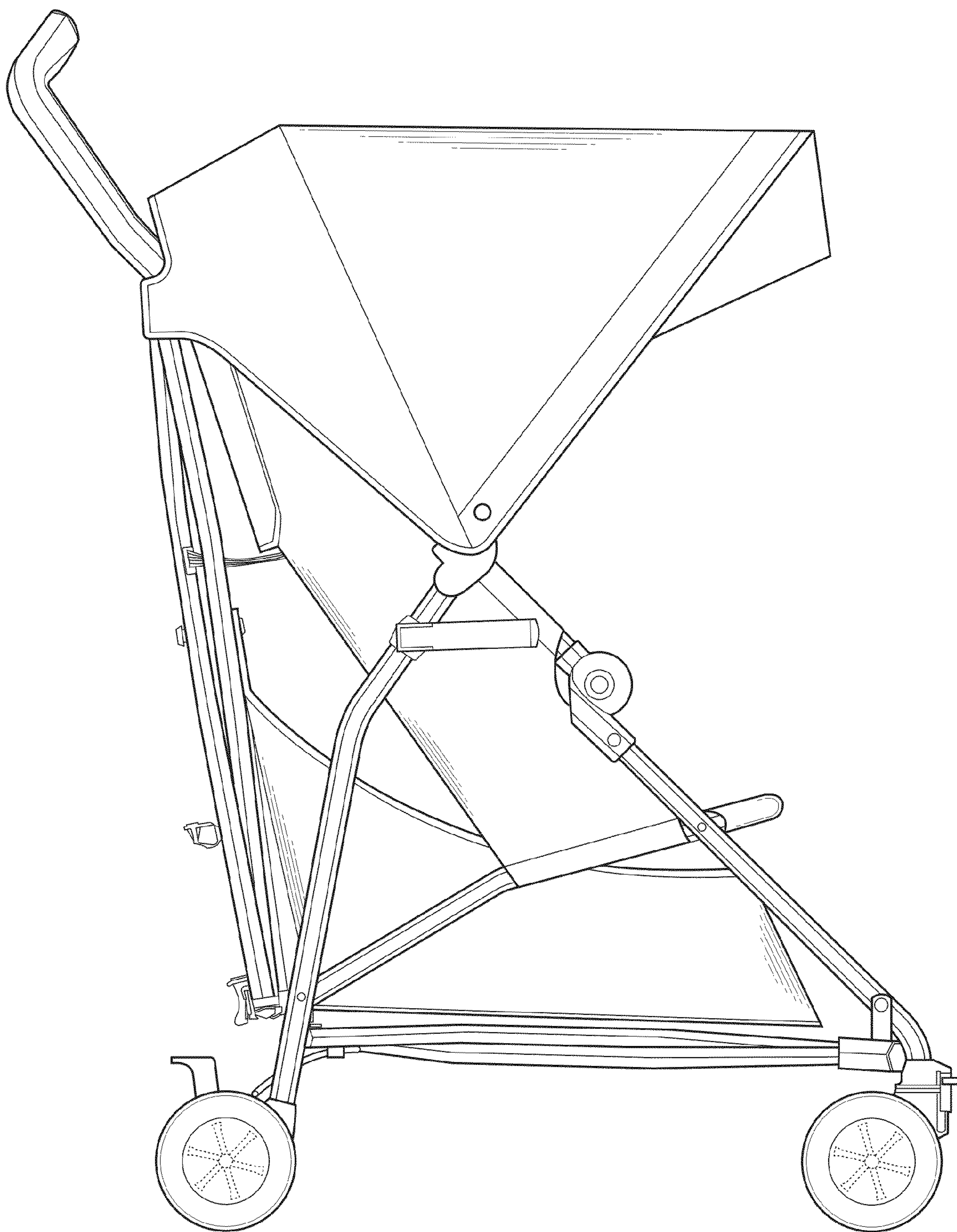


FIG. 3

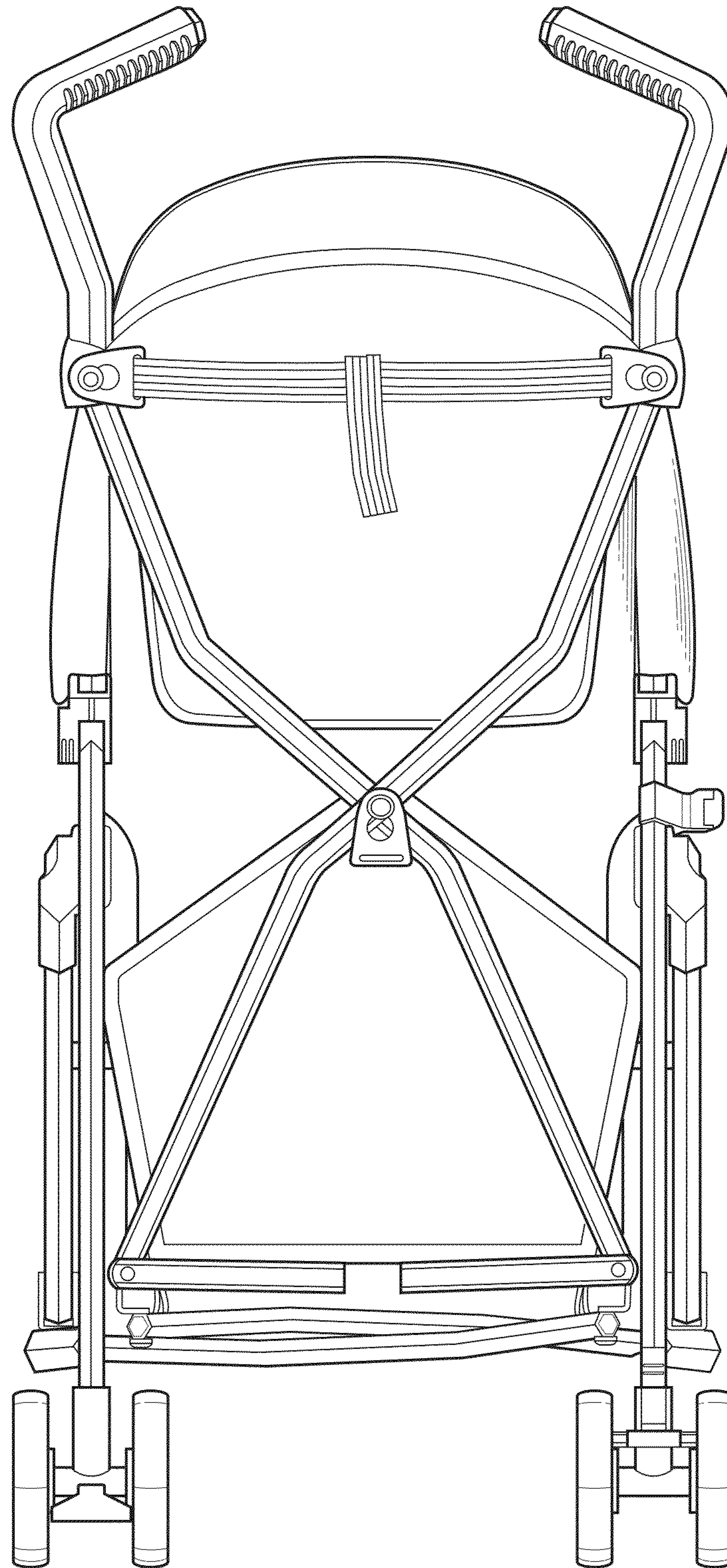


FIG. 4

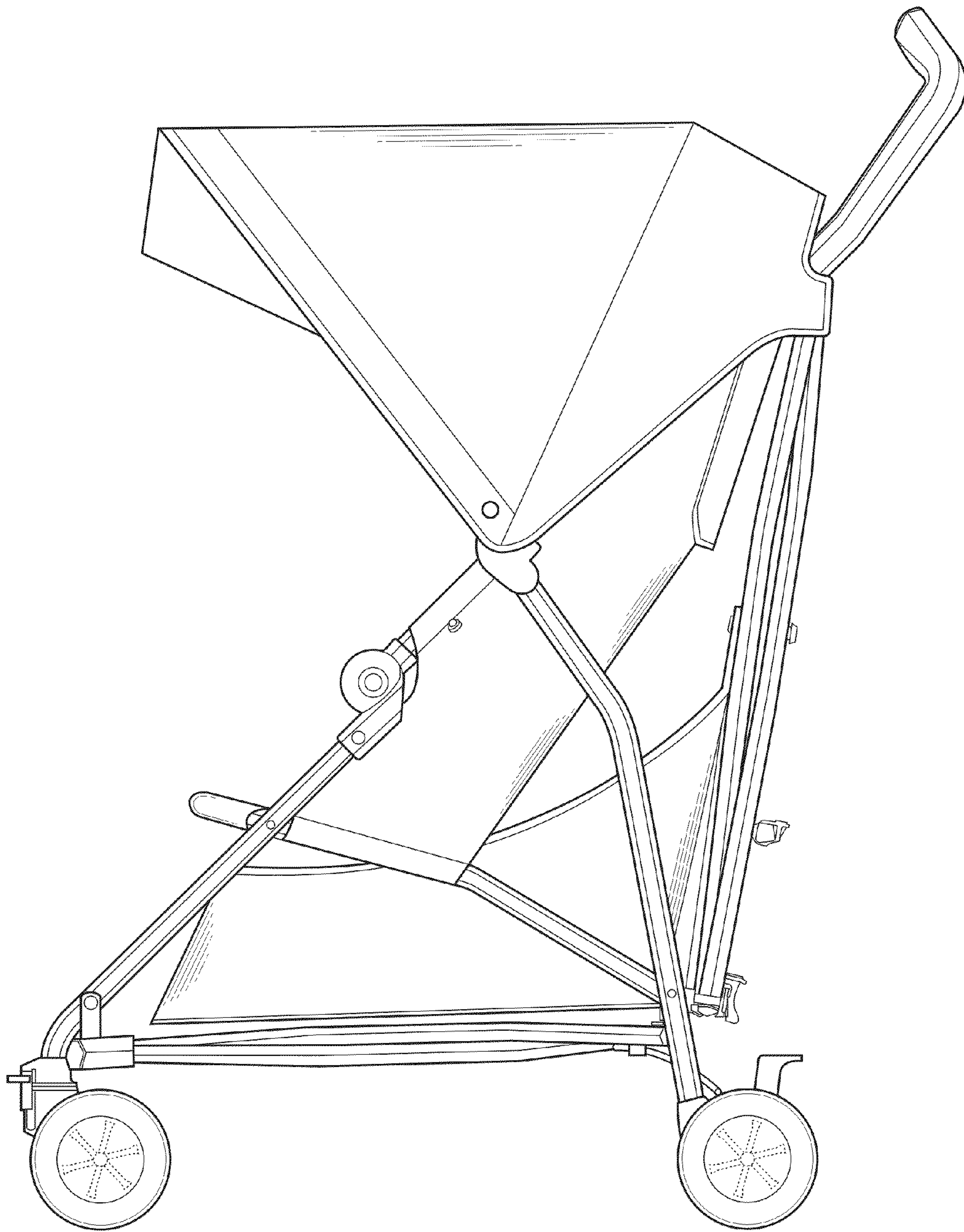


FIG. 5

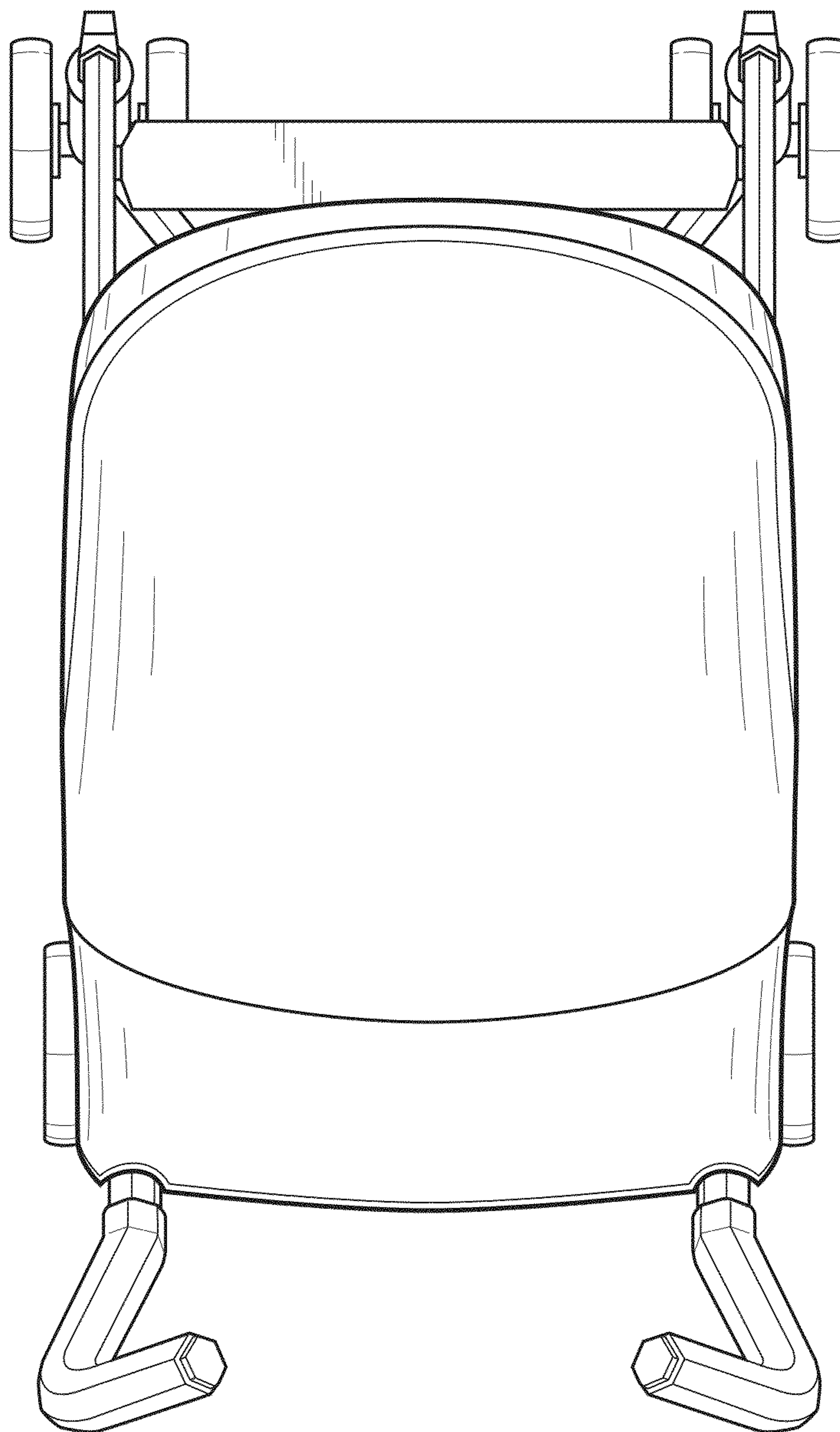


FIG. 6

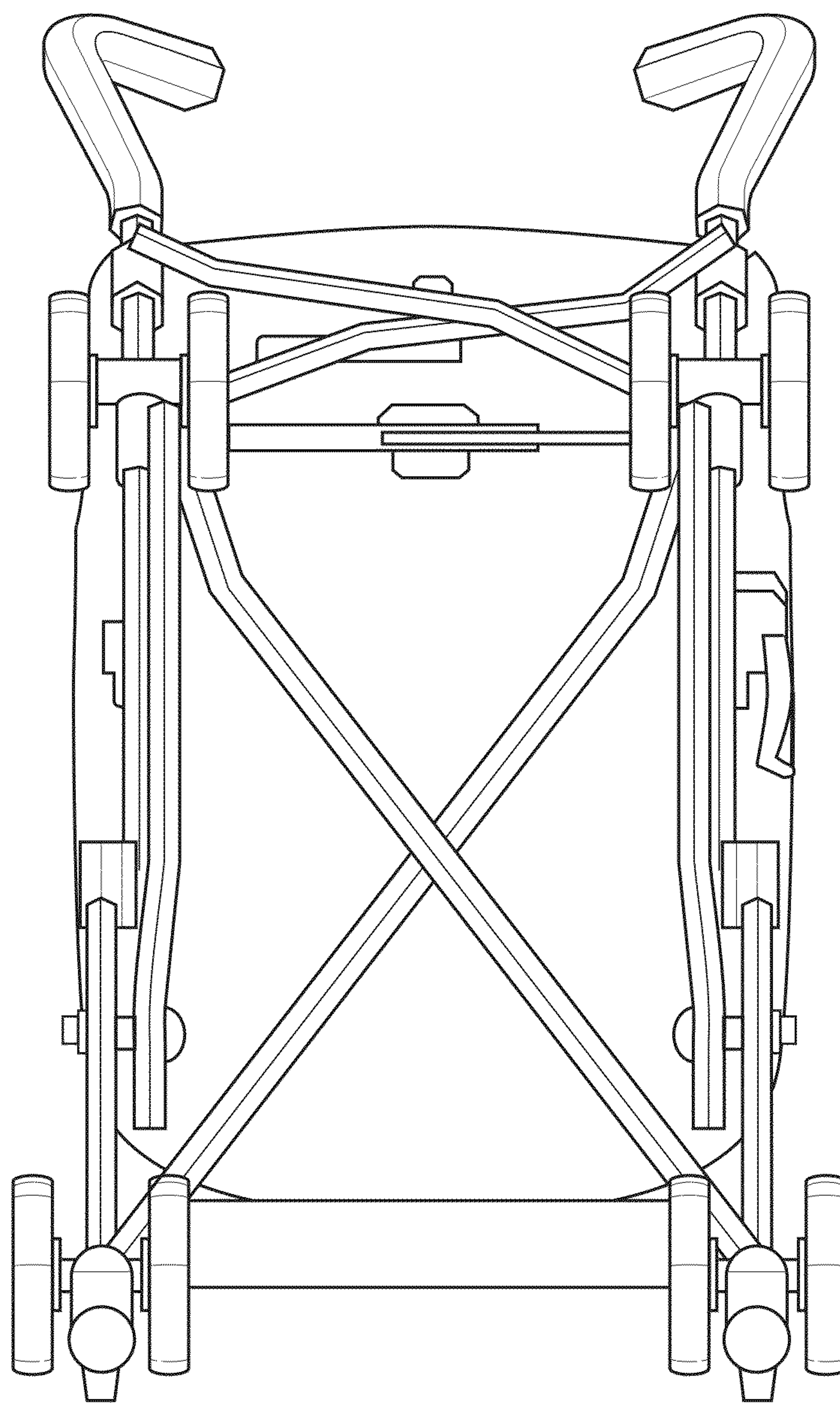


FIG. 7