



US00D743847S

(12) **United States Design Patent**  
**Hansen**

(10) **Patent No.:** **US D743,847 S**

(45) **Date of Patent:** **\*\* Nov. 24, 2015**

(54) **TRAILER TONGUE COVER**

(71) Applicant: **Gordon Hansen**, Pleasant Grove, UT  
(US)

(72) Inventor: **Gordon Hansen**, Pleasant Grove, UT  
(US)

(\*\*) Term: **14 Years**

(21) Appl. No.: **29/488,613**

(22) Filed: **Apr. 22, 2014**

(51) **LOC (10) Cl.** ..... **12-10**

(52) **U.S. Cl.**  
USPC ..... **D12/106**

(58) **Field of Classification Search**  
USPC ..... D12/106, 19, 129, 100-105, 111, 112;  
D21/425, 435; D34/21-26, 12, 16-19  
CPC ..... B60R 9/06  
See application file for complete search history.

(56) **References Cited**

**U.S. PATENT DOCUMENTS**

5,421,601	A *	6/1995	Hinze et al.	280/507
5,681,053	A	10/1997	Misukanis	
6,698,794	B2	3/2004	Trampe	
D496,322	S	9/2004	Farney	
D575,214	S *	8/2008	Valadao	D12/194
D605,565	S *	12/2009	Nyenhuis et al.	D12/162
7,883,103	B1	2/2011	Greaves, Jr.	
8,172,249	B2	5/2012	Trubody	

8,196,949	B1	6/2012	Hernandez	
2006/0049661	A1 *	3/2006	Mazzarelli et al.	296/136.1
2006/0061064	A1	3/2006	Johnson	
2009/0200771	A1 *	8/2009	Prine	280/507
2009/0322061	A1 *	12/2009	Rodriguez	280/507
2014/0070518	A1 *	3/2014	Sarajian et al.	280/507

**FOREIGN PATENT DOCUMENTS**

CA 2456898 8/2005

\* cited by examiner

*Primary Examiner* — Kartina A Betton

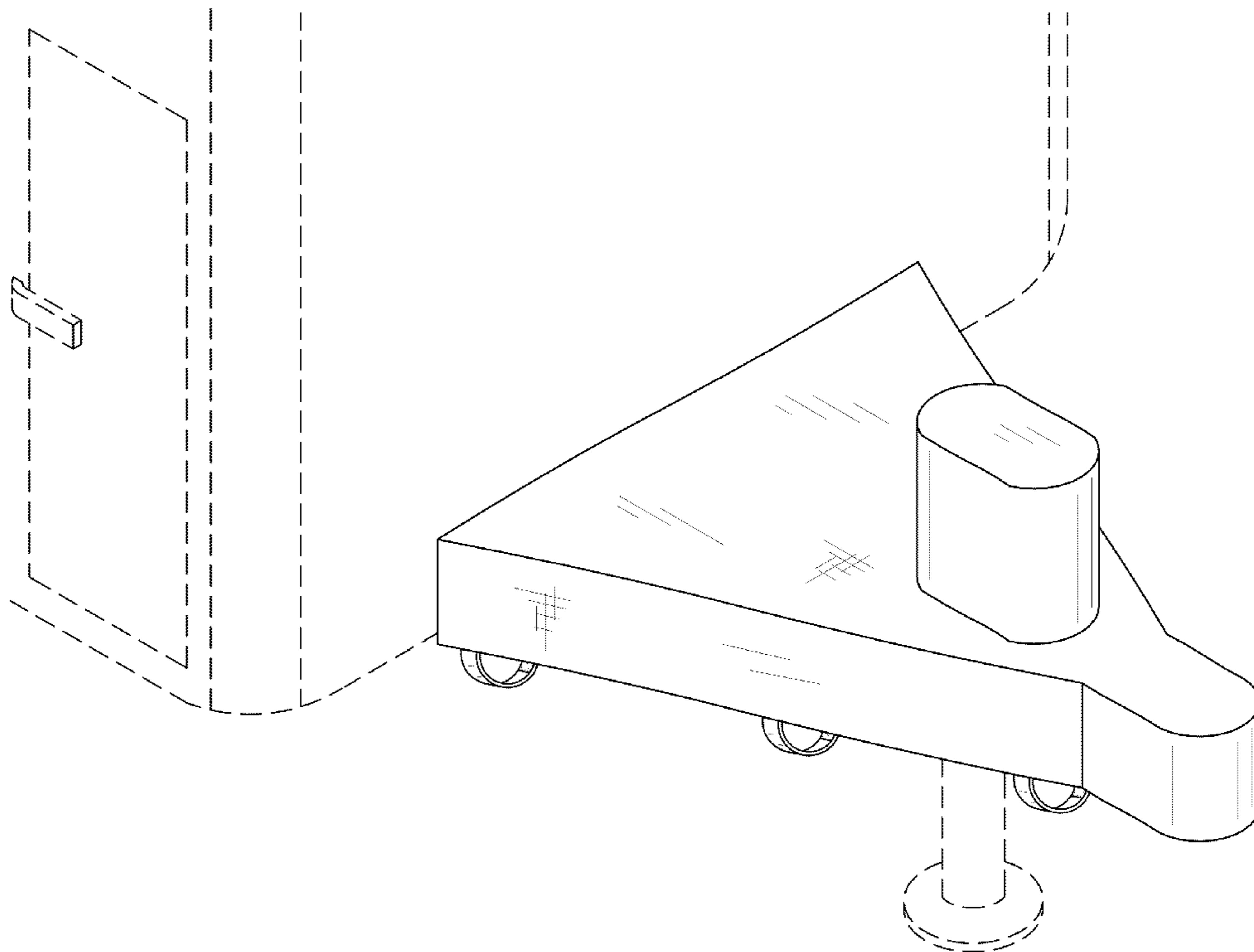
(57) **CLAIM**

I claim the ornamental design for a trailer tongue cover, as shown and described.

**DESCRIPTION**

FIG. 1 is a left side view of the trailer tongue cover. FIG. 2 is a front view of the claimed design. FIG. 3 is a rear view of the claimed design. FIG. 4 is a top view of the claimed design. FIG. 5 is a bottom view of the claimed design; and, FIG. 6 is a perspective view of the claimed design. The trailer and jack of FIG. 6 are depicted in broken lines, which is environmental matter that forms no part of the claimed design.

**1 Claim, 6 Drawing Sheets**



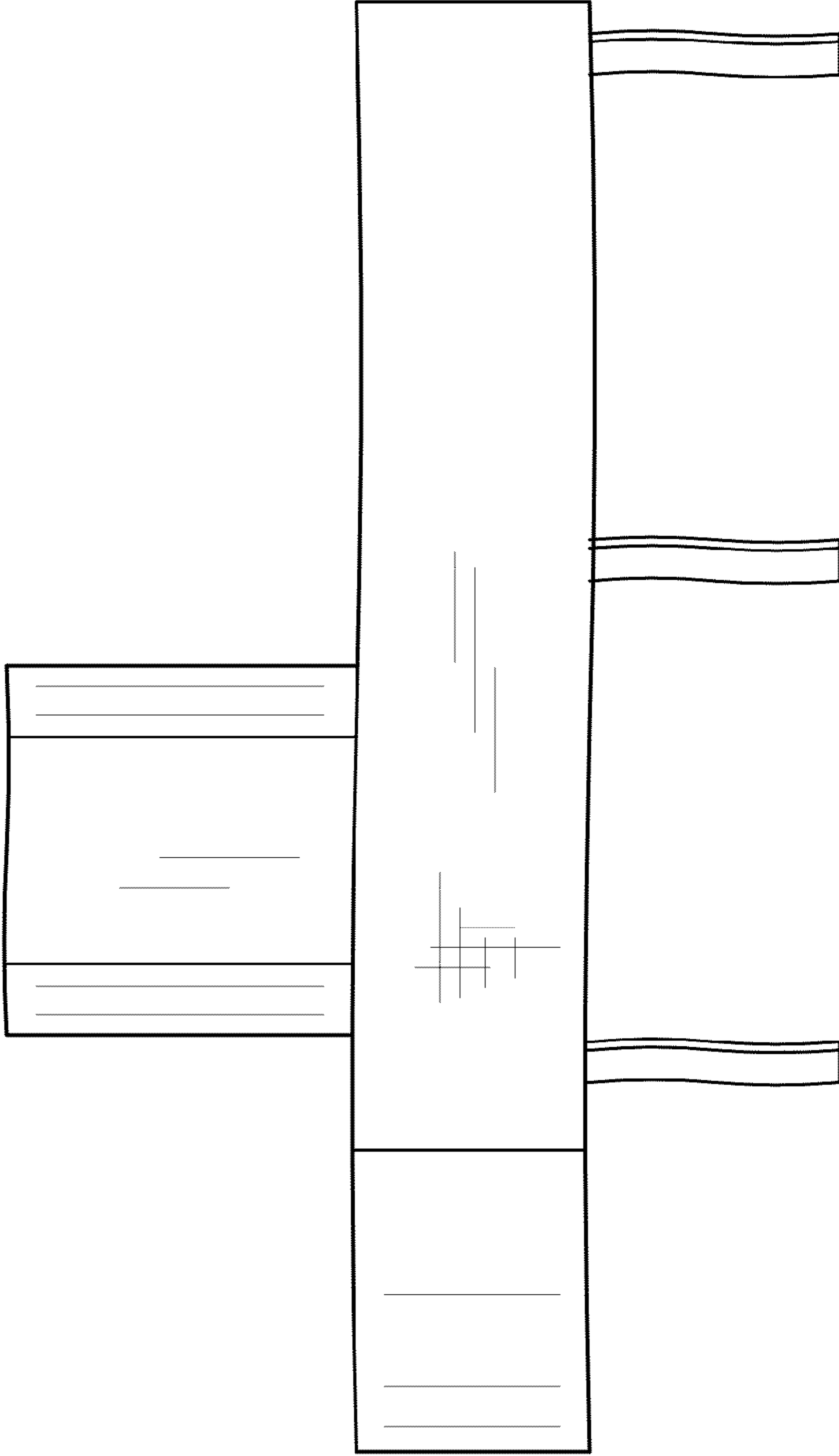


FIG. 1

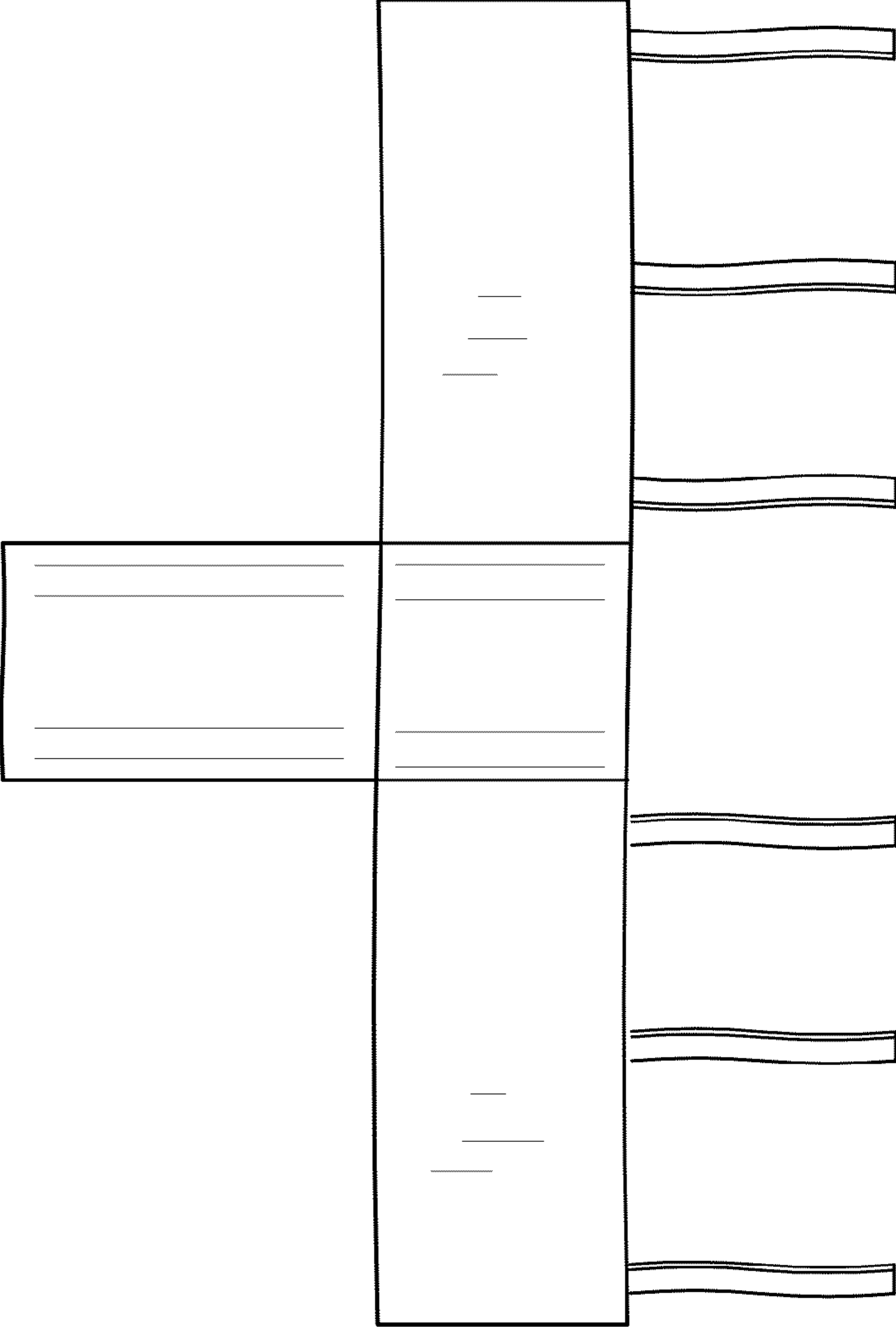


FIG. 2

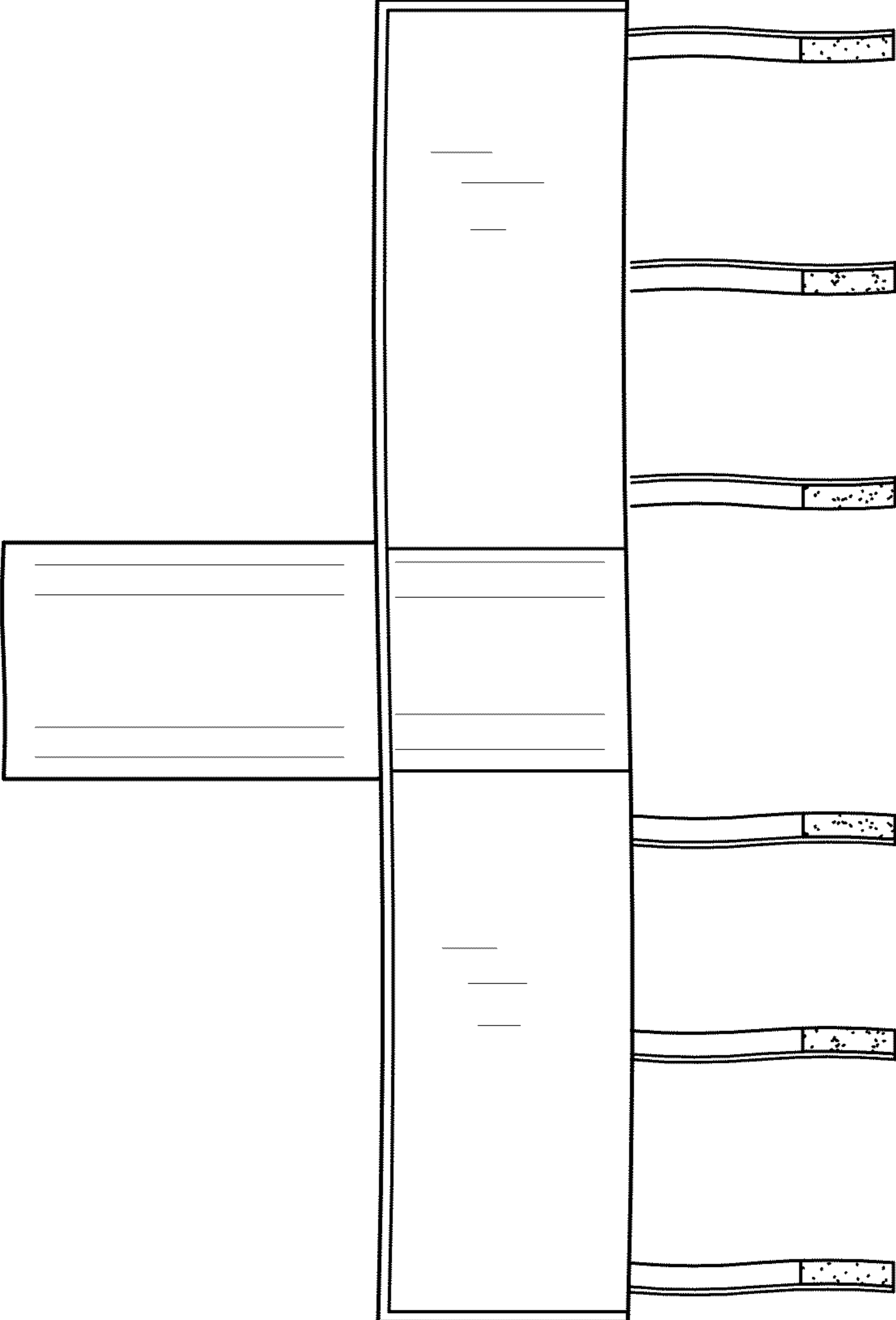


FIG. 3

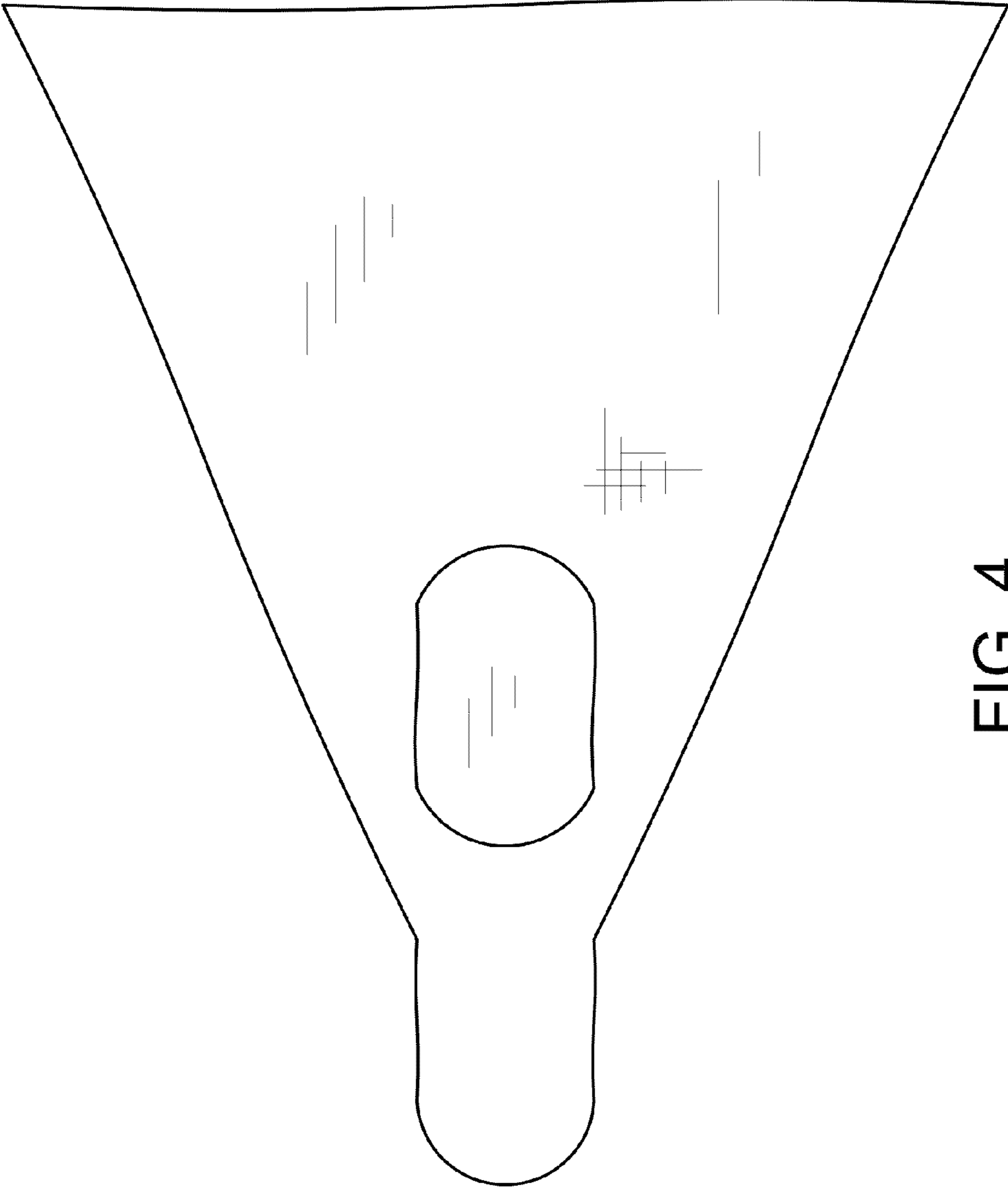


FIG. 4

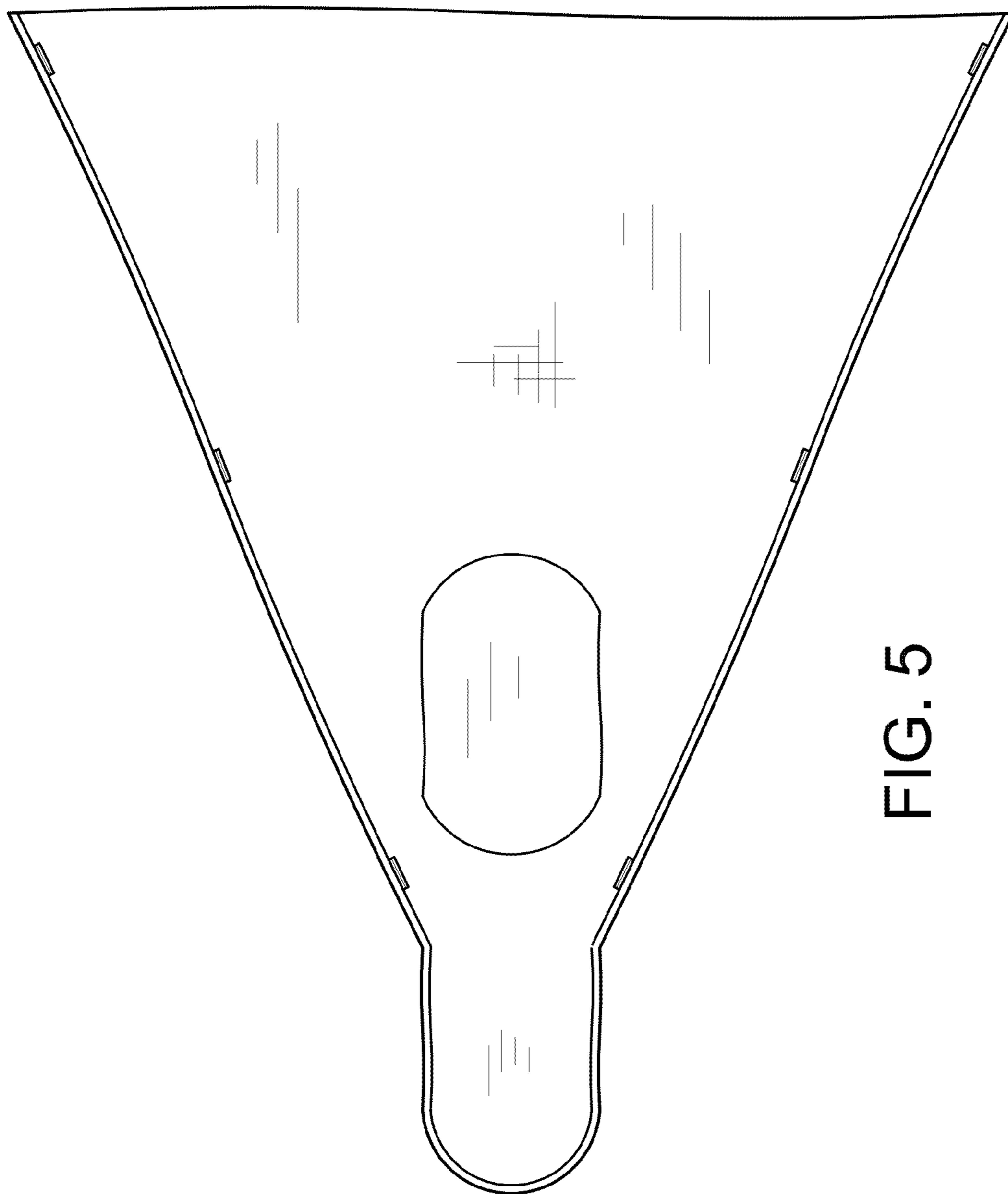


FIG. 5

