



US00D743846S

(12) **United States Design Patent**
Guille

(10) **Patent No.:** **US D743,846 S**
(45) **Date of Patent:** **** Nov. 24, 2015**

(54) **VEHICLE, TOY, AND/OR REPLICAS THEREOF**

(71) Applicant: **Bayerische Motoren Werke Aktiengesellschaft, Munich (DE)**

(72) Inventor: **Nicolas Guille, Munich (DE)**

(73) Assignee: **Bayerische Motoren Werke Aktiengesellschaft, Munich (DE)**

(**) Term: **14 Years**

(21) Appl. No.: **29/502,383**

(22) Filed: **Sep. 16, 2014**

(30) **Foreign Application Priority Data**

Mar. 17, 2014 (DE) 40 2014 100 280

(51) **LOC (10) Cl.** **12-08**

(52) **U.S. Cl.**
USPC **D12/92**

(58) **Field of Classification Search**
USPC D12/86, 90-92; D21/421, 433, 434;
296/181.1, 181.5
CPC B62D 35/00; B62D 25/00; B62D 25/06;
B62D 33/00
See application file for complete search history.

(56) **References Cited**

U.S. PATENT DOCUMENTS

D593,000 S 5/2009 Habib
D620,843 S * 8/2010 Froehlich D12/92

D638,753 S * 5/2011 Faghihzadeh D12/92
D638,754 S * 5/2011 Faghihzadeh D12/92
D639,209 S * 6/2011 Faghihzadeh D12/92
D714,191 S * 9/2014 Selvaag D12/92
D714,192 S * 9/2014 Huet D12/92
D714,687 S * 10/2014 Selvaag D12/92
D716,187 S * 10/2014 Beermann D12/92
D716,189 S * 10/2014 Nordmann D12/92
D727,795 S * 4/2015 Wagner et al. D12/91
D727,796 S * 4/2015 Weil D12/92
D727,797 S * 4/2015 Weil D12/92
D728,429 S * 5/2015 Nissl D12/92

FOREIGN PATENT DOCUMENTS

EM 000934468-0001 10/2009
EM 002464578-0001 5/2014

* cited by examiner

Primary Examiner — Melody N Brown

(74) *Attorney, Agent, or Firm* — Crowell & Moring LLP

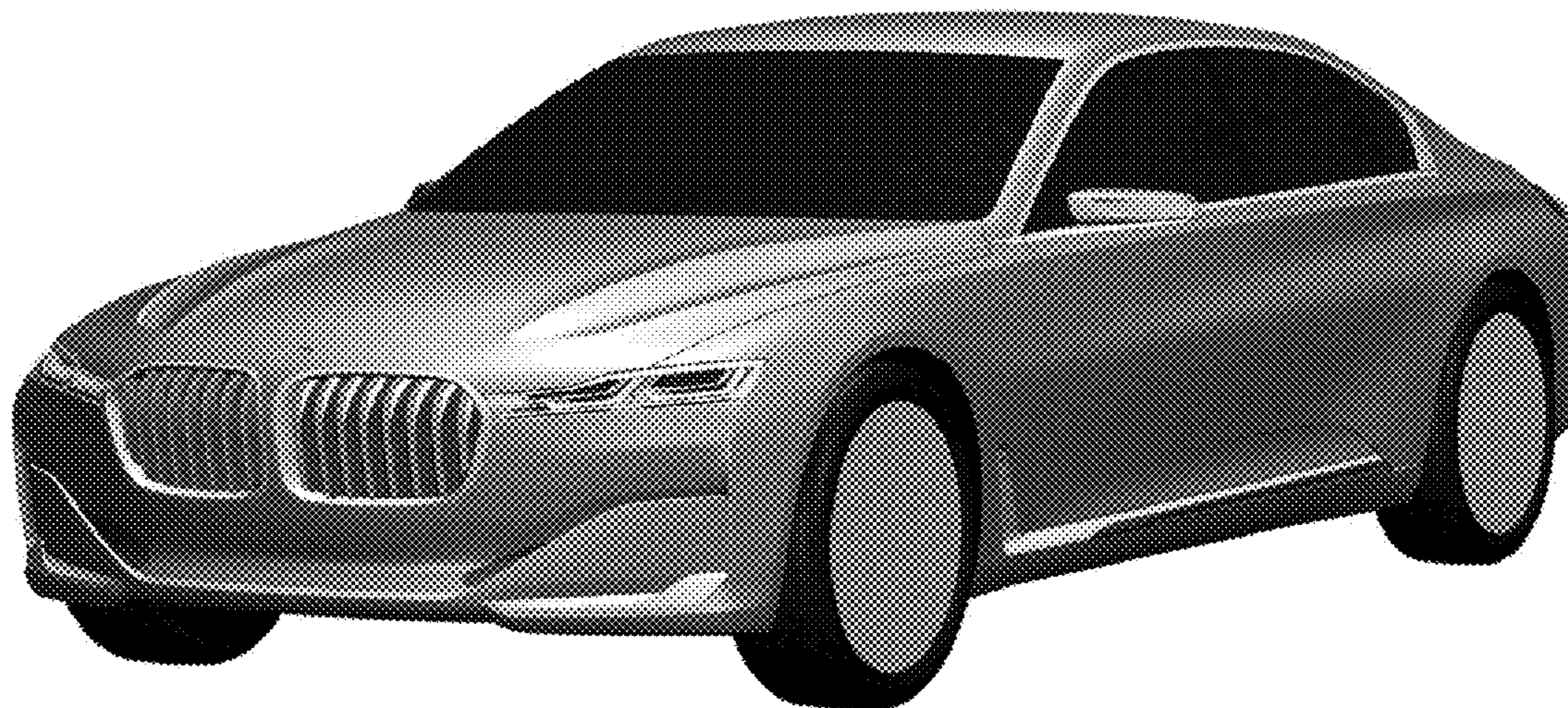
(57) **CLAIM**

The ornamental design for a vehicle, toy, and/or replicas thereof, as shown and described.

DESCRIPTION

FIG. 1 is a left, front perspective view of a vehicle, toy, and/or replicas thereof according to the design;
FIG. 2 is a left side view thereof;
FIG. 3 is a right side view thereof;
FIG. 4 is a left, rear perspective view thereof;
FIG. 5 is a front view thereof;
FIG. 6 is a rear view thereof; and,
FIG. 7 is a top view thereof.

1 Claim, 7 Drawing Sheets



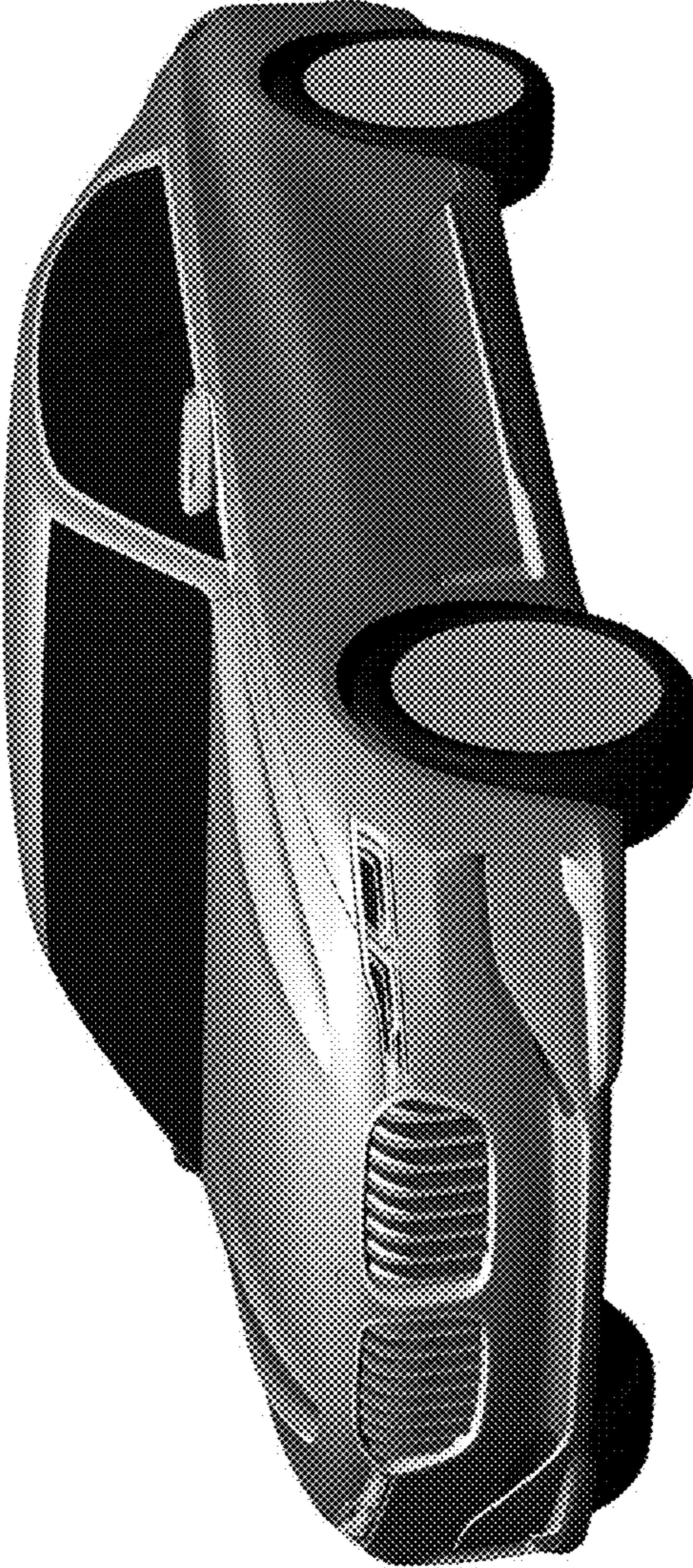


Fig. 1

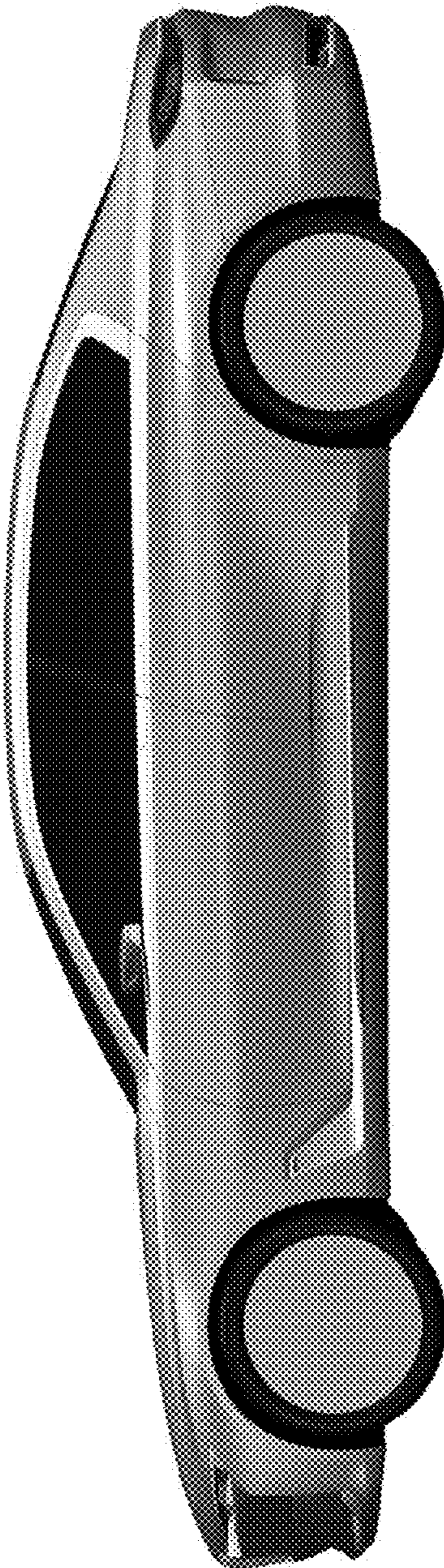


Fig. 2

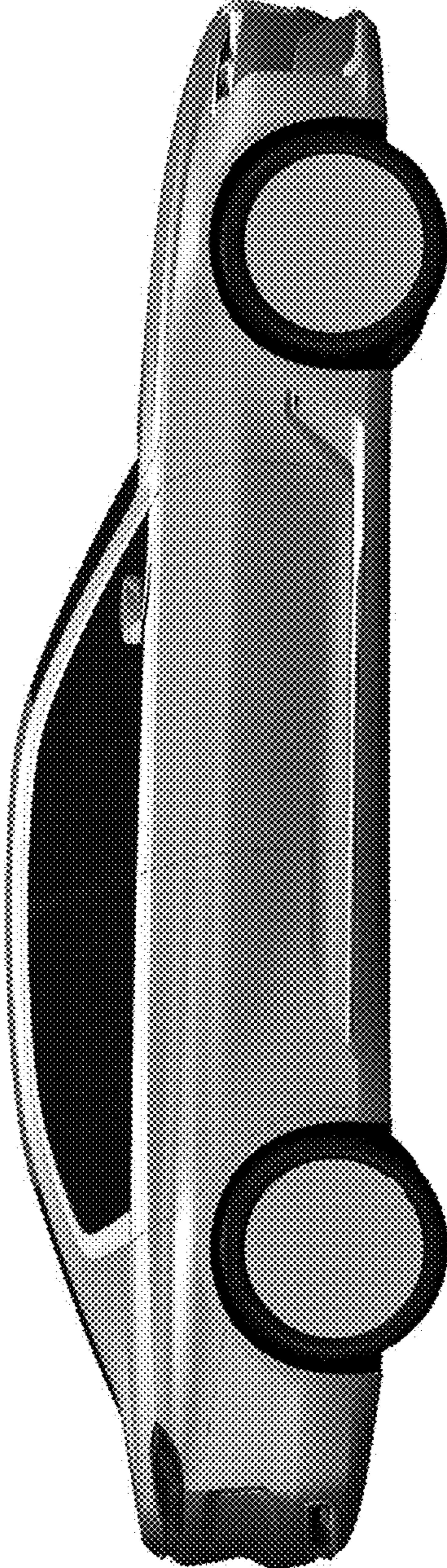


Fig. 3



Fig. 4

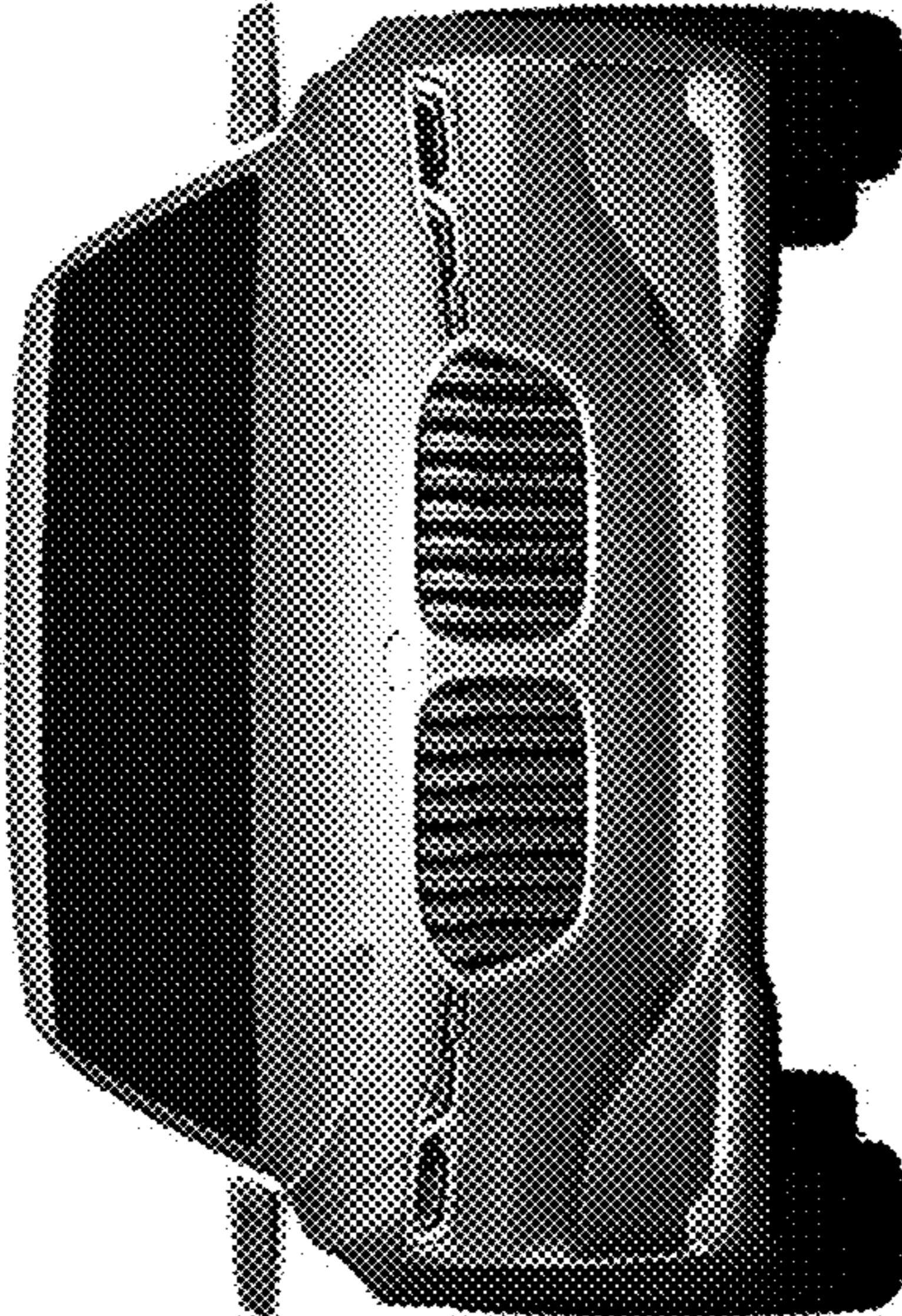


Fig. 5



Fig. 6

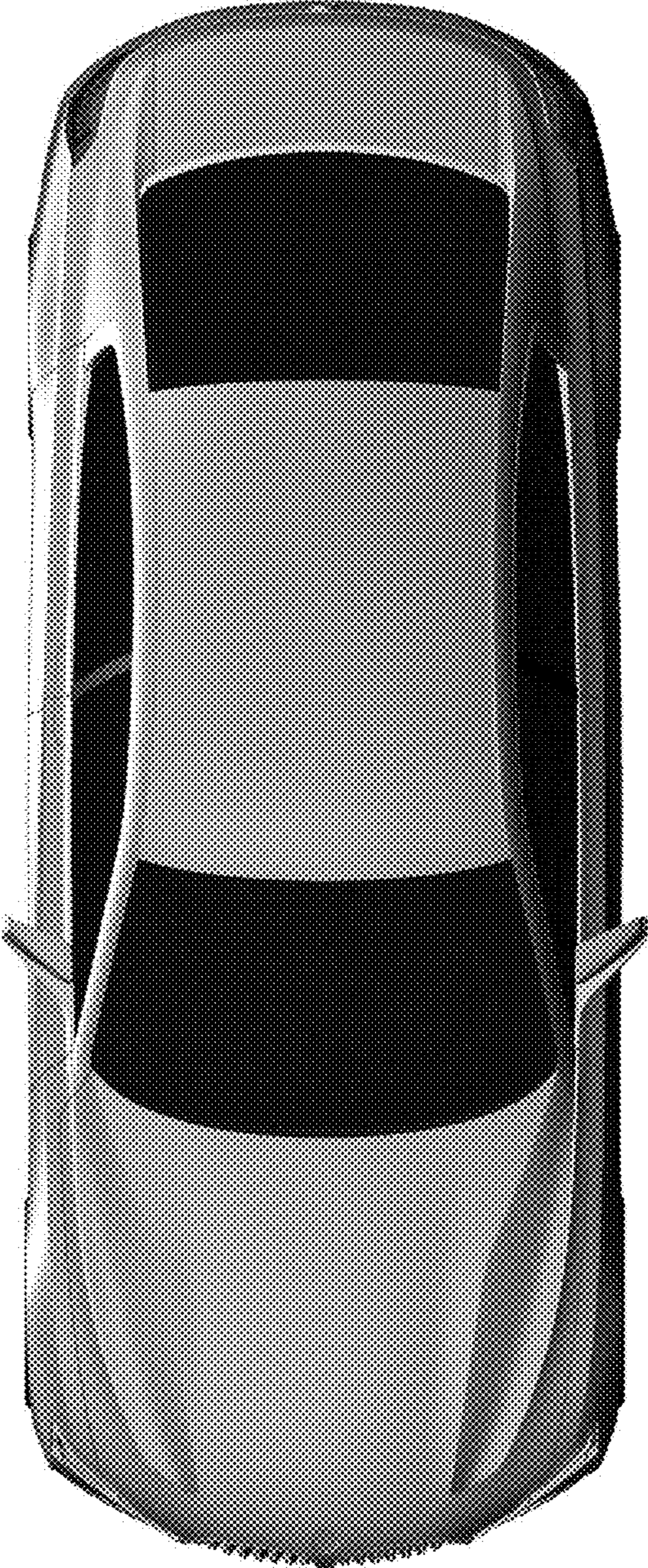


Fig. 7