



US00D743844S

(12) **United States Design Patent**
Khoroushi

(10) **Patent No.:** **US D743,844 S**

(45) **Date of Patent:** **** Nov. 24, 2015**

(54) **ARMORED TRUCK**

(71) Applicant: **Alpine Armoring Inc.**, Herndon, FL
(US)

(72) Inventor: **Fred Khoroushi**, Herndon, VA (US)

(73) Assignee: **Alpine Armoring, Inc.**, Herndon, VA
(US)

(**) Term: **14 Years**

(21) Appl. No.: **29/491,077**

(22) Filed: **May 16, 2014**

(51) **LOC (10) Cl.** **12-13**

(52) **U.S. Cl.**
USPC **D12/12**

(58) **Field of Classification Search**
USPC D12/1, 12, 14, 15; D21/539, 556, 557,
D21/559, 562; 180/89.1, 89.12, 232, 242,
180/449, 9.1; D15/23, 24, 25, 33, 199;
446/88, 430, 433, 470, 429, 465, 175;
296/24.4; 89/36.08, 36.13, 41.02
See application file for complete search history.

(56) **References Cited**

U.S. PATENT DOCUMENTS

D289,389 S 4/1987 Picard
D315,535 S 3/1991 Lockhart
D323,305 S 1/1992 Smith
D484,438 S 12/2003 Knoth

D548,646 S * 8/2007 Green et al. D12/12
D548,647 S * 8/2007 Green et al. D12/12
D548,648 S * 8/2007 Hammick D12/12
D552,507 S * 10/2007 Hammick D12/12
D563,272 S * 3/2008 Hammick et al. D12/12
D580,825 S 11/2008 Green
D593,450 S 6/2009 Green
2007/0186762 A1* 8/2007 Dehart et al. 89/36.09
2007/0234896 A1* 10/2007 Joynt 89/36.09
2012/0312607 A1* 12/2012 Joynt et al. 180/54.1
2014/0216238 A1* 8/2014 Pfennig et al. 89/36.02

* cited by examiner

Primary Examiner — T. Chase Nelson

Assistant Examiner — Ania Aman

(74) *Attorney, Agent, or Firm* — Brian S. Steinberger; Law
Offices of Brian S. Steinberger, P.A.

(57) **CLAIM**

The ornamental design for an armored truck, as shown and
described.

DESCRIPTION

FIG. 1 is an upper front left perspective view of the novel
armored truck.

FIG. 2 is a left side view of the armored truck of FIG. 1.

FIG. 3 is a right side view of the armored truck of FIG. 1.

FIG. 4 is a top side view of the armored truck of FIG. 1.

FIG. 5 is a front end view of the armored truck of FIG. 1; and,

FIG. 6 is a rear end view of the armored truck of FIG. 1.

The broken lines in FIGS. 1-6 are for illustrative purposes of
illustrating portions of the armored truck that form no part of
the claimed design.

1 Claim, 6 Drawing Sheets

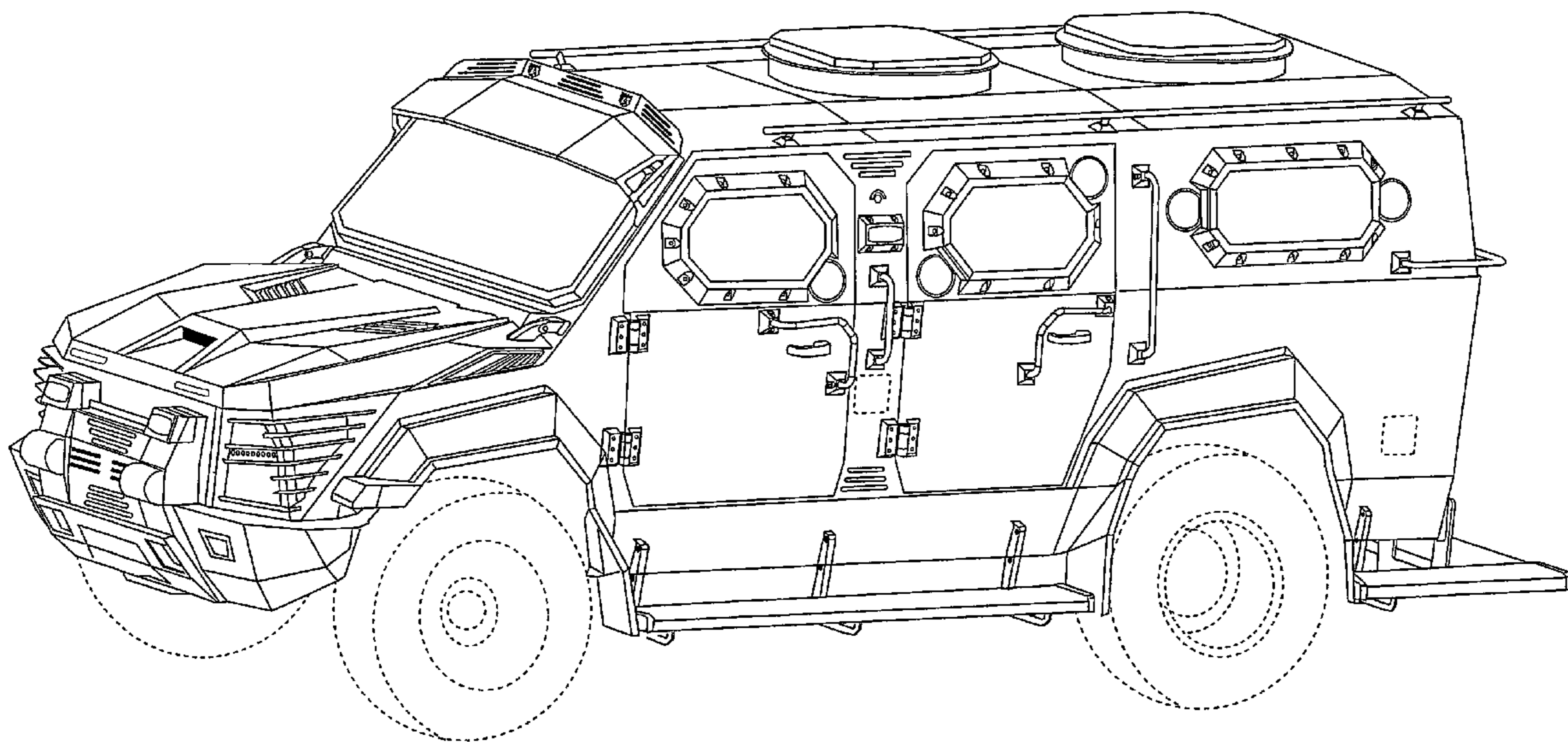


FIG. 1

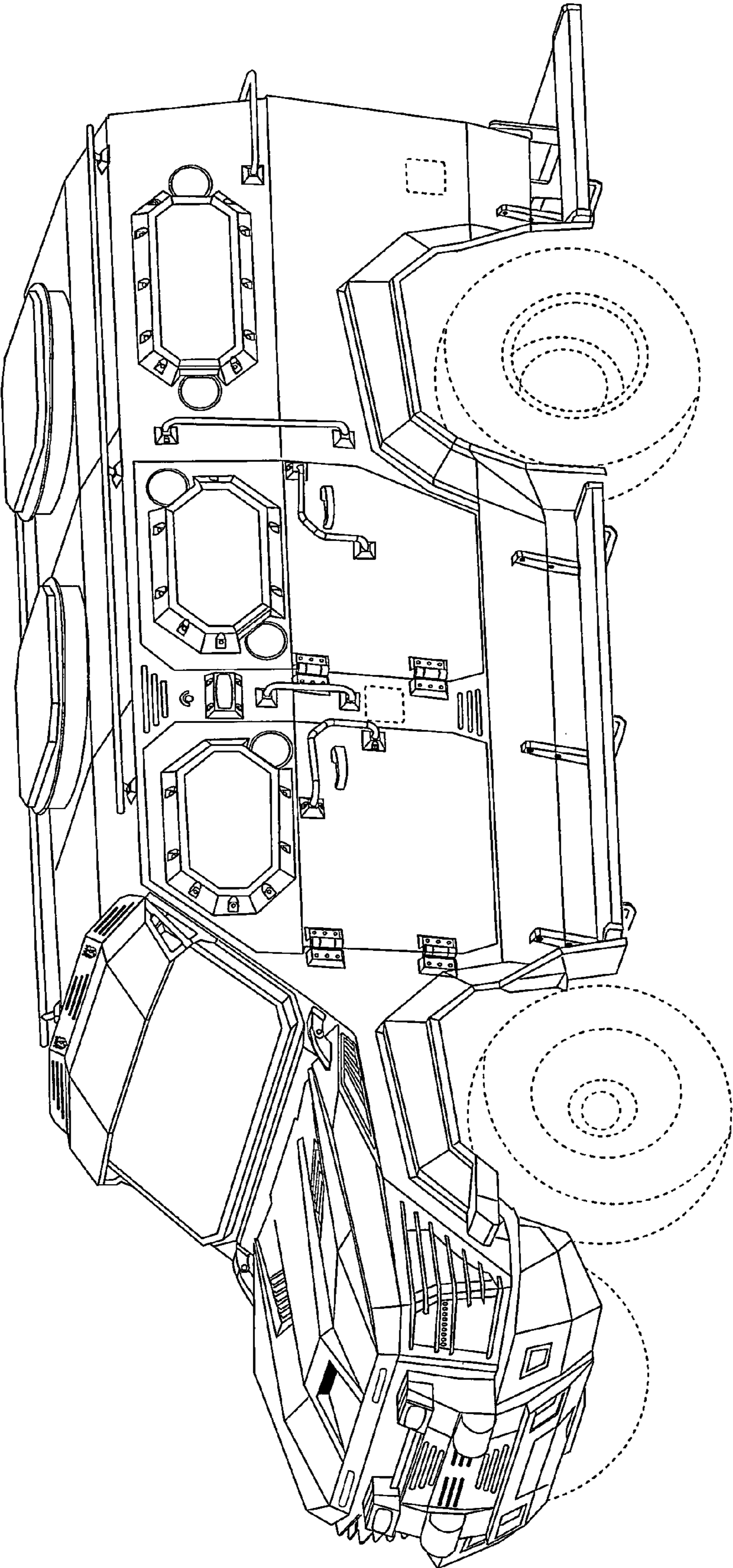


FIG. 2

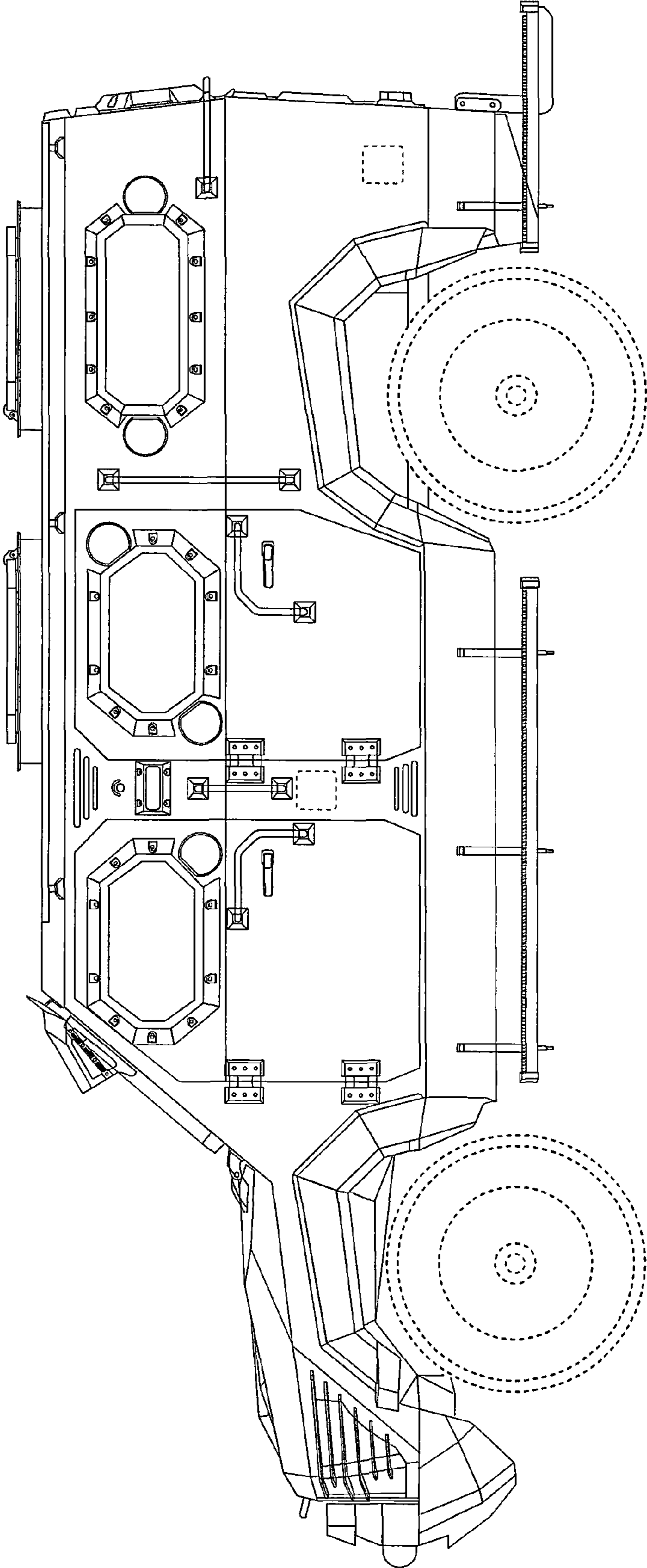


FIG. 3

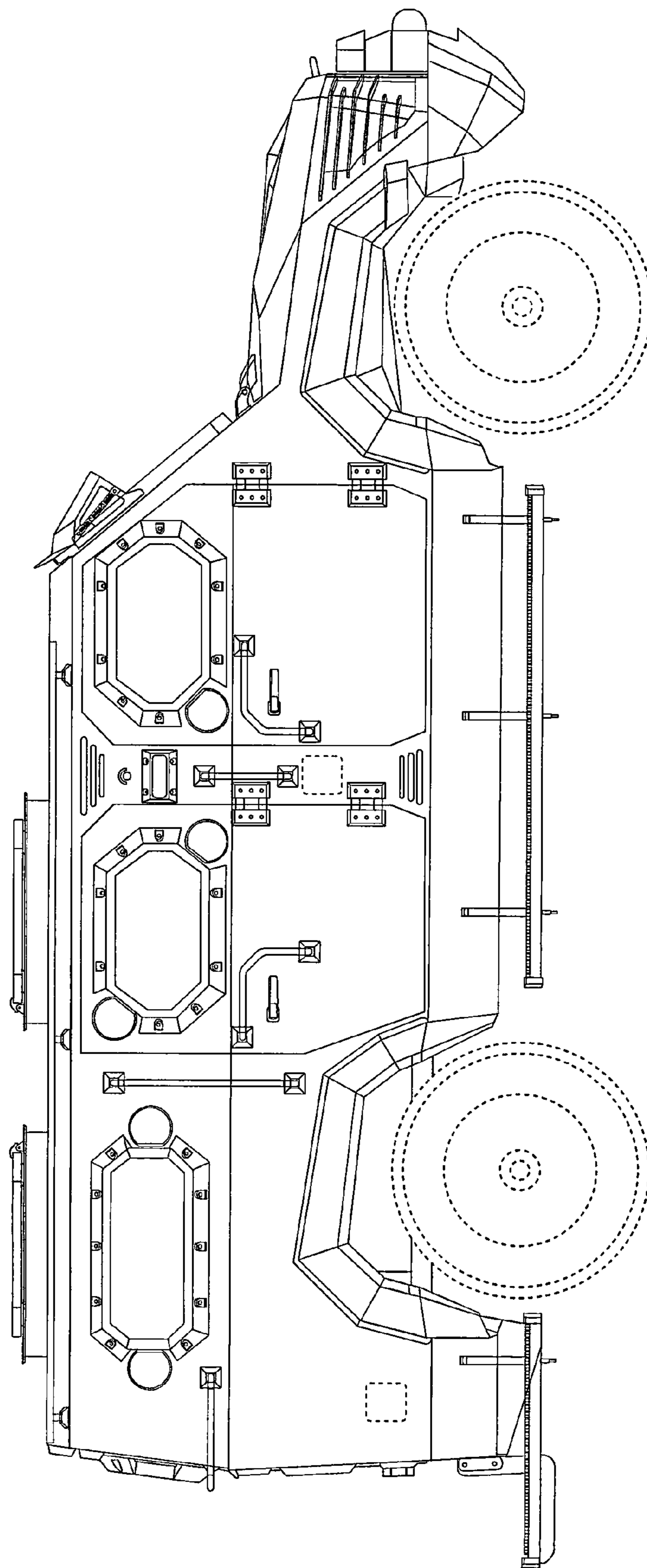
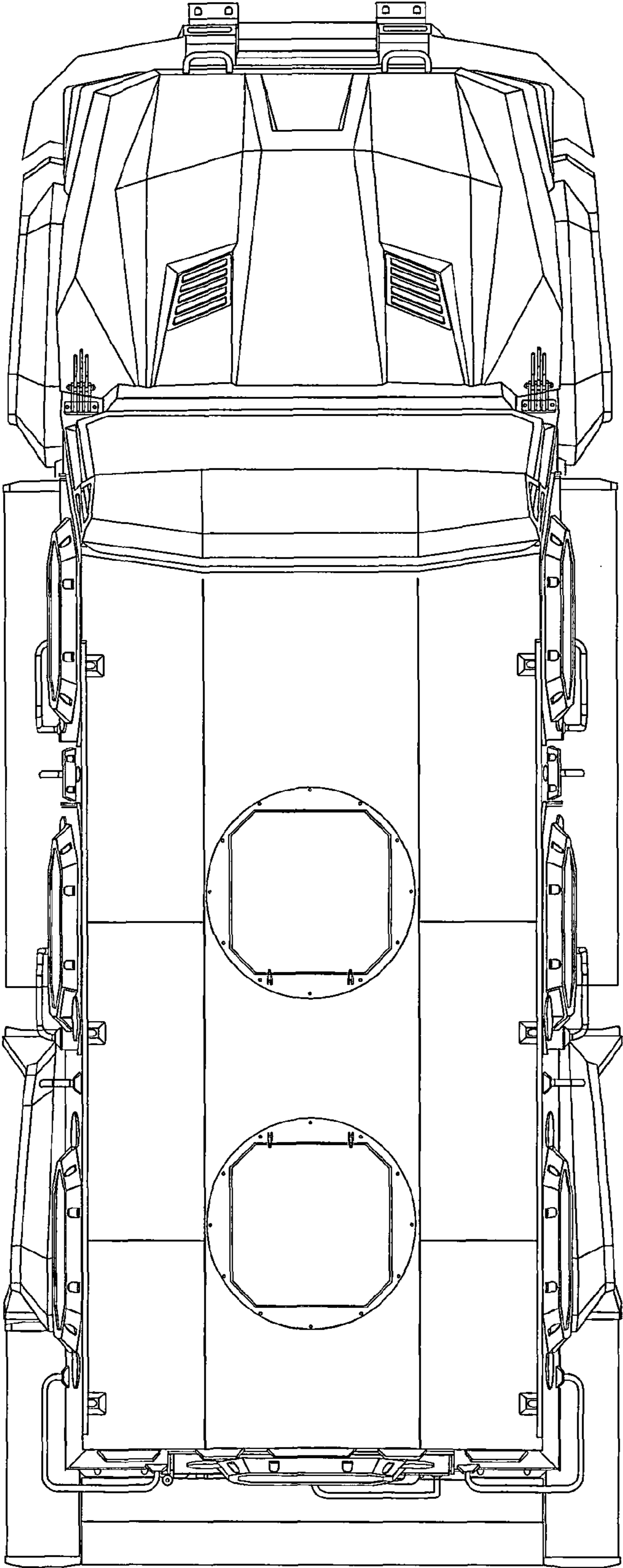


FIG. 4



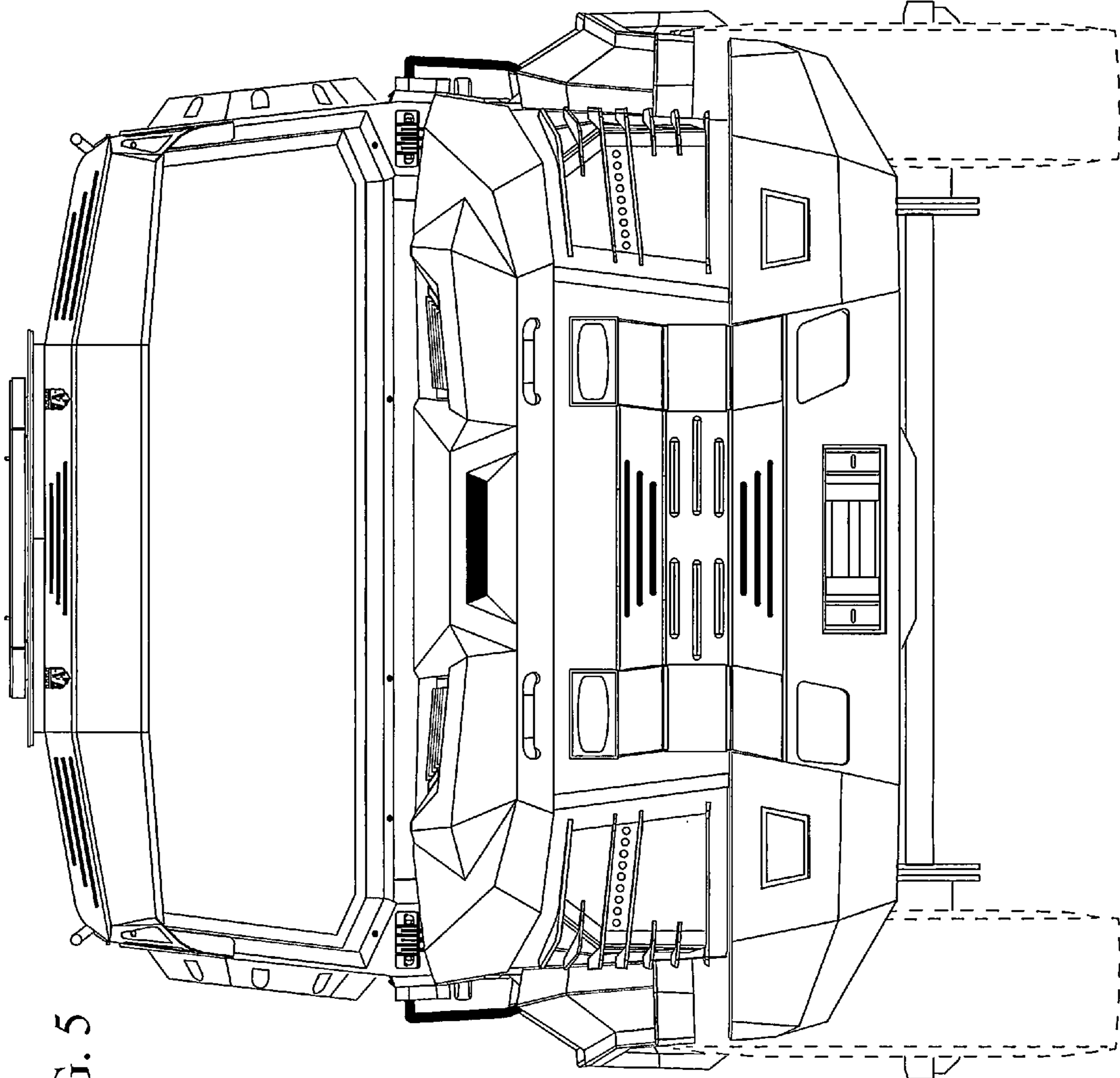


FIG. 5

FIG. 6

