



US00D743842S

(12) **United States Design Patent**  
**La Guzza et al.**

(10) **Patent No.:** **US D743,842 S**

(45) **Date of Patent:** **\*\* Nov. 24, 2015**

(54) **CLIP FOR RESPIRATORY MASK OR POSITIVE AIRWAY PRESSURE (PAP) DELIVERY DEVICE**

(71) Applicant: **ResMed Limited**, Bella Vista, New South Wales (AU)

(72) Inventors: **Michael Charles La Guzza**, Sydney (AU); **Suresh Parmar**, Sydney (AU); **Stuart Norris Plascott**, Sydney (AU); **Matthew David Spruell**, Sydney (AU); **James William Charles Vandyke**, Sydney (AU); **Stewart Joseph Wagner**, Hawkesbury (AU); **Jamie Graeme Wehbeh**, Sydney (AU)

(73) Assignee: **ResMed Limited**, Bella Vista (AU)

(\*\*) Term: **14 Years**

(21) Appl. No.: **29/482,703**

(22) Filed: **Feb. 21, 2014**

**Related U.S. Application Data**

(62) Division of application No. 29/401,274, filed on Sep. 9, 2011, now Pat. No. Des. 709,180.

(51) **LOC (10) Cl.** ..... **11-05**

(52) **U.S. Cl.**  
USPC ..... **D11/218**; D24/110.1

(58) **Field of Classification Search**  
USPC ..... D24/110, 110.1, 127, 128; D8/347, D8/382, 394; D11/238, 212, 215-220; D29/122  
CPC ..... A44B 11/2592; A61M 16/06; A61M 16/0605; A61M 16/0683; A62B 18/08; A62B 18/084

See application file for complete search history.

(56) **References Cited**

U.S. PATENT DOCUMENTS

D199,182	S	*	9/1964	Burch	.....	D11/220
D263,243	S	*	3/1982	Creamer	.....	D19/34
4,577,375	A	*	3/1986	Beaussant	.....	24/593.1
4,907,582	A		3/1990	Meyerrose		
D410,194	S		5/1999	Hilton et al.		
D471,678	S	*	3/2003	Hanna	.....	D30/152
D478,207	S	*	8/2003	Johnson	.....	D3/207
D490,343	S	*	5/2004	Guney et al.	.....	D11/216
D492,992	S		7/2004	Guney et al.		
D499,543	S	*	12/2004	Johnson	.....	D3/211
D505,489	S		5/2005	Sleeper		
D538,927	S		3/2007	Aylsworth et al.		
D556,898	S		12/2007	Guney et al.		
D557,411	S		12/2007	Smart et al.		
D572,816	S		7/2008	Lang et al.		
D581,655	S	*	12/2008	Johnson	.....	D3/211

(Continued)

OTHER PUBLICATIONS

Parent; U.S. Appl. No. 29/401,274, filed Sep. 9, 2011.

(Continued)

*Primary Examiner* — Ian Simmons

*Assistant Examiner* — Richelle G Shelton

(74) *Attorney, Agent, or Firm* — Nixon & Vanderhye P.C.

(57) **CLAIM**

The ornamental design for a clip for respiratory mask or positive airway pressure (PAP) delivery device, as shown.

**DESCRIPTION**

FIG. 1 is a perspective view of a clip for respiratory mask or positive airway pressure (PAP) delivery device according to our new ornamental design;

FIG. 2 is a front view thereof;

FIG. 3 is a rear view thereof;

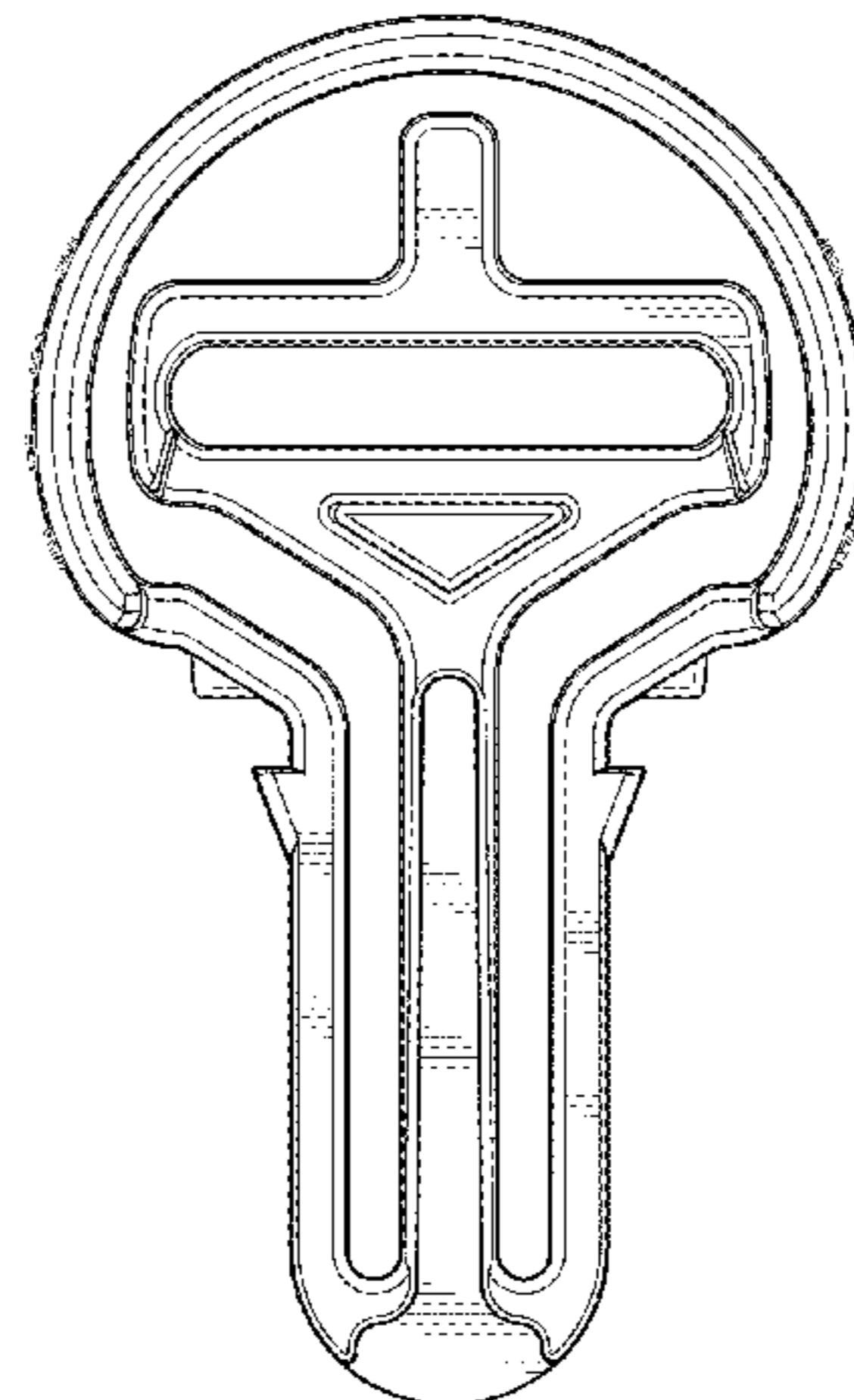
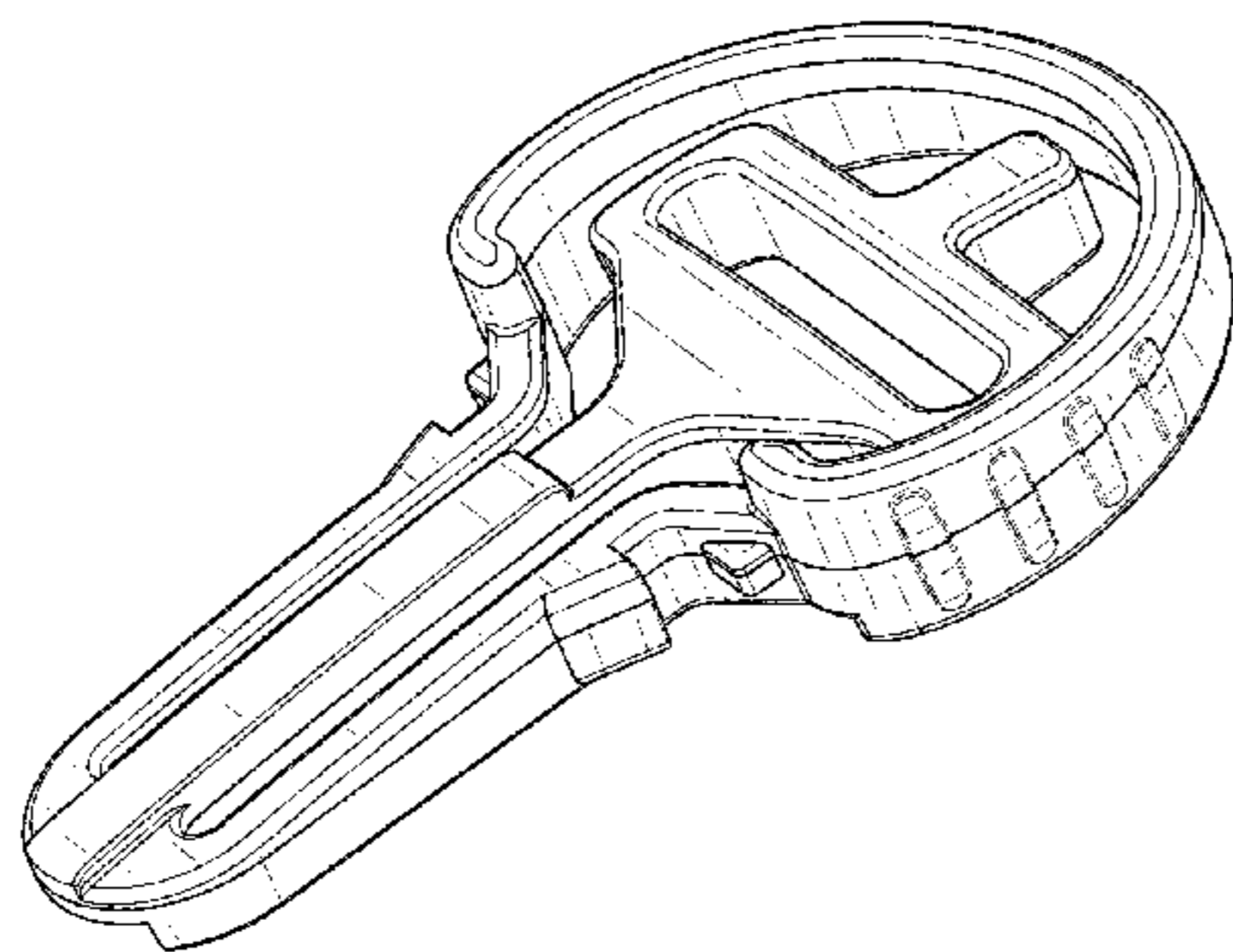
FIG. 4 is a top view thereof;

FIG. 5 is a bottom view thereof;

FIG. 6 is a right side view thereof; and,

FIG. 7 is a left side view thereof.

**1 Claim, 4 Drawing Sheets**



(56)

**References Cited**

U.S. PATENT DOCUMENTS

D588,498 S \* 3/2009 Davidson ..... D11/216  
D595,113 S \* 6/2009 Agresta ..... D8/347  
D595,841 S 7/2009 McAuley et al.  
D616,156 S 5/2010 Bugno et al.  
D619,927 S 7/2010 Guyton et al.  
7,762,254 B2\* 7/2010 Ho ..... 128/205.25  
D622,007 S 8/2010 Higgins  
D630,842 S 1/2011 Fonseca

7,918,828 B2 4/2011 Lundgaard et al.  
D639,932 S 6/2011 D'Souza et al.  
D655,808 S 3/2012 Stallard et al.  
2008/0006277 A1 1/2008 Worboys et al.  
2011/0155139 A1 6/2011 Ho et al.  
2011/0277770 A1 11/2011 Chang

OTHER PUBLICATIONS

Spruell et al., U.S. Appl. No. 29/371,435, filed Feb. 25, 2011.  
Spruell et al., U.S. Appl. No. 29/371,434, filed Feb. 25, 2011.

\* cited by examiner

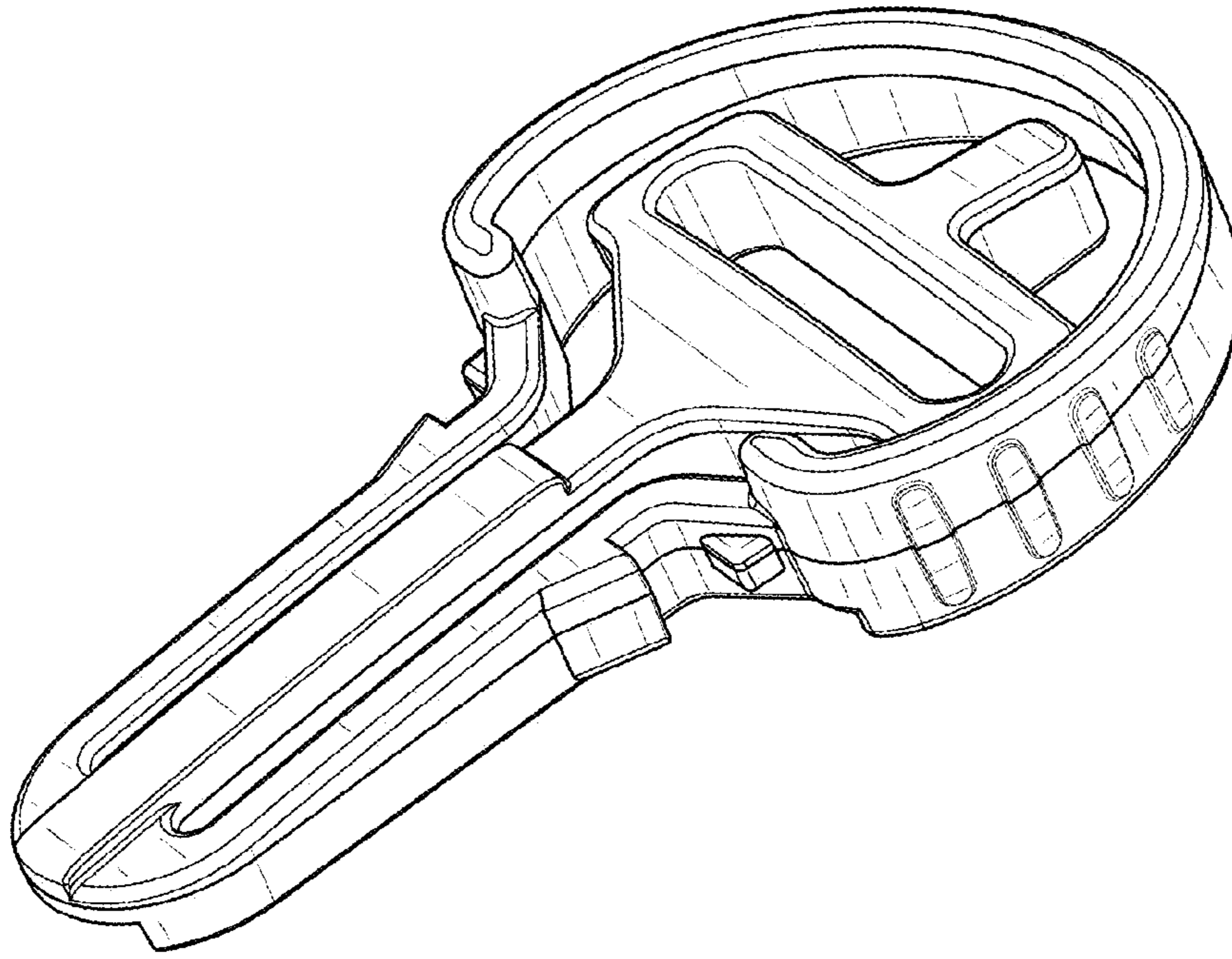


FIG. 1

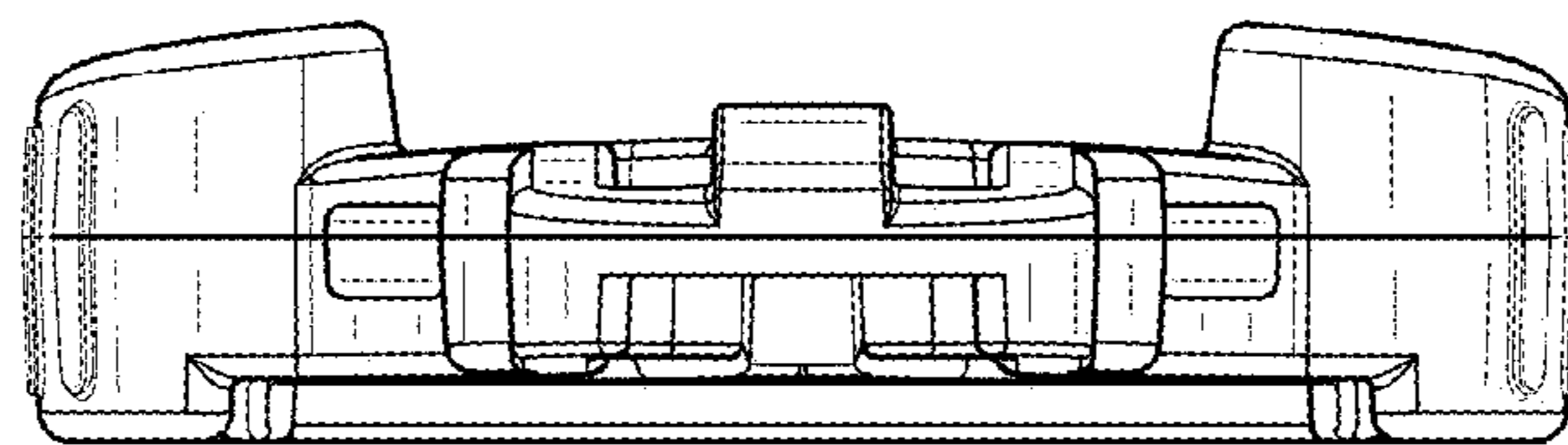


FIG. 2

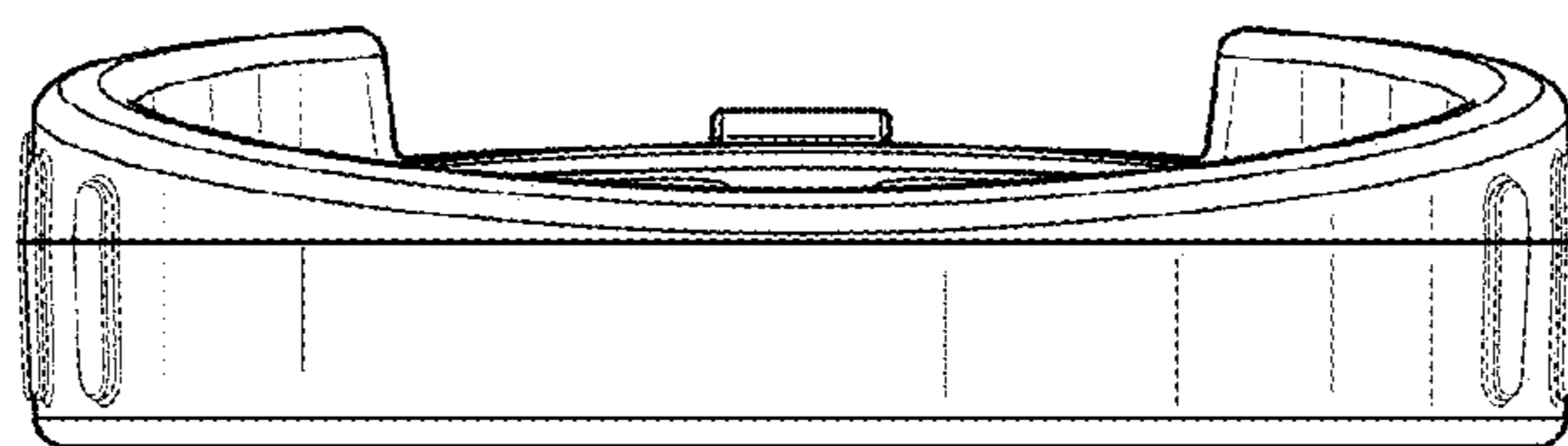


FIG. 3

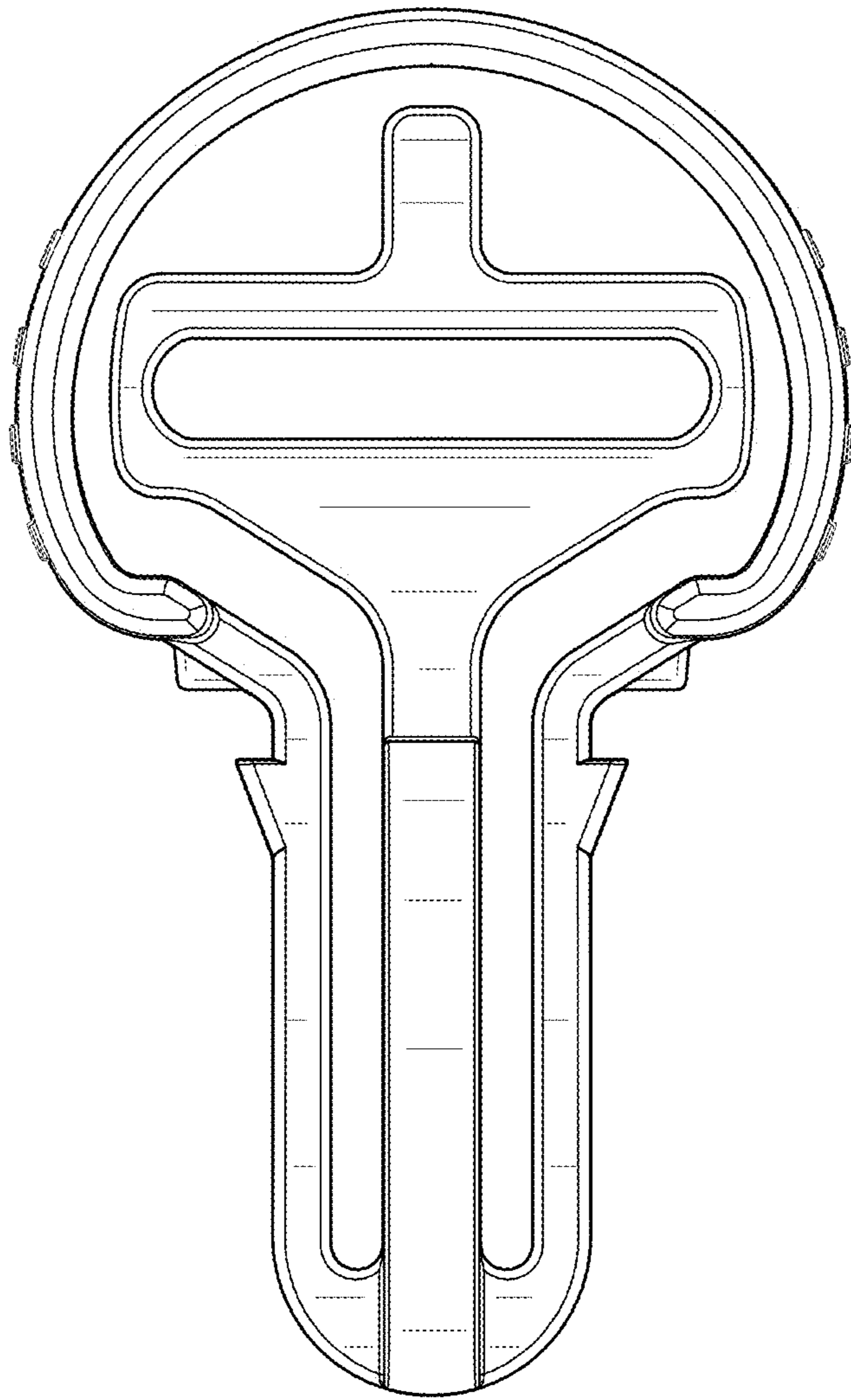
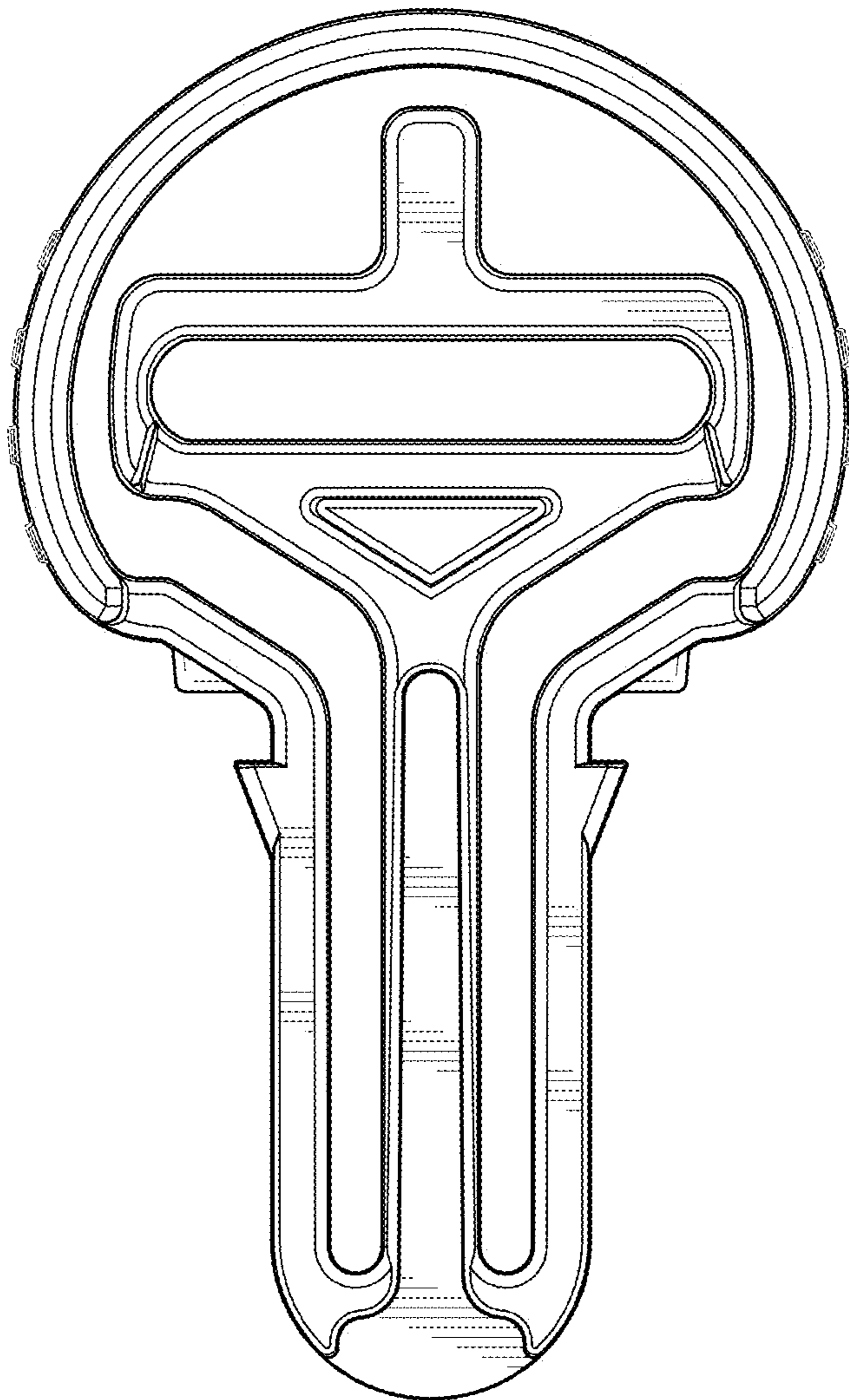


FIG. 4



**FIG. 5**

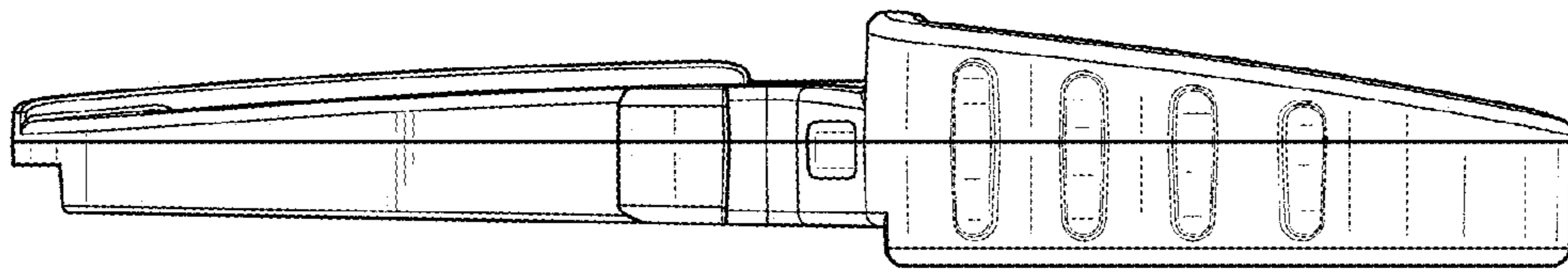


FIG. 6

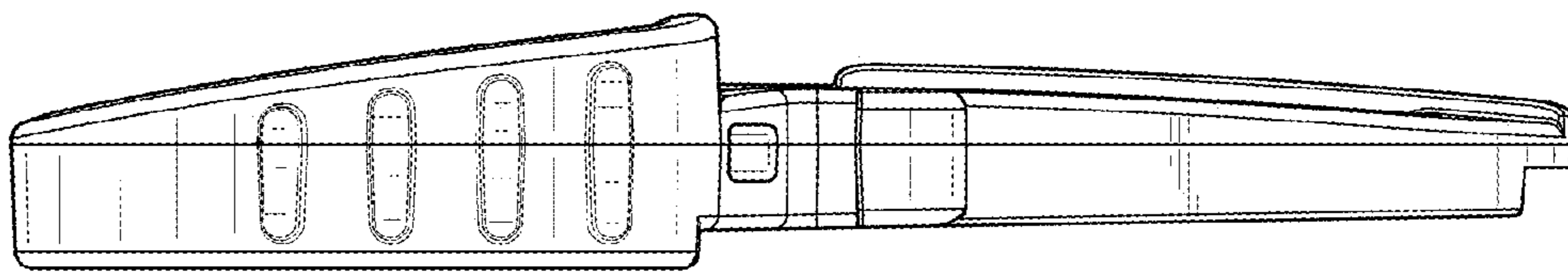


FIG. 7