



US00D743841S

(12) **United States Design Patent**
Laatz

(10) **Patent No.:** **US D743,841 S**
(45) **Date of Patent:** **** Nov. 24, 2015**

- (54) **TRAKLINE BELT BUCKLE**
- (71) Applicant: **KORE ESSENTIALS, INC.**, San Diego, CA (US)
- (72) Inventor: **Robin Laatz**, San Diego, CA (US)
- (73) Assignee: **KORE ESSENTIALS, INC.**, San Diego, CA (US)
- (**) Term: **14 Years**
- (21) Appl. No.: **29/516,913**
- (22) Filed: **Feb. 6, 2015**

- D332,585 S * 1/1993 Olson D11/201
- D453,125 S * 1/2002 Citton D11/216
- D631,393 S * 1/2011 Shani et al. D11/216
- D632,215 S * 2/2011 Shani et al. D11/216
- D632,217 S * 2/2011 Shani et al. D11/216
- D632,612 S * 2/2011 Shani et al. D11/216
- D703,581 S * 4/2014 Kelleghan D11/216

* cited by examiner

Primary Examiner — Ralf Seifert

(74) *Attorney, Agent, or Firm* — Coastal Patent Law Group, P.C.

(57) **CLAIM**

I claim the ornamental design for a trakline belt buckle, as shown and described.

DESCRIPTION

FIG. 1 shows a front perspective view of a trakline belt buckle including a front, bottom, and right side thereof;
 FIG. 2 shows a front view thereof;
 FIG. 3 shows a rear view thereof;
 FIG. 4 shows a top side thereof;
 FIG. 5 shows a bottom side thereof;
 FIG. 6 shows a right side thereof;
 FIG. 7 shows a left side thereof;
 FIG. 8 is another front view like that of FIG. 2 but with cross-sectional designations thereon;
 FIG. 9 is a cross sectional view taken along the lines 9-9 of FIG. 8;
 FIG. 10 is a cross sectional view taken along the lines 10-10 of FIG. 8;
 FIG. 11 is a cross sectional view taken along the lines 11-11 of FIG. 8; and,
 FIG. 12 is a cross sectional view taken along the lines 12-12 of FIG. 8.

Related U.S. Application Data

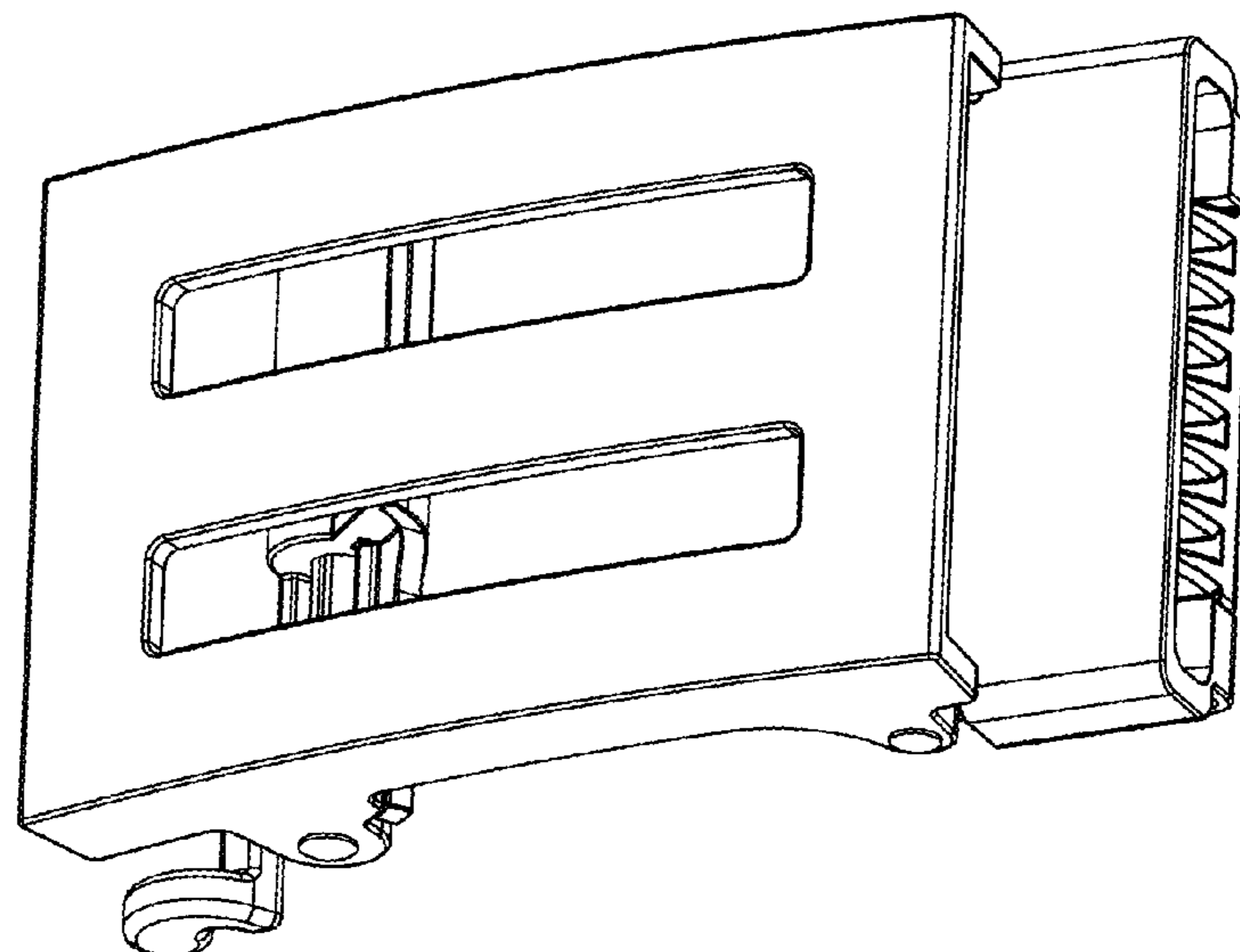
- (62) Division of application No. 29/484,772, filed on Mar. 12, 2014.
- (51) **LOC (10) Cl.** **11-07**
- (52) **U.S. Cl.**
USPC **D11/216**
- (58) **Field of Classification Search**
USPC D11/1-2, 200-201, 206-210, 214-218;
24/163 R, 169-171, 173, 177-179, 191,
24/194-195, 197, 200, 614-616, 625, 198,
24/578.11, 578.1, 163 K, 114, 307
CPC A41F 11/04
See application file for complete search history.

References Cited

U.S. PATENT DOCUMENTS

- 1,278,340 A * 9/1918 Hayden et al. 24/316
- 2,110,684 A * 3/1938 Schuhmann 24/313
- D177,056 S * 3/1956 Lowrie D11/1

1 Claim, 6 Drawing Sheets



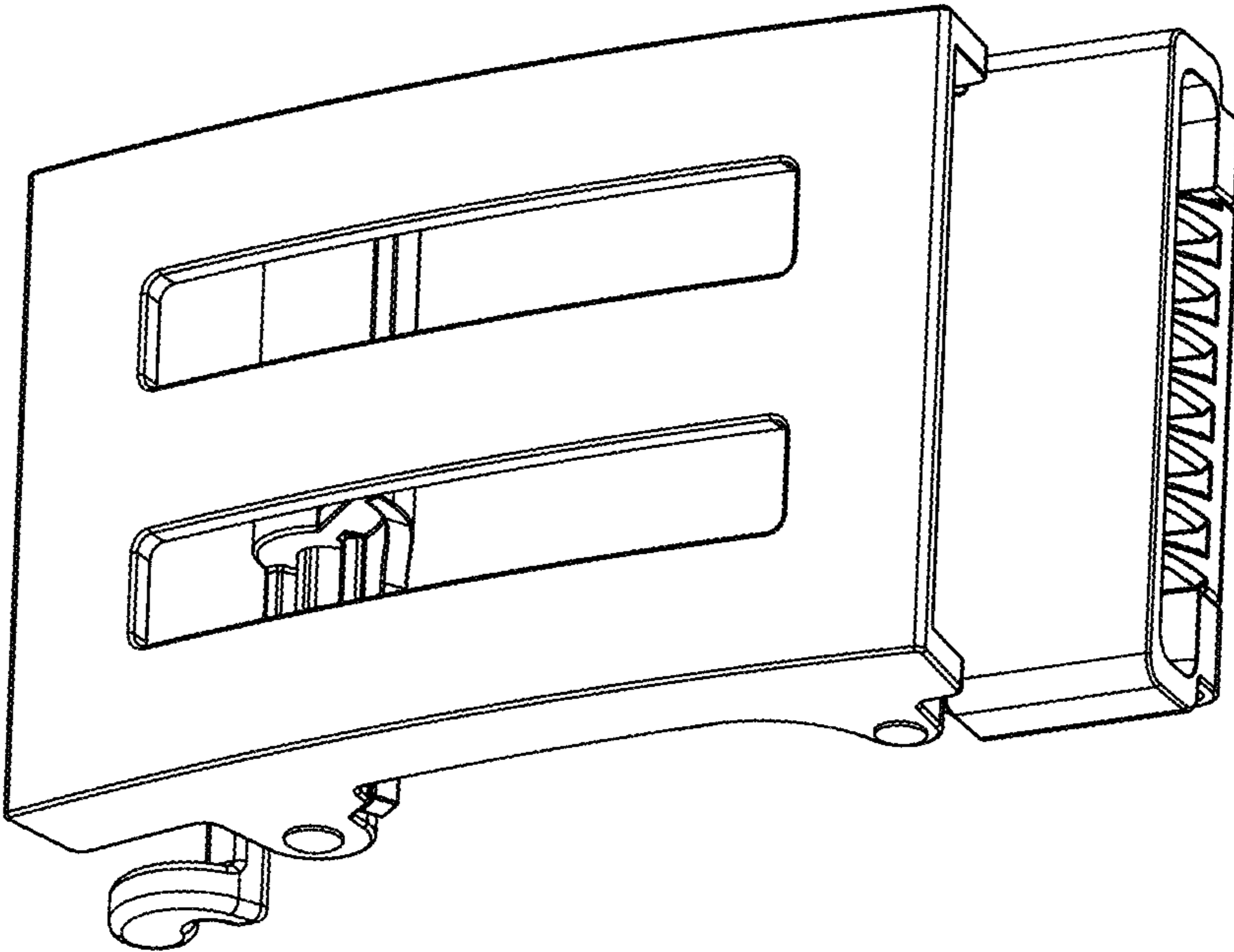


FIG. 1

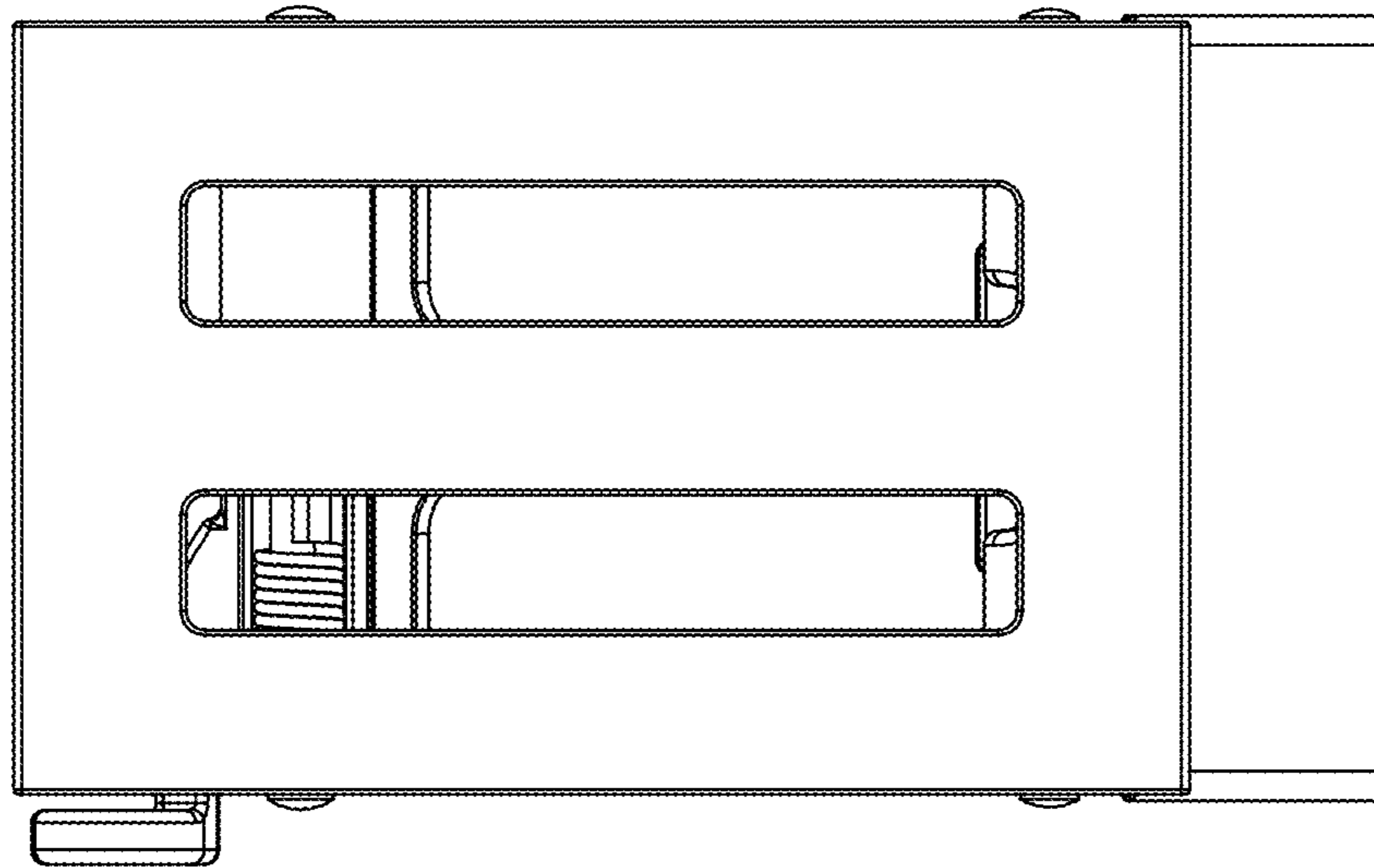


FIG. 2

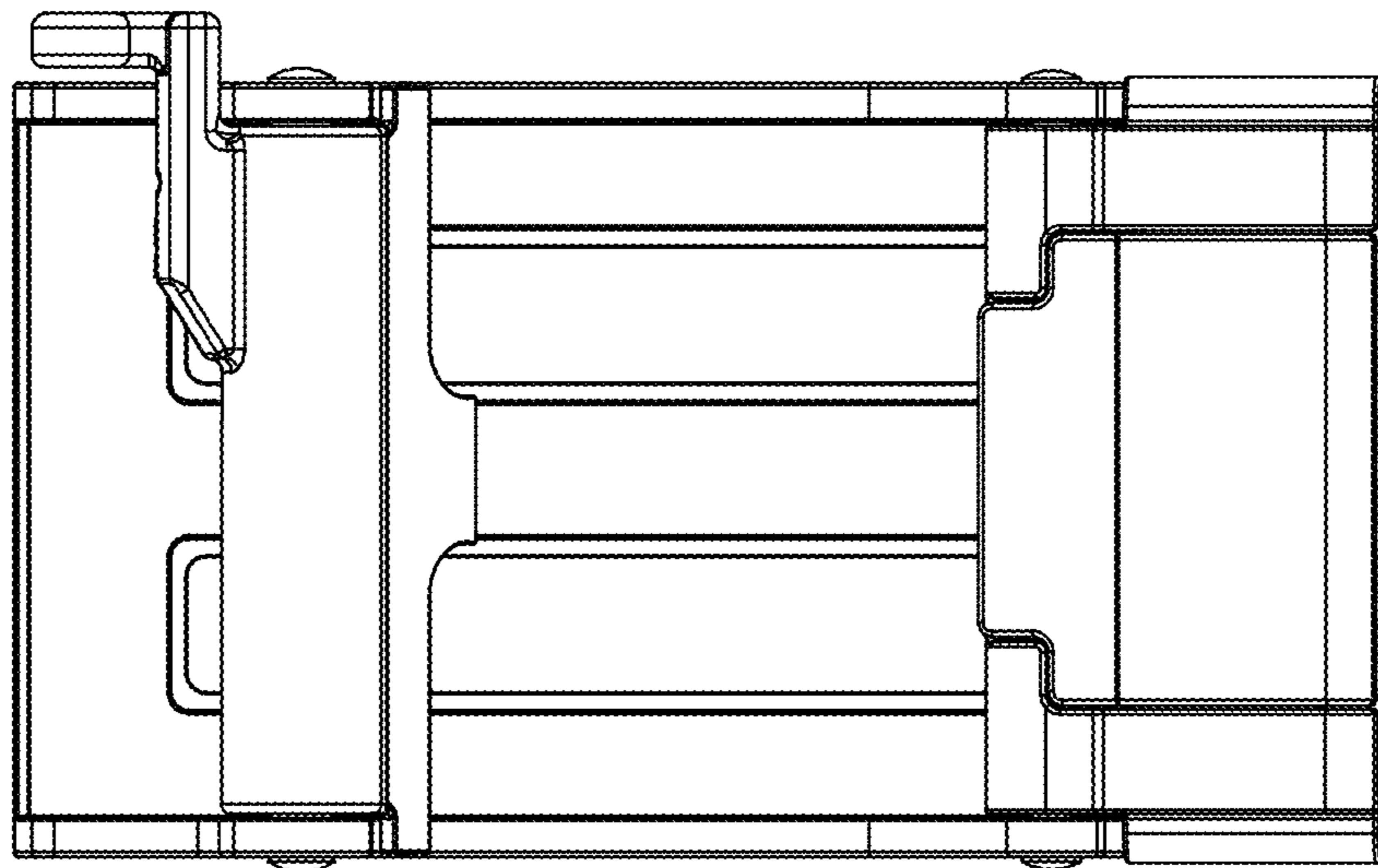


FIG. 3

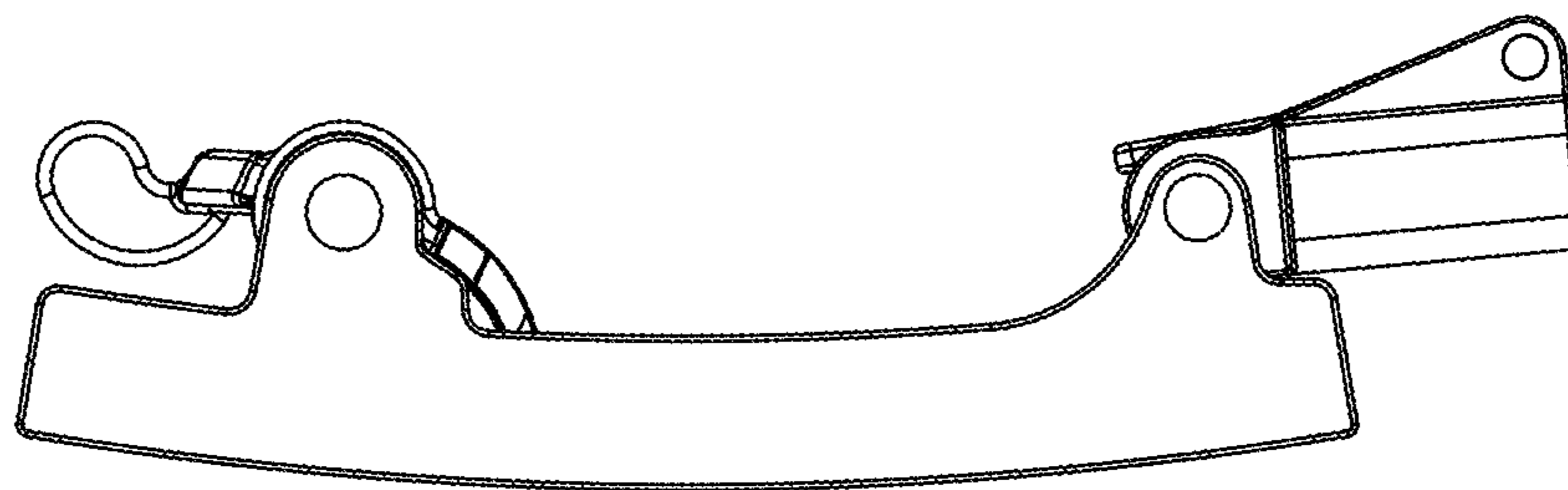


FIG. 4

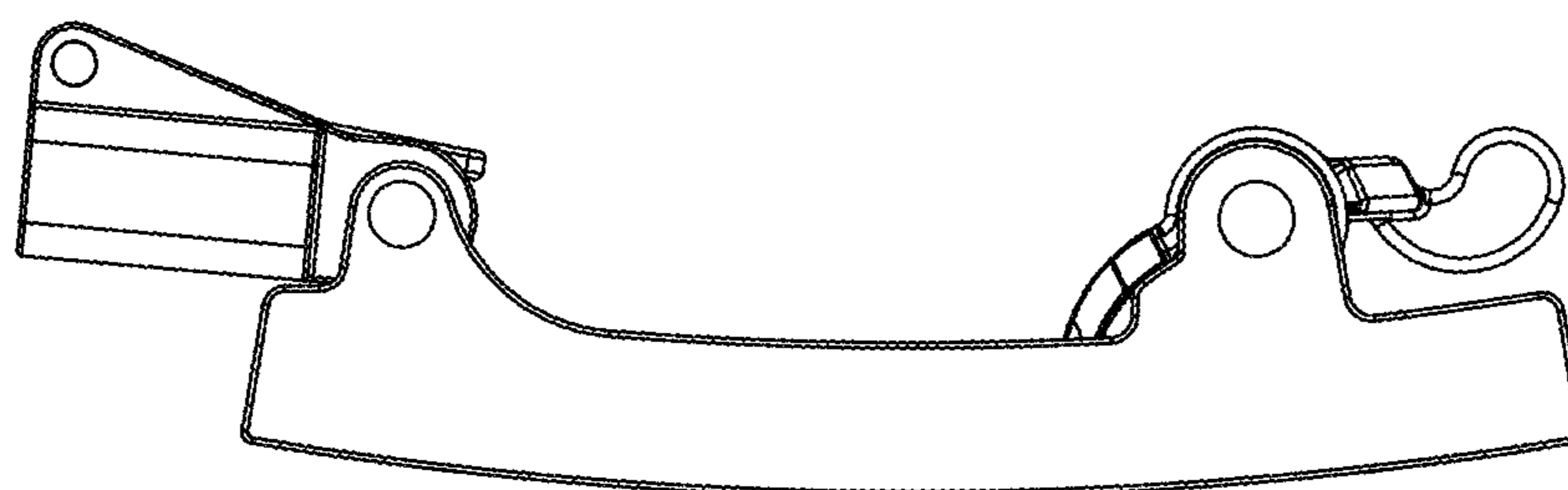


FIG. 5

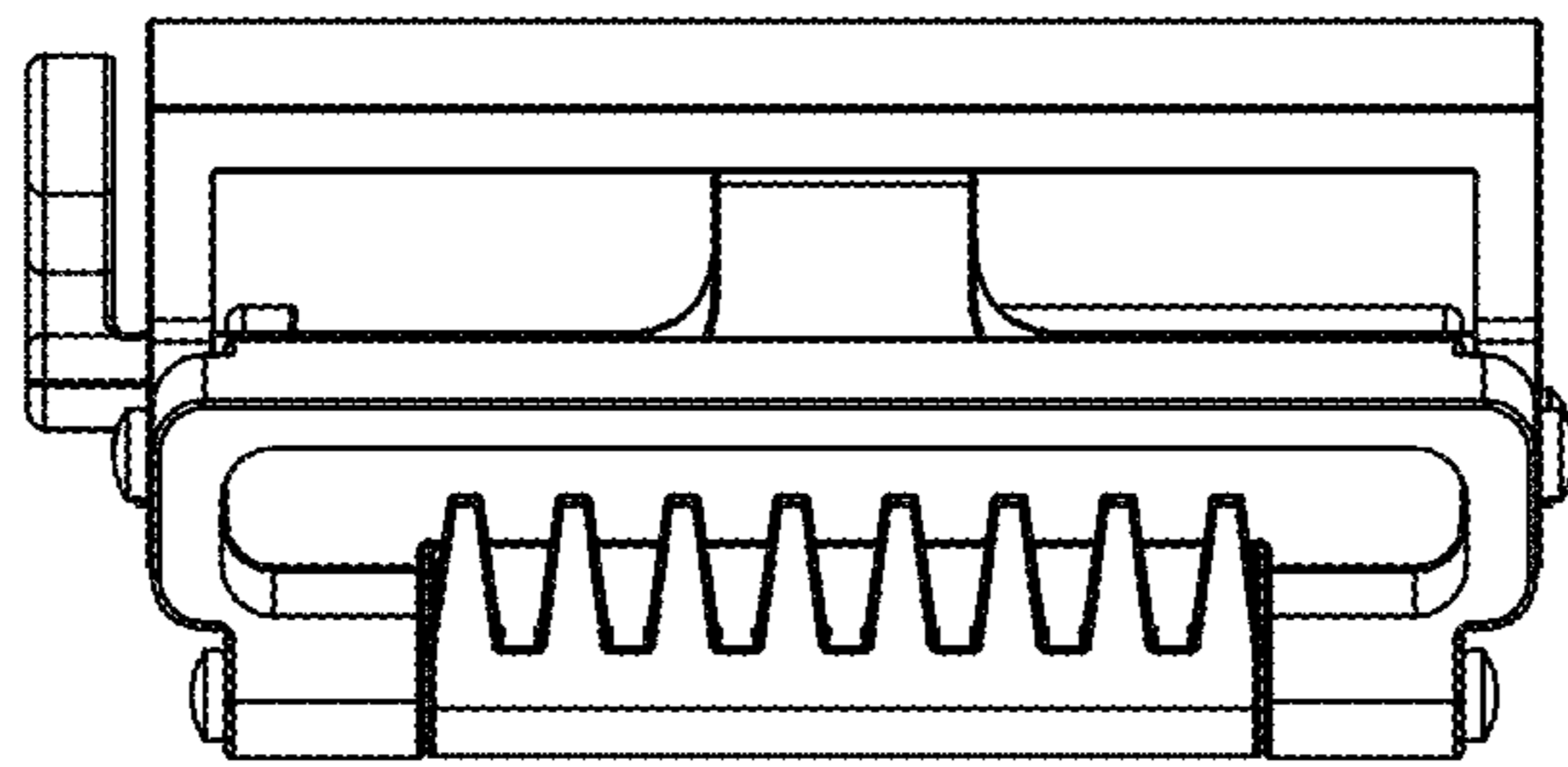


FIG. 6

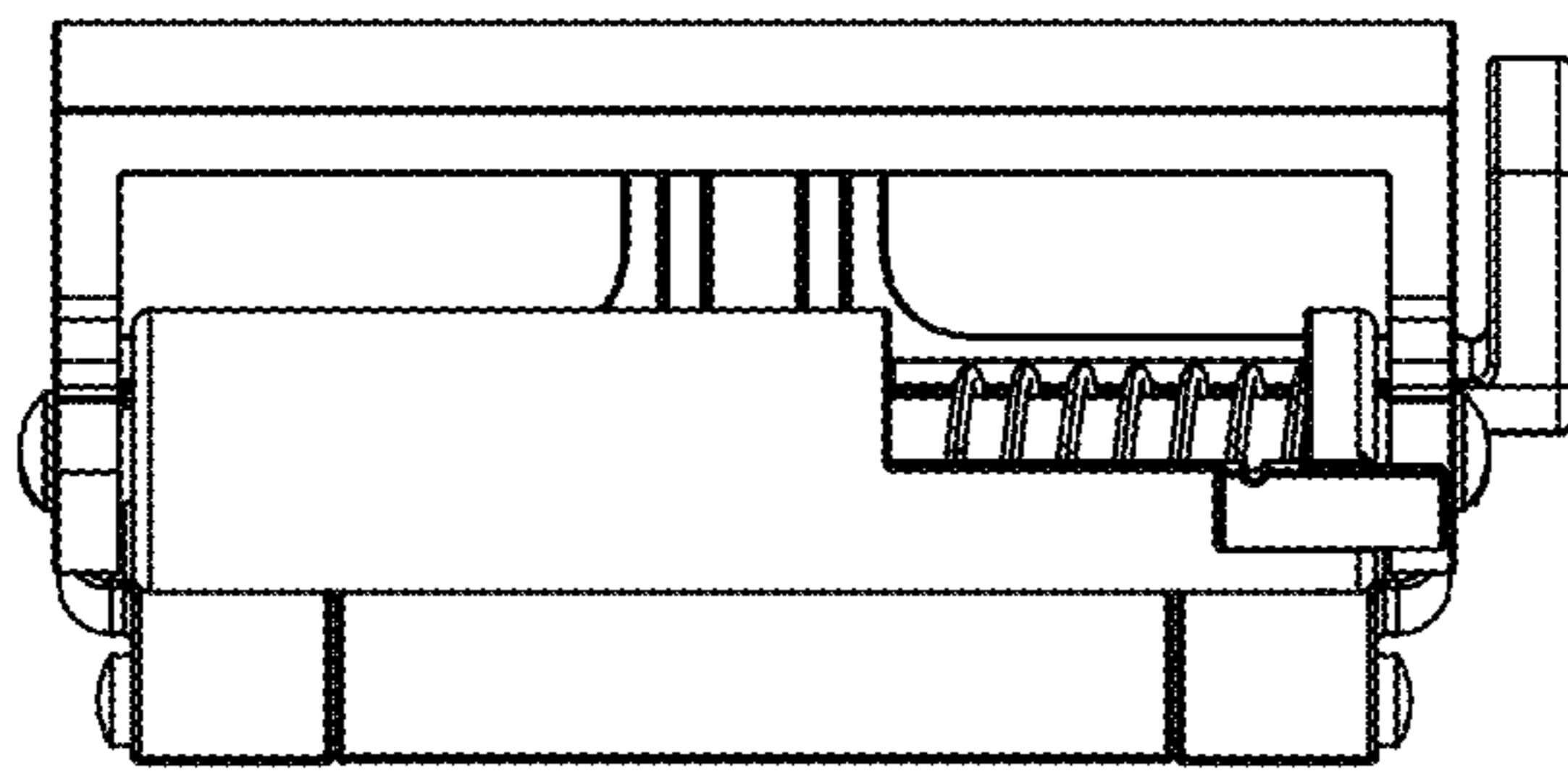


FIG. 7

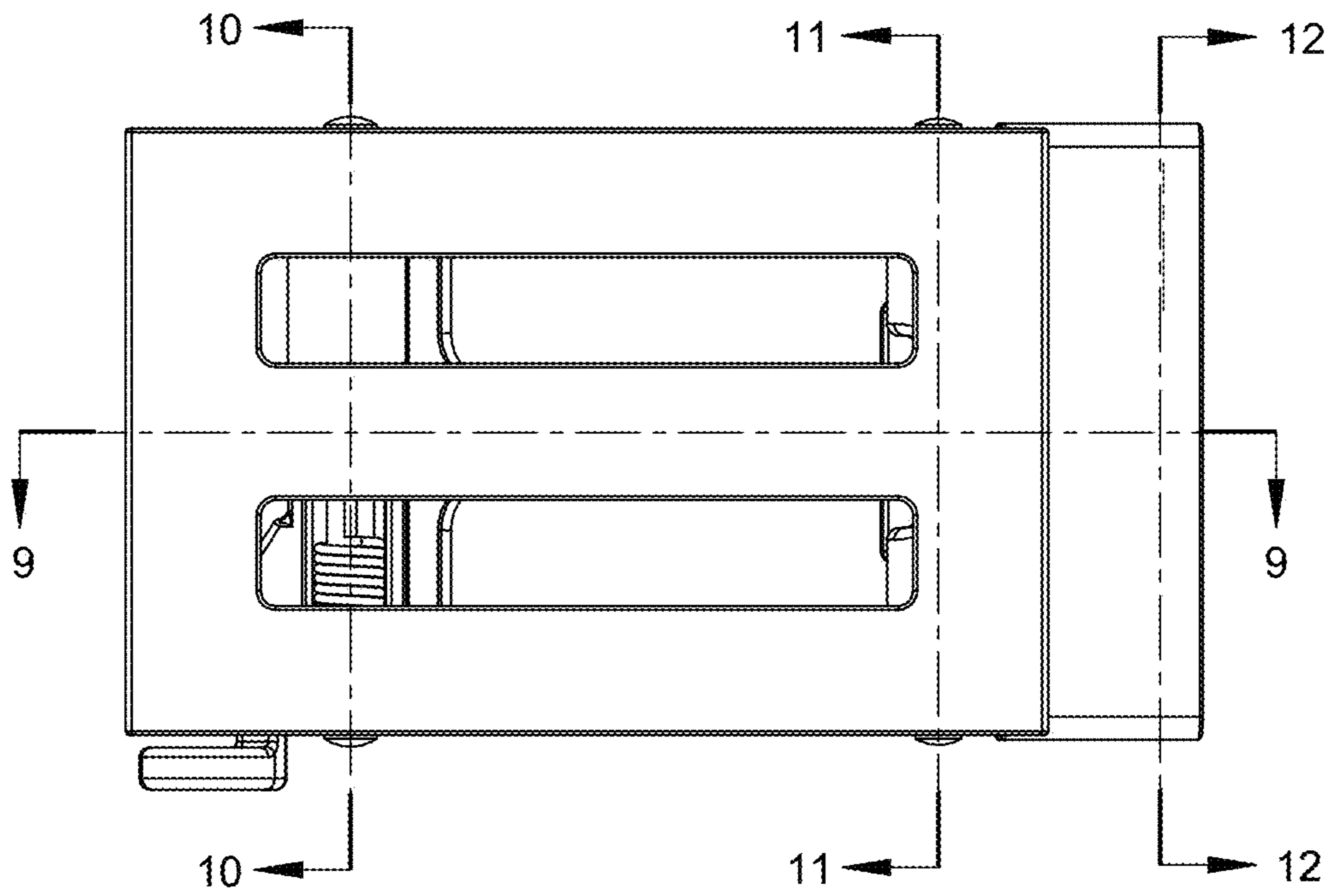


FIG. 8

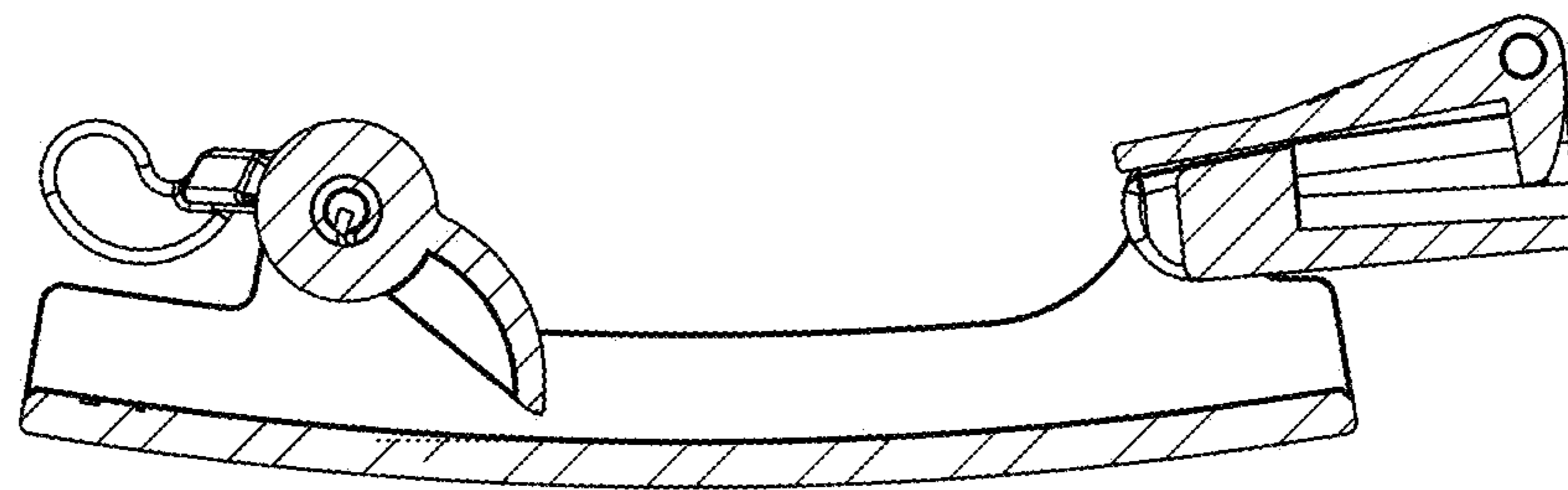


FIG. 9

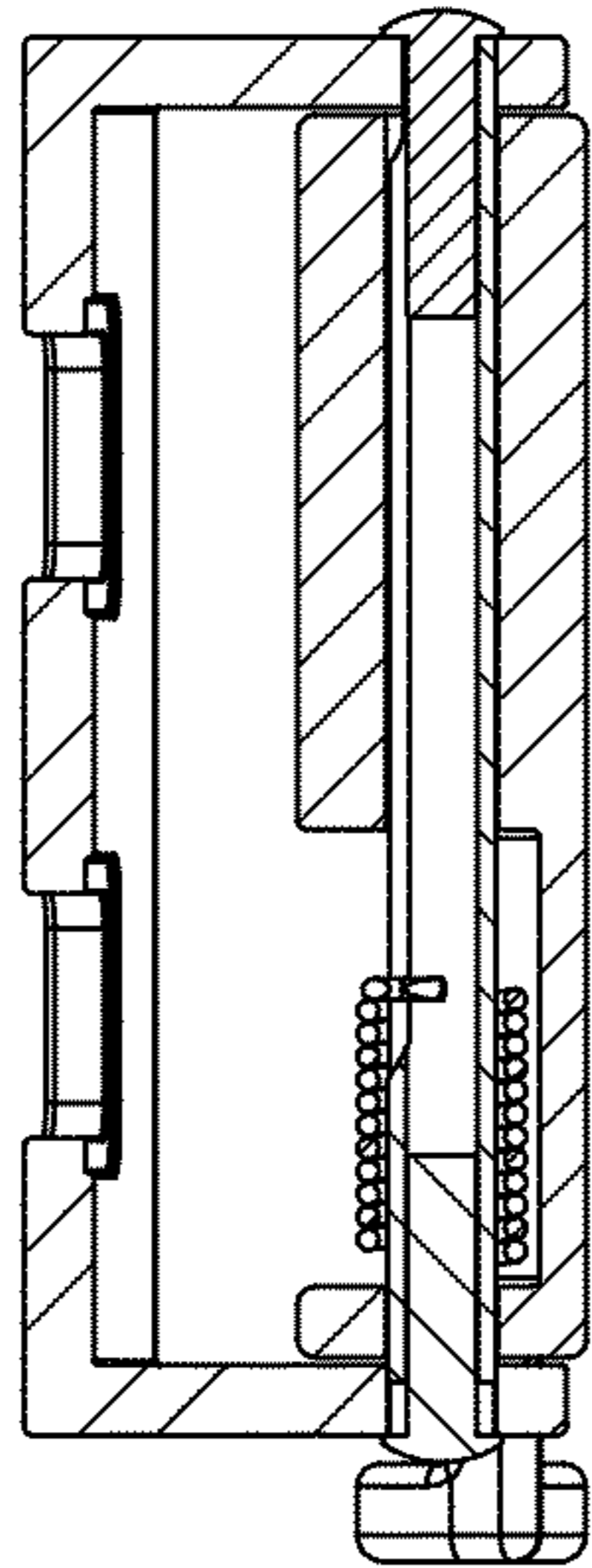


FIG. 10

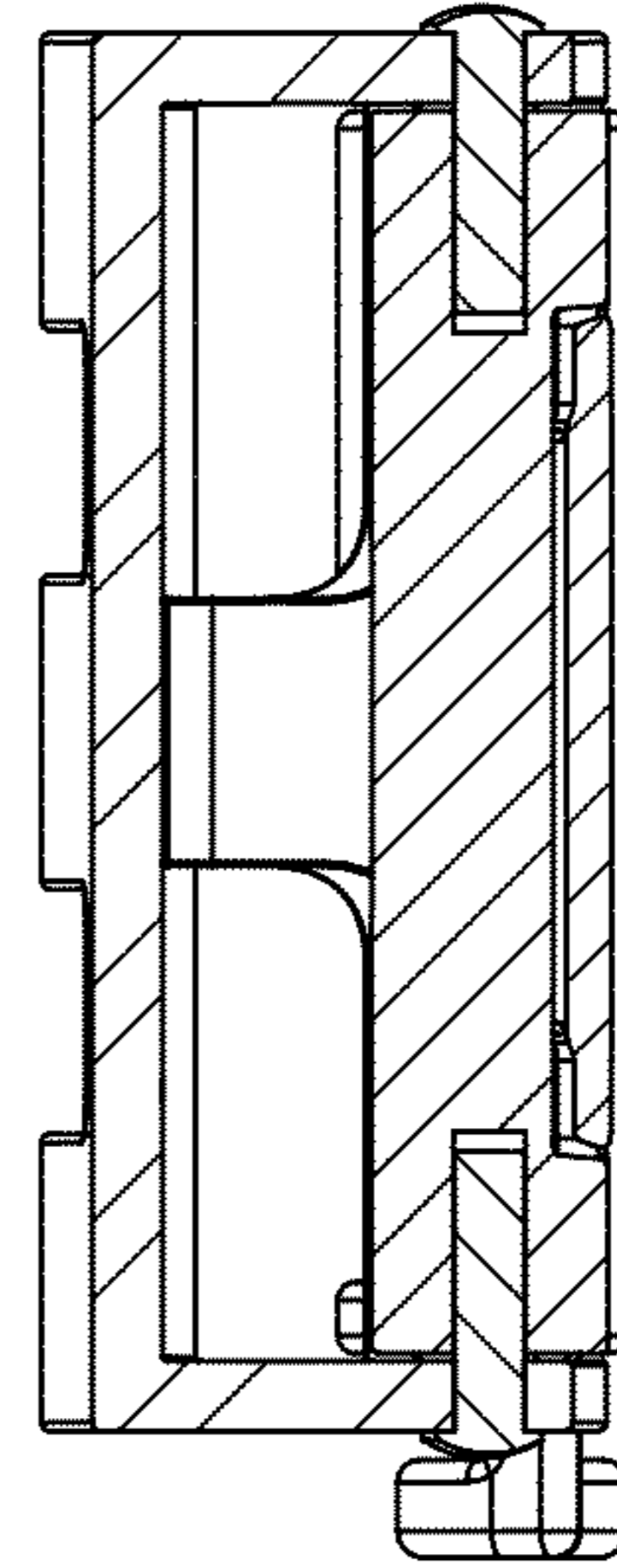


FIG. 11

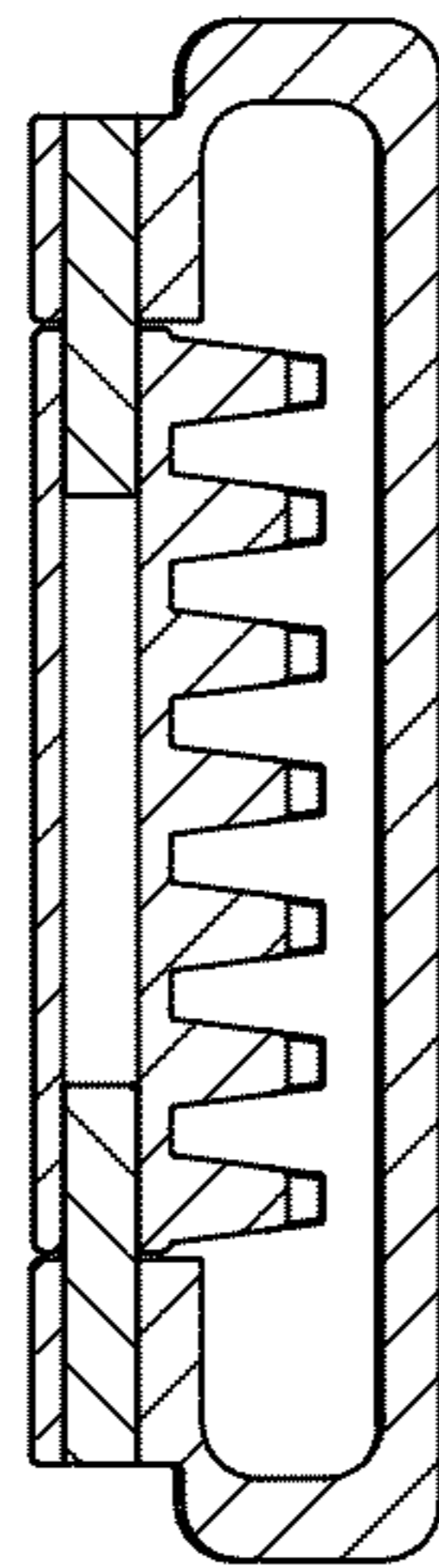


FIG. 12