



US00D743840S

(12) **United States Design Patent**
Digenakis

(10) **Patent No.:** **US D743,840 S**

(45) **Date of Patent:** **** Nov. 24, 2015**

(54) **TELESCOPING NAUTICAL FLAGPOLE**

(71) Applicant: **Kimon Digenakis**, Muncy, PA (US)

(72) Inventor: **Kimon Digenakis**, Muncy, PA (US)

(**) Term: **14 Years**

(21) Appl. No.: **29/495,844**

(22) Filed: **Jul. 3, 2014**

(51) **LOC (10) Cl.** **11-05**

(52) **U.S. Cl.**
USPC **D11/181**

(58) **Field of Classification Search**

USPC D5/9, 21, 30, 41, 99; D11/165–173,
D11/175–183; D20/11, 19, 29, 36, 41, 42;
D21/573; D22/103; 40/218, 604;
42/71.01; 116/26, 173

CPC ... G09F 17/00; G09F 7/18; G09F 2017/0075;
F41B 7/08

See application file for complete search history.

(56) **References Cited**

U.S. PATENT DOCUMENTS

3,323,486	A *	6/1967	Woolf	116/173
3,795,216	A *	3/1974	MacPherson	112/449
4,269,134	A *	5/1981	Shapland	114/107
D277,584	S *	2/1985	Annestedt	D20/43
D281,407	S *	11/1985	Gustafsson	D11/181
4,910,901	A *	3/1990	Boyar	40/607.06
4,980,984	A *	1/1991	Kulp et al.	40/610
D342,285	S *	12/1993	Boyar	D20/41
D345,947	S *	4/1994	Brown et al.	D11/166
5,540,017	A *	7/1996	Eilam et al.	52/118
D403,617	S *	1/1999	Zeese	D11/181
D479,859	S *	9/2003	Strunk et al.	D20/41
D533,111	S *	12/2006	Taddia	D11/181
D645,379	S *	9/2011	Downey	D11/166
D645,781	S *	9/2011	Graber et al.	D11/181
8,069,811	B2 *	12/2011	Ciaccia	116/173
8,881,669	B2 *	11/2014	Horvath	116/174
2003/0217496	A1 *	11/2003	Dicke et al.	40/610
2009/0013921	A1 *	1/2009	Yun	116/173

2010/0101479	A1 *	4/2010	Grahl et al.	116/173
2010/0116192	A1 *	5/2010	Avery et al.	116/173
2011/0203510	A1 *	8/2011	Dover	116/26
2012/0318189	A1 *	12/2012	Oyoung	116/173
2014/0290557	A1 *	10/2014	Hickey et al.	116/173

* cited by examiner

Primary Examiner — Karen S Acker

Assistant Examiner — Clare Ann Gannon

(74) *Attorney, Agent, or Firm* — Sonya C. Harris; Invention Services

(57) **CLAIM**

The ornamental design for the telescoping nautical flagpole, as shown and described.

DESCRIPTION

FIG. 1 is a front elevational view of a telescoping nautical flagpole;

FIG. 2 is a right side elevational view of the design of FIG. 1;

FIG. 3 is a left side elevational view of the design of FIG. 1;

FIG. 4 a top front left perspective view of the design of FIG. 1;

FIG. 5 is a top front right perspective view of the design of FIG. 1;

FIG. 6 is an enlarged top elevational view of the design of FIG. 1;

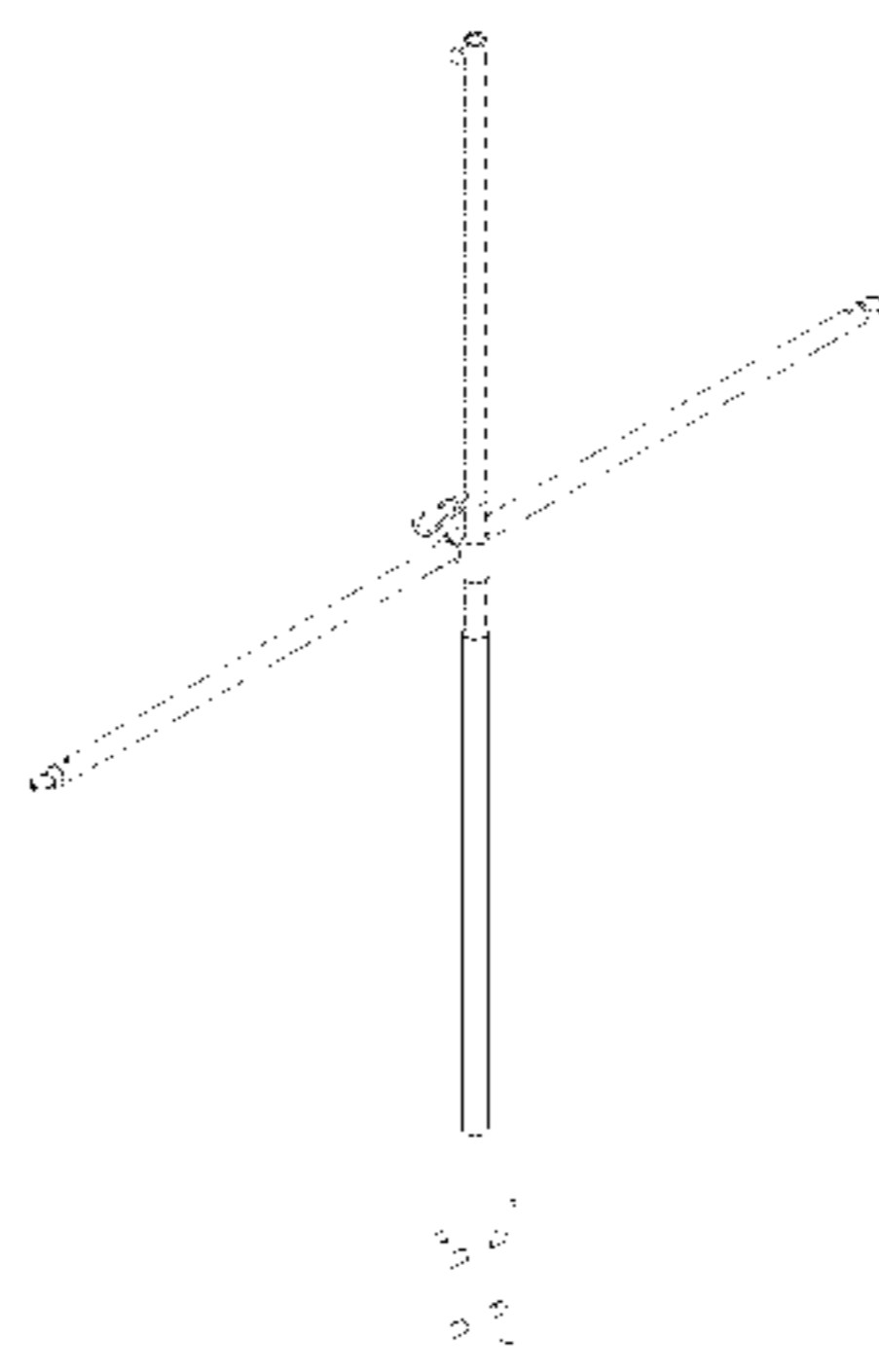
FIG. 7 is a front elevational view of the design of FIG. 1, the broken lines depicting exemplary flags strung about my design, and is environmental structure for illustrative purposes only and form no part of the claimed design;

FIG. 8 is a front left perspective view of the design of FIG. 1, the broken lines depicting exemplary flags strung about my design, and is environmental structure for illustrative purposes only and form no part of the claimed design; and,

FIG. 9 is an enlarged detail top rear perspective view illustrating the central components of the telescoping nautical flagpole.

The broken lines in FIGS. 7 and 8 depict environmental structure that forms no part of the claimed design. The broken lines in FIG. 9 indicate the boundaries of the area of the detail and are not claimed.

1 Claim, 8 Drawing Sheets



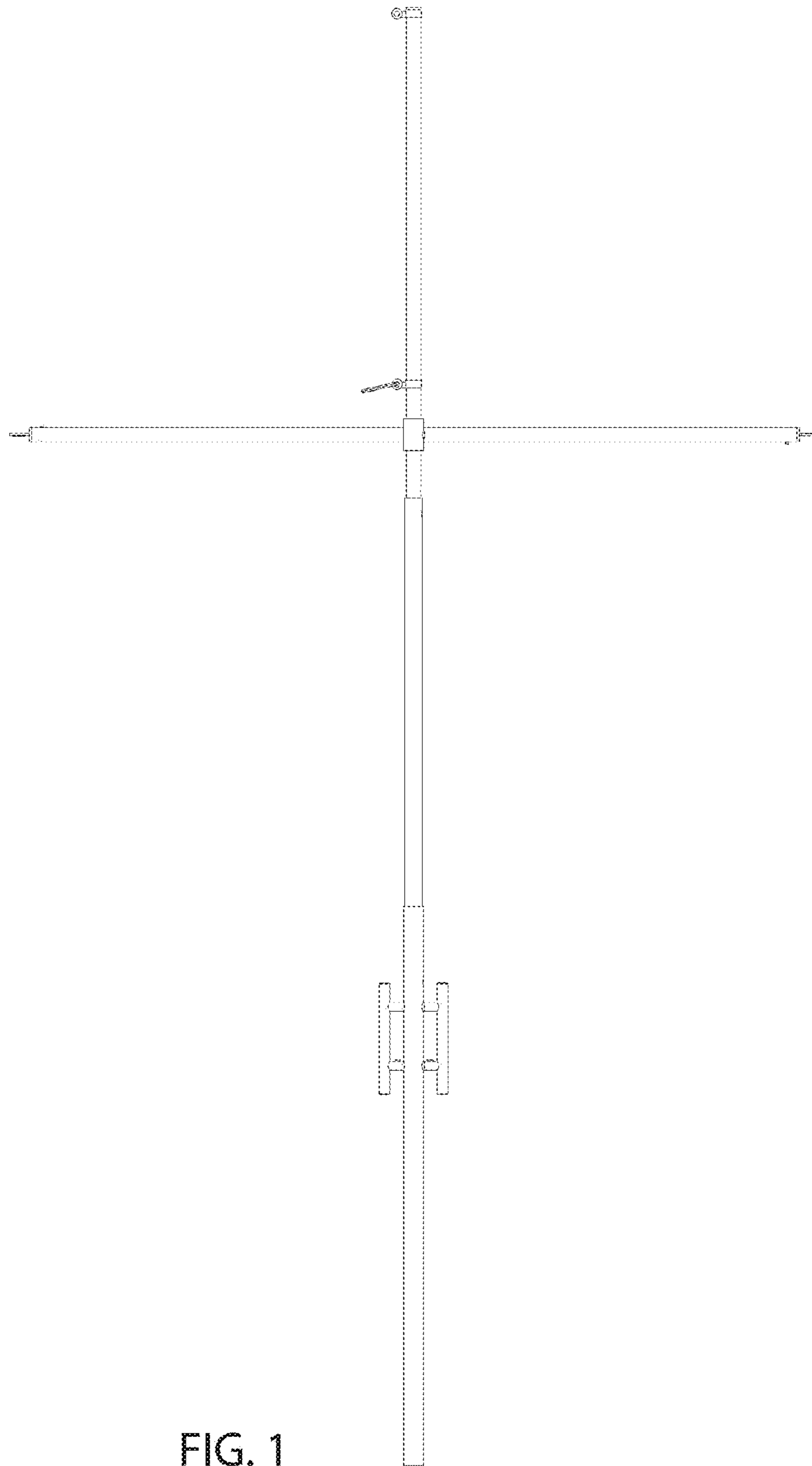


FIG. 1

FIG. 2



FIG. 3



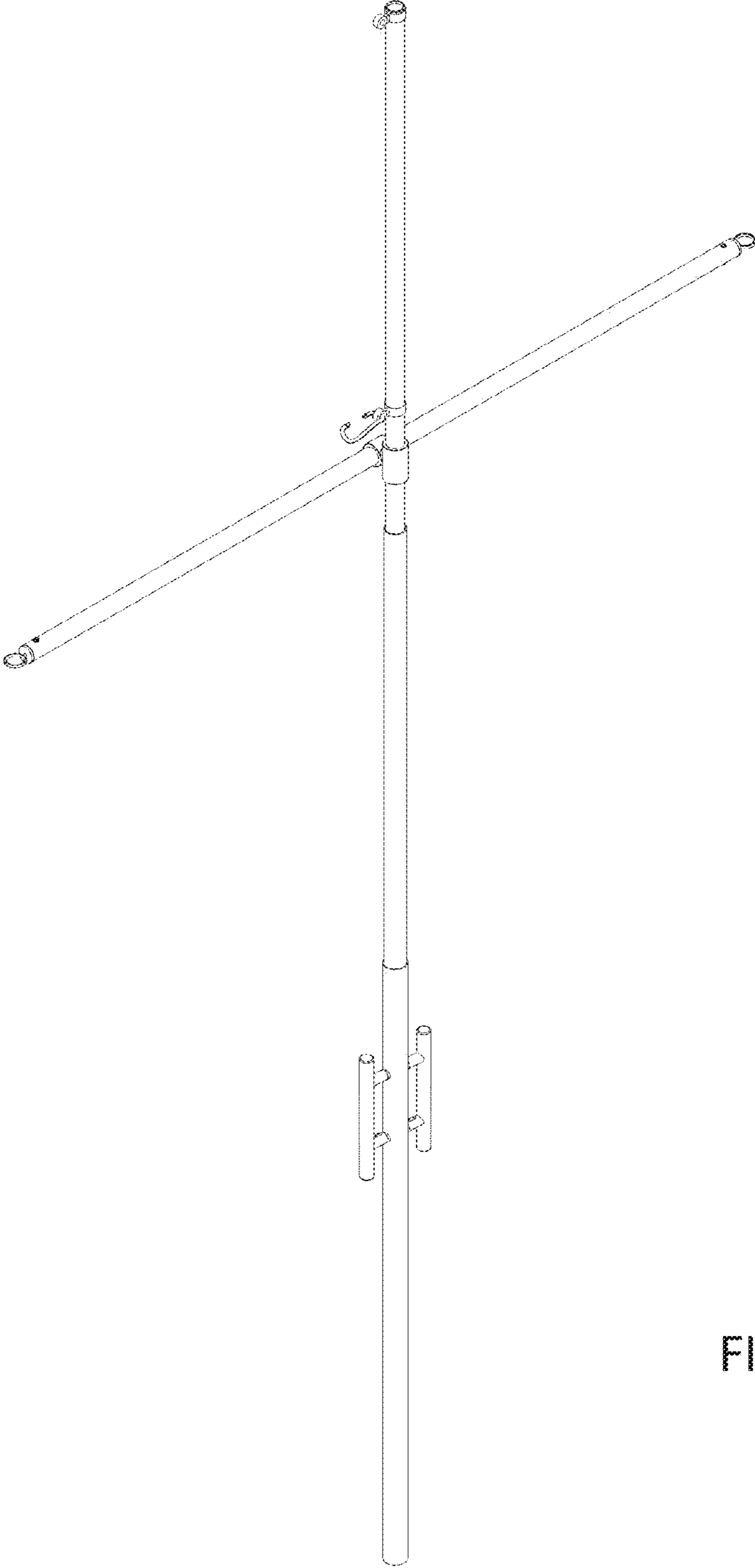


FIG. 4

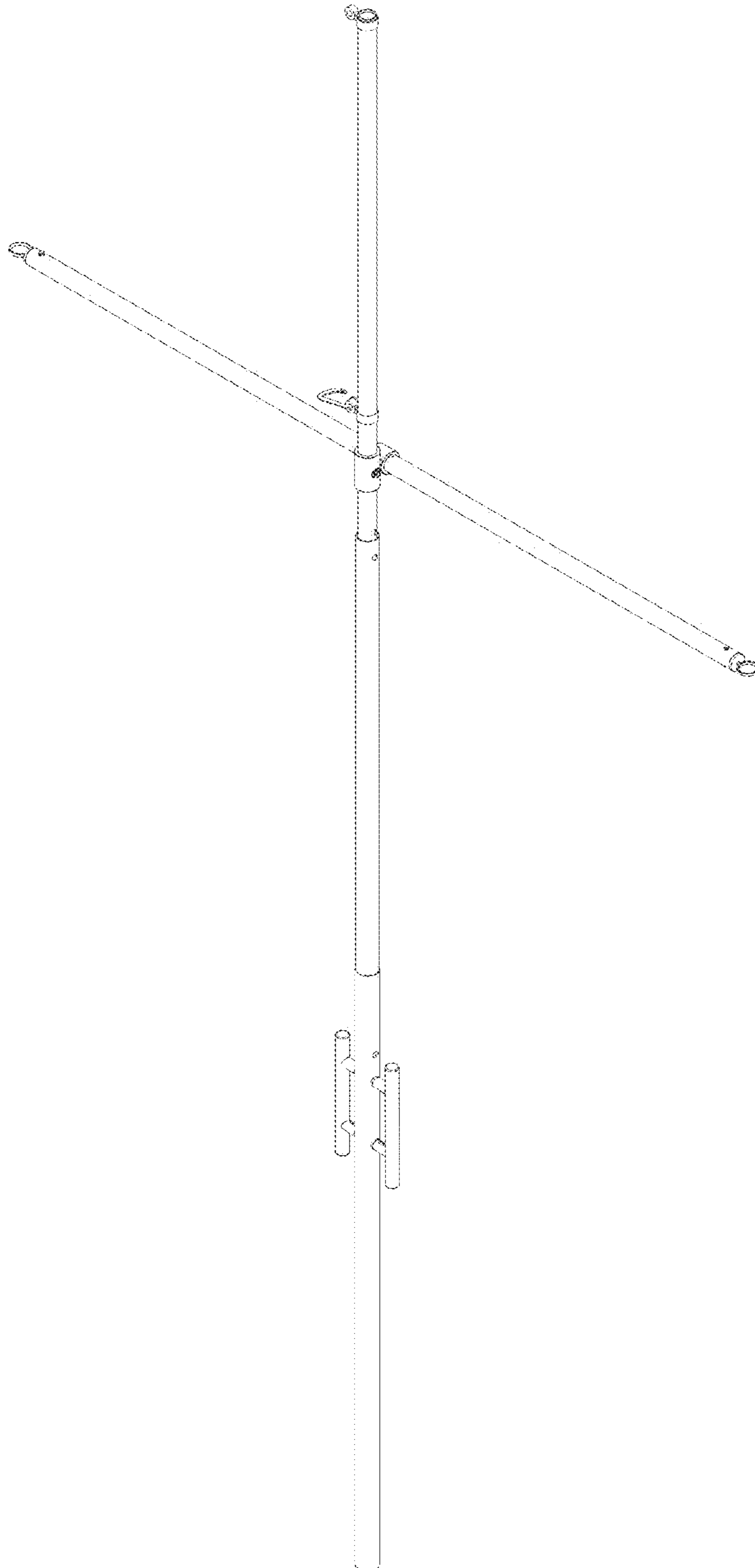


FIG. 5

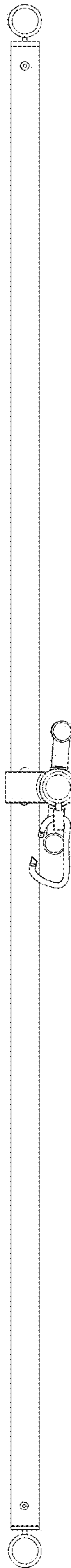


FIG. 6

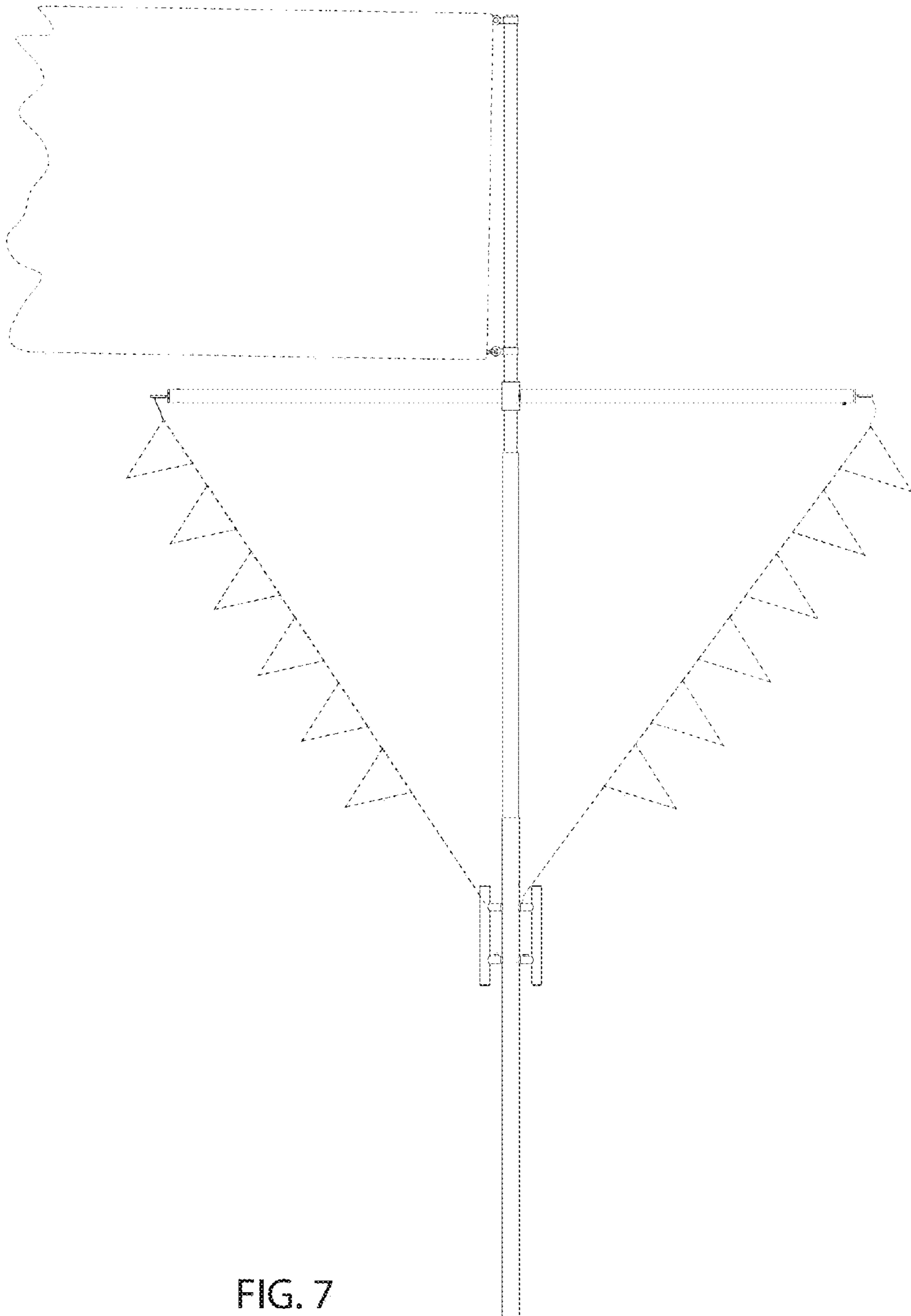


FIG. 7

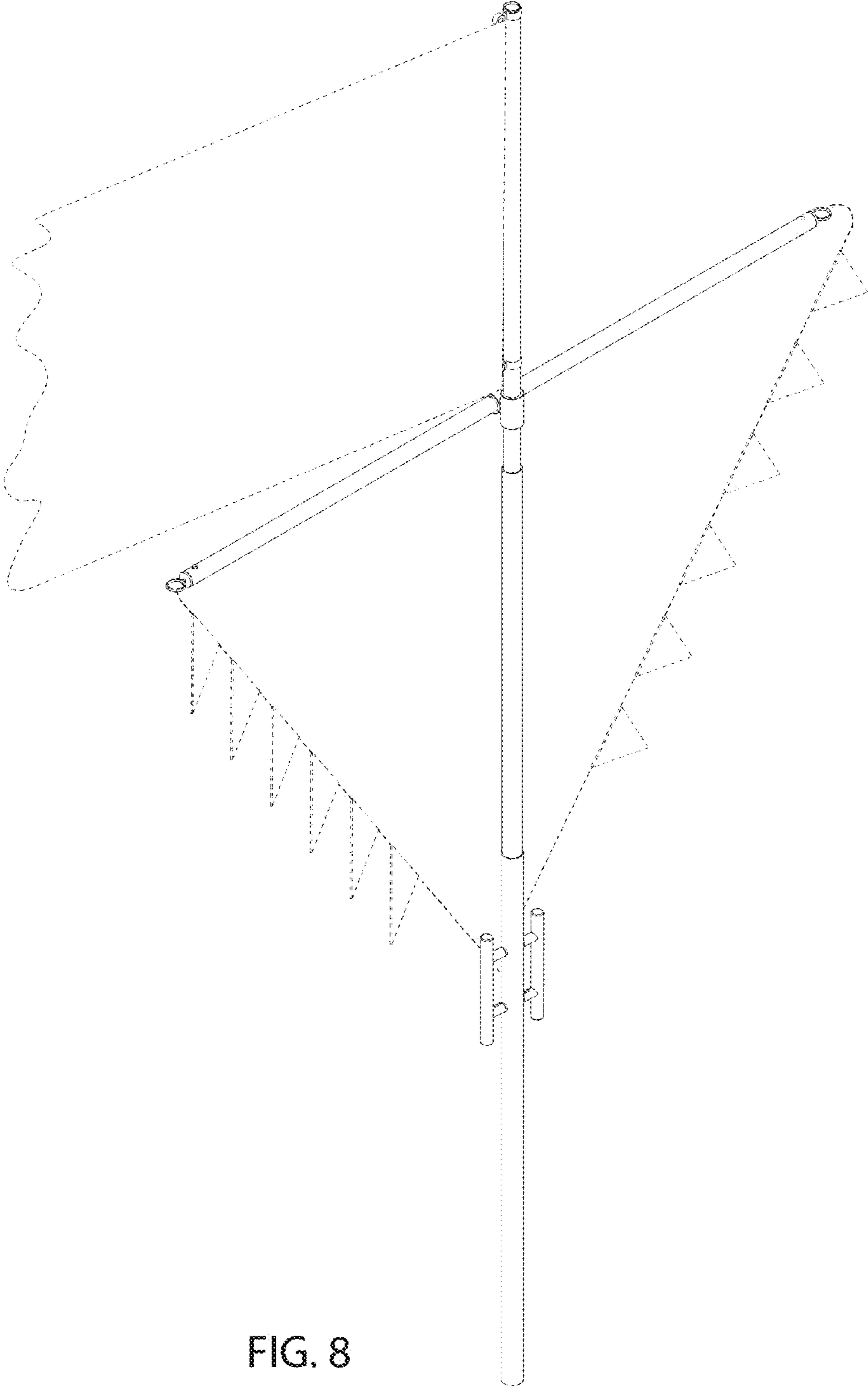


FIG. 8

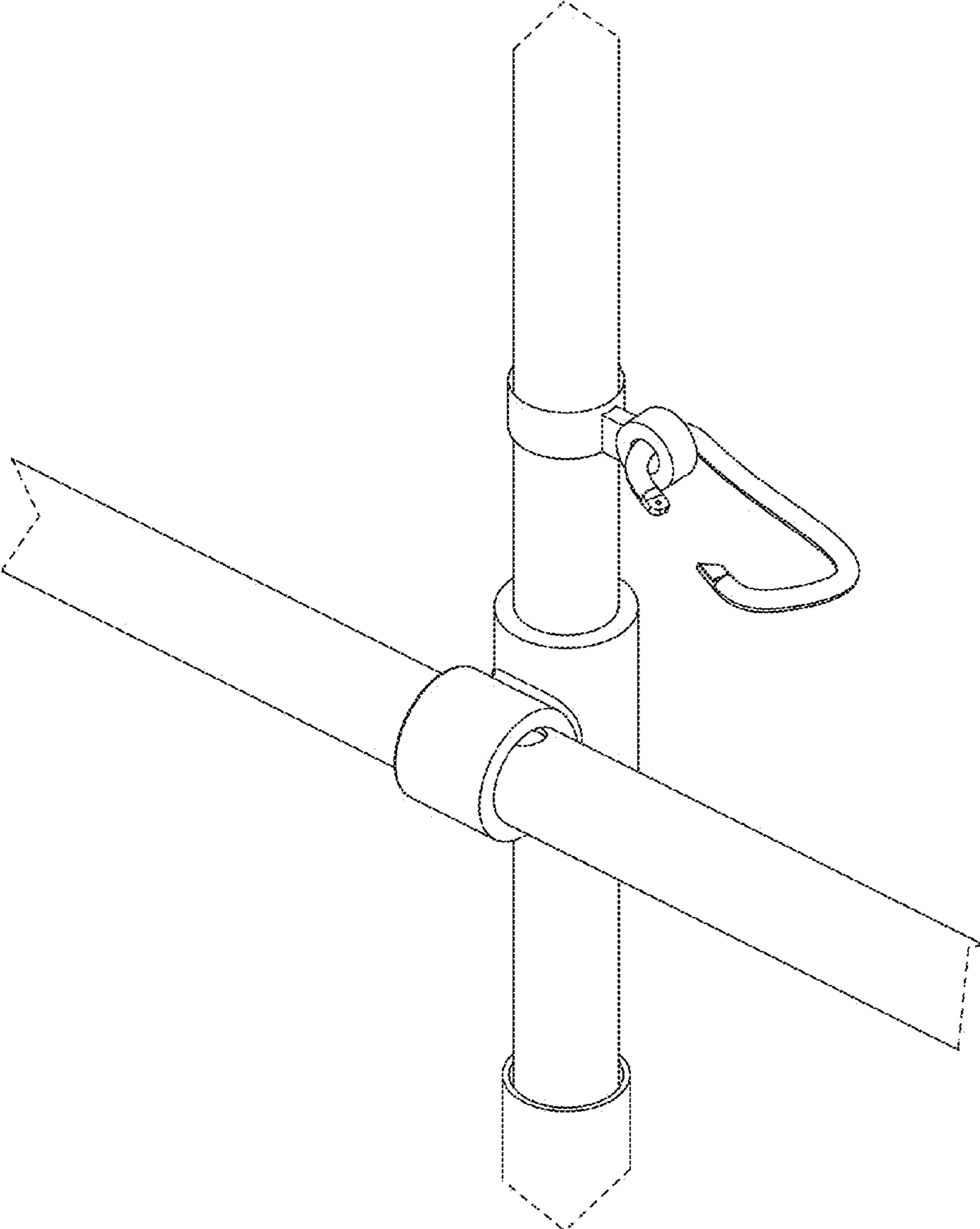


FIG. 9