



US00D743836S

(12) **United States Design Patent**
Chacon

(10) **Patent No.:** **US D743,836 S**

(45) **Date of Patent:** **** Nov. 24, 2015**

(54) **BONDED HEARTS BEND OVER ORNAMENT**

(71) Applicant: **William Shantia Chacon**, Pocola, OK
(US)

(72) Inventor: **William Shantia Chacon**, Pocola, OK
(US)

(73) Assignee: **CabinAyacht Patents Enterprize LLC**,
Pocola, OK (US)

(**) Term: **14 Years**

(21) Appl. No.: **29/442,896**

(22) Filed: **Jun. 10, 2013**

(51) **LOC (10) Cl.** **11-02**

(52) **U.S. Cl.**
USPC **D11/133**

(58) **Field of Classification Search**
USPC D1/112; D6/300-303, 308, 314;
D7/710; D11/44, 56, 81, 103, 121,
D11/131, 133, 140; D20/10; 206/575, 584
CPC A44C 1/00; A44C 5/185; A44C 15/005;
A44C 15/0055; A44C 17/02; A44C 25/001;
A44C 25/007

See application file for complete search history.

(56) **References Cited**

U.S. PATENT DOCUMENTS

D83,742 S	3/1931	Niemeyer	
D98,666 S	2/1936	Fago	
D121,957 S	8/1940	Holstein	
D127,492 S	5/1941	Sacchetti	
D135,263 S	3/1943	Felsenthal	
D137,006 S	1/1944	Pereira	
D140,143 S	1/1945	Katz	
D140,548 S	3/1945	Klein	
D141,440 S	6/1945	Hobe	
D145,213 S	7/1946	Hobe	
D151,163 S	9/1948	Pennino	
D153,527 S	4/1949	Katz	
D259,153 S *	5/1981	Valente	D3/270

D291,425 S *	8/1987	Webb	D11/83
D323,792 S	2/1992	Scotti	
D339,762 S	9/1993	Coleman	
D342,144 S	12/1993	Yang	
D342,918 S	1/1994	Henry	
D362,189 S *	9/1995	Chen	D10/6
D378,502 S	3/1997	Szlanfucht	
D379,831 S	6/1997	Lush	
D389,695 S *	1/1998	Nabina	D7/354
D396,560 S	8/1998	Beatty	
D475,649 S *	6/2003	Comolli	D11/81

(Continued)

FOREIGN PATENT DOCUMENTS

CN	2111049	7/1992
CN	2744627	12/2005

(Continued)

Primary Examiner — Eric Goodman

Assistant Examiner — Amy Wierenga

(74) *Attorney, Agent, or Firm* — William S. Chacon

(57) **CLAIM**

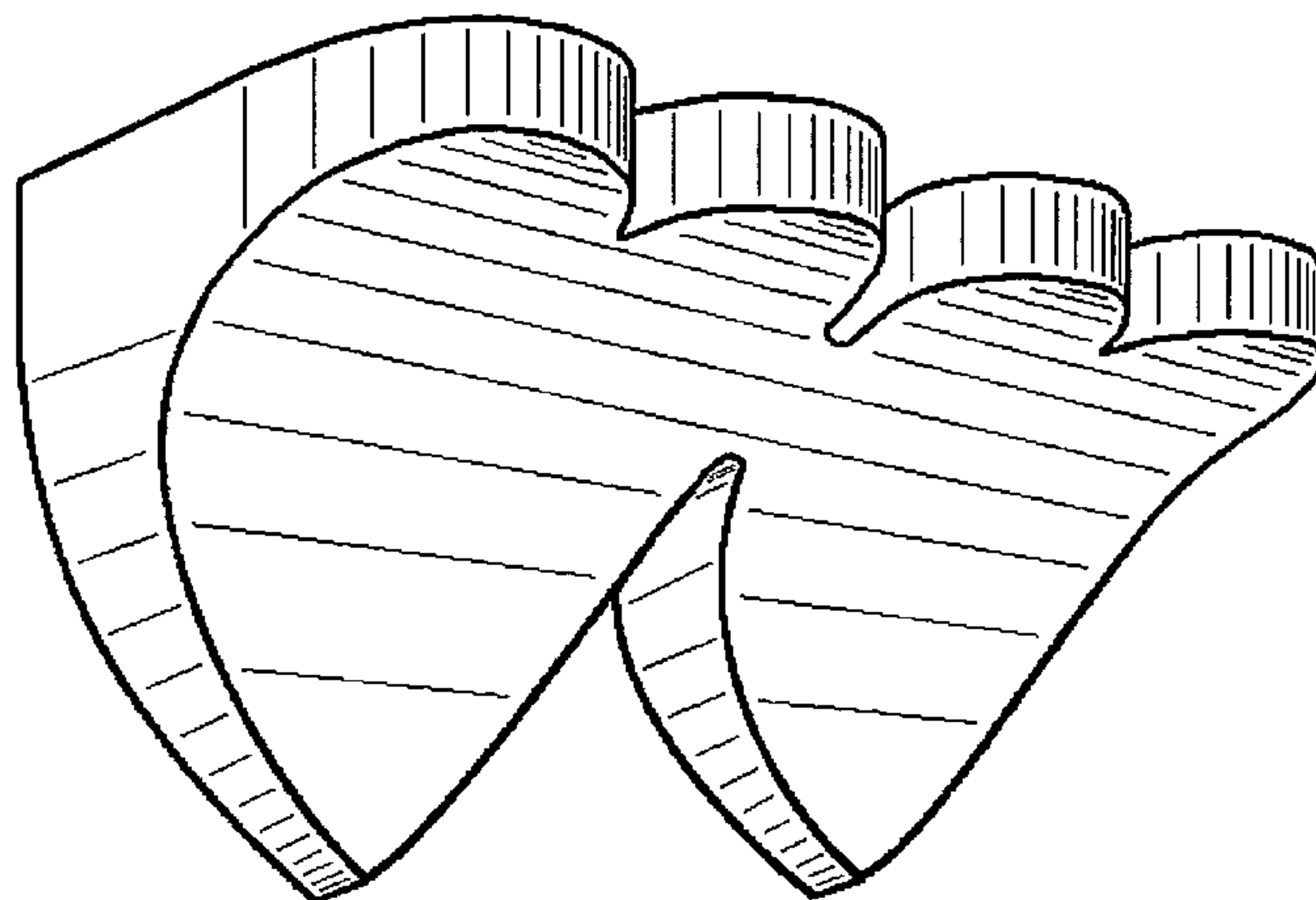
The ornamental design for a bonded hearts bend over ornament, as shown and described.

DESCRIPTION

FIG. 1 is a front and left side upward perspective view of a bonded hearts bend over ornament showing my new design; FIG. 2 is a left side elevational view thereof, the right side elevation view thereof being a mirror image; FIG. 3 is a front elevational view thereof depicted on a head-board environment; FIG. 4 is a top plan view thereof; FIG. 5 is a front upward slope view thereof; FIG. 6 is a bottom plan view thereof; and, FIG. 7 is a front elevational view thereof depicted on a wall environment.

The broken lines in the drawings depict environmental subject matter only and form no part of the claimed design.

1 Claim, 4 Drawing Sheets



US D743,836 S

Page 2

(56)

References Cited

U.S. PATENT DOCUMENTS

D483,285 S 12/2003 Reardon
D534,451 S 1/2007 Reardon
D541,696 S * 5/2007 Chan D11/157
D542,171 S 5/2007 Olson
D588,327 S * 3/2009 Risko et al. D1/112
D589,391 S * 3/2009 Sandberg D11/86
D622,628 S 8/2010 Castaline
D635,323 S * 3/2011 School D99/5
D645,374 S * 9/2011 Mouawad D11/1

D656,053 S * 3/2012 Bax Stas D11/1
D656,858 S 4/2012 Mouawad
D719,818 S * 12/2014 Kelleghan D8/356

FOREIGN PATENT DOCUMENTS

CN 201165792 12/2008
CN 201968276 9/2011
CN 202389015 8/2012
CN 202457252 10/2012

* cited by examiner

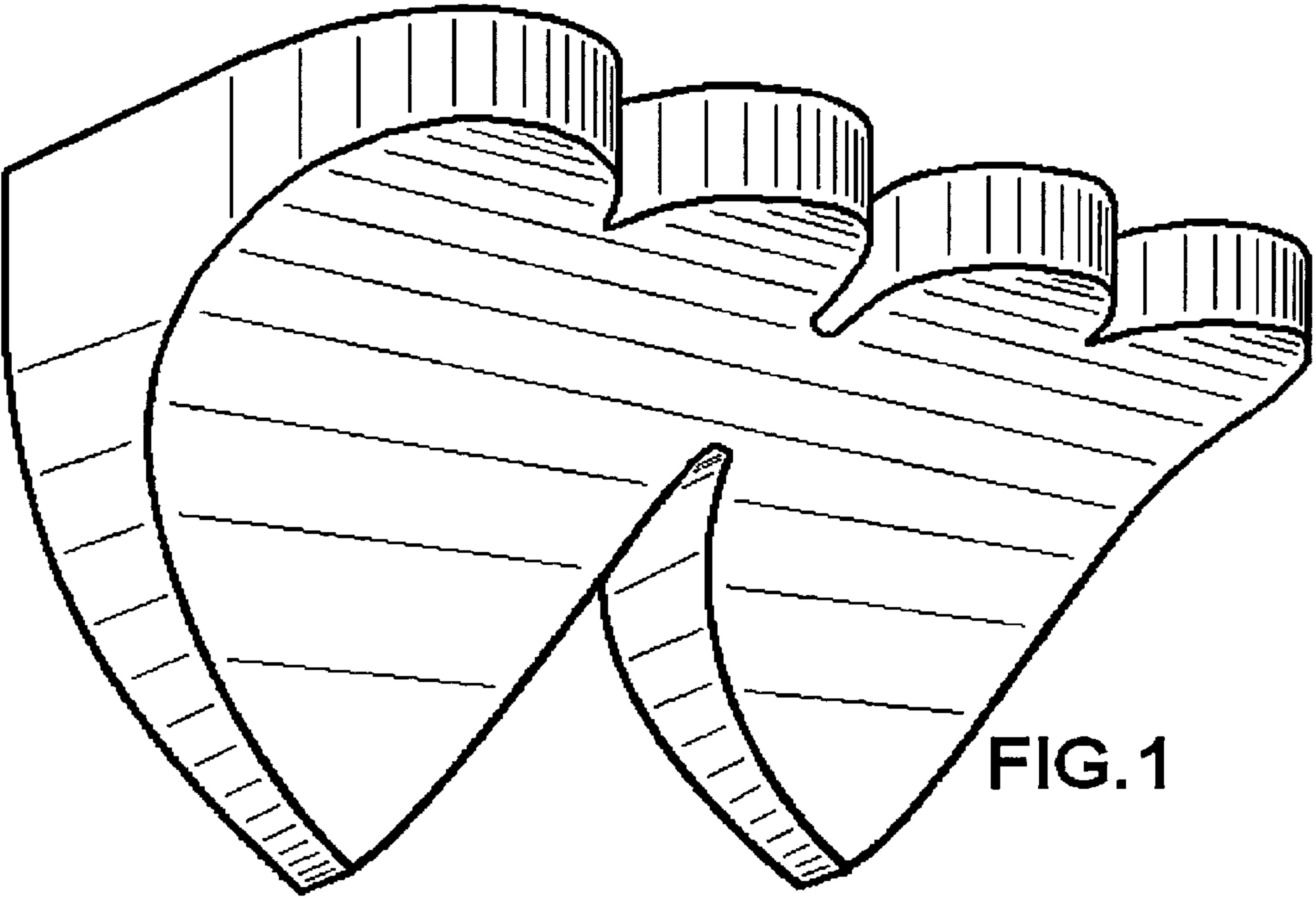


FIG. 1

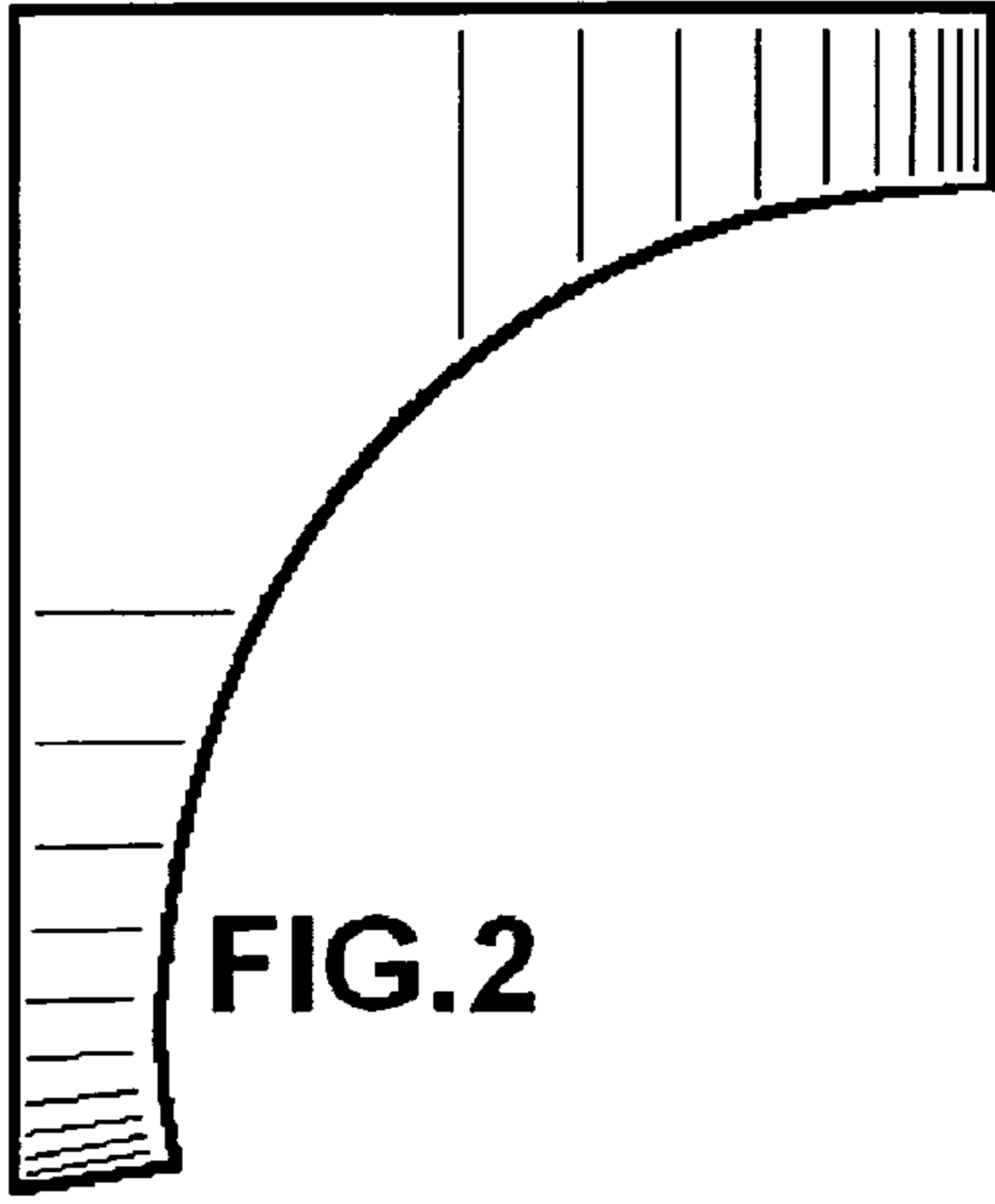


FIG. 2

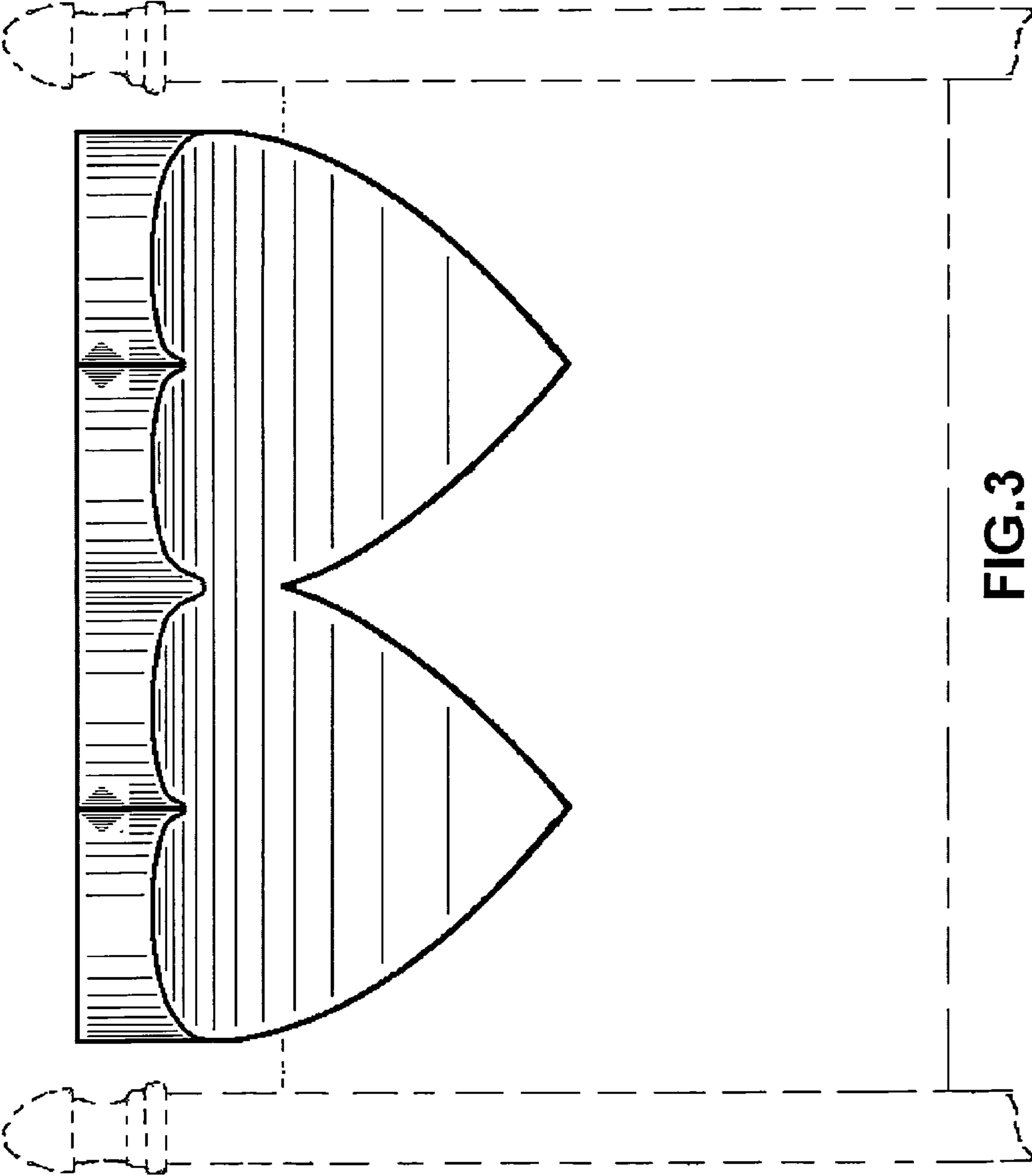


FIG.3

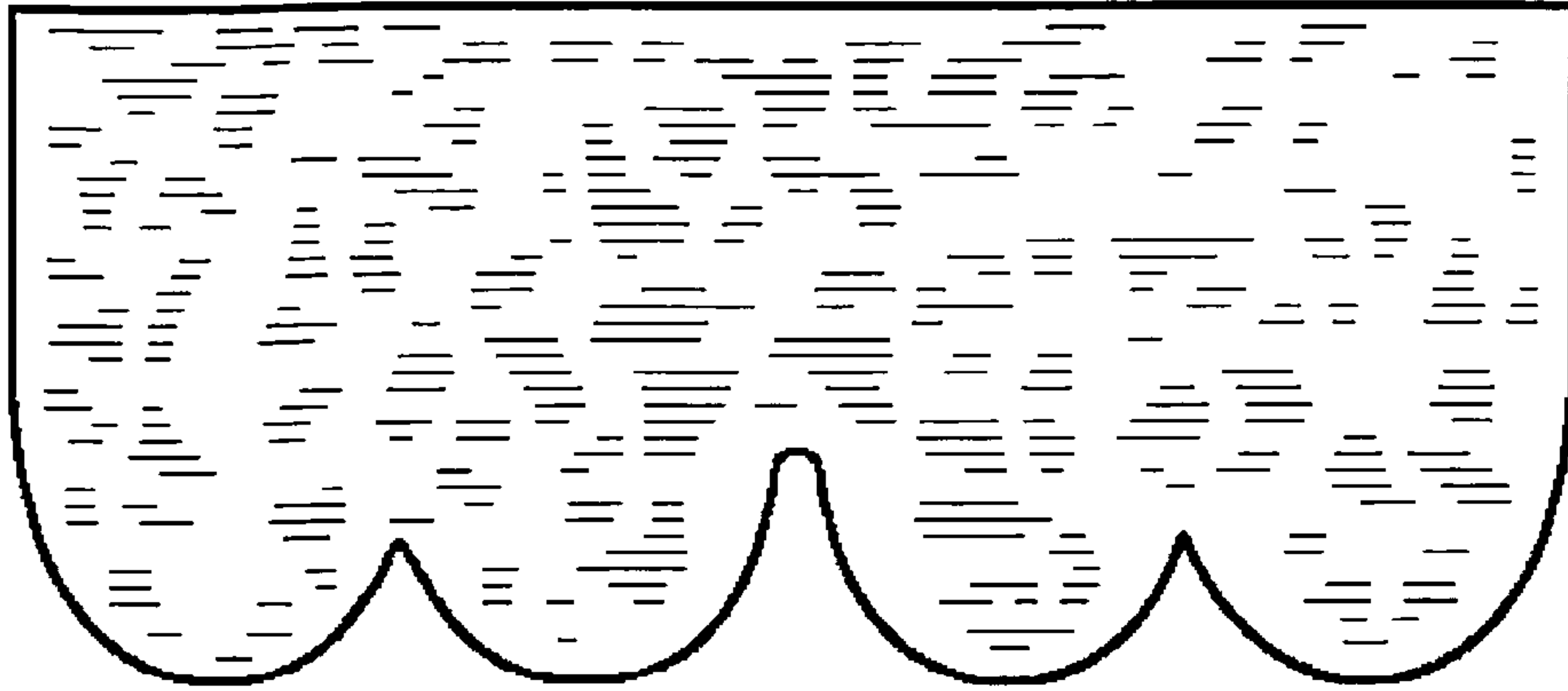


FIG. 4

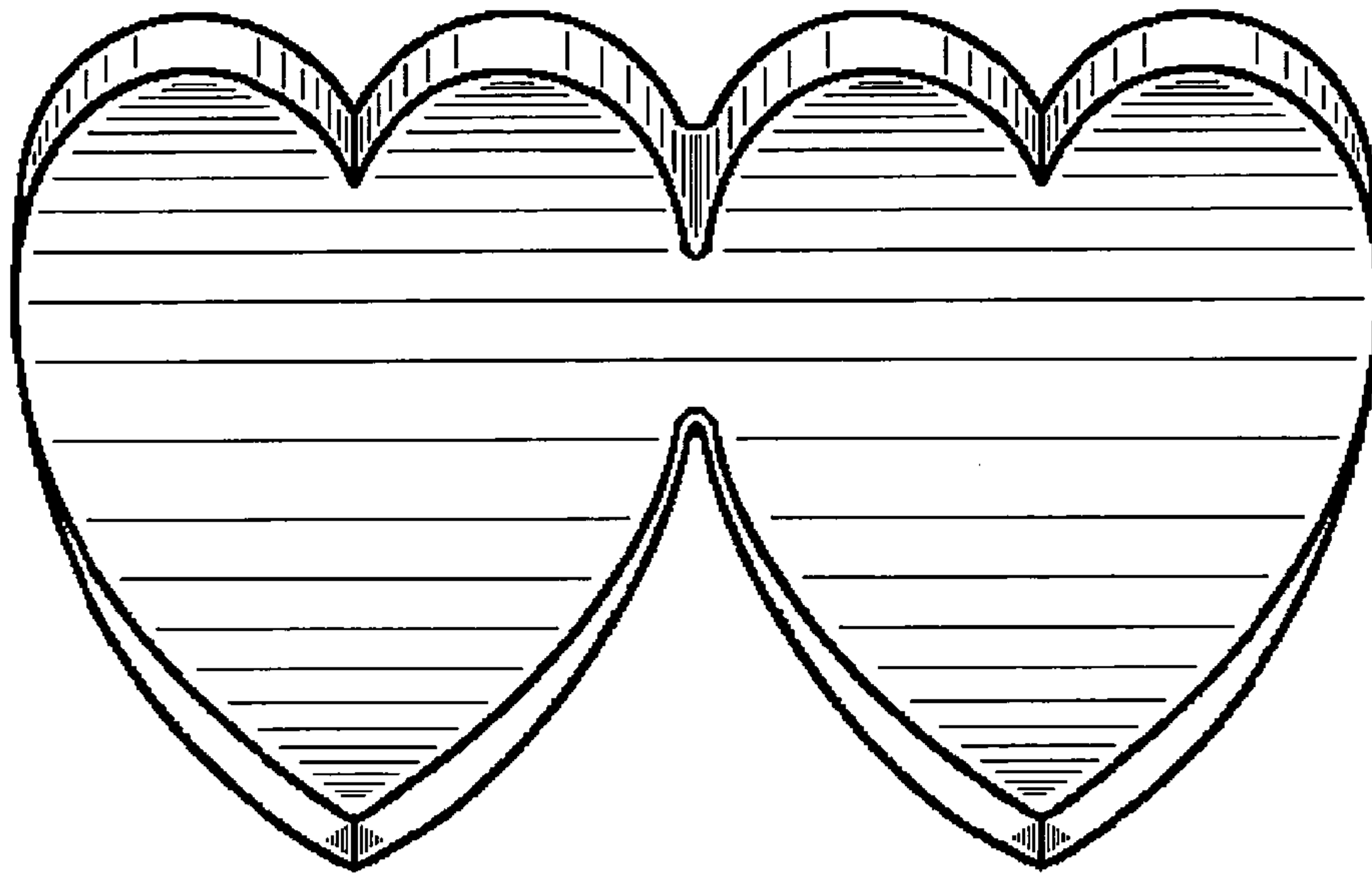


FIG. 5

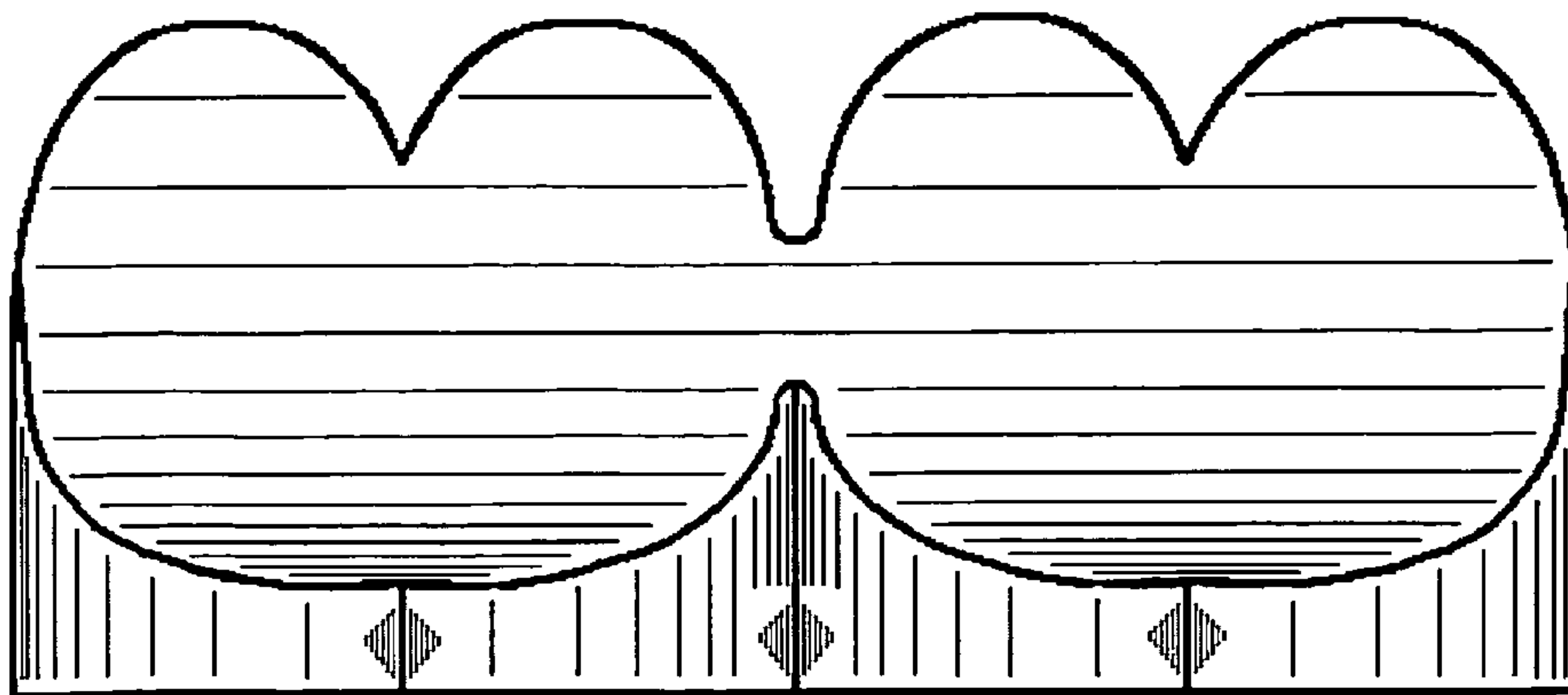


FIG. 6

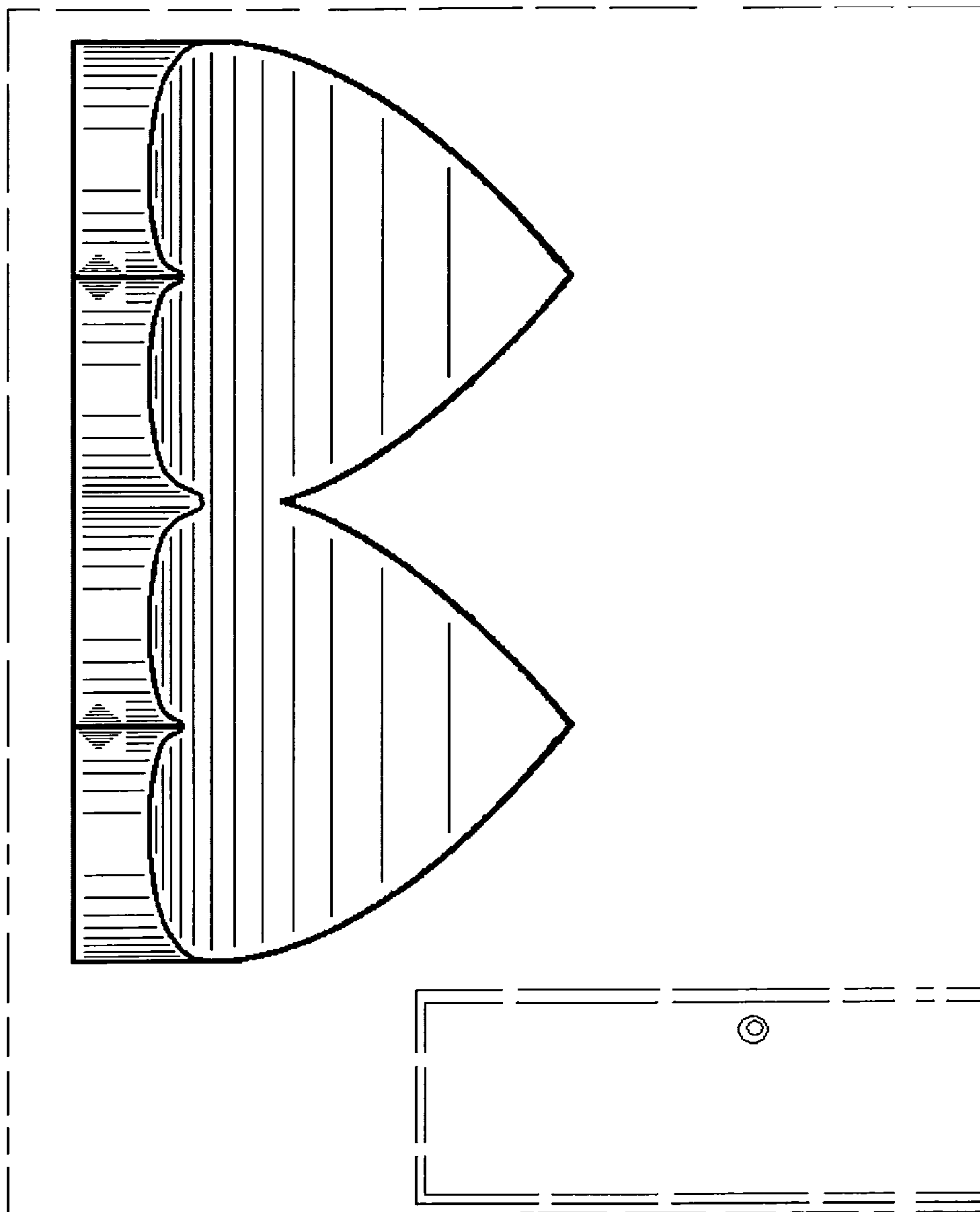


FIG. 7