



US00D743832S

(12) **United States Design Patent**
Gruosi

(10) **Patent No.:** **US D743,832 S**

(45) **Date of Patent:** **** Nov. 24, 2015**

(54) **CHARM**

(71) Applicant: **de Grisogono, S.A.**, Plan-les-Ouates (CH)

(72) Inventor: **Fawaz Gruosi**, Prangins (CH)

(73) Assignee: **de Grisogono**, Plan-les-Ouates (CH)

(**) Term: **14 Years**

(21) Appl. No.: **29/470,661**

(22) Filed: **Oct. 23, 2013**

(30) **Foreign Application Priority Data**

Apr. 23, 2013 (CH) 139881

(51) **LOC (10) Cl.** **11-01**

(52) **U.S. Cl.**
USPC **D11/81; D11/1**

(58) **Field of Classification Search**
USPC D11/1, 2, 7, 8, 40-43, 44, 45, 46, 47,
D11/48, 56, 79-86, 26-39, 91, 92, 93;
63/18, 19, 20, 26-28, 1.11; D3/207-21
See application file for complete search history.

(56) **References Cited**

U.S. PATENT DOCUMENTS

D40,581 S * 3/1910 Finberg D11/4
3,678,705 A * 7/1972 Korwin 63/18
D354,016 S * 1/1995 Schubert D11/42
D399,779 S * 10/1998 Bulgari D11/29
D448,699 S * 10/2001 Pasquetti D11/26

D597,435 S * 8/2009 Gruosi D11/4
D608,237 S * 1/2010 Gruosi D11/79
D612,283 S * 3/2010 Gruosi D11/26
D626,025 S * 10/2010 Iacomucci D11/26
D630,541 S * 1/2011 Shimansky D11/26
D643,324 S * 8/2011 Kim et al. D11/56
D663,649 S * 7/2012 Gruosi D11/26
D689,788 S * 9/2013 Gruosi D11/26
D714,180 S * 9/2014 Asgari D11/39
2008/0006055 A1 * 1/2008 Silvant 63/10

OTHER PUBLICATIONS

[Online] <http://www.cijintl.com/local/cache-vignettes/L514xH350/deggrisognoallegra2-9elca.jpg>. Retrieved Feb. 19, 2015.*

* cited by examiner

Primary Examiner — Jennifer Rivard
Assistant Examiner — Melanie Pellegrini
(74) *Attorney, Agent, or Firm* — Venjuris PC

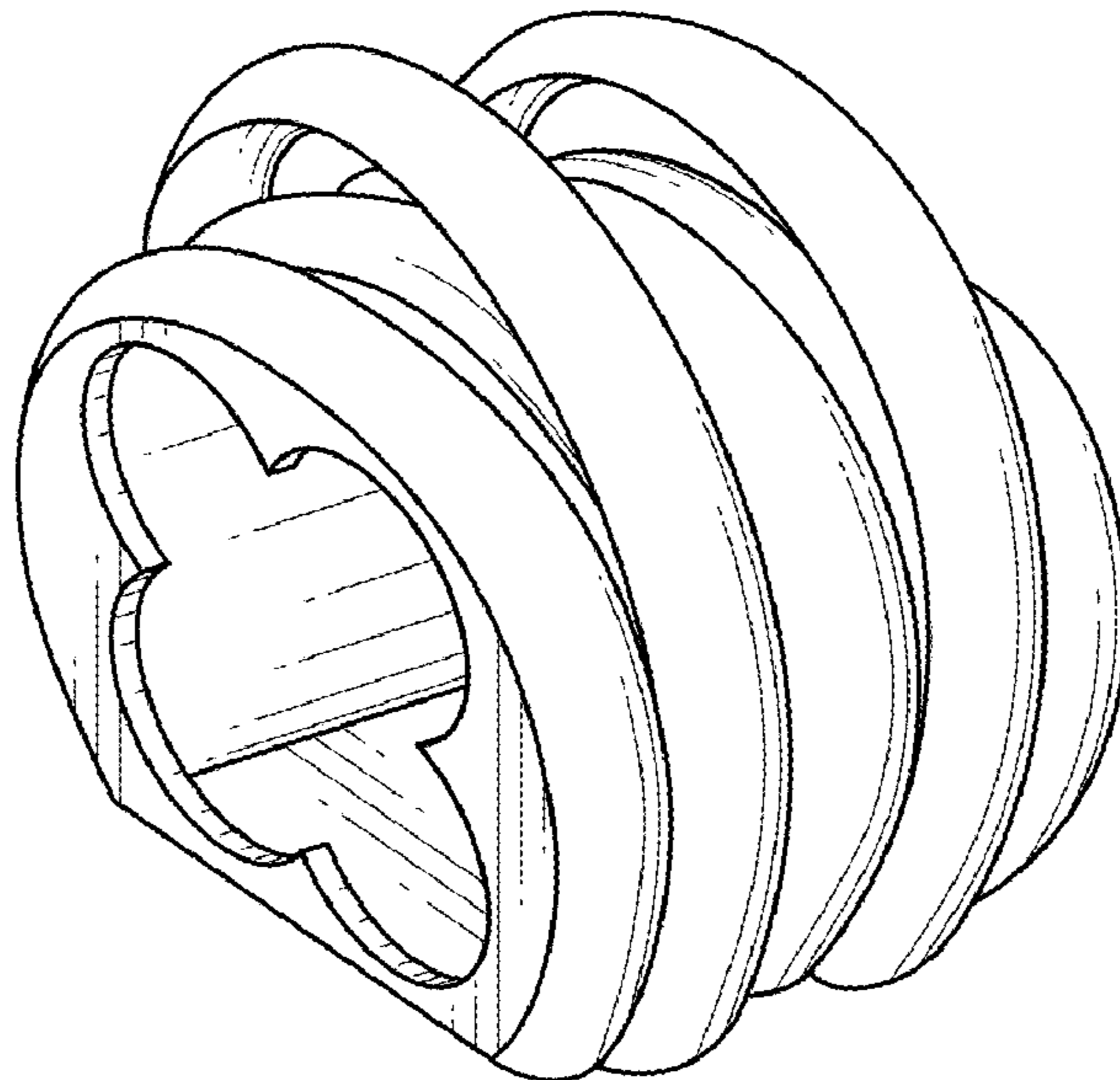
(57) **CLAIM**

The ornamental design for a charm, as shown and described.

DESCRIPTION

FIG. 1 is a front and top perspective view of a charm;
FIG. 2 is a top view of the charm;
FIG. 3 is a side perspective view of the charm;
FIG. 4 is an front view of the charm; and,
FIG. 5 is a bottom view of the charm.
The broken lines shown in FIG. 2 represent environment and form no part of the claimed design.

1 Claim, 5 Drawing Sheets



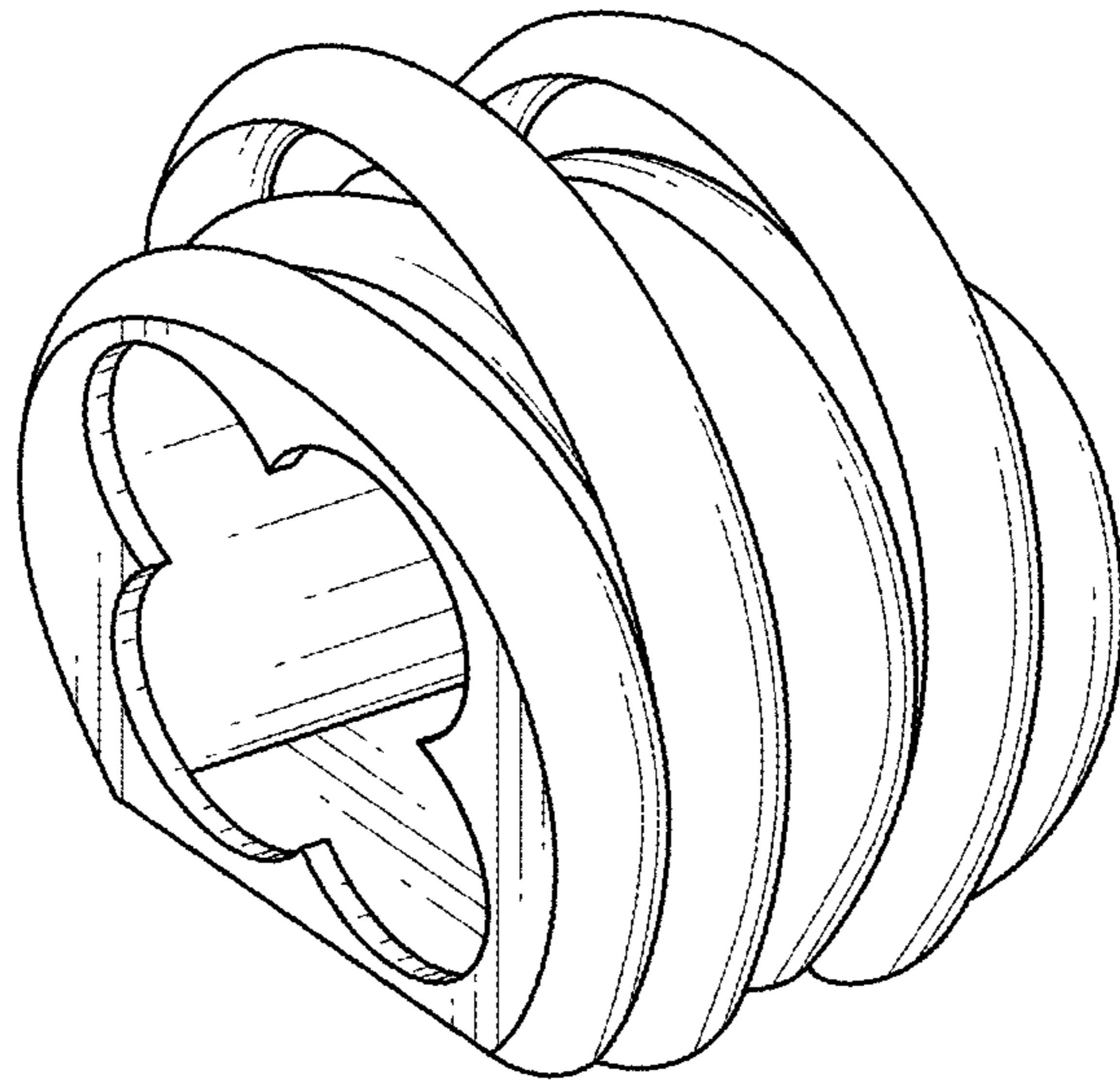


FIGURE 1

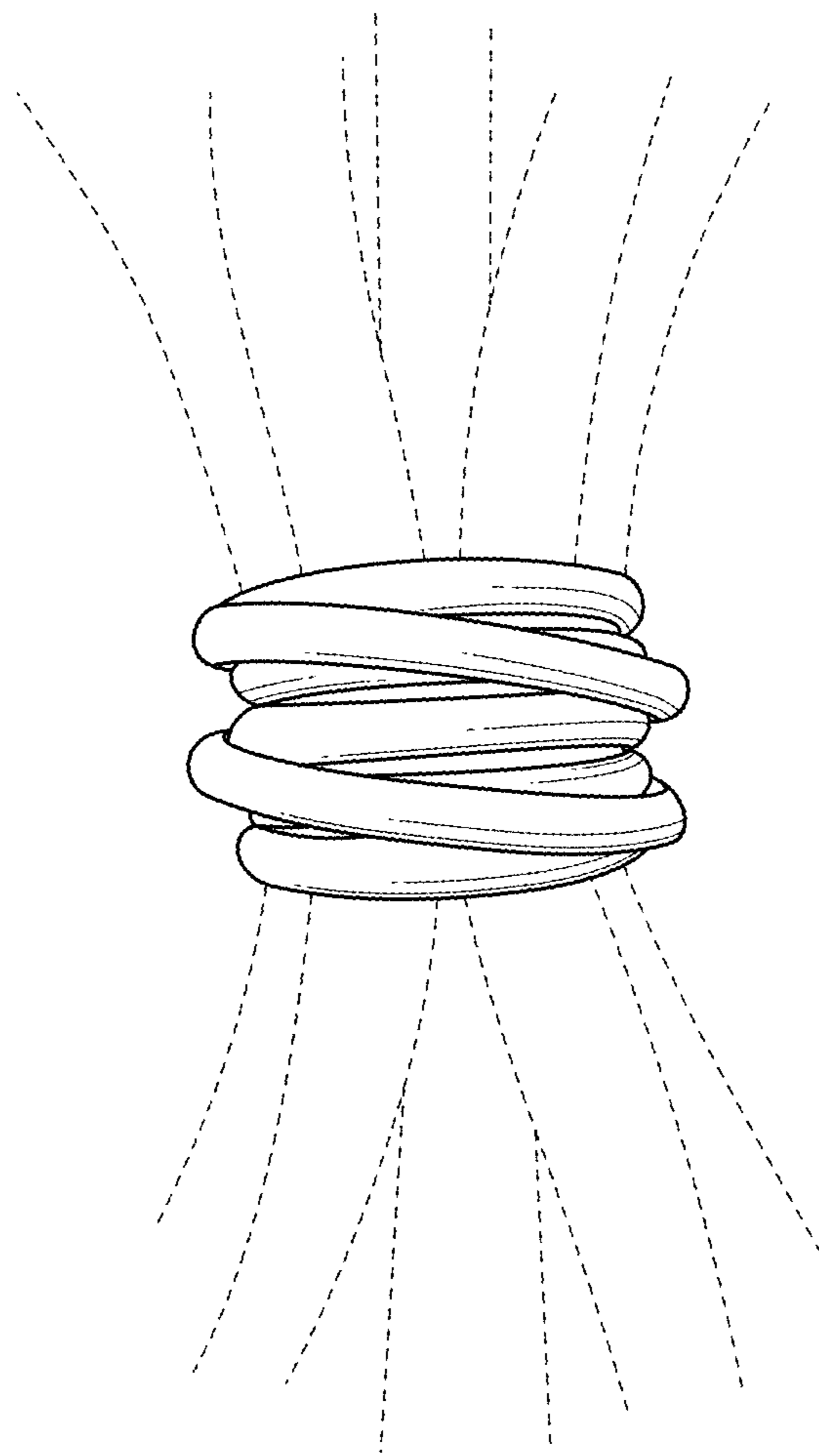


FIGURE 2

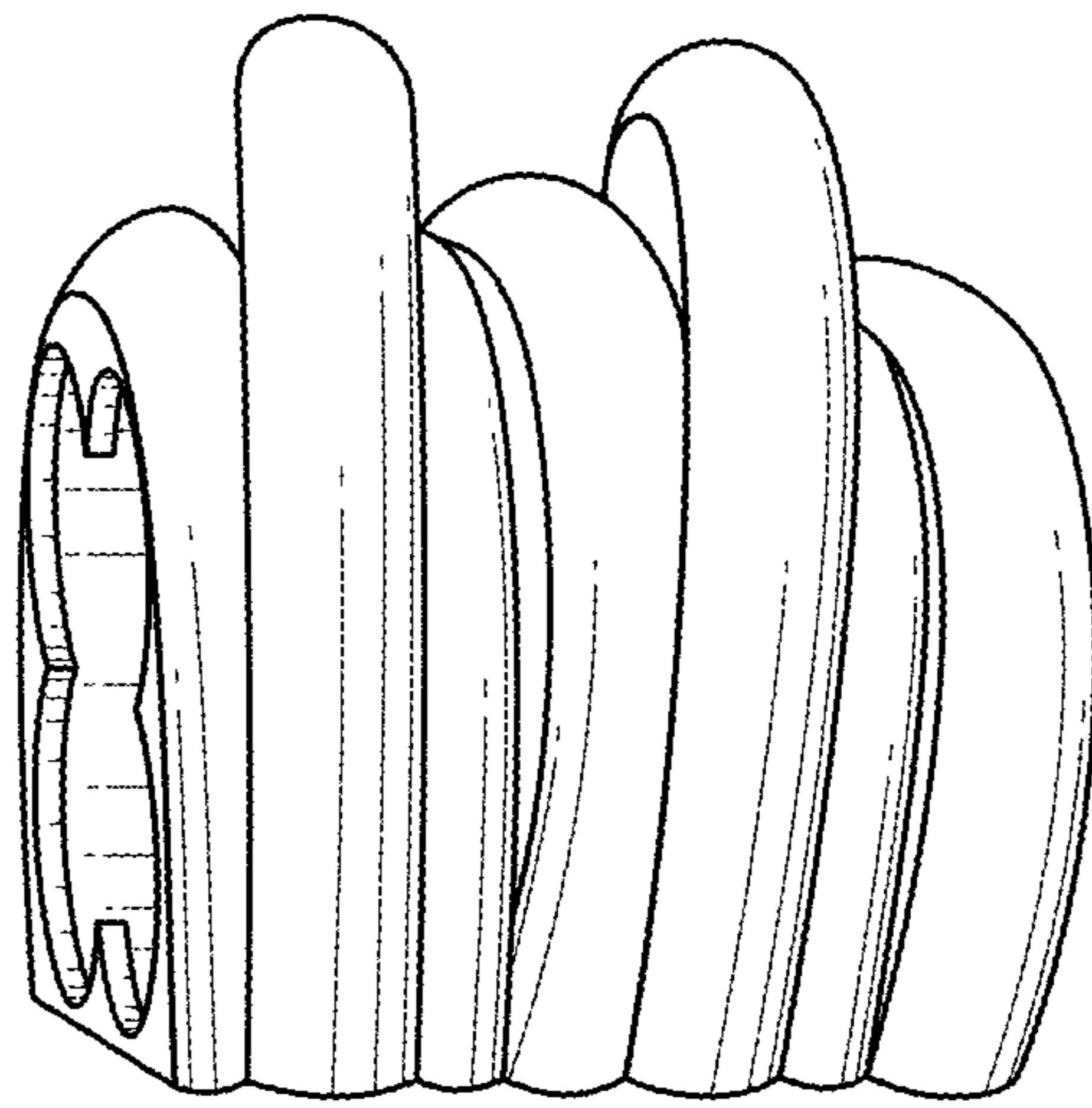


FIGURE 3

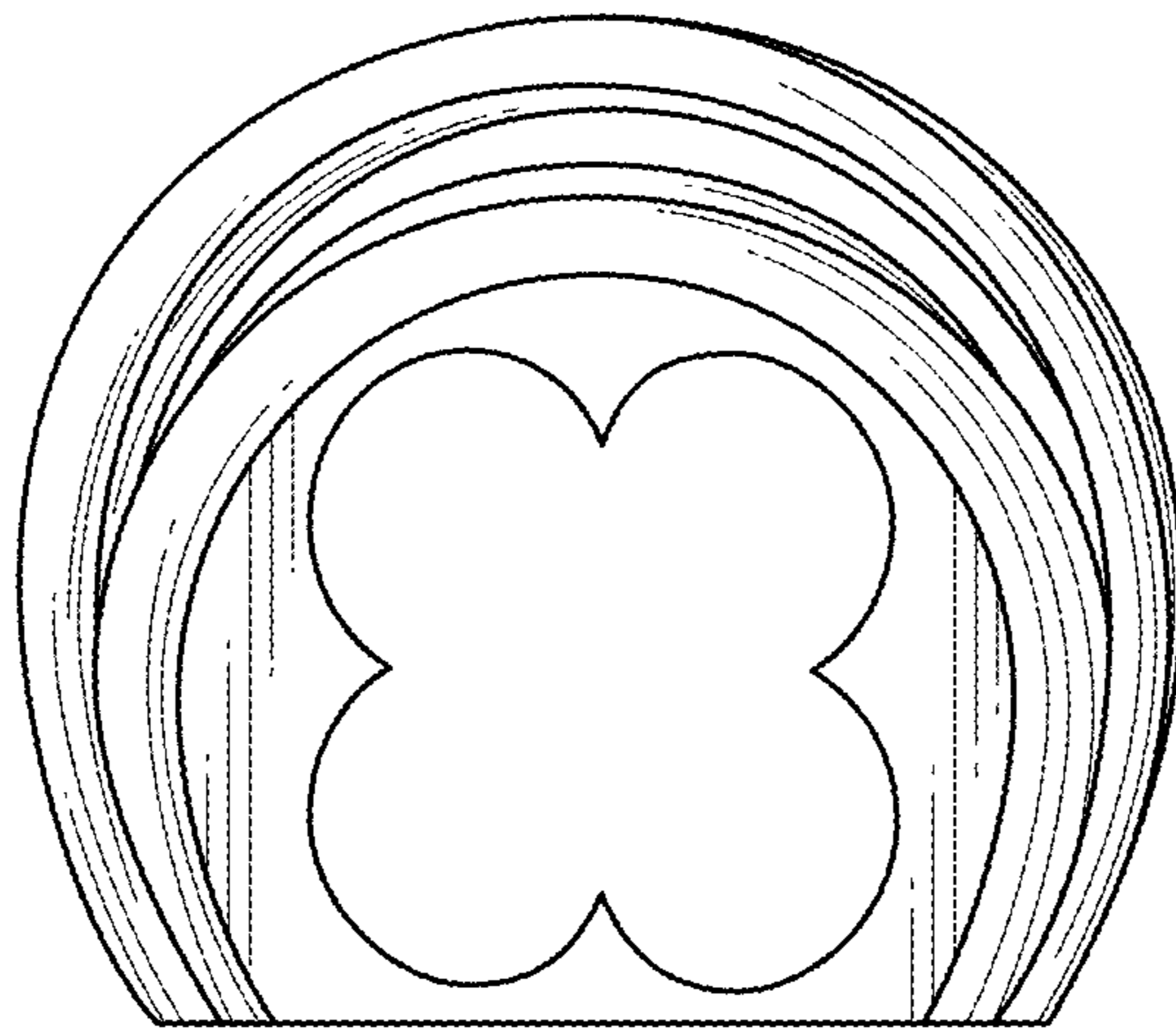


FIGURE 4

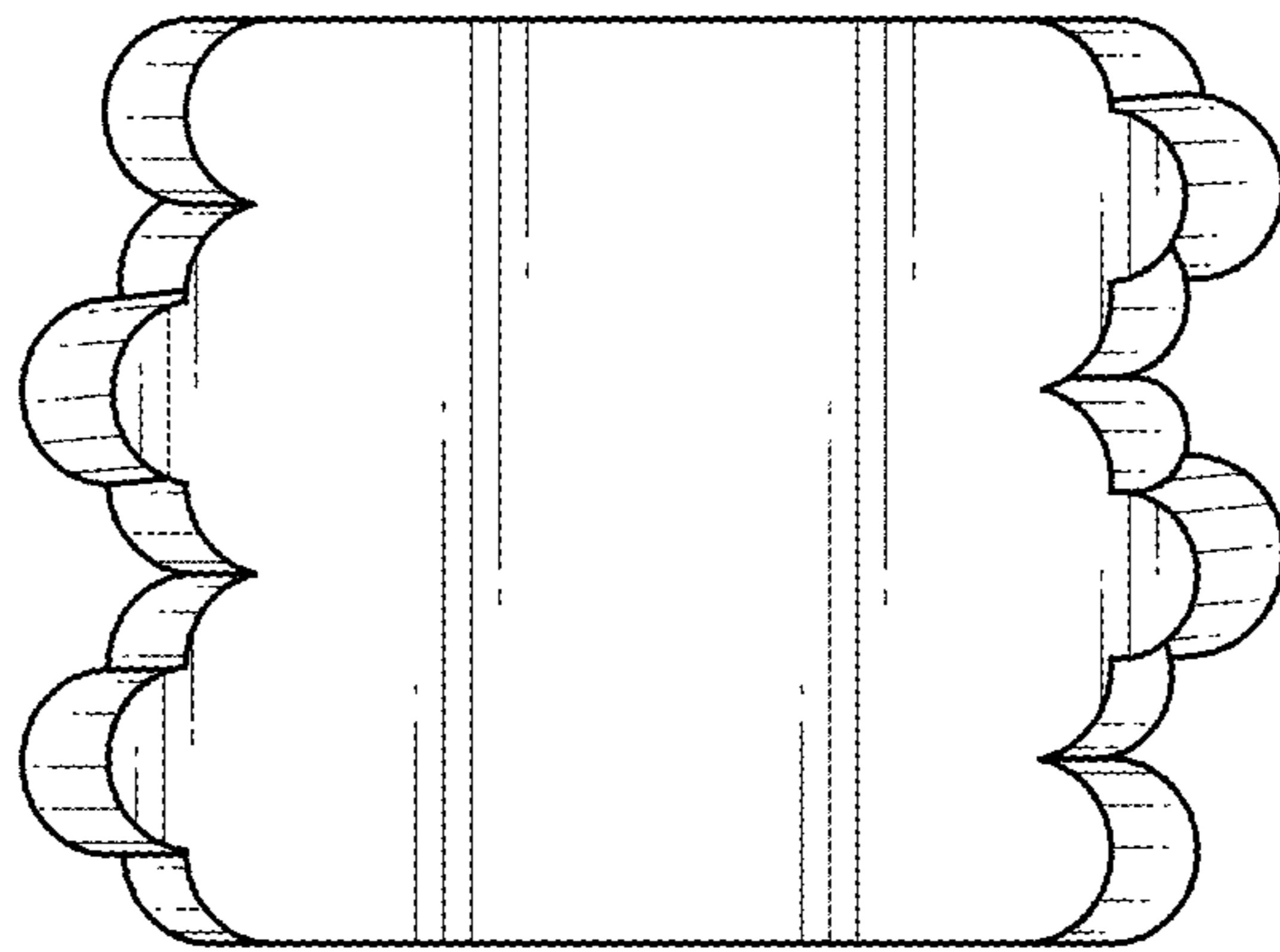


FIGURE 5