



US00D743830S

(12) **United States Design Patent**
Kuo

(10) **Patent No.:** **US D743,830 S**

(45) **Date of Patent:** **** Nov. 24, 2015**

(54) **WATCH CROWN COVER**

(71) Applicant: **Howard Kuo**, Atlanta, GA (US)

(72) Inventor: **Howard Kuo**, Atlanta, GA (US)

(**) Term: **14 Years**

(21) Appl. No.: **29/472,016**

(22) Filed: **Nov. 7, 2013**

(51) **LOC (10) Cl.** **10-07**

(52) **U.S. Cl.**
USPC **D10/128**

(58) **Field of Classification Search**
USPC D10/30-39, 1-29, 122-132
CPC G04B 37/00; G04B 37/02; G04B 37/10;
G04B 19/00; G04B 19/28; G04B 19/283;
G04B 19/286; G04B 3/046; G04B 3/048
See application file for complete search history.

(56) **References Cited**

U.S. PATENT DOCUMENTS

2,954,665	A *	10/1960	Panerai et al.	368/289
D435,459	S *	12/2000	Sakamaki	D10/30
6,200,019	B1 *	3/2001	Latini	368/289
6,210,034	B1 *	4/2001	Latini	368/289
D462,919	S *	9/2002	Strasser	D10/131
7,001,064	B2 *	2/2006	Finazzi	368/319
D563,802	S *	3/2008	Loth	D10/39
D585,768	S *	2/2009	Loth	D10/39

7,604,397	B2 *	10/2009	Cohen	368/288
D609,119	S *	2/2010	Clerc	D10/38
D609,583	S *	2/2010	Lalo	D10/32
D616,310	S *	5/2010	Loth	D10/32
8,092,077	B2 *	1/2012	Hobor	368/319
D680,883	S *	4/2013	Loth et al.	D10/32
D680,884	S *	4/2013	Bernard et al.	D10/32

* cited by examiner

Primary Examiner — Martie K Holtje

(74) *Attorney, Agent, or Firm* — Sean P. O'Hanlon, Esq., PLLC

(57) **CLAIM**

The ornamental design for a watch crown cover, as shown and described.

DESCRIPTION

FIG. 1 is a front elevation view of a watch crown cover showing my new design.

FIG. 2 is a front elevation view with the watch crown cover in an open position.

FIG. 3 is a right side elevation view of FIG. 1.

FIG. 4 is a right side elevation view of FIG. 2.

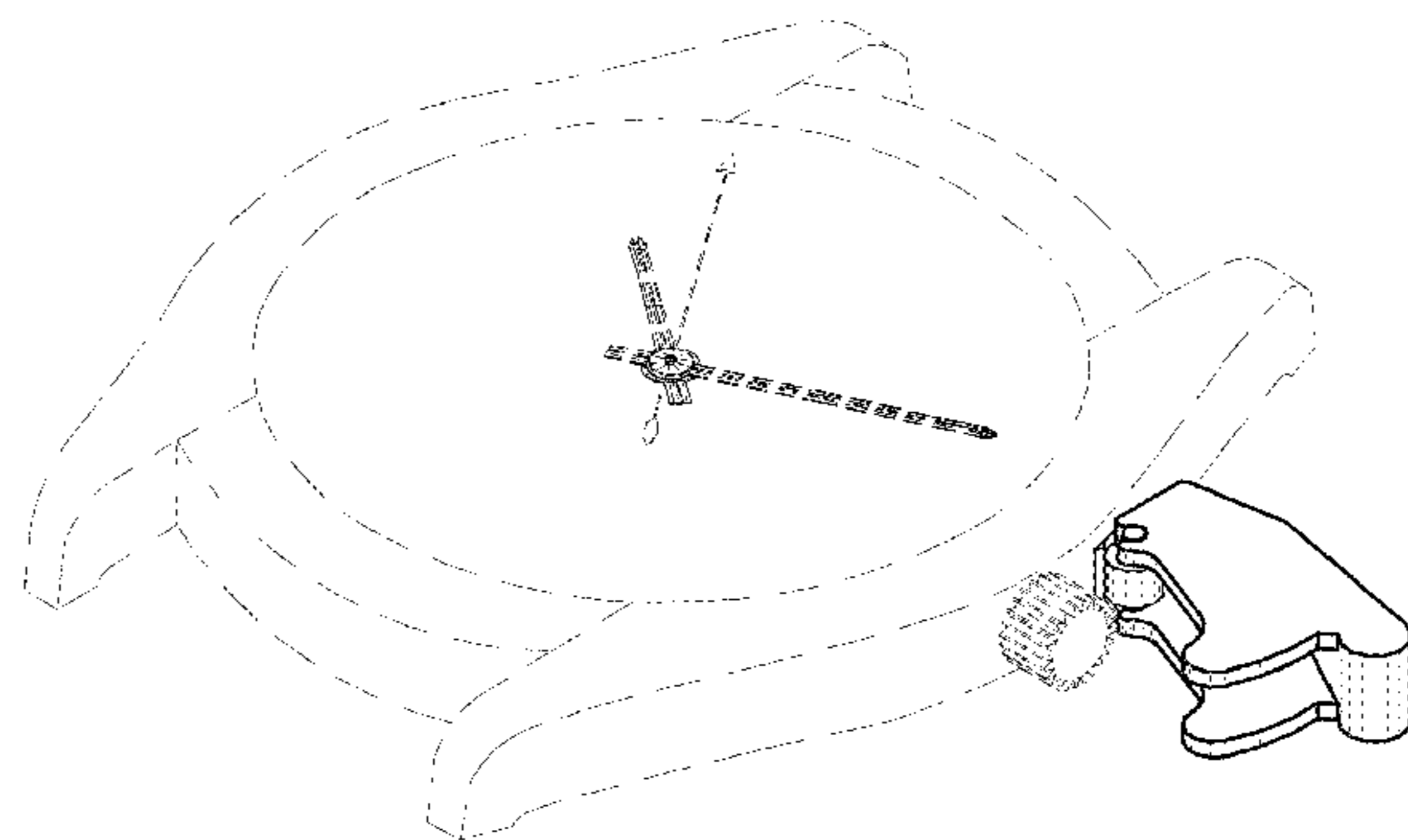
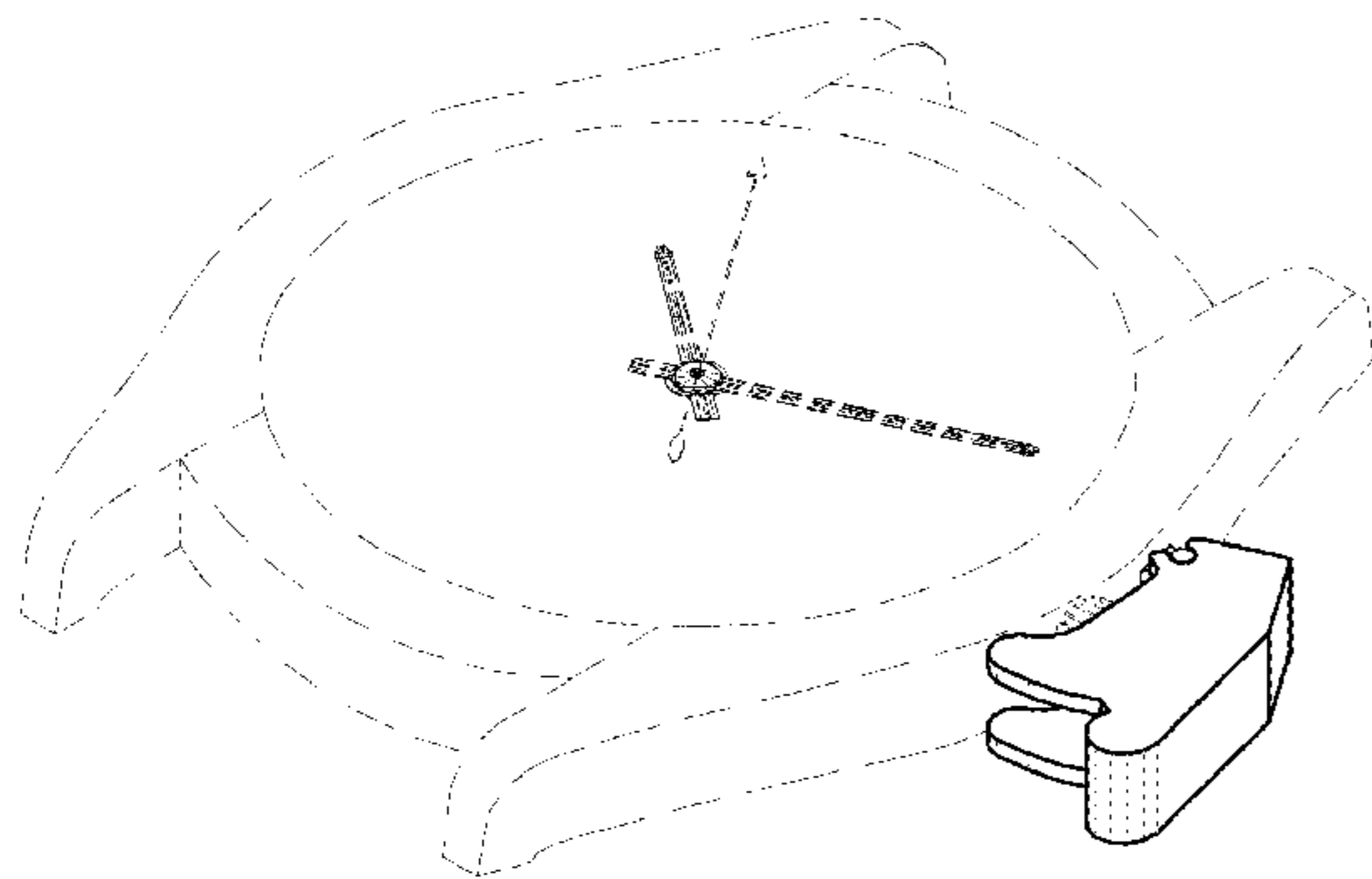
FIG. 5 is a bottom front perspective view of the watch crown cover.

FIG. 6 is a perspective view of FIG. 1; and,

FIG. 7 is a perspective view of FIG. 2.

The watch depicted by broken lines in FIGS. 1 through 4, 6, and 7 has been shown to illustrate environment that forms no part of the claimed design.

1 Claim, 7 Drawing Sheets



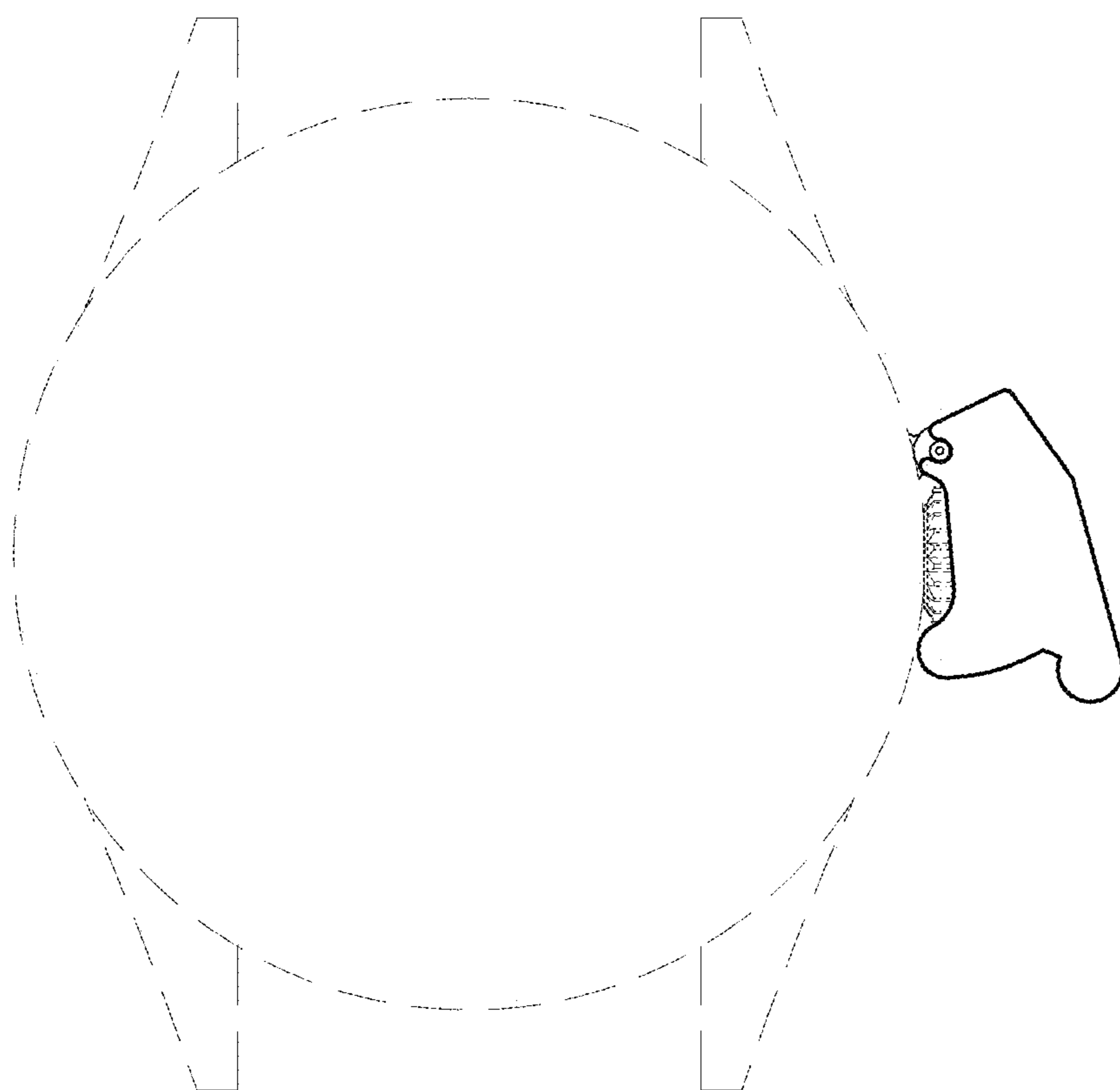


FIG. 1

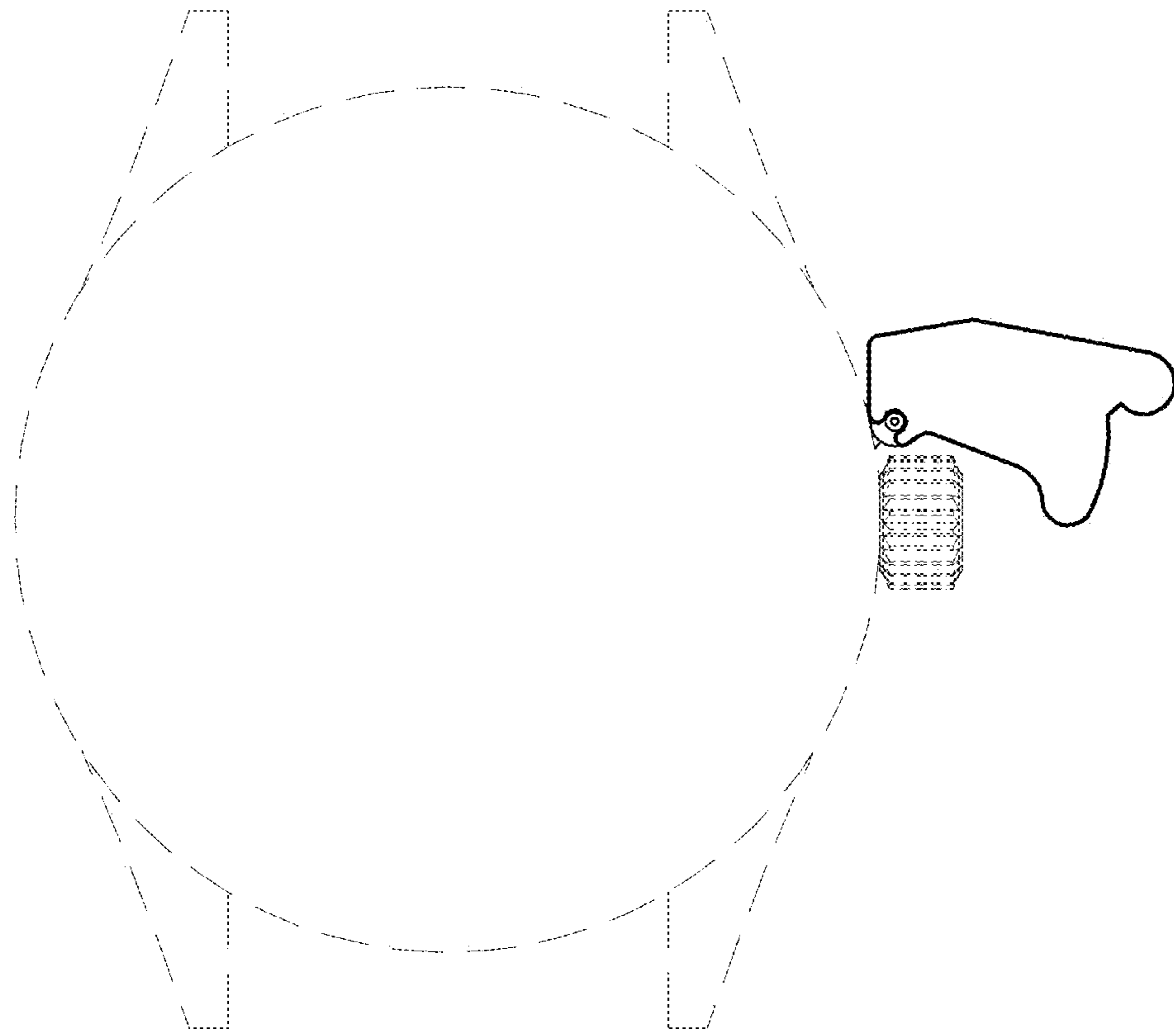


FIG. 2

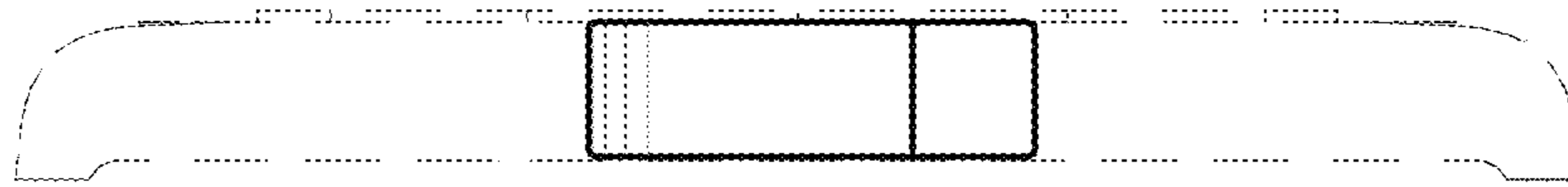


FIG. 3

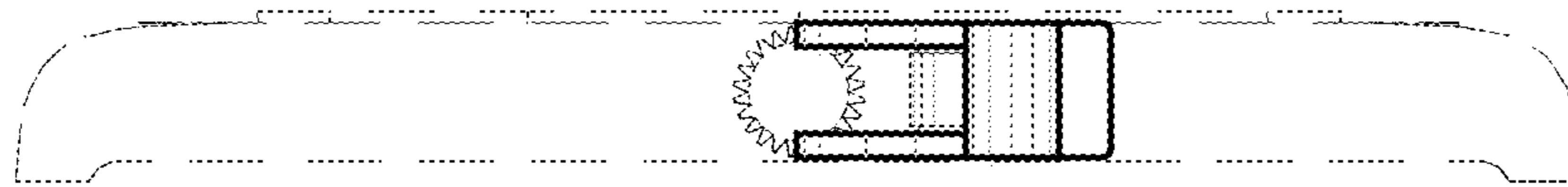


FIG. 4

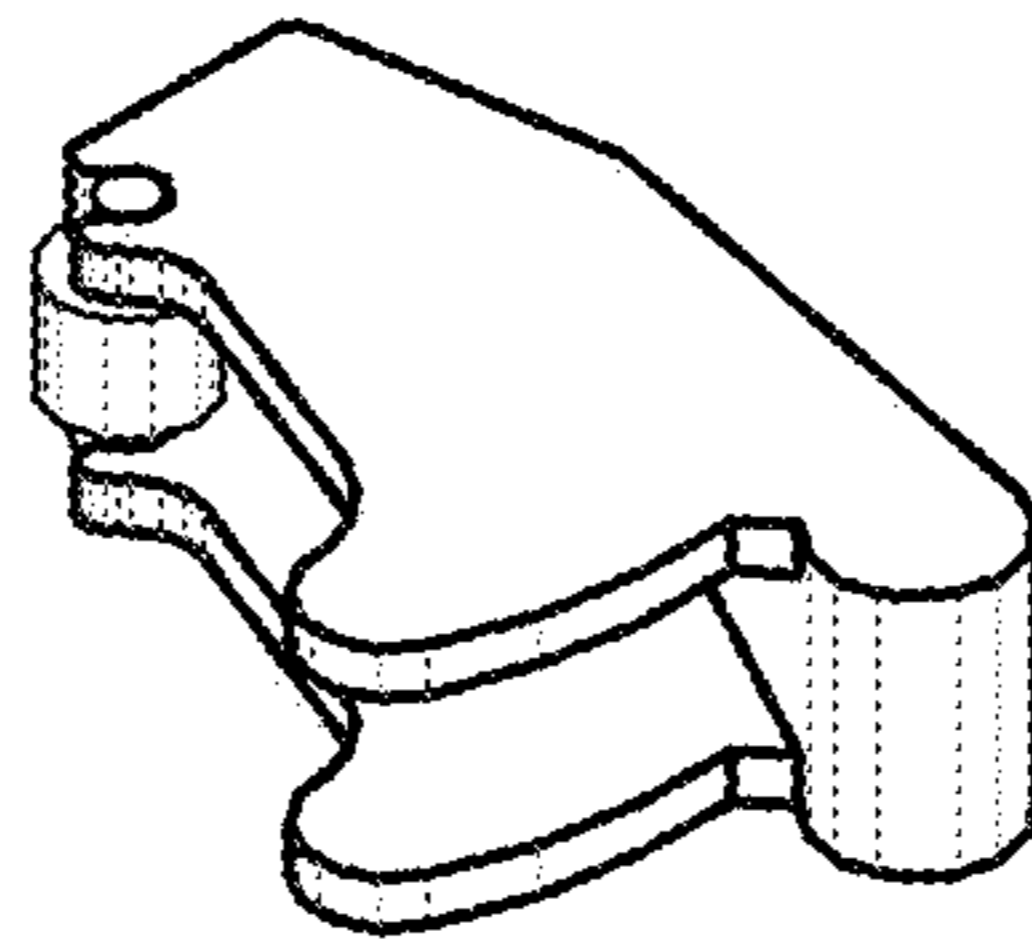


FIG. 5

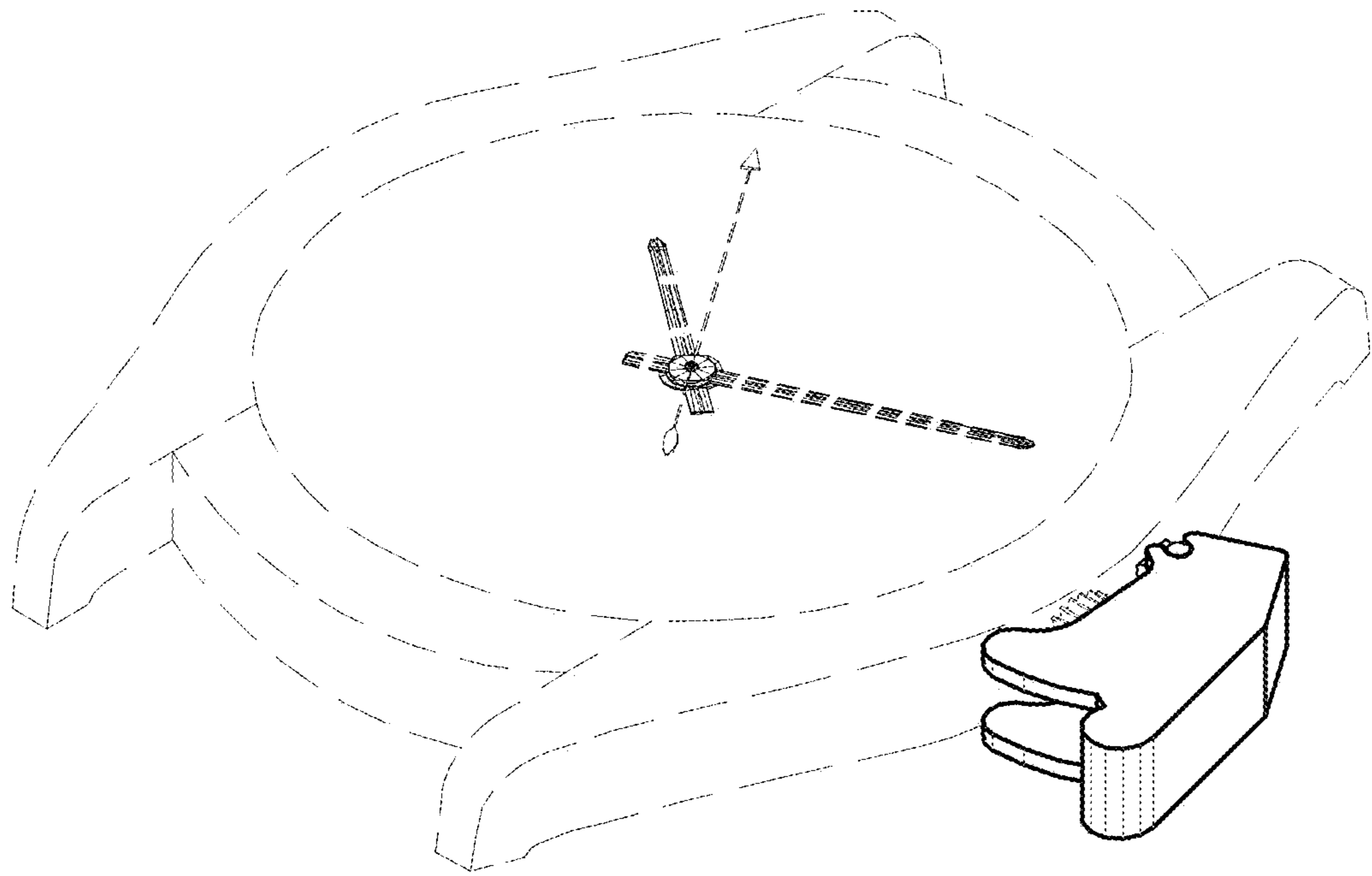


FIG. 6

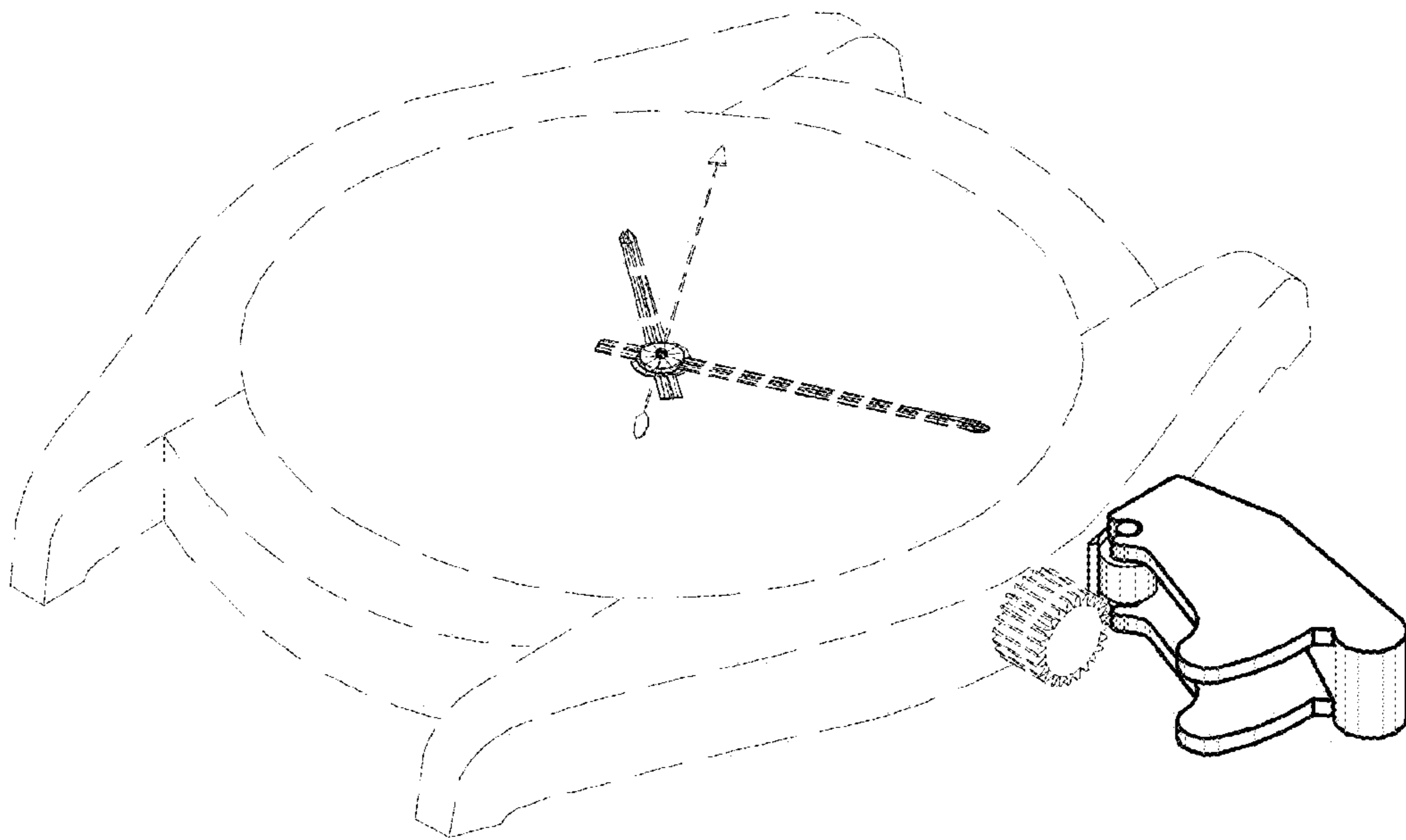


FIG. 7