



US00D743828S

(12) **United States Design Patent**
Choisnes

(10) **Patent No.:** **US D743,828 S**

(45) **Date of Patent:** **** Nov. 24, 2015**

(54) **WRIST WATCH**

(56) **References Cited**

(71) Applicant: **Luxury Timepieces International SA,**
Cortailod (CH)

(72) Inventor: **Claire Choisnes,** Paris (FR)

(73) Assignee: **Luxury Timepieces International SA,**
Cortailod (CH)

(**) Term: **14 Years**

(21) Appl. No.: **29/453,521**

(22) Filed: **Apr. 30, 2013**

(30) **Foreign Application Priority Data**

Nov. 1, 2012 (WO) DM/079 434

(51) **LOC (10) Cl.** **10-07**

(52) **U.S. Cl.**
USPC **D10/124; D10/39; D10/126**

(58) **Field of Classification Search**
USPC D10/30-39, 122-132, 1-29; 368/276,
368/281, 282, 294, 295, 223, 228, 232
CPC G04B 37/0008; G04B 19/08; G04B 19/18;
G04B 19/283; G04B 19/286; G04B 45/02;
G04B 19/00; G04B 19/04; G04B 19/042;
G04B 19/06; G04B 19/12; G04G 9/0088;
G04G 9/0094

See application file for complete search history.

U.S. PATENT DOCUMENTS

D186,180	S	*	9/1959	Diamond	D10/39
3,431,722	A	*	3/1969	Haas	235/61 R
D459,241	S	*	6/2002	Bodino	D10/32
D473,473	S	*	4/2003	Wunderman	D10/32
D484,423	S	*	12/2003	Takahashi	D10/32
D555,520	S	*	11/2007	Strasser	D10/39
D577,610	S	*	9/2008	Emch Ducommun	D10/32
D590,275	S	*	4/2009	Monachon	D10/32
D634,652	S	*	3/2011	Jorst et al.	D10/39
D656,415	S	*	3/2012	Binda	D10/39
D680,883	S	*	4/2013	Loth et al.	D10/32
D705,668	S	*	5/2014	Loth et al.	D10/32
D712,754	S	*	9/2014	Loth	D10/32

* cited by examiner

Primary Examiner — Martie K Holtje

(74) *Attorney, Agent, or Firm* — Sughrue Mion, PLLC

(57) **CLAIM**

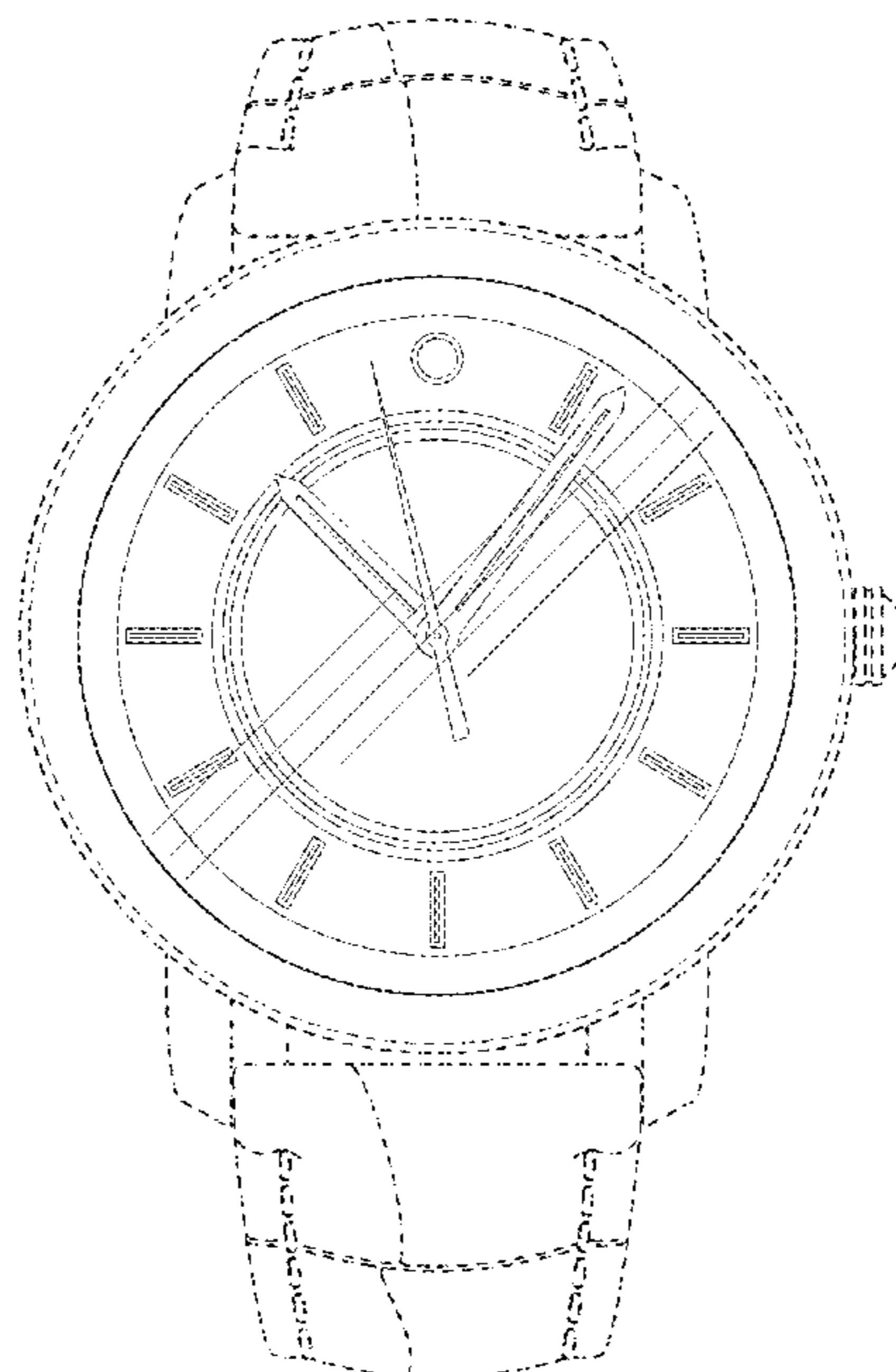
The ornamental design for a wrist watch, as shown and described.

DESCRIPTION

FIG. 1 is a front and right side perspective view of a wrist watch showing my new design;
FIG. 2 is a front elevational view thereof;
FIG. 3 is a left side elevational view thereof;
FIG. 4 is a right side elevational view thereof;
FIG. 5 is a top plan view thereof; and,
FIG. 6 is a bottom plan view.

The structural features depicted by broken lines in the drawings have been shown for the purpose of illustrating portions of the wrist watch that form no part of the claimed design.

1 Claim, 6 Drawing Sheets



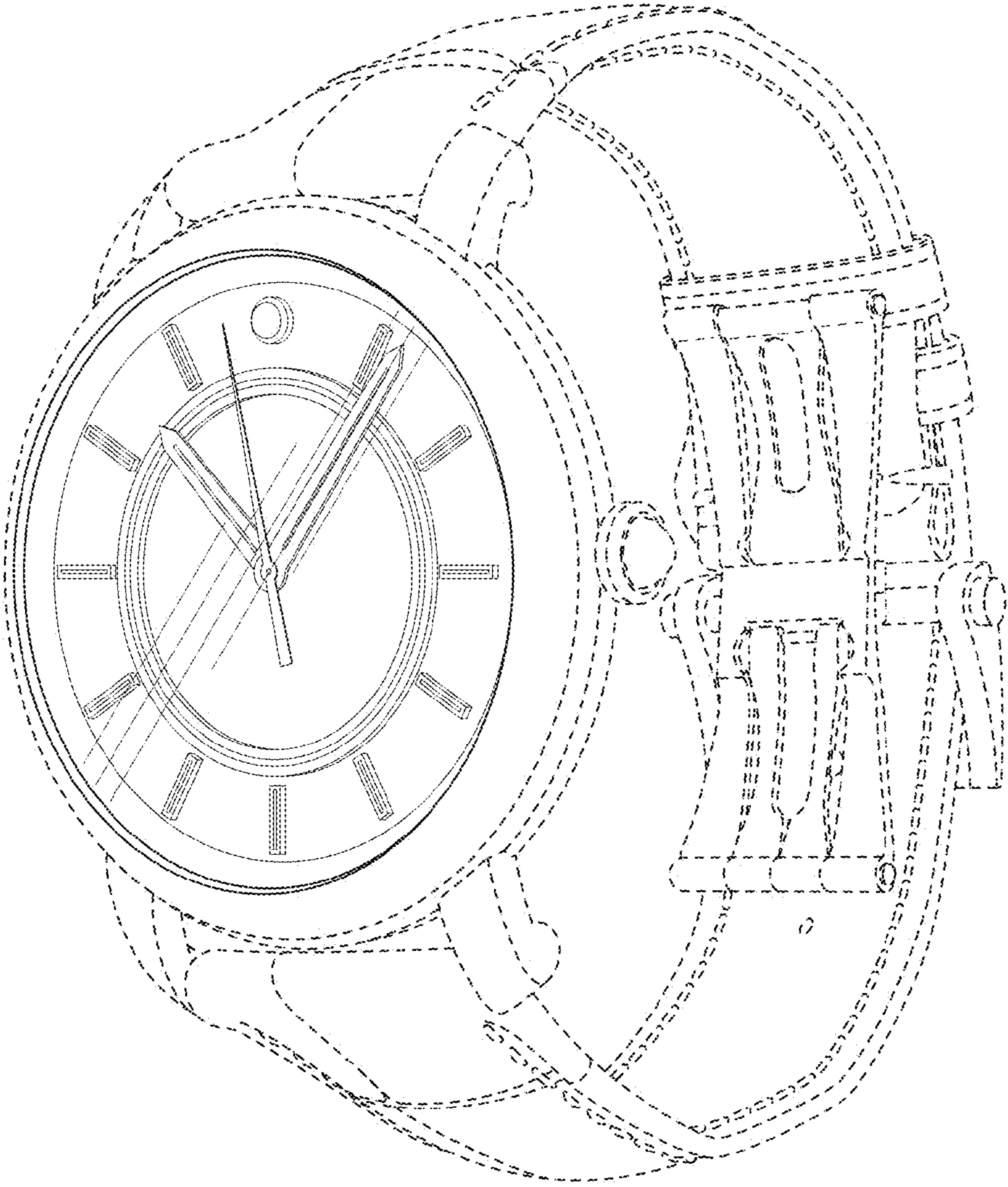


FIG. 1

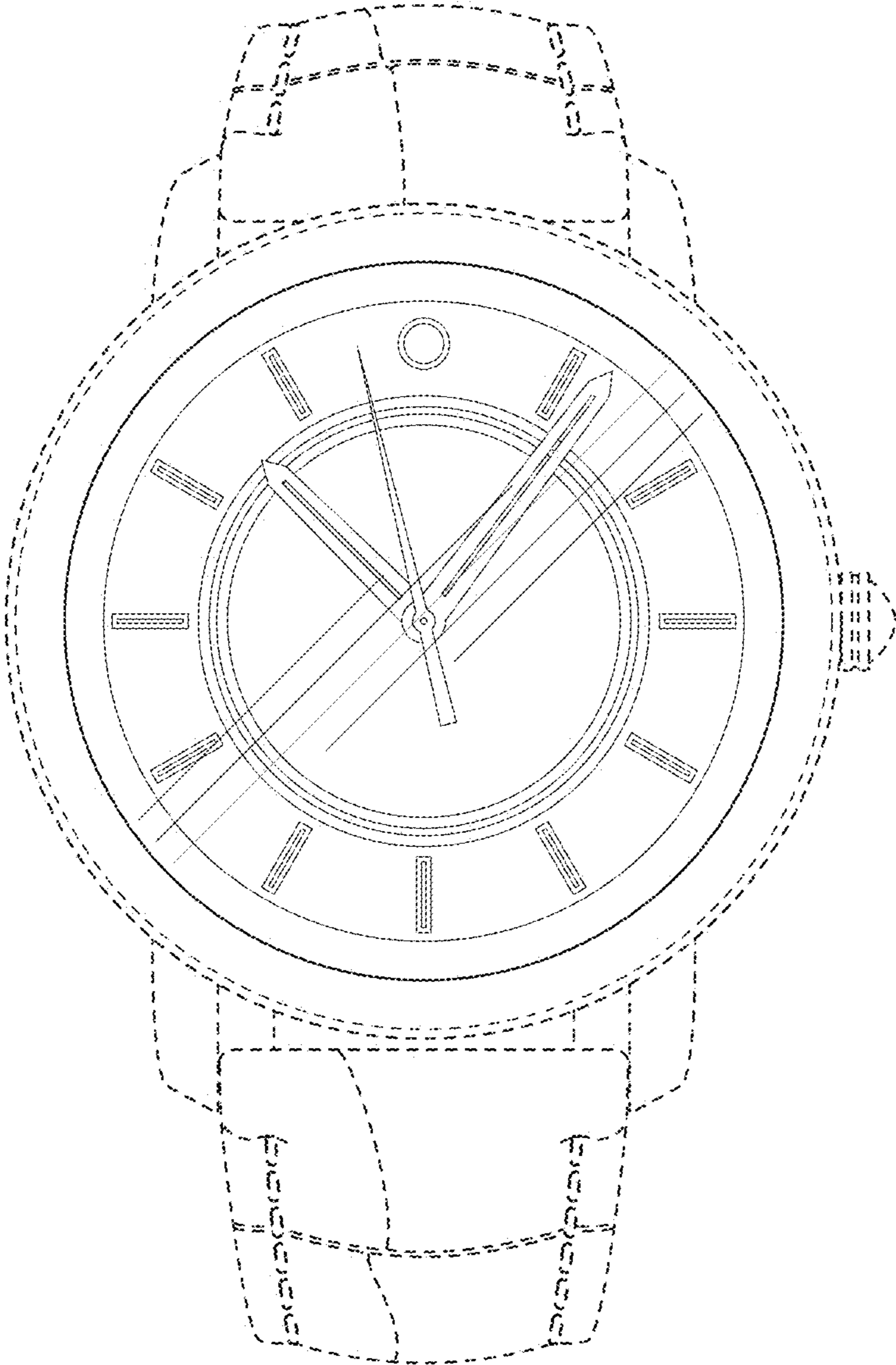


FIG. 2

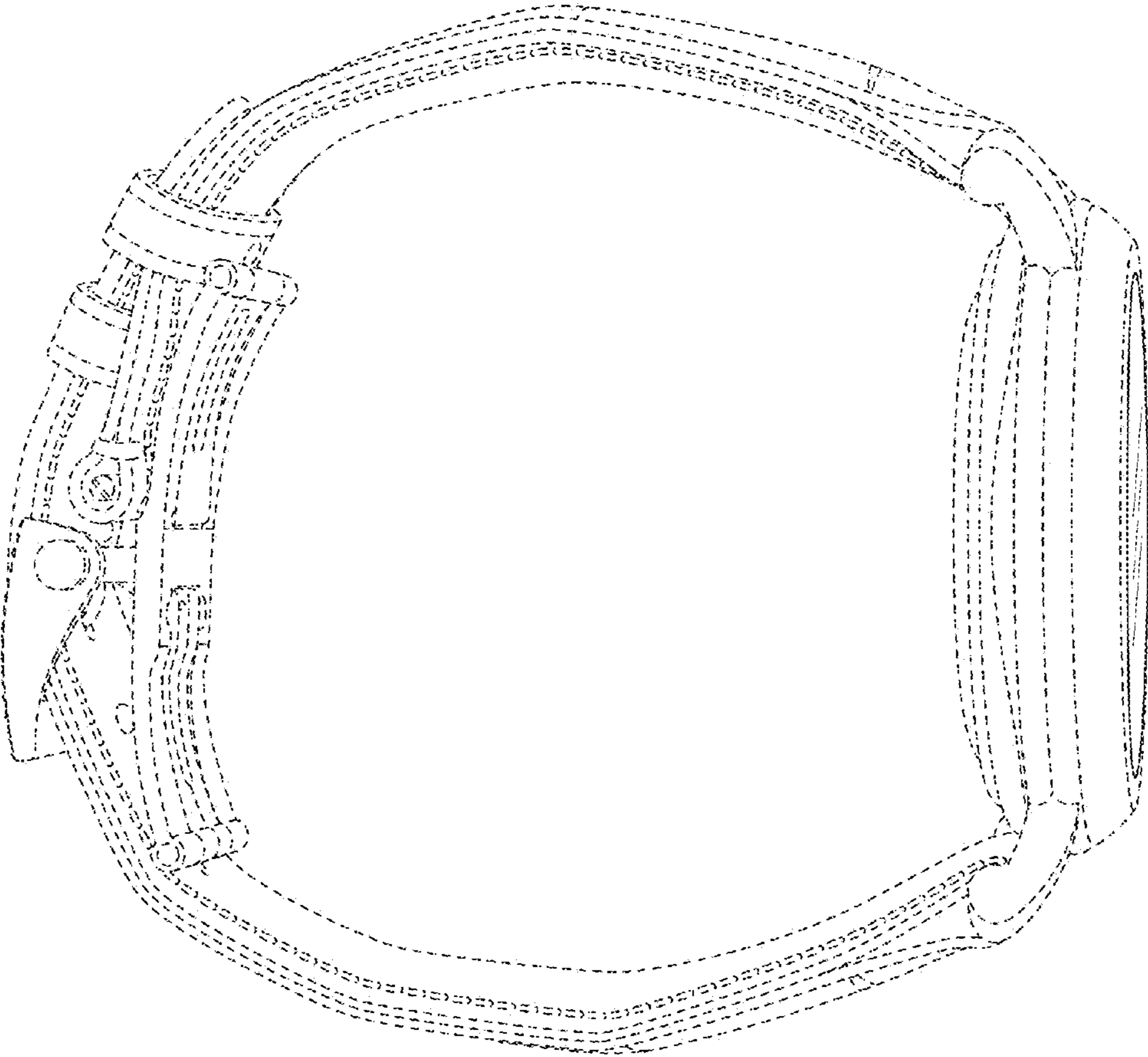


FIG. 3

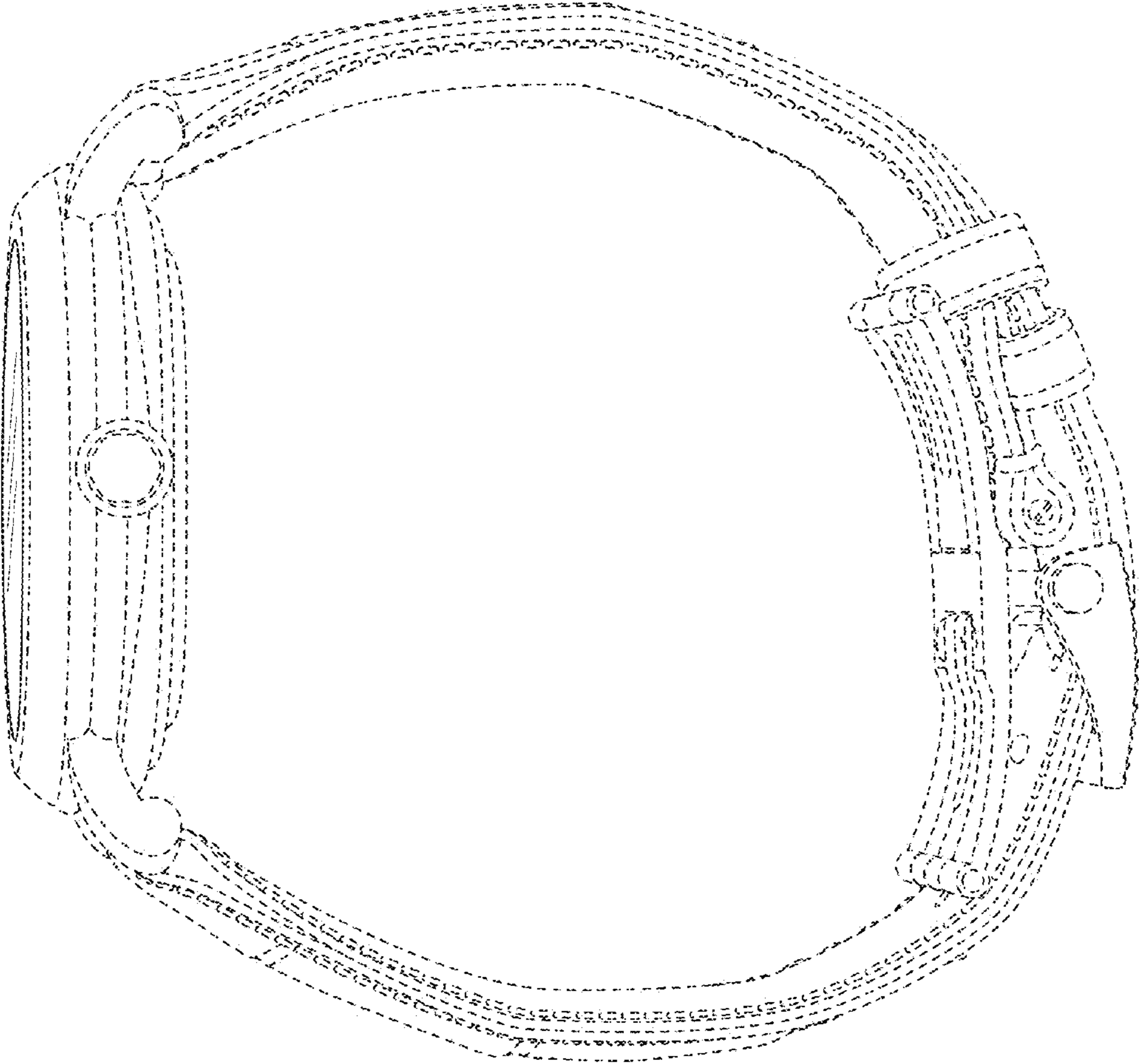


FIG. 4

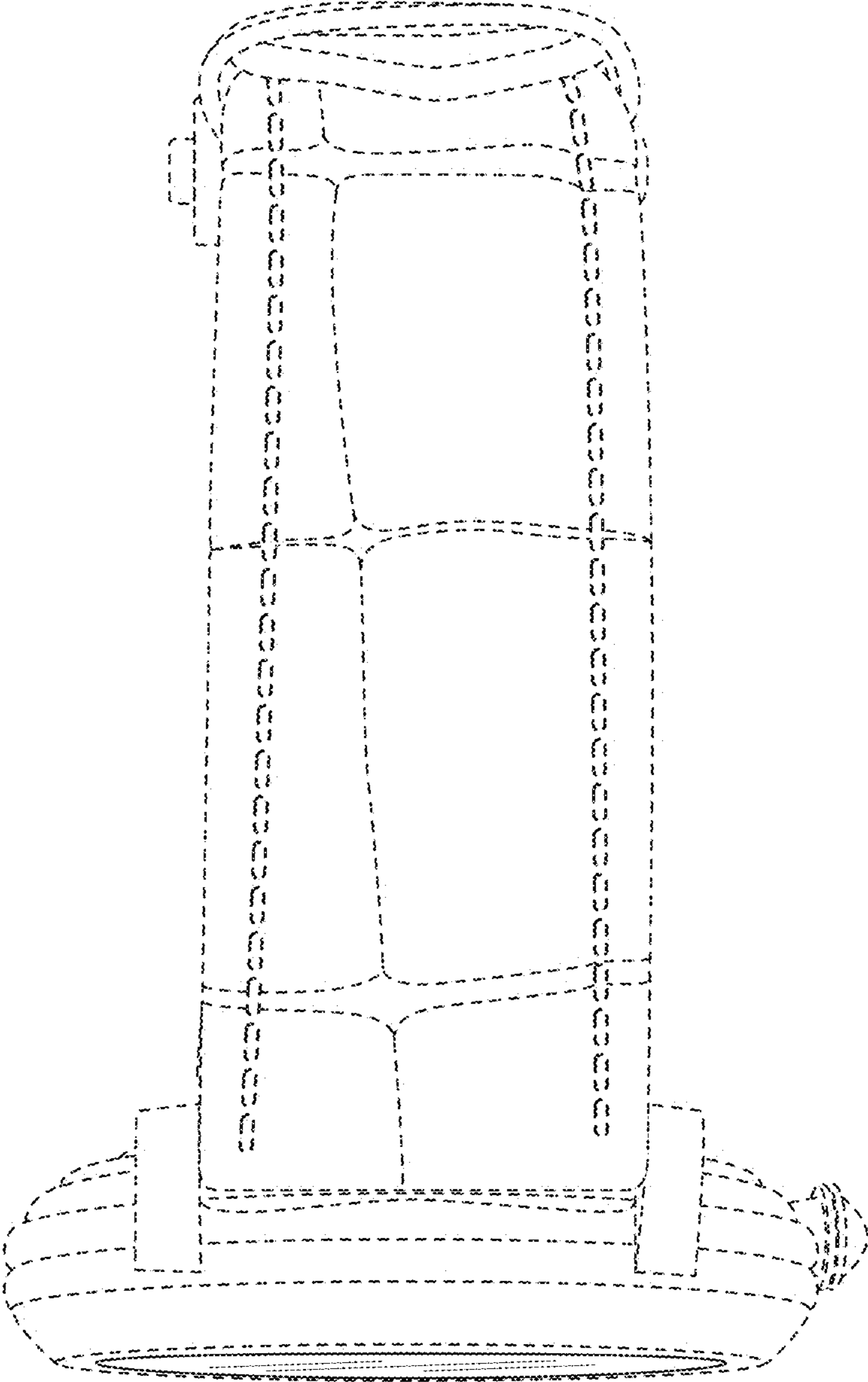


FIG. 5

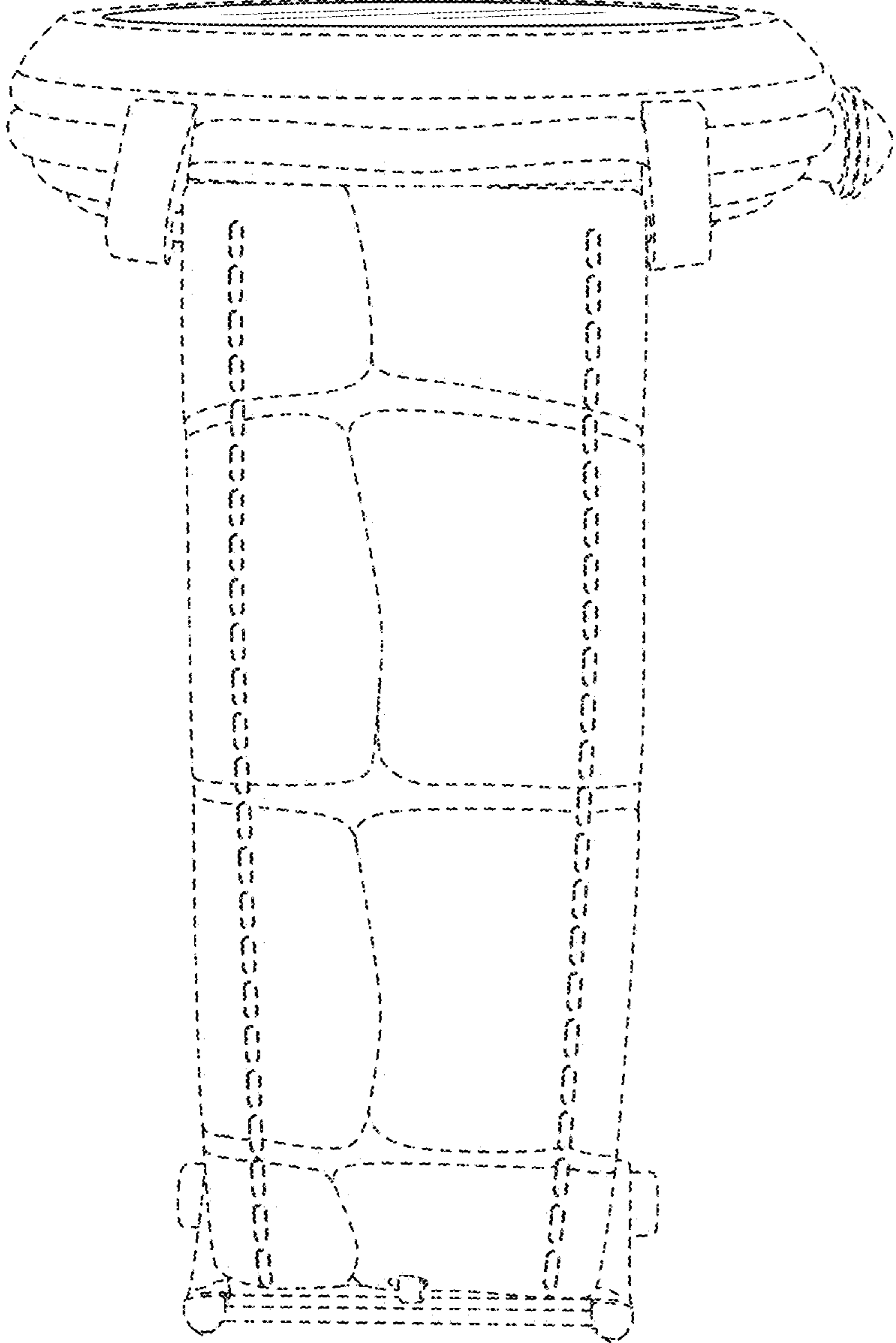


FIG. 6