



US00D743825S

(12) **United States Design Patent**
Sankey et al.

(10) **Patent No.:** **US D743,825 S**

(45) **Date of Patent:** **** Nov. 24, 2015**

(54) **ALARM UNIT ASSEMBLY, ALARM UNIT,
AND CONNECTOR**

D702,576 S * 4/2014 McKinney D10/106.1
D712,292 S * 9/2014 Yang D10/106.1
2014/0340225 A1* 11/2014 Grant G08B 13/1445
340/568.2

(71) Applicant: **InVue Security Products Inc.,**
Charlotte, NC (US)

OTHER PUBLICATIONS

(72) Inventors: **James K. Sankey**, Charlotte, NC (US);
Kirk Burmeister, II, Charlotte, NC (US)

MULTPLX J-Plug Brochure, 2012 (available at http://security.multiplex.com/pdf/Multiplex_J-Plugs_Brochure_2012_EF.pdf).
Series 950 Bigger Performance, Smaller Presence., 2013.
Design U.S. Appl. No. 29/457,657, filed Jun. 12, 2013.
Design U.S. Appl. No. 29/460,867, filed Jul. 16, 2013.

(73) Assignee: **InVue Security Products Inc.,**
Charlotte, NC (US)

(**) Term: **14 Years**

* cited by examiner

(21) Appl. No.: **29/481,468**

Primary Examiner — George D Kirschbaum

(22) Filed: **Feb. 6, 2014**

(74) *Attorney, Agent, or Firm* — InVue Security Products Inc.

(51) **LOC (10) Cl.** **10-05**

(52) **U.S. Cl.**
USPC **D10/106.1**

(57) **CLAIM**

We claim the ornamental design for an alarm unit assembly, alarm unit, and connector, as shown and described.

(58) **Field of Classification Search**
USPC D10/106.1–106.5, 104.1, 106.9
See application file for complete search history.

DESCRIPTION

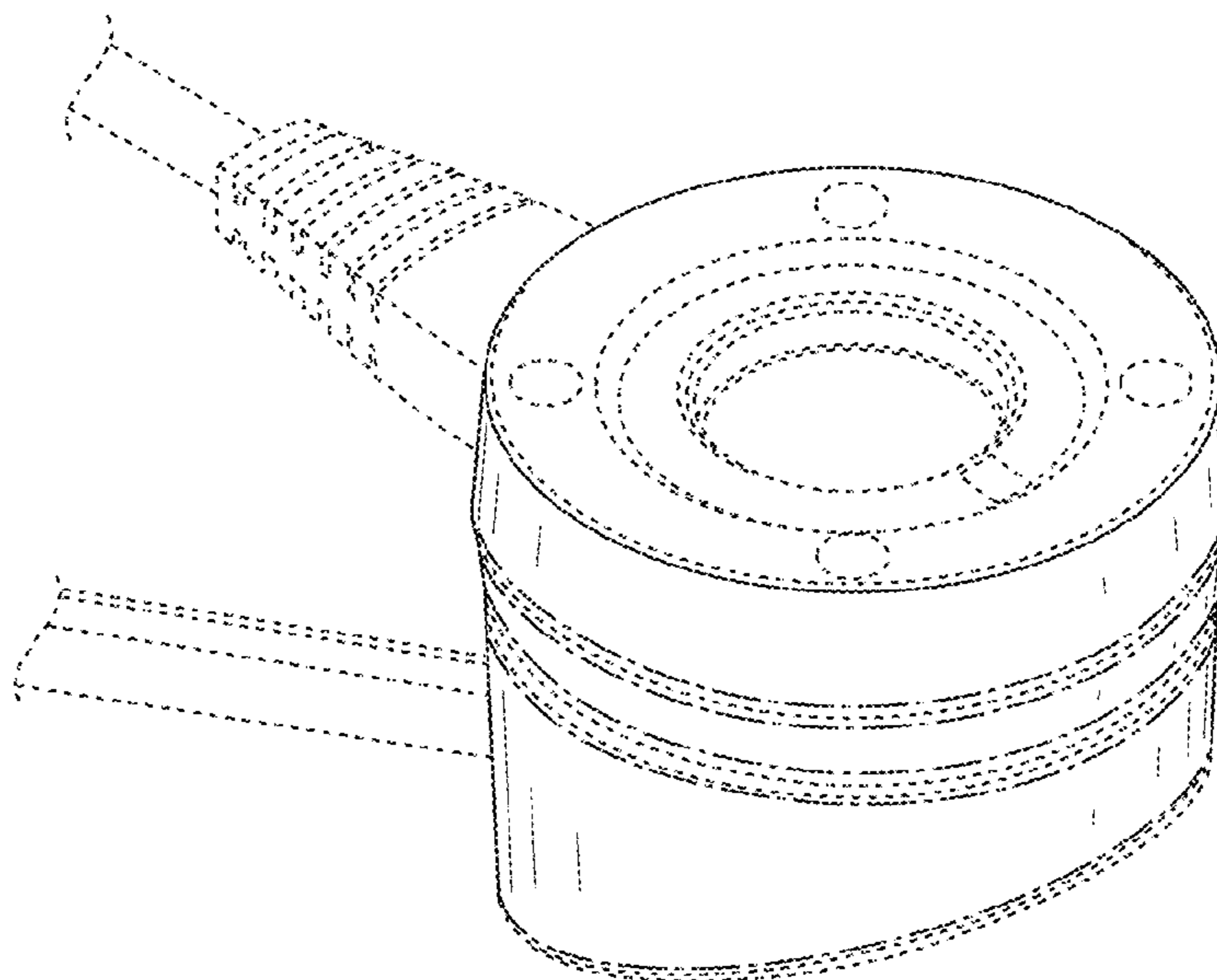
(56) **References Cited**

U.S. PATENT DOCUMENTS

D226,508 S	3/1973	Gilson	
D253,753 S	12/1979	Poesl	
D308,646 S	6/1990	Grilk	
5,281,878 A	1/1994	Schaeffer	
D369,566 S	5/1996	Poon	
5,915,580 A	6/1999	Melk	
D511,985 S *	11/2005	Kelly, Jr.	D10/106.1
D682,131 S	5/2013	Bhate et al.	
D699,612 S *	2/2014	Bertinetti	D10/106.1

FIG. 1 is a perspective view of an alarm unit assembly showing our design;
FIG. 2 is a left side view thereof;
FIG. 3 is a front view thereof;
FIG. 4 is right side view thereof;
FIG. 5 is top view thereof;
FIG. 6 is a rear view thereof; and,
FIG. 7 is a bottom view thereof.
The broken lines depict unclaimed environmental subject matter. The broken lines form no part of the claimed design.

1 Claim, 7 Drawing Sheets



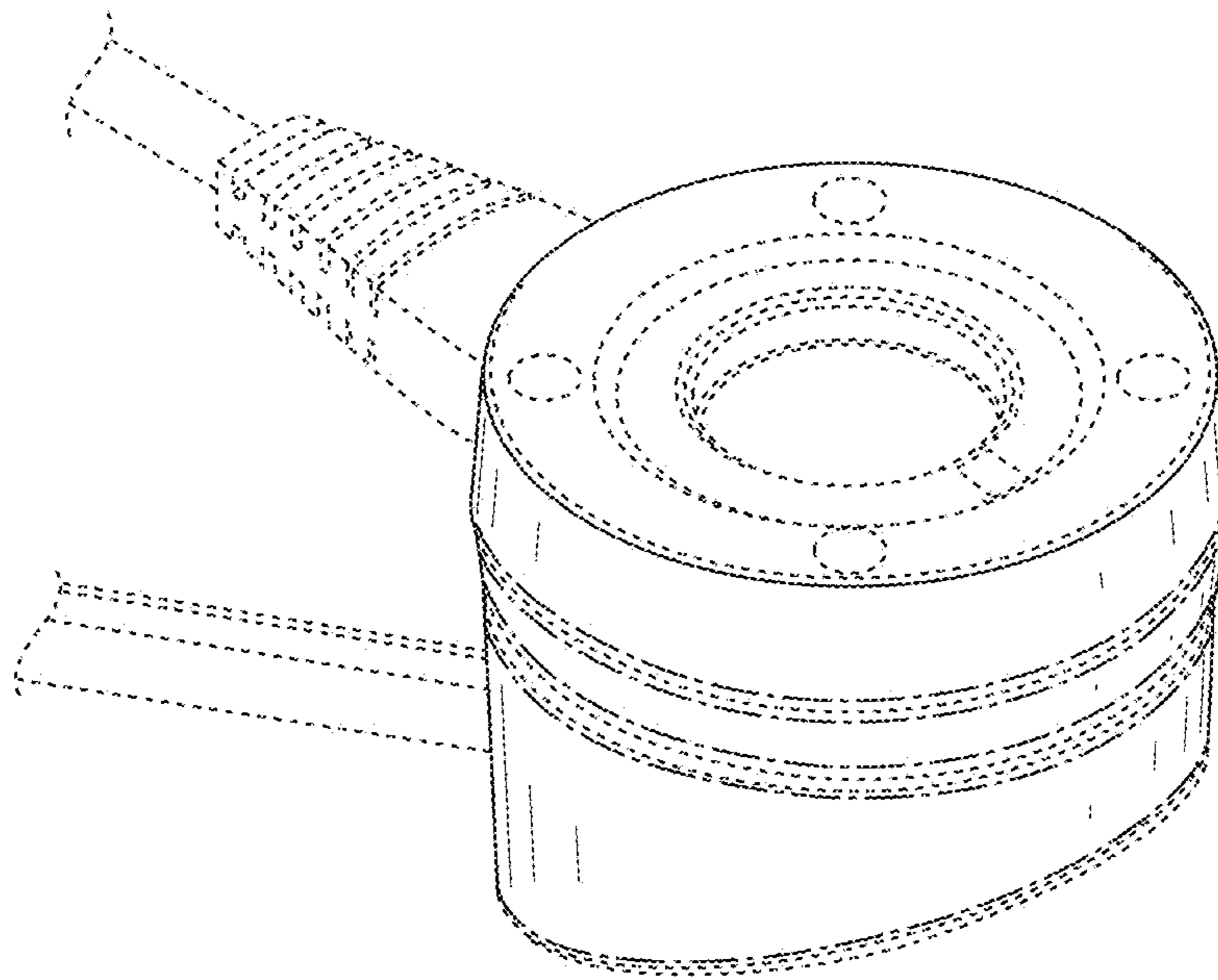


FIG. 1

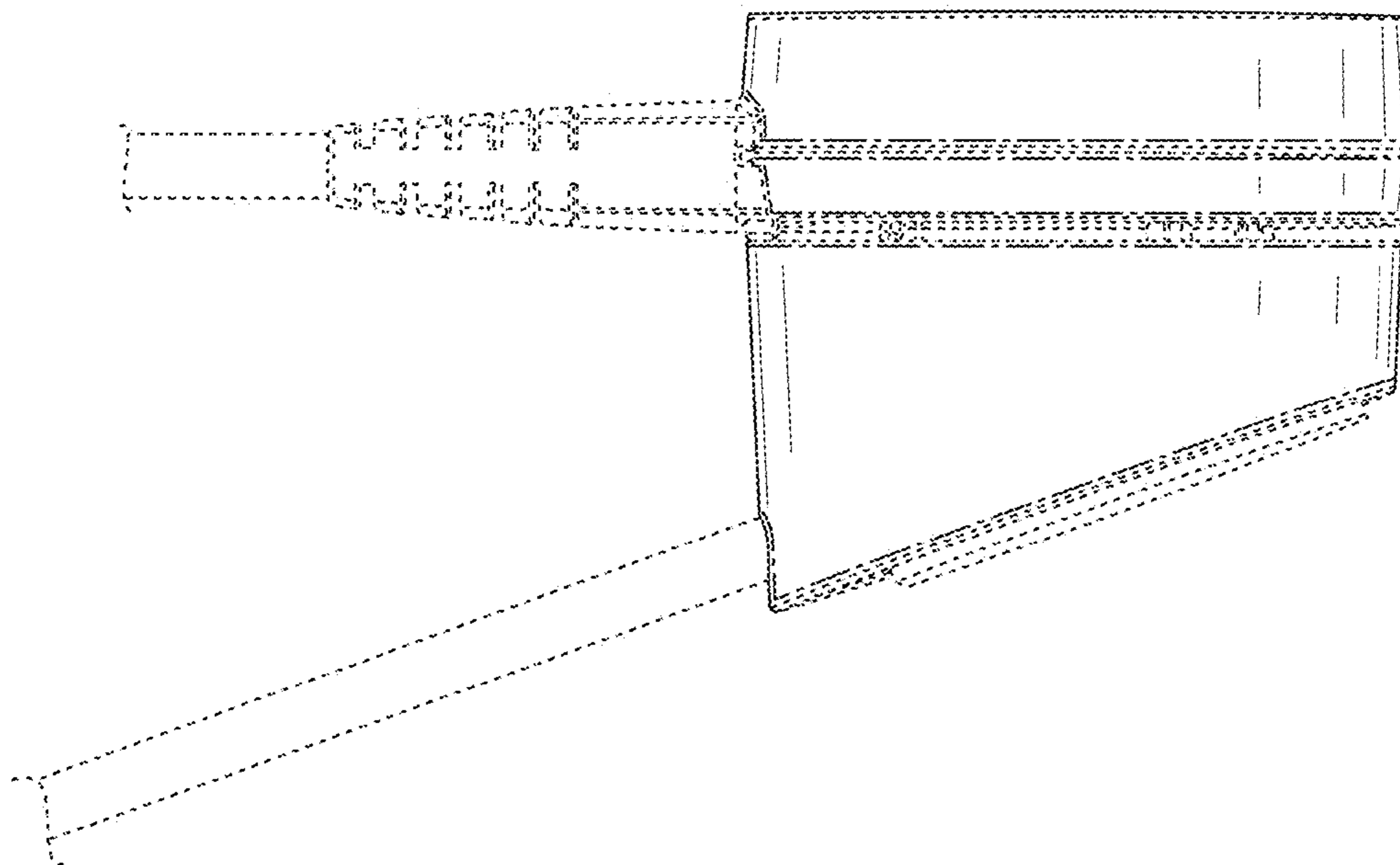


FIG. 2

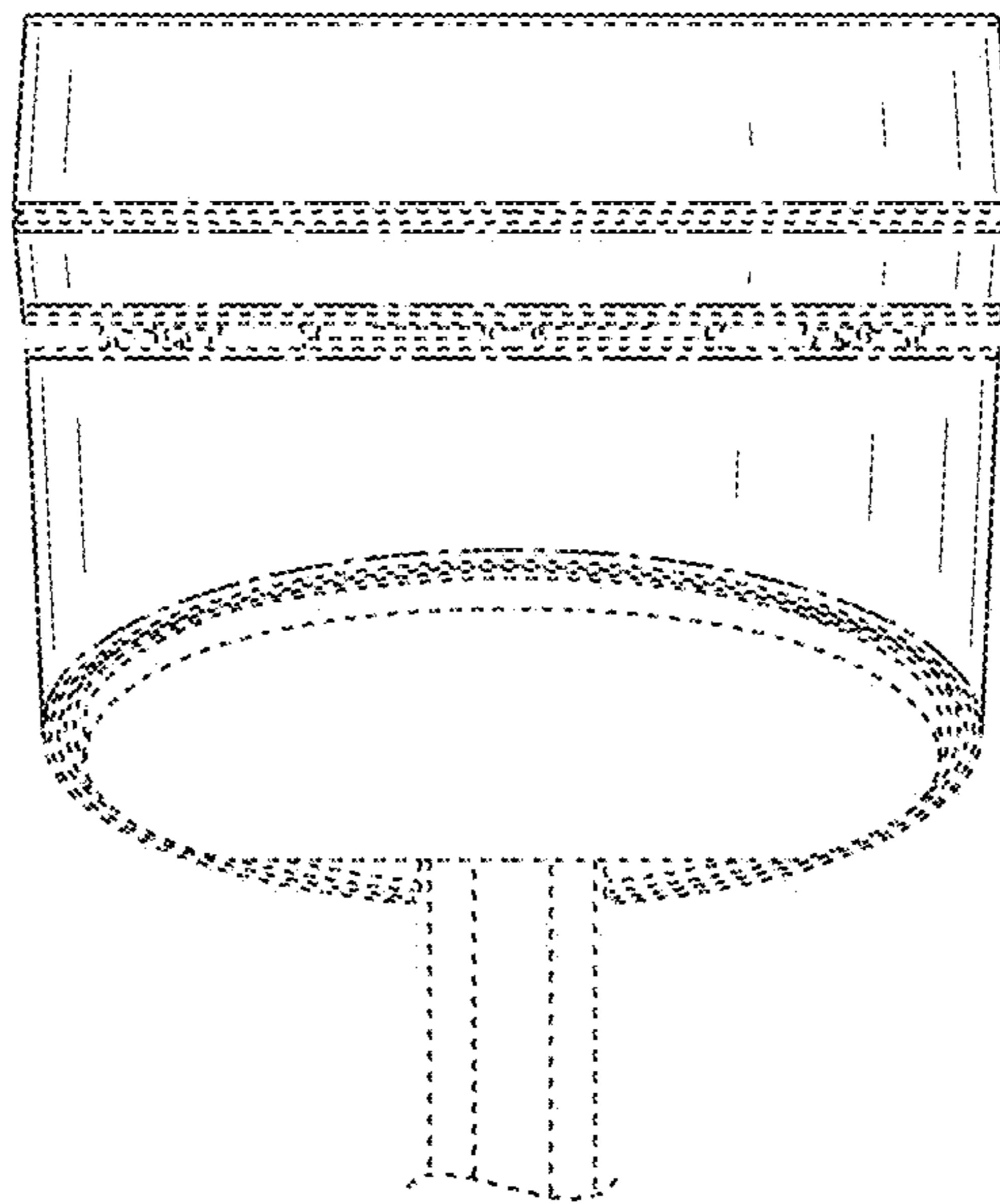


FIG. 3

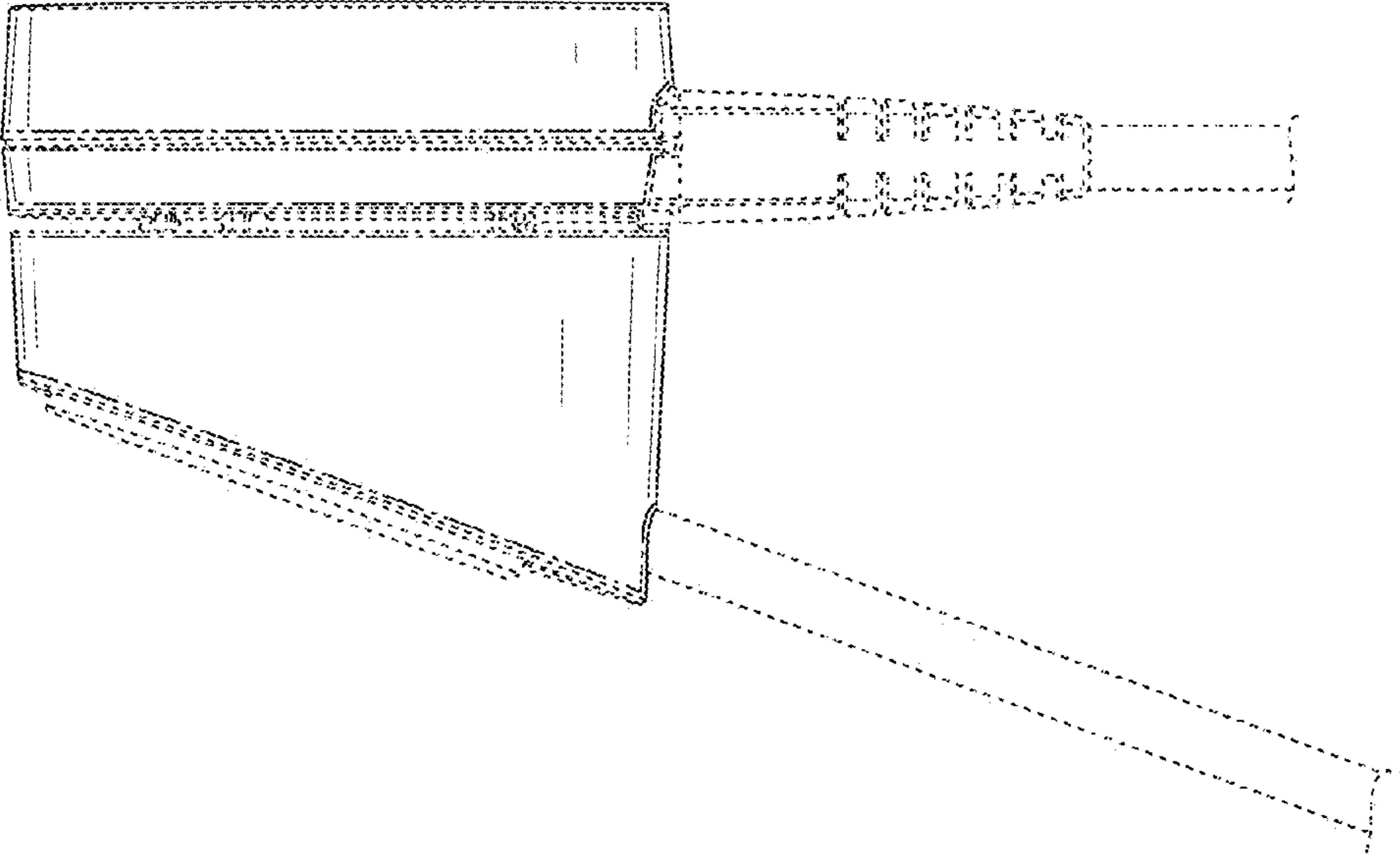


FIG. 4

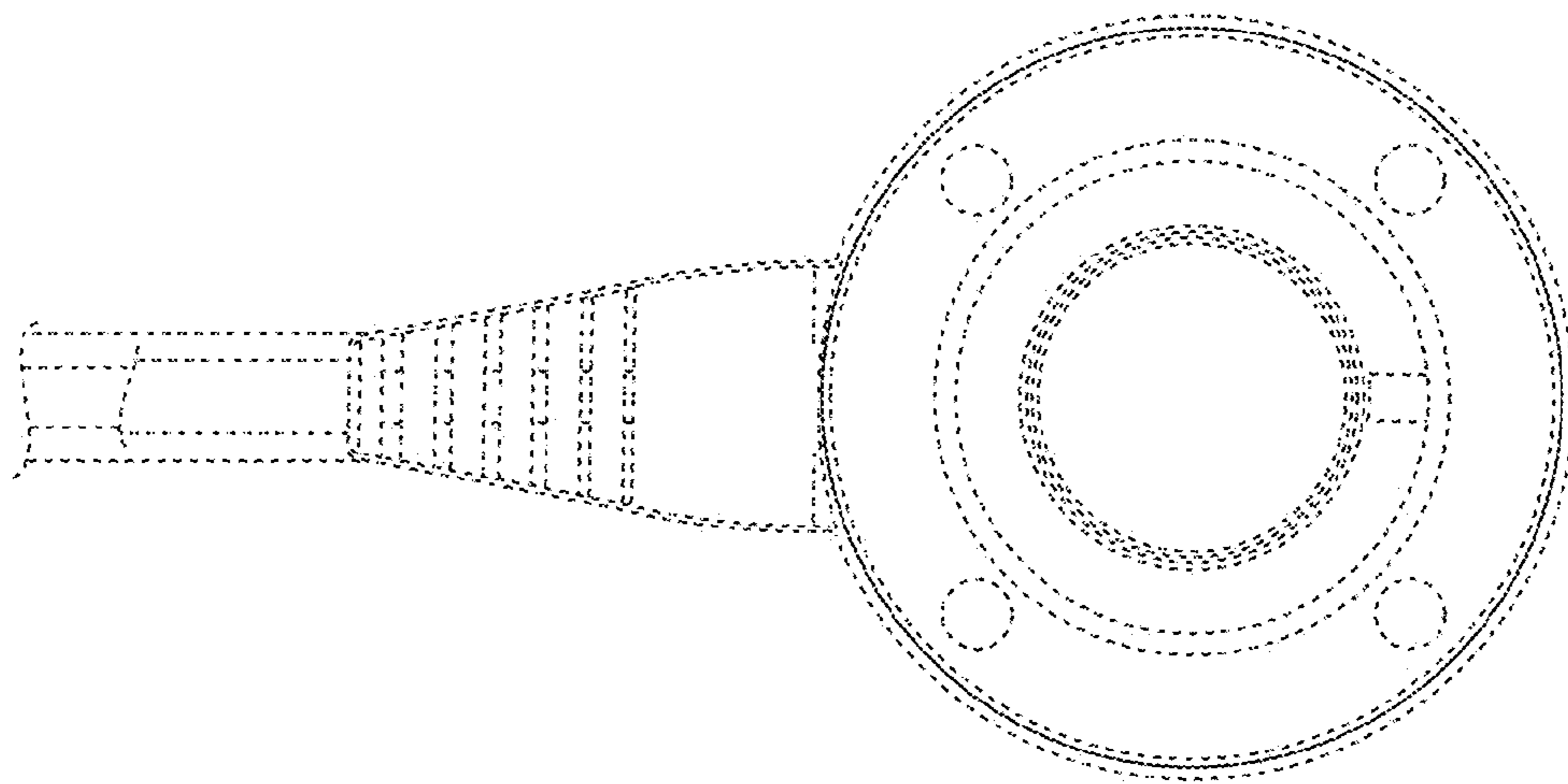


FIG. 5

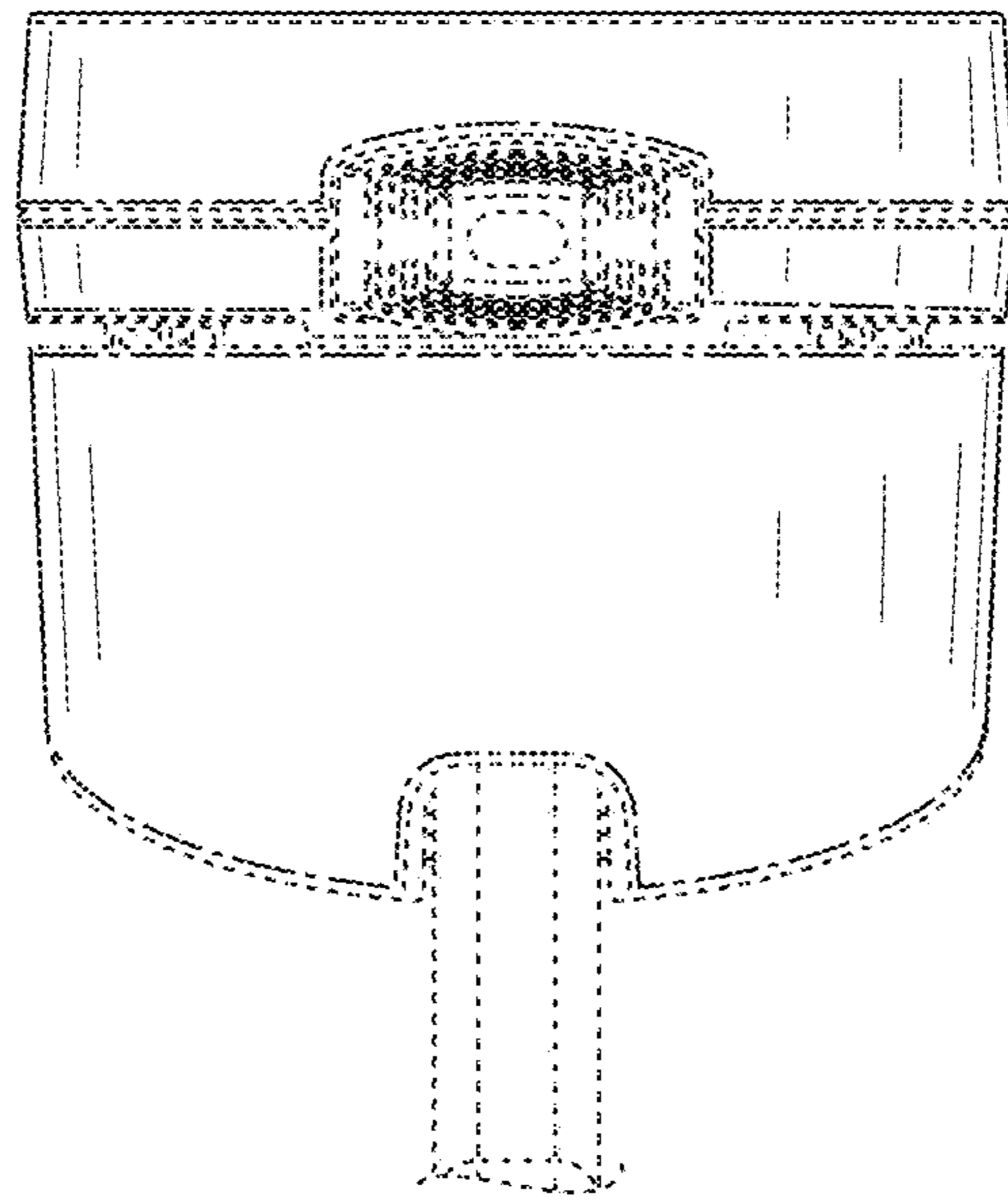


FIG. 6

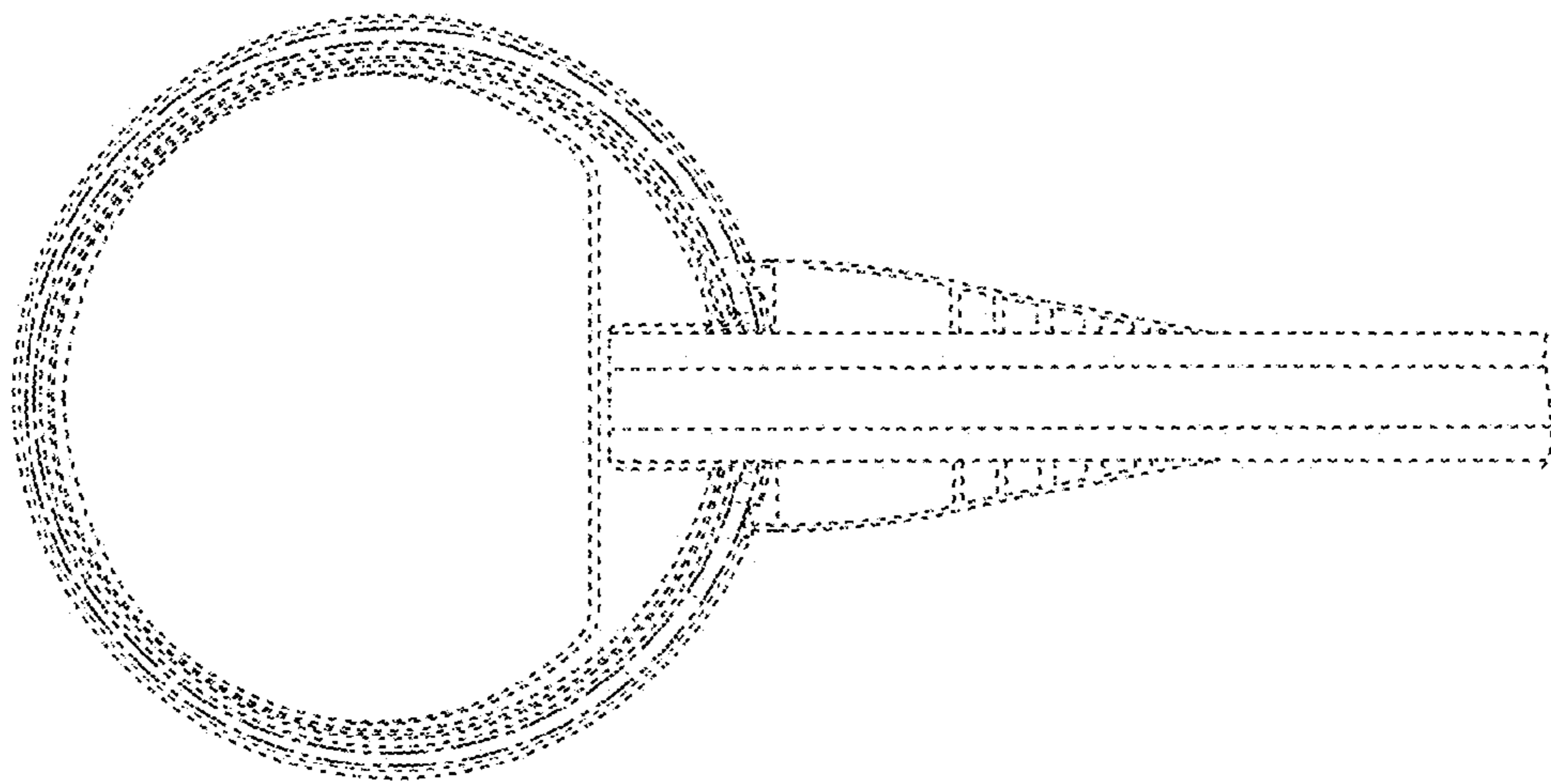


FIG. 7