



US00D743823S

(12) **United States Design Patent**  
**Taylor et al.**

(10) **Patent No.:** **US D743,823 S**

(45) **Date of Patent:** **\*\* Nov. 24, 2015**

(54) **WEIGH SCALE**

(71) Applicant: **ILLINOIS TOOL WORKS INC.**,  
Glenview, IL (US)

(72) Inventors: **Ian Taylor**, West Midlands (GB); **Anita Brinsdon**, West Midlands (GB); **Neil Jackson**, West Midlands (GB)

(73) Assignee: **ILLINOIS TOOL WORKS INC.**,  
Glenview, IL (US)

(\*\*) Term: **14 Years**

(21) Appl. No.: **29/502,517**

(22) Filed: **Sep. 17, 2014**

(30) **Foreign Application Priority Data**

Mar. 18, 2014 (EM) ..... 002427484-0001  
Mar. 18, 2014 (EM) ..... 002427484-0002  
Mar. 18, 2014 (EM) ..... 002427484-0003  
Mar. 18, 2014 (EM) ..... 002427484-0004

(51) **LOC (10) Cl.** ..... **10-04**

(52) **U.S. Cl.**  
USPC ..... **D10/91**

(58) **Field of Classification Search**  
USPC ..... D10/87-94; 177/1-264  
CPC ..... G01G 3/00-3/18; G01G 7/00-7/06;  
G01G 5/00-5/06; G01G 1/00-1/42; G01G  
9/00-9/005; G01G 11/00-11/20; G01G  
13/00-13/34; G01G 15/00-15/047; G01G  
17/00-17/08

See application file for complete search history.

(56) **References Cited**

**U.S. PATENT DOCUMENTS**

D260,377 S \* 8/1981 Lawing ..... D10/91  
D261,241 S \* 10/1981 Lawing ..... D10/91

(Continued)

*Primary Examiner* — Antoine D Davis

(74) *Attorney, Agent, or Firm* — Hauptman Ham LLP

(57) **CLAIM**

The ornamental design for a weigh scale, as shown and described.

**DESCRIPTION**

FIG. 1 is a front-right-top perspective view of a weigh scale bearing the design, according to a first embodiment; FIG. 2 is a back-left-top perspective view of the weigh scale of FIG. 1;

FIG. 3 is a front view of the weigh scale of FIG. 1; FIG. 4 is a right side view of the weigh scale of FIG. 1;

FIG. 5 is a left side view of the weigh scale of FIG. 1; FIG. 6 is a back view of the weigh scale of FIG. 1; and FIG. 7 is a top plan view of the weigh scale of FIG. 1.

FIG. 8 is a front-right-top perspective view of a weigh scale bearing the design, according to a second embodiment; FIG. 9 is a back-left-top perspective view of the weigh scale of FIG. 8;

FIG. 10 is a front view of the weigh scale of FIG. 8; FIG. 11 is a right side view of the weigh scale of FIG. 8;

FIG. 12 is a left side view of the weigh scale of FIG. 8; FIG. 13 is a back view of the weigh scale of FIG. 8; and FIG. 14 is a top plan view of the weigh scale of FIG. 8.

FIG. 15 is a front-right-top perspective view of a weigh scale bearing the design, according to a third embodiment; FIG. 16 is a back-left-top perspective view of the weigh scale of FIG. 15;

FIG. 17 is a front view of the weigh scale of FIG. 15; FIG. 18 is a right side view of the weigh scale of FIG. 15;

FIG. 19 is a left side view of the weigh scale of FIG. 15; FIG. 20 is a back view of the weigh scale of FIG. 15; and FIG. 21 is a top plan view of the weigh scale of FIG. 15.

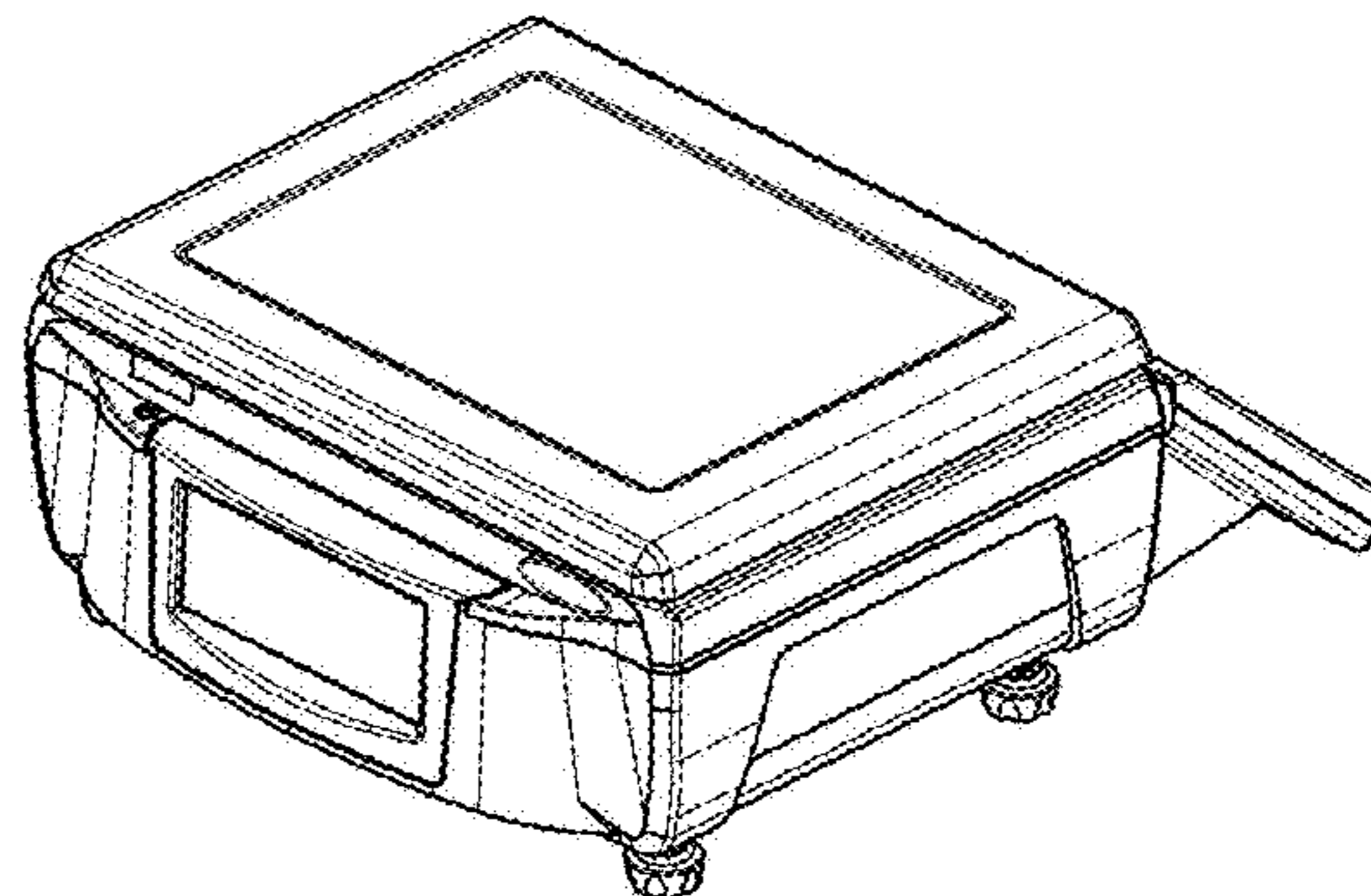
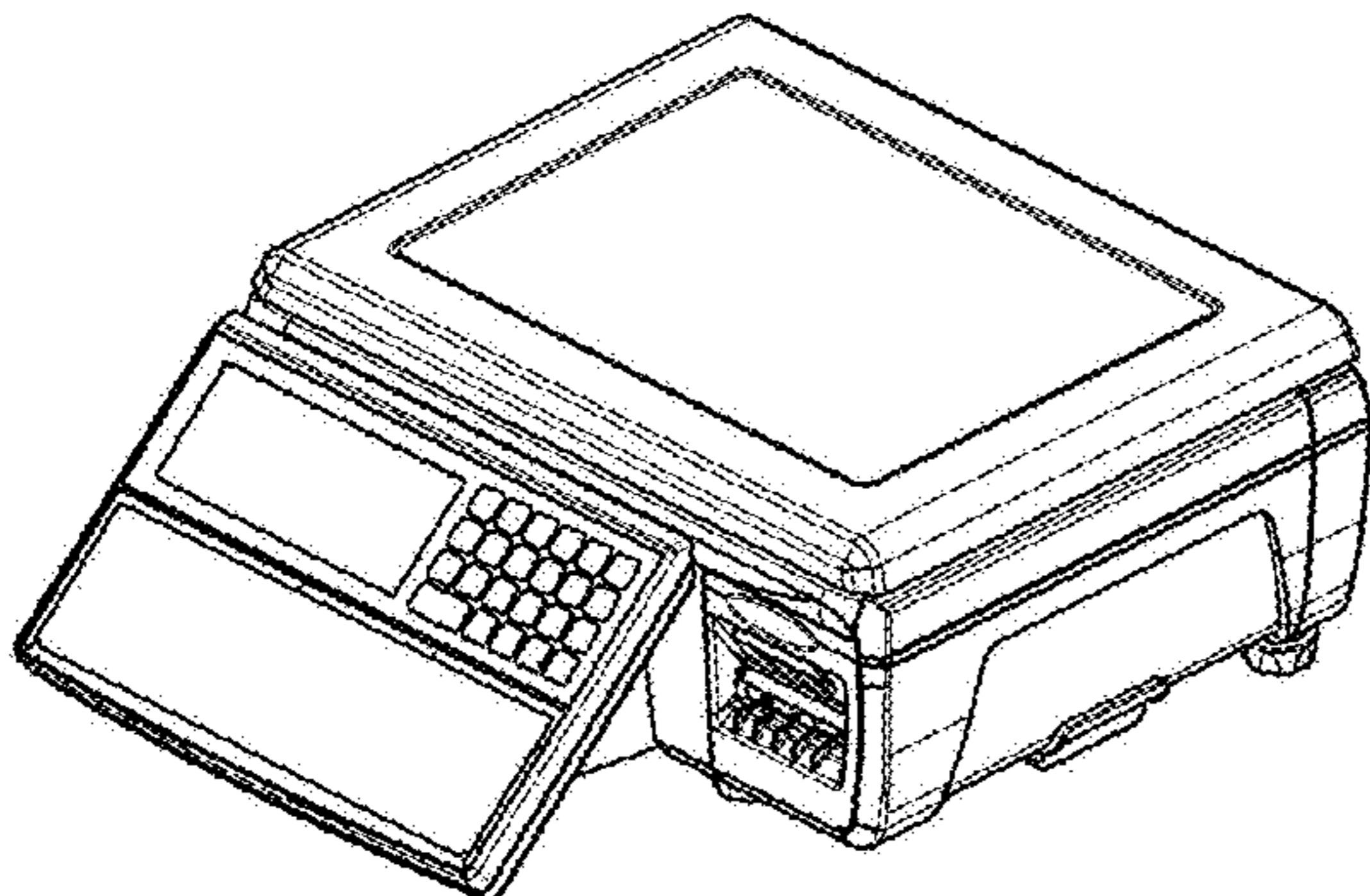
FIG. 22 is a front-right-top perspective view of a weigh scale bearing the design, according to a fourth embodiment; FIG. 23 is a back-left-top perspective view of the weigh scale of FIG. 22;

FIG. 24 is a front view of the weigh scale of FIG. 22; FIG. 25 is a right side view of the weigh scale of FIG. 22;

FIG. 26 is a left side view of the weigh scale of FIG. 22; FIG. 27 is a back view of the weigh scale of FIG. 22; and FIG. 28 is a top plan view of the weigh scale of FIG. 22.

FIG. 28 is a top plan view of the weigh scale of FIG. 22.

**1 Claim, 28 Drawing Sheets**



# US D743,823 S

Page 2

---

(56)

## References Cited

### U.S. PATENT DOCUMENTS

D454,805 S \* 3/2002 Mimoto ..... D10/91  
D455,090 S \* 4/2002 Mimoto ..... D10/91  
D455,091 S \* 4/2002 Mimoto ..... D10/91

D591,624 S \* 5/2009 Taylor ..... D10/91  
D591,625 S \* 5/2009 Taylor ..... D10/91  
D628,919 S \* 12/2010 Taylor ..... D10/91  
2012/0217069 A1 \* 8/2012 Kawamura et al. .... 177/25.13

\* cited by examiner

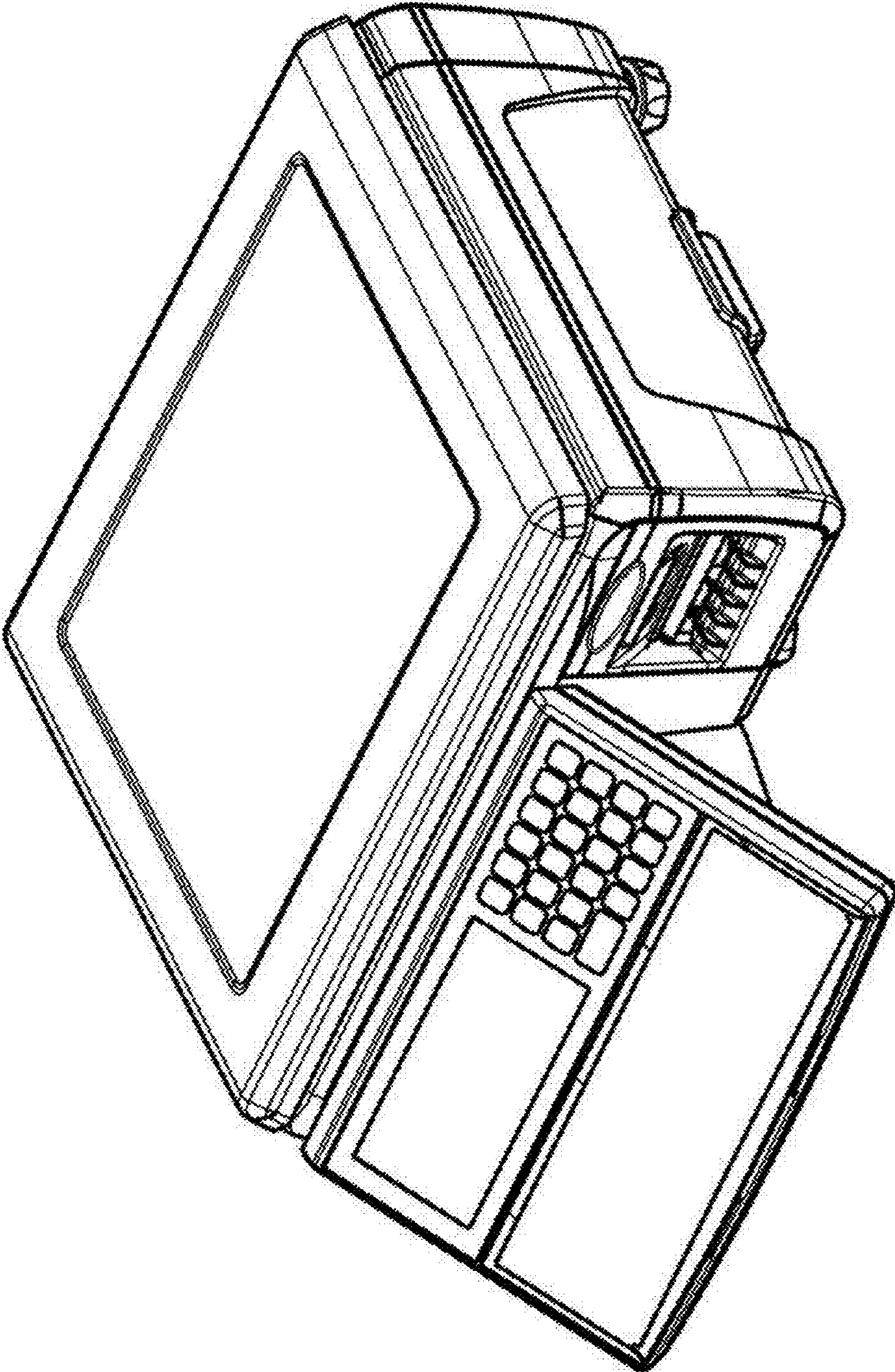


FIG. 1

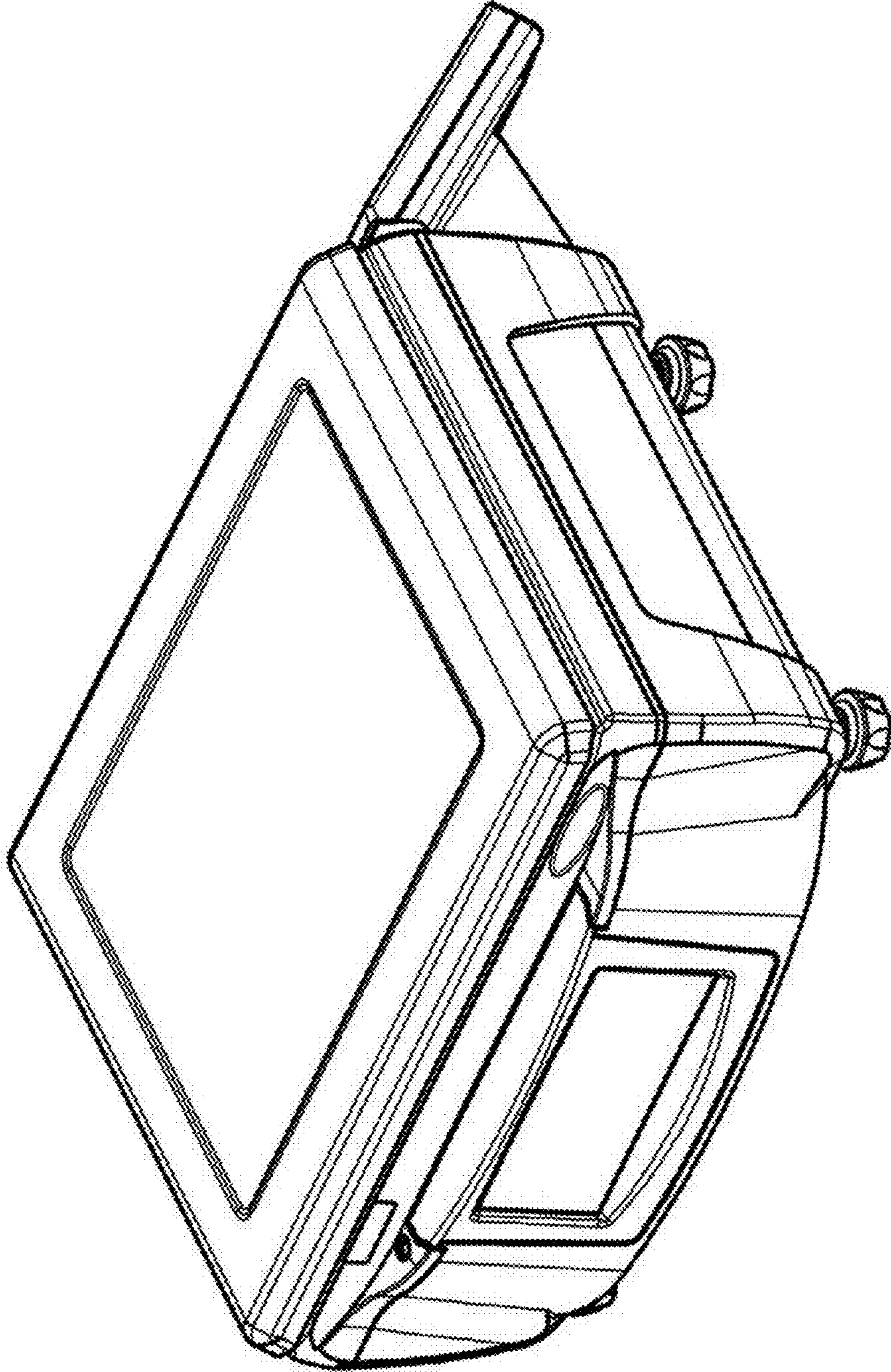


FIG. 2

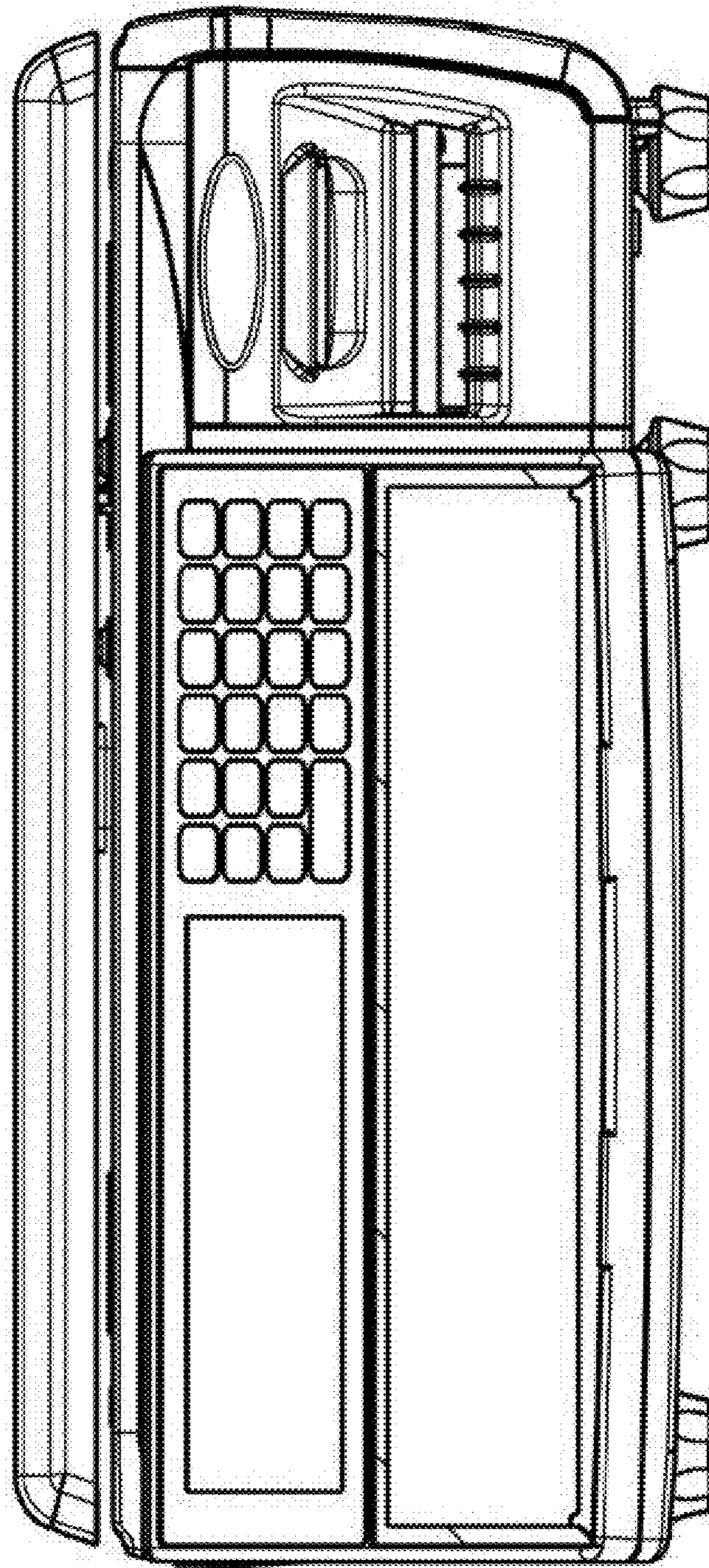


FIG. 3

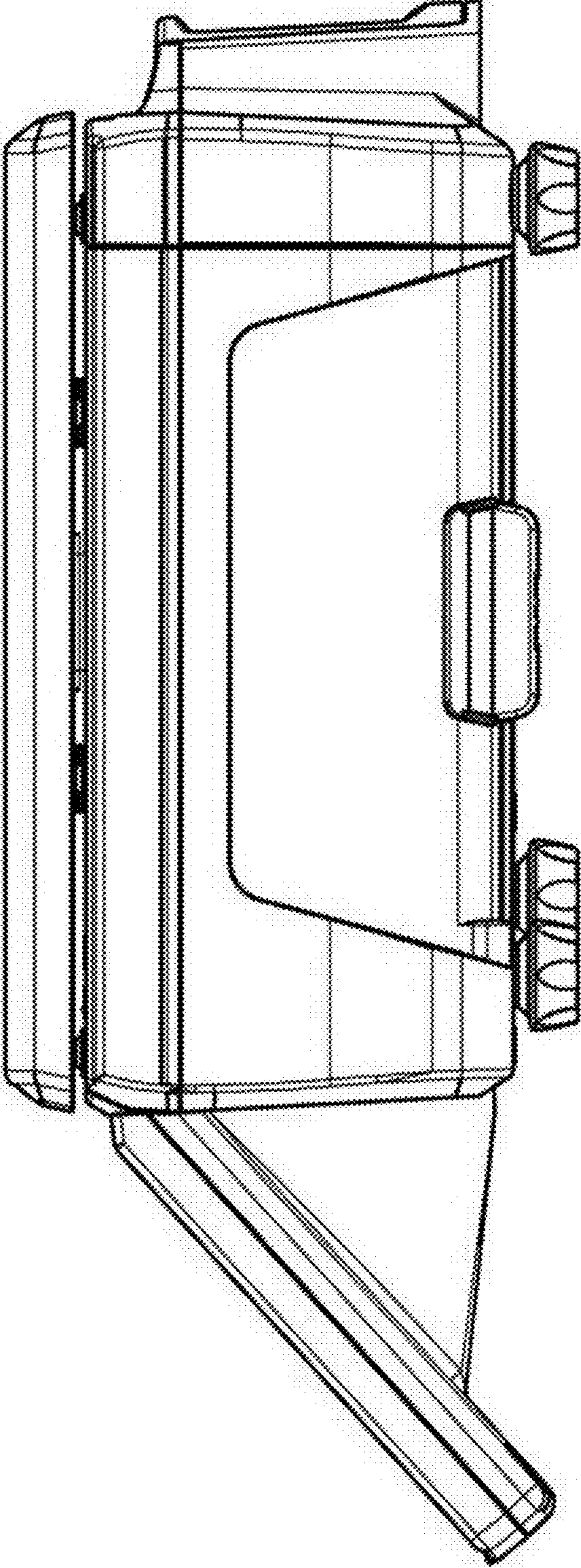


FIG. 4

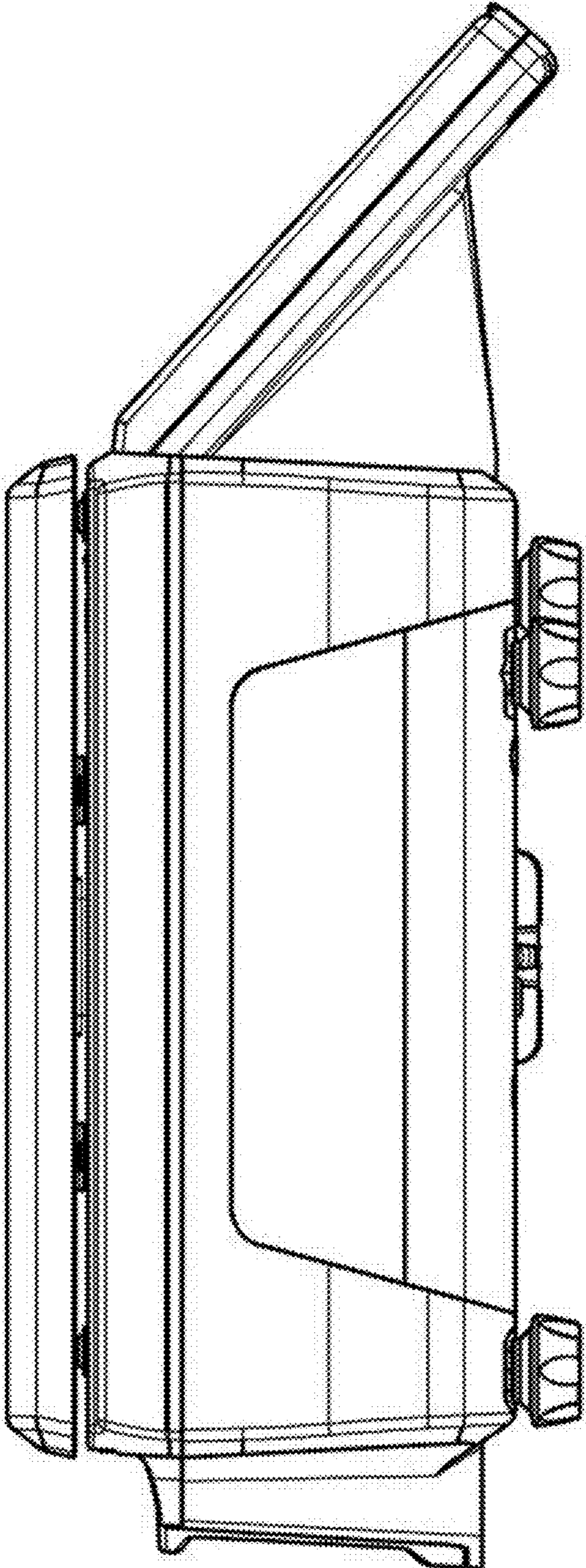


FIG. 5

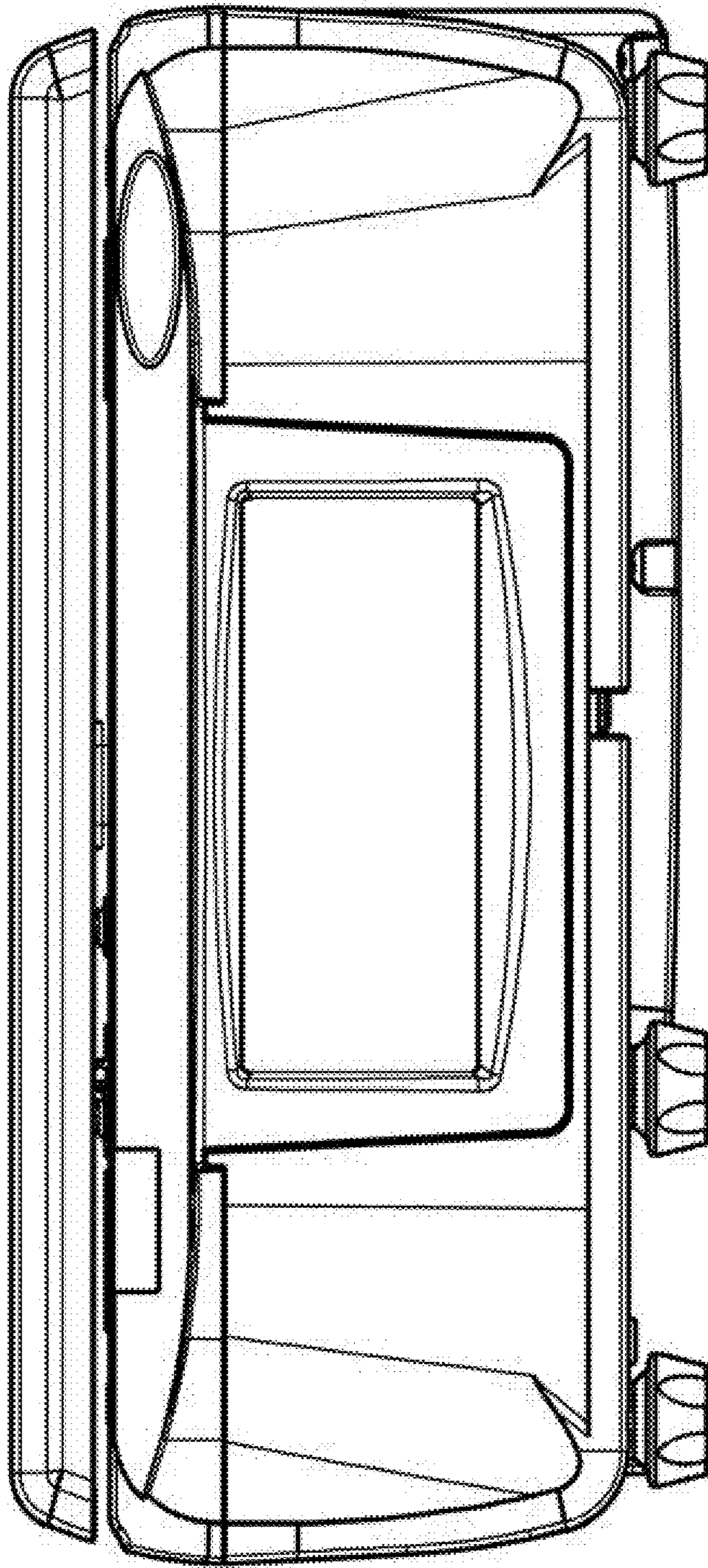


FIG. 6



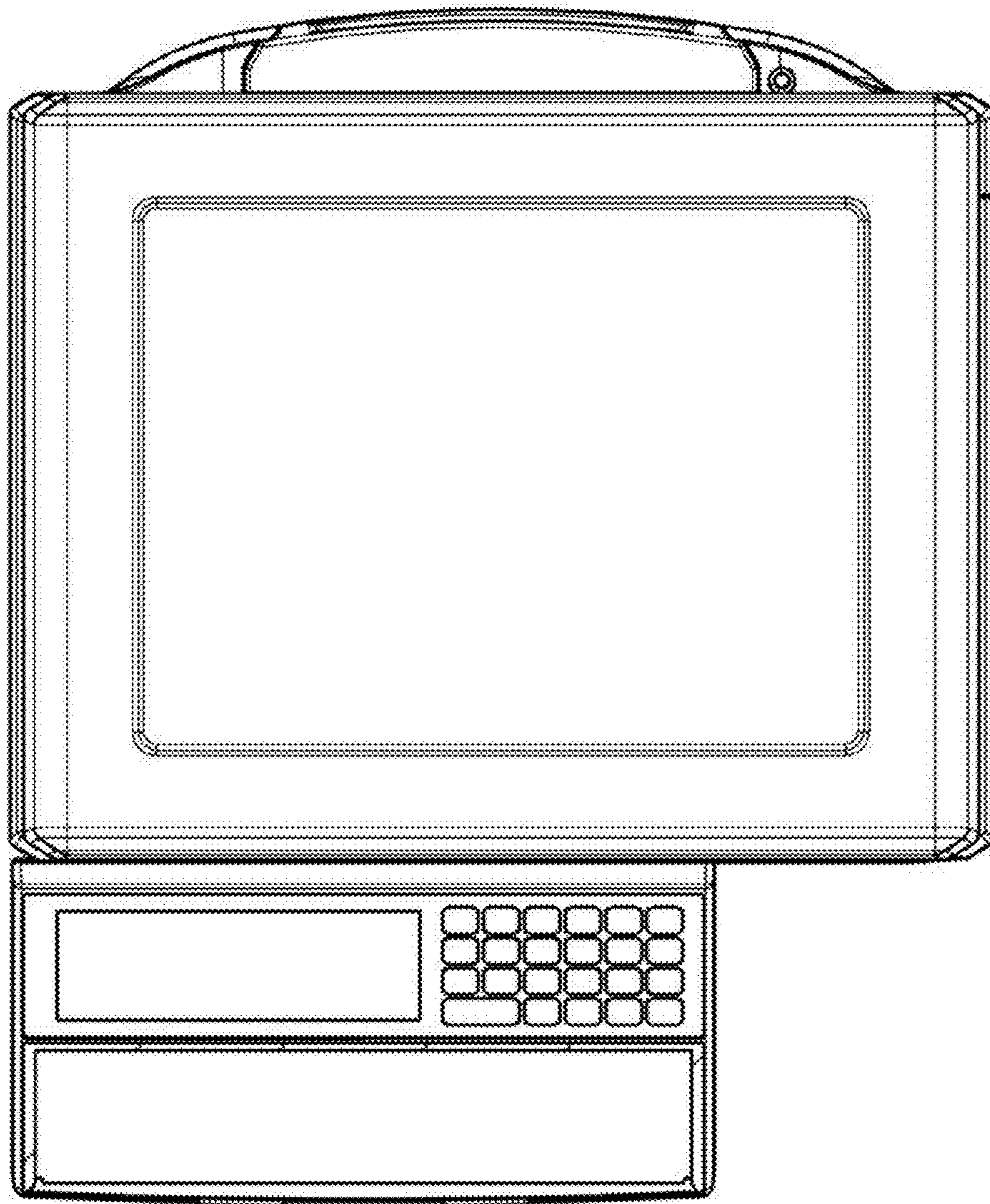


FIG. 7

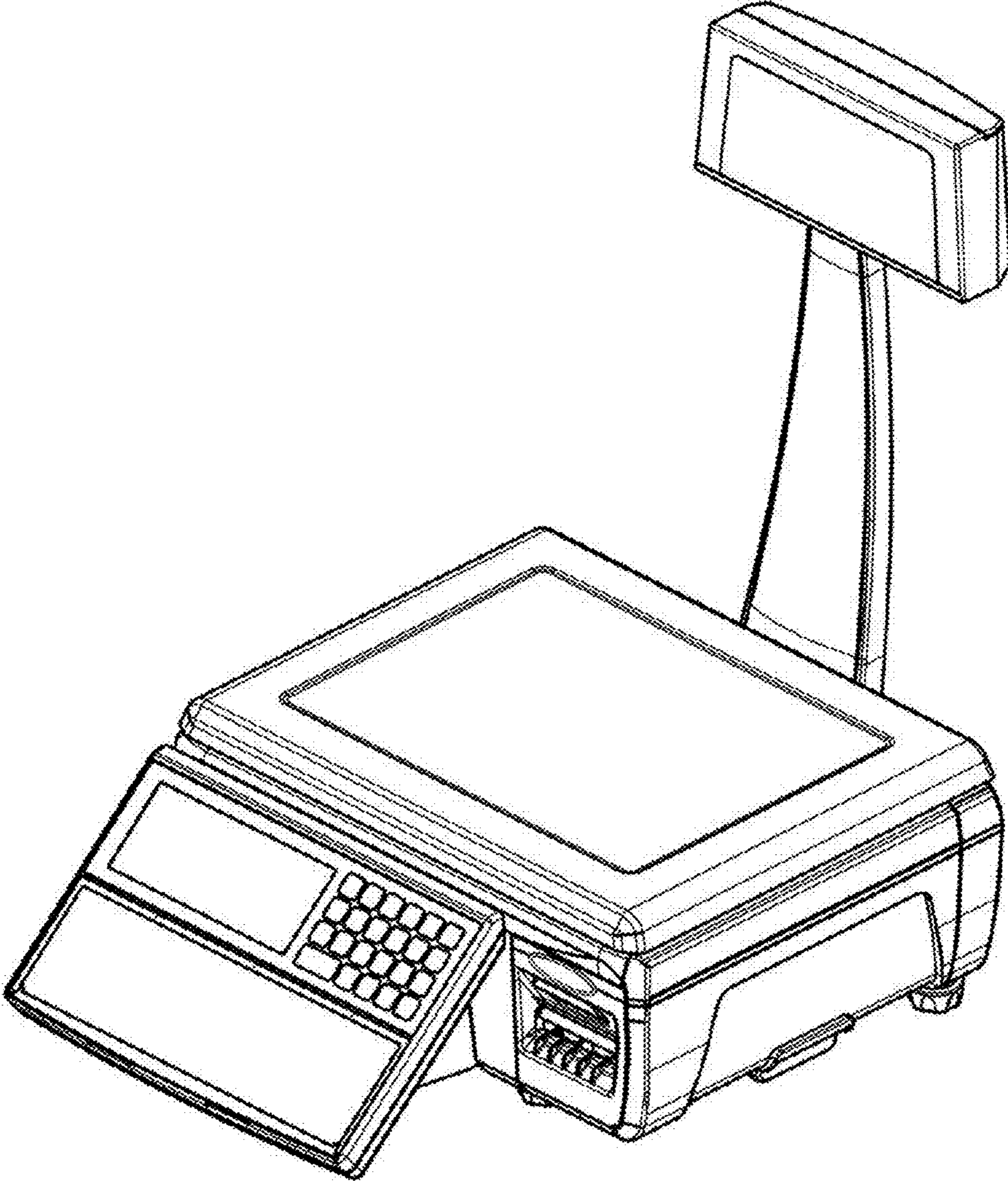


FIG. 8

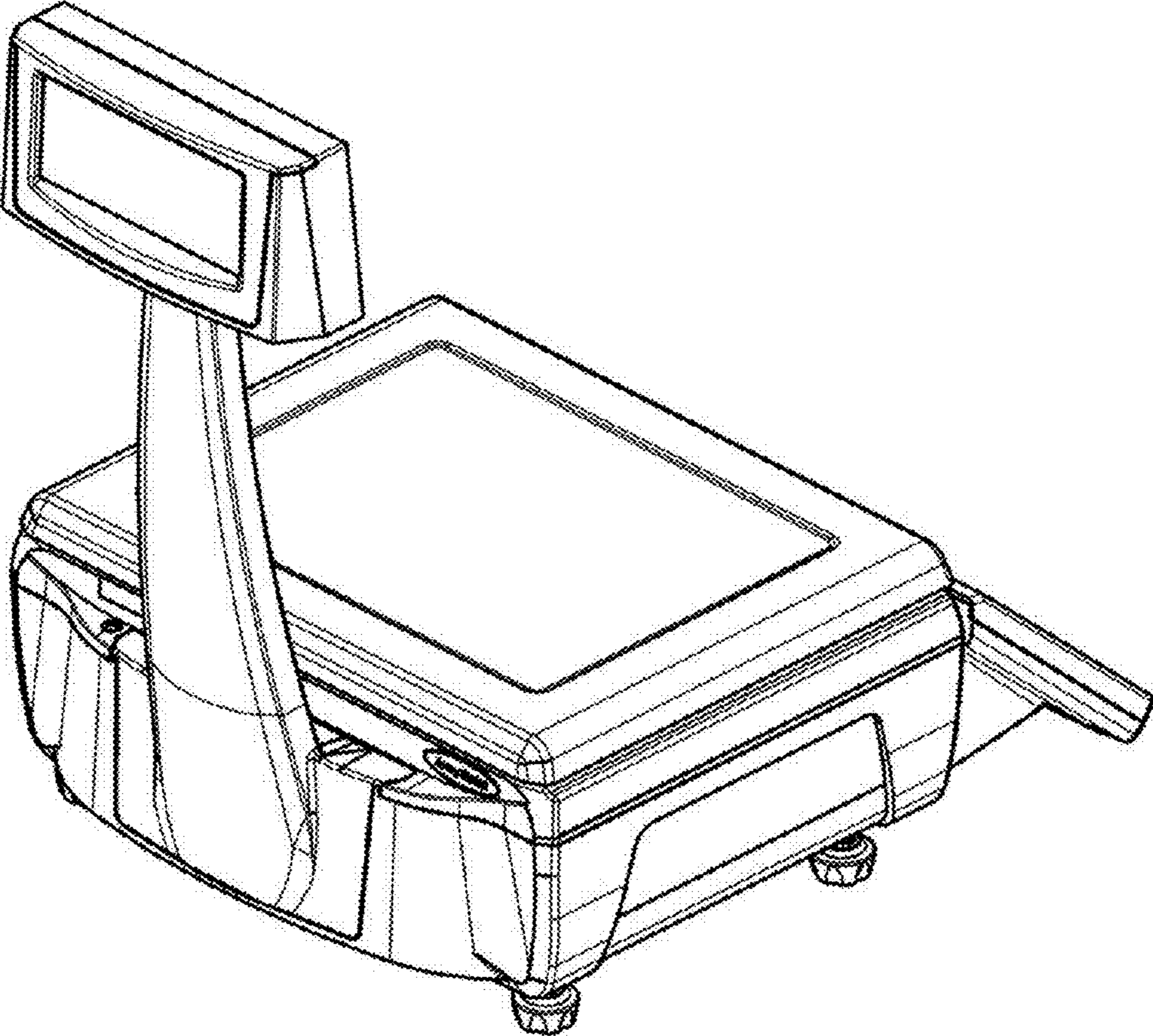


FIG. 9

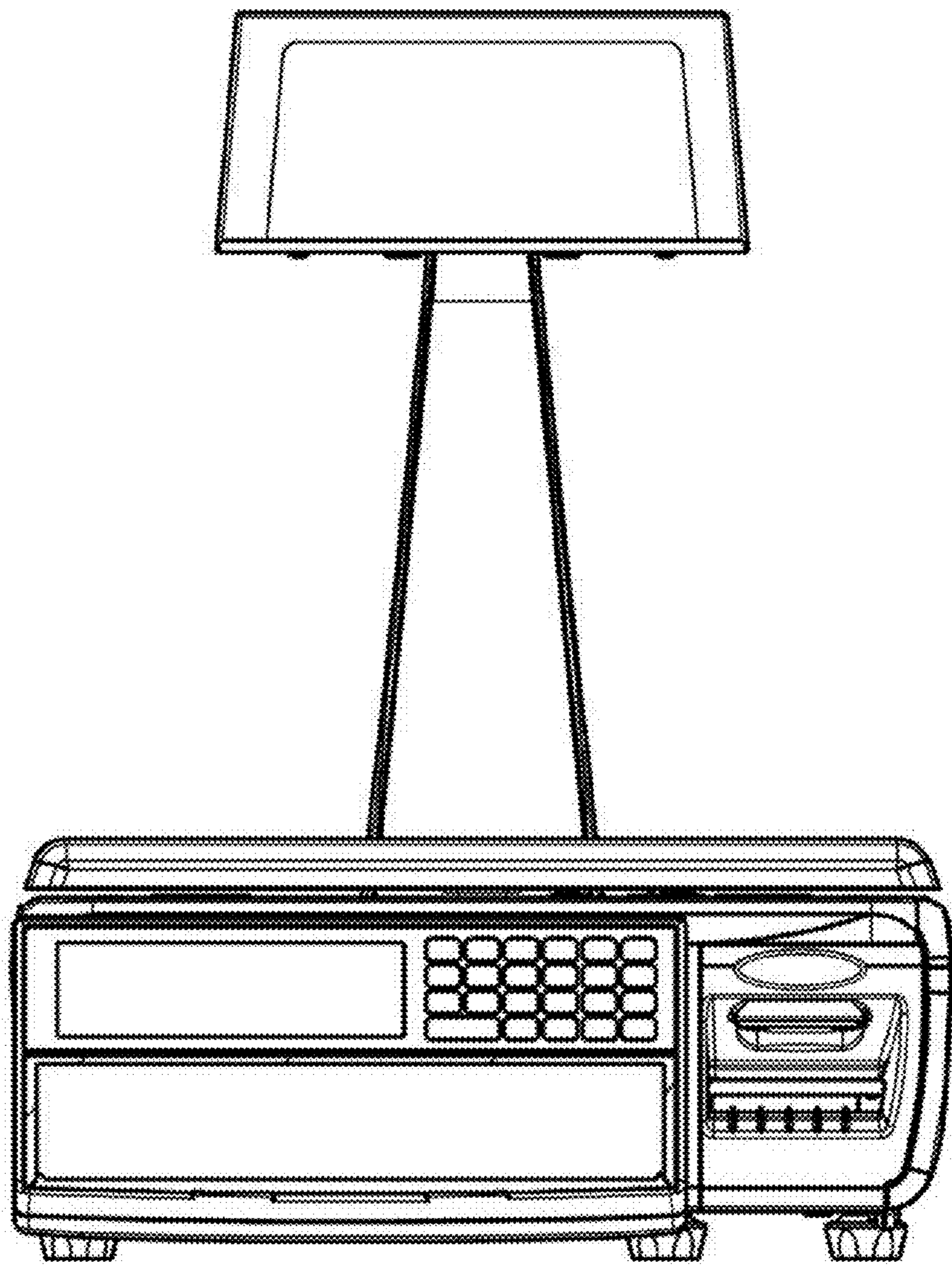


FIG. 10

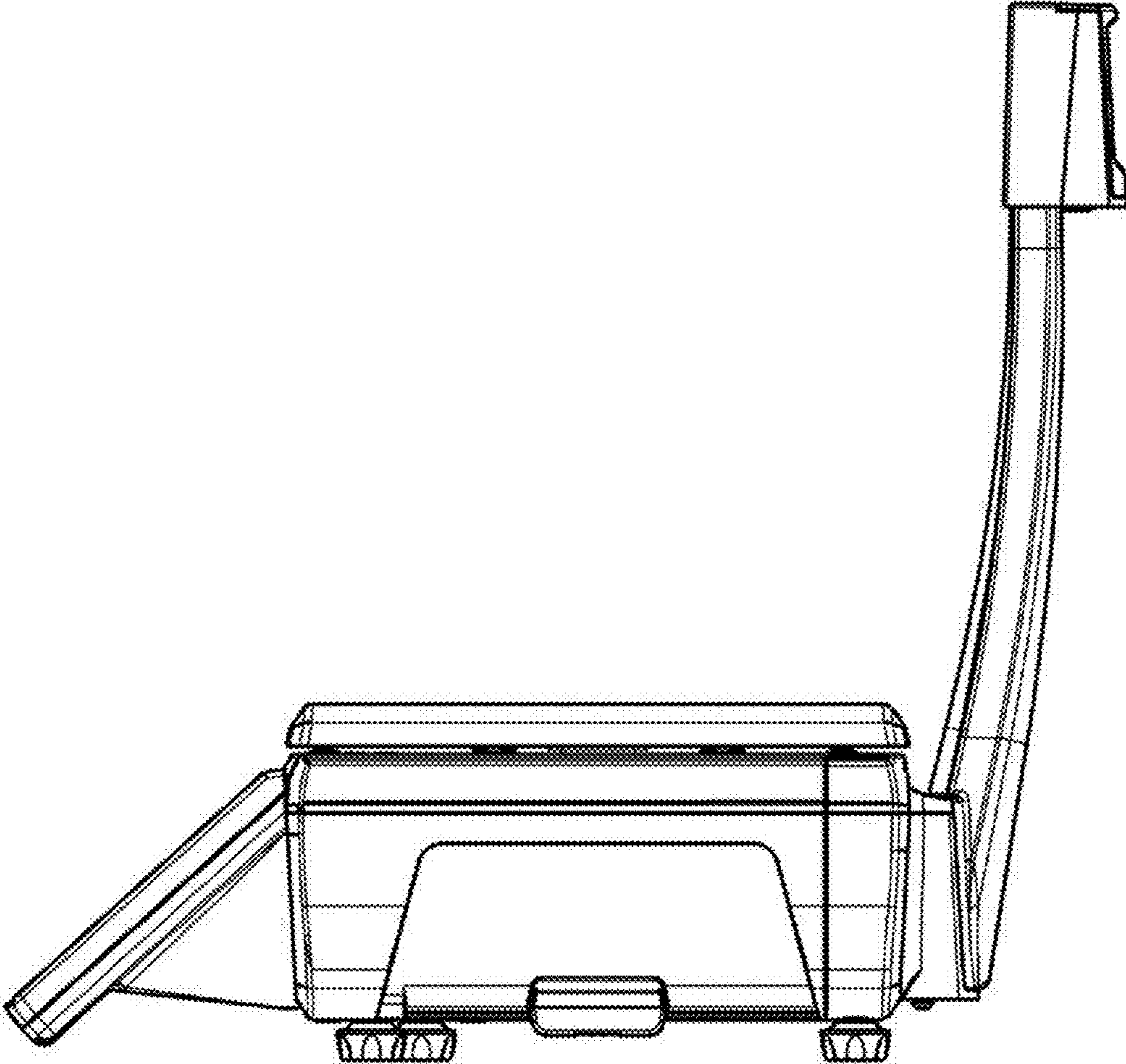


FIG. 11

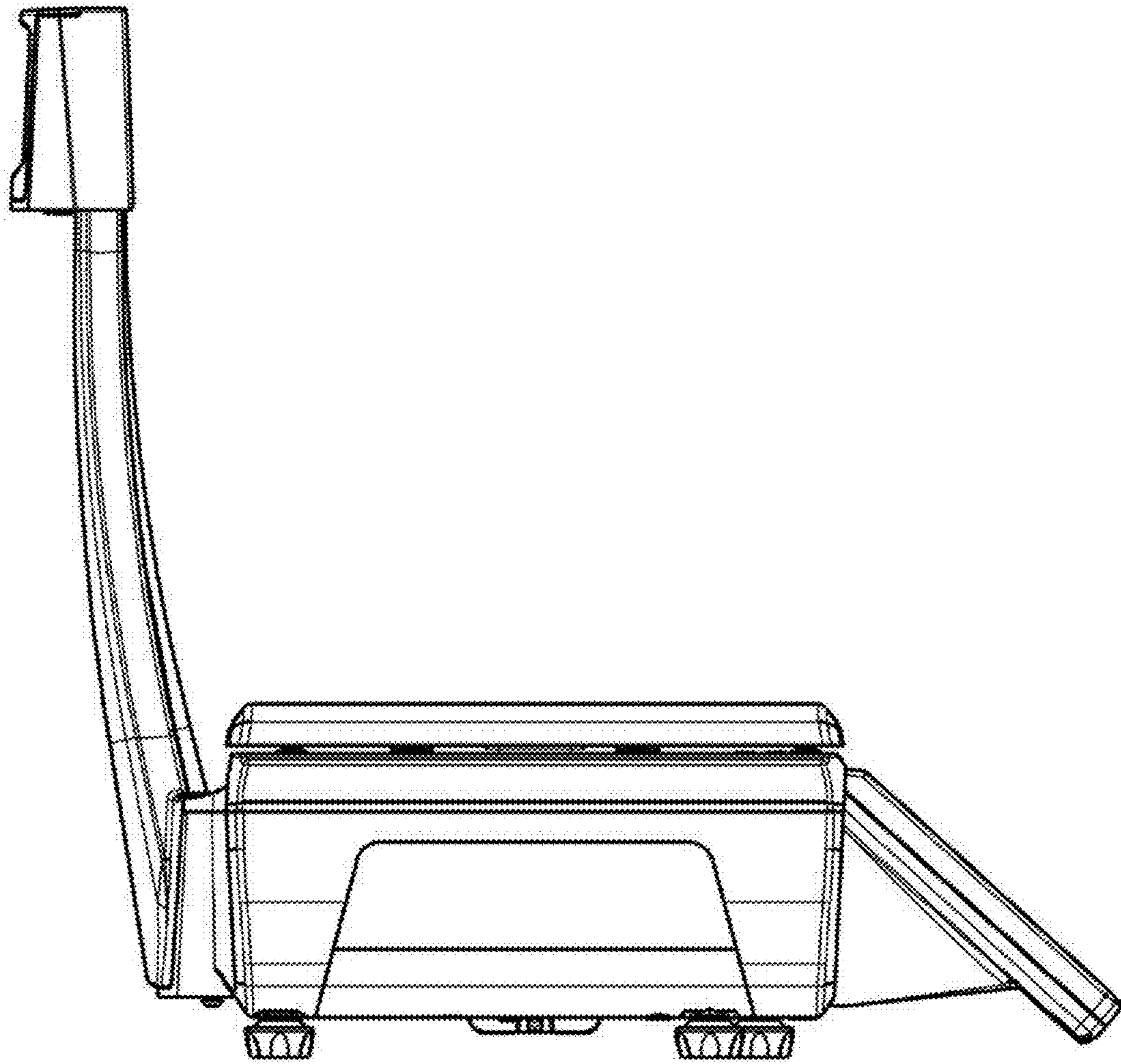


FIG. 12

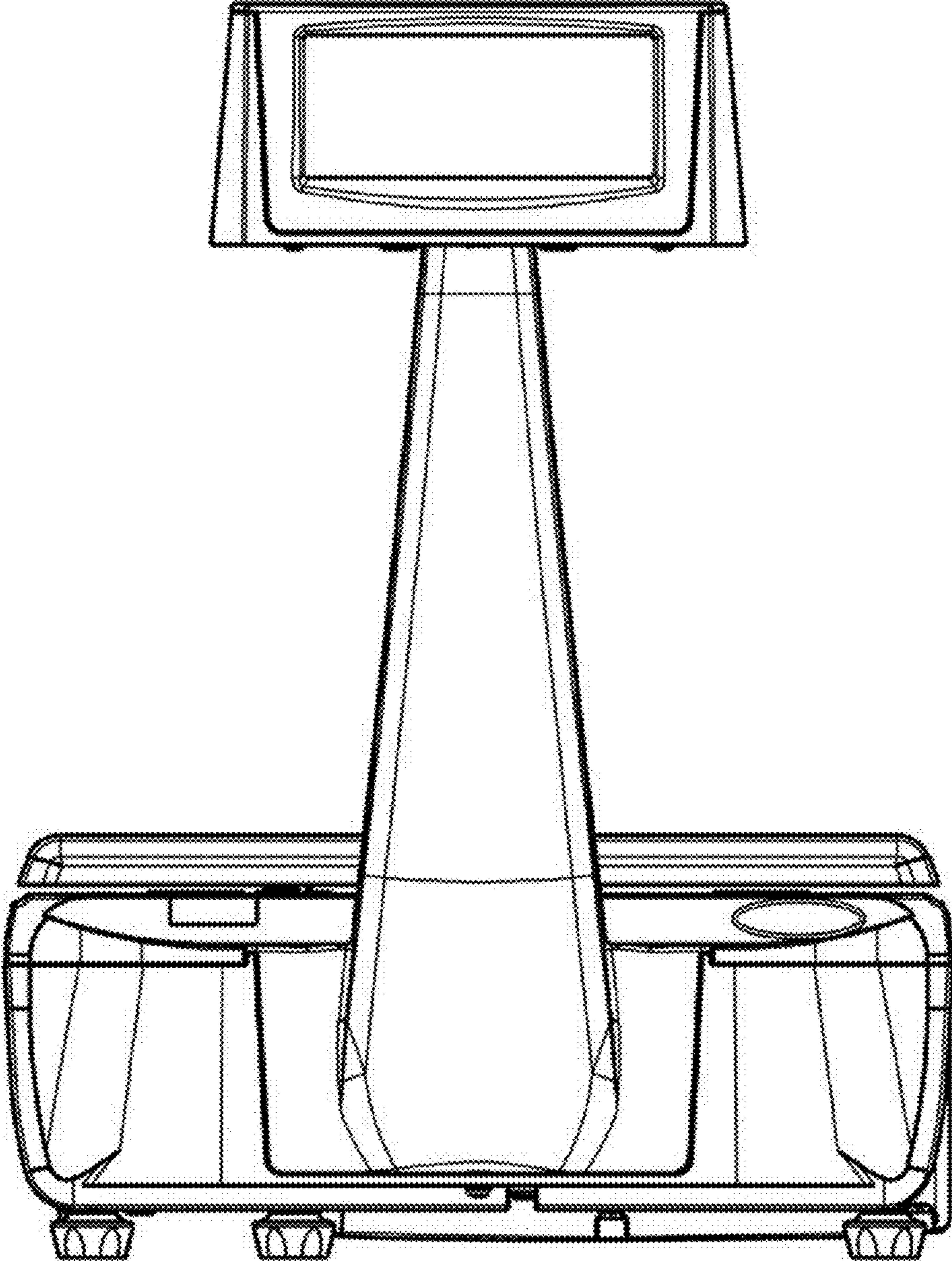


FIG. 13

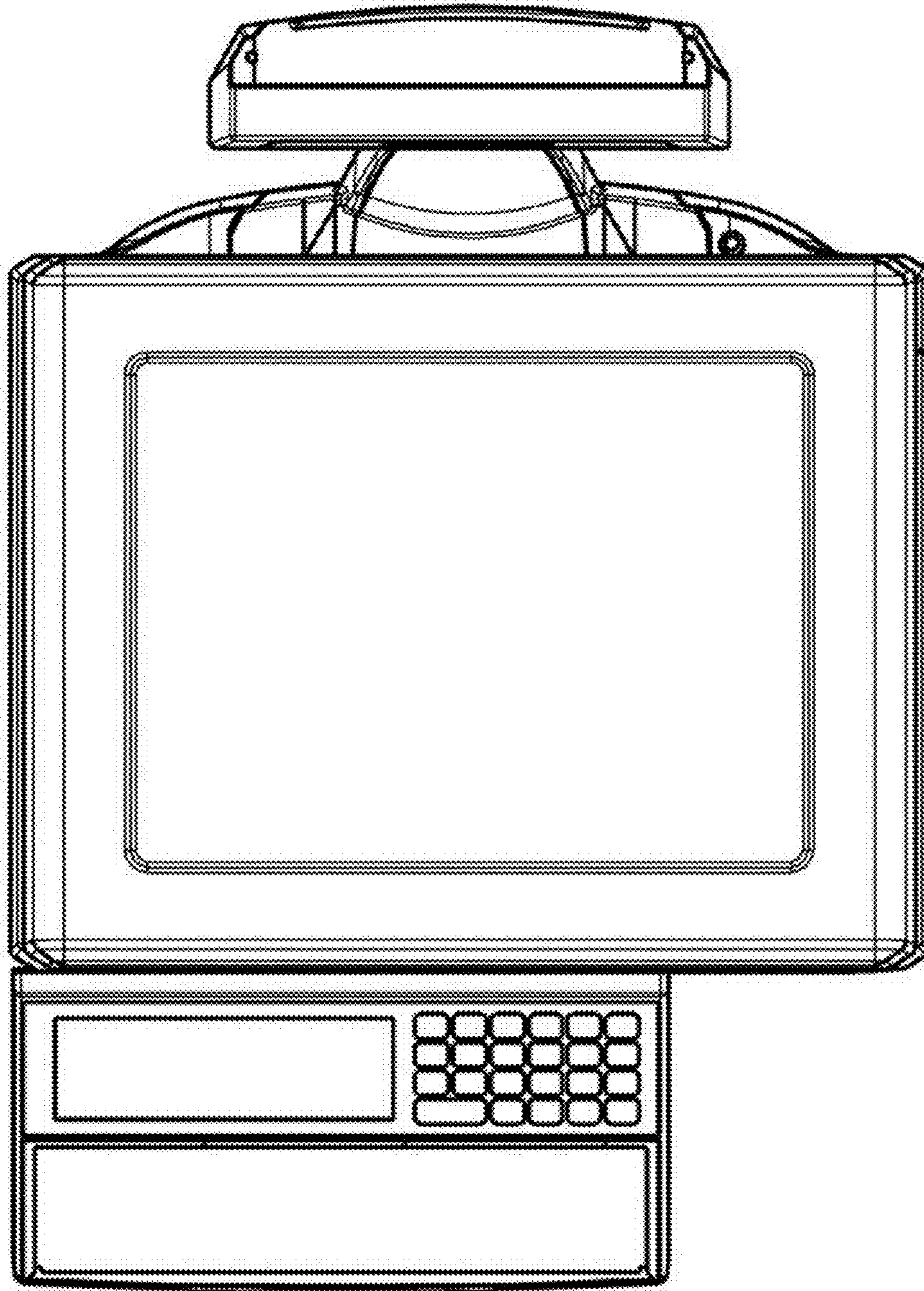


FIG. 14



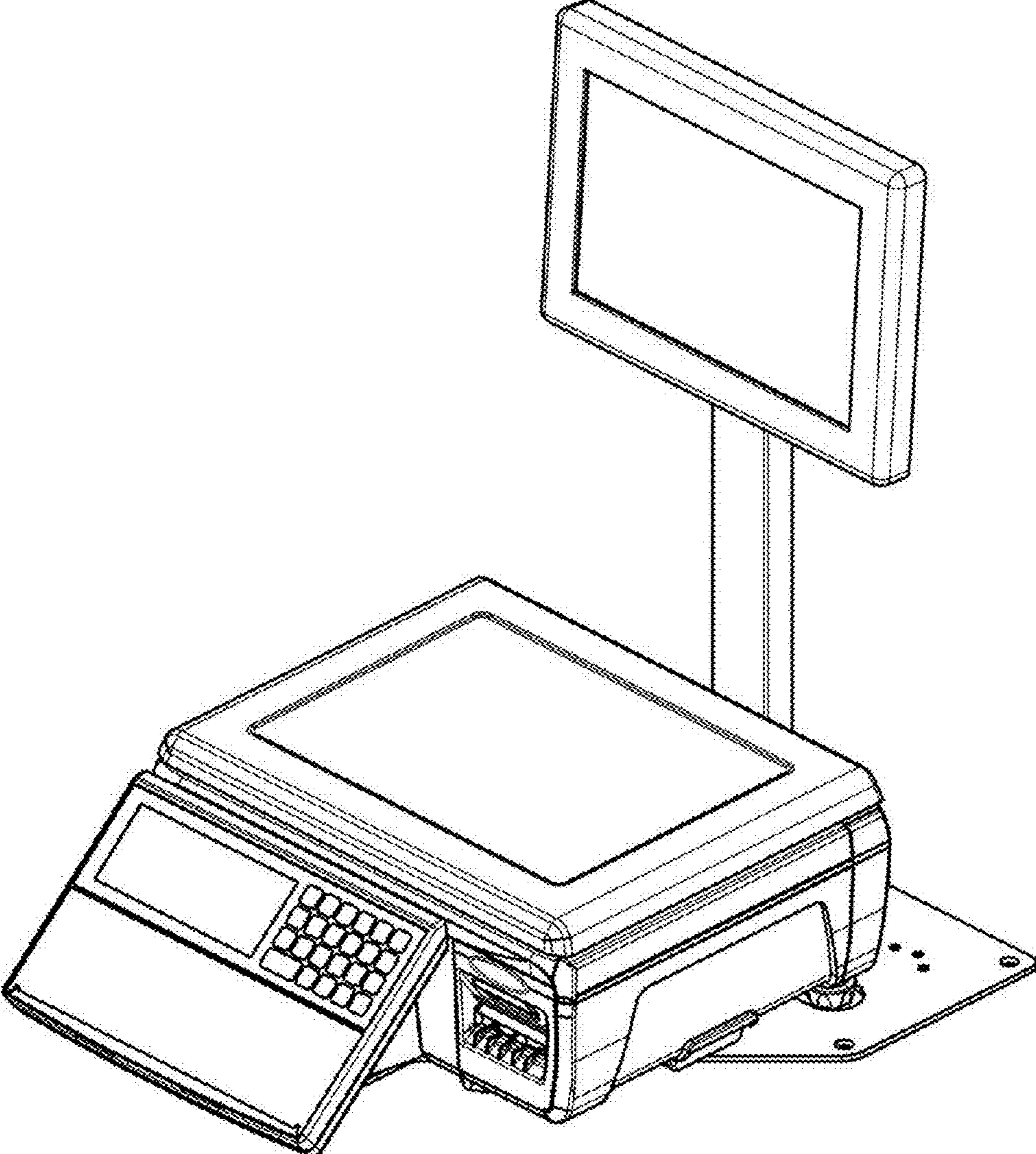


FIG. 15

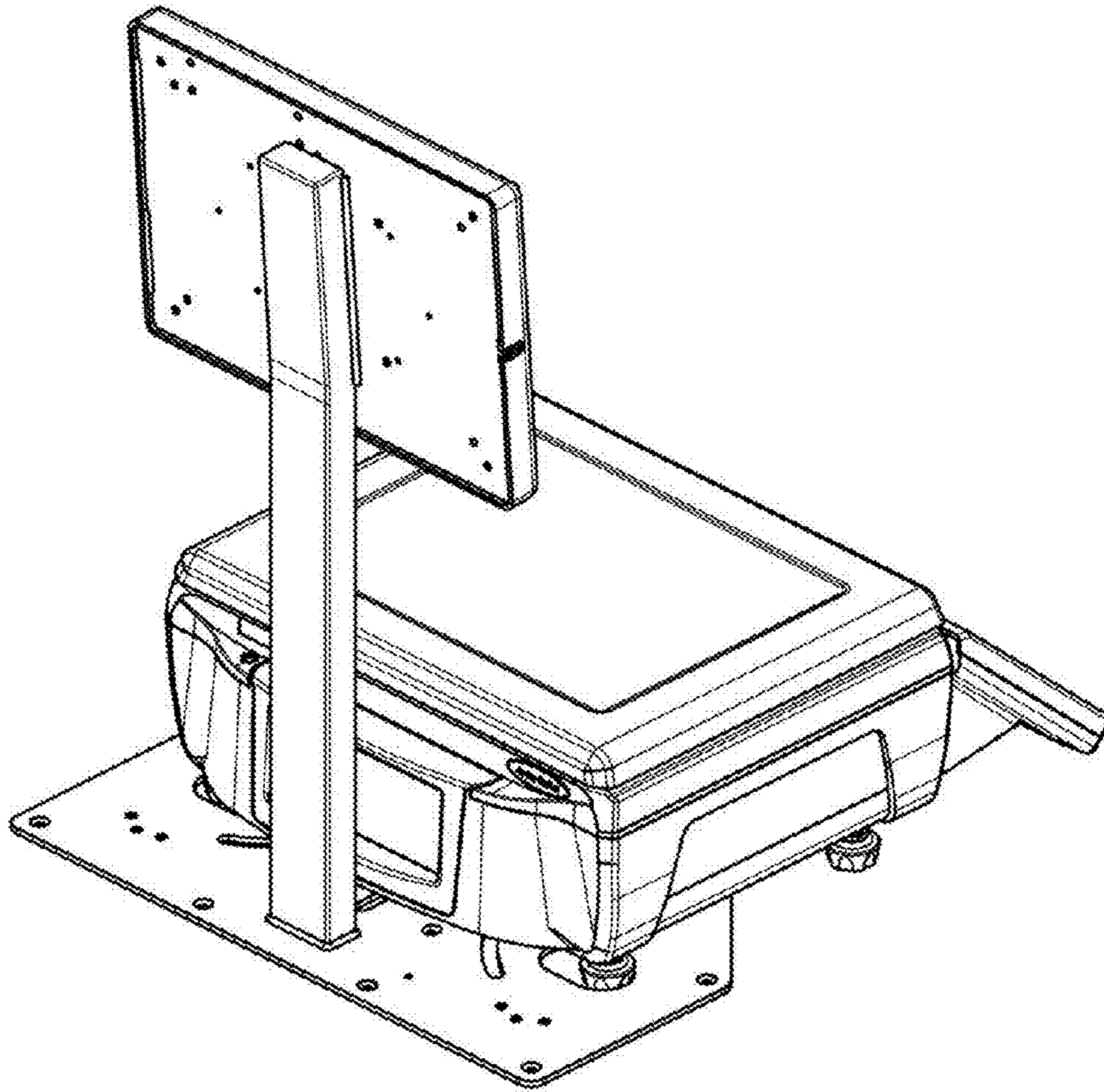


FIG. 16

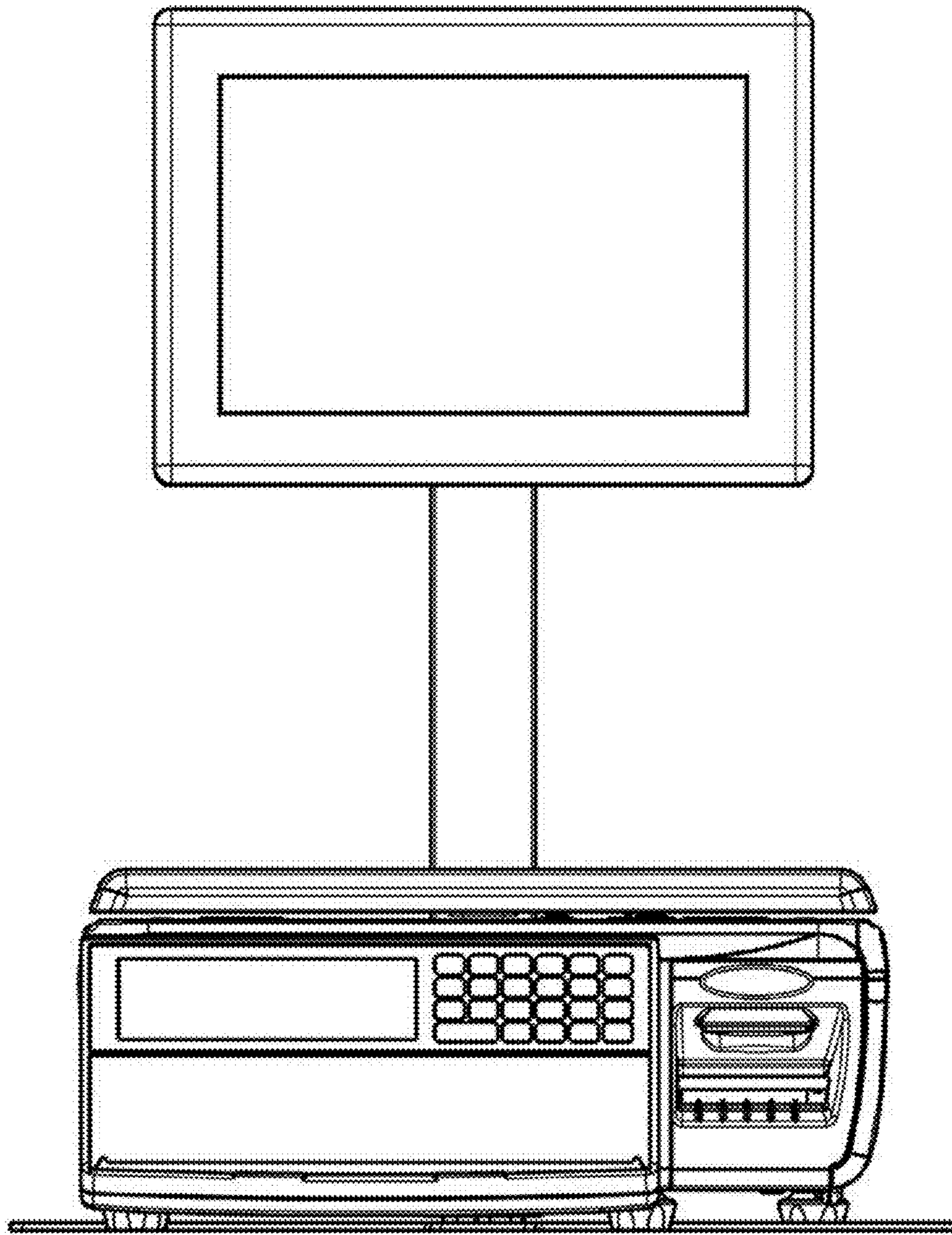


FIG. 17

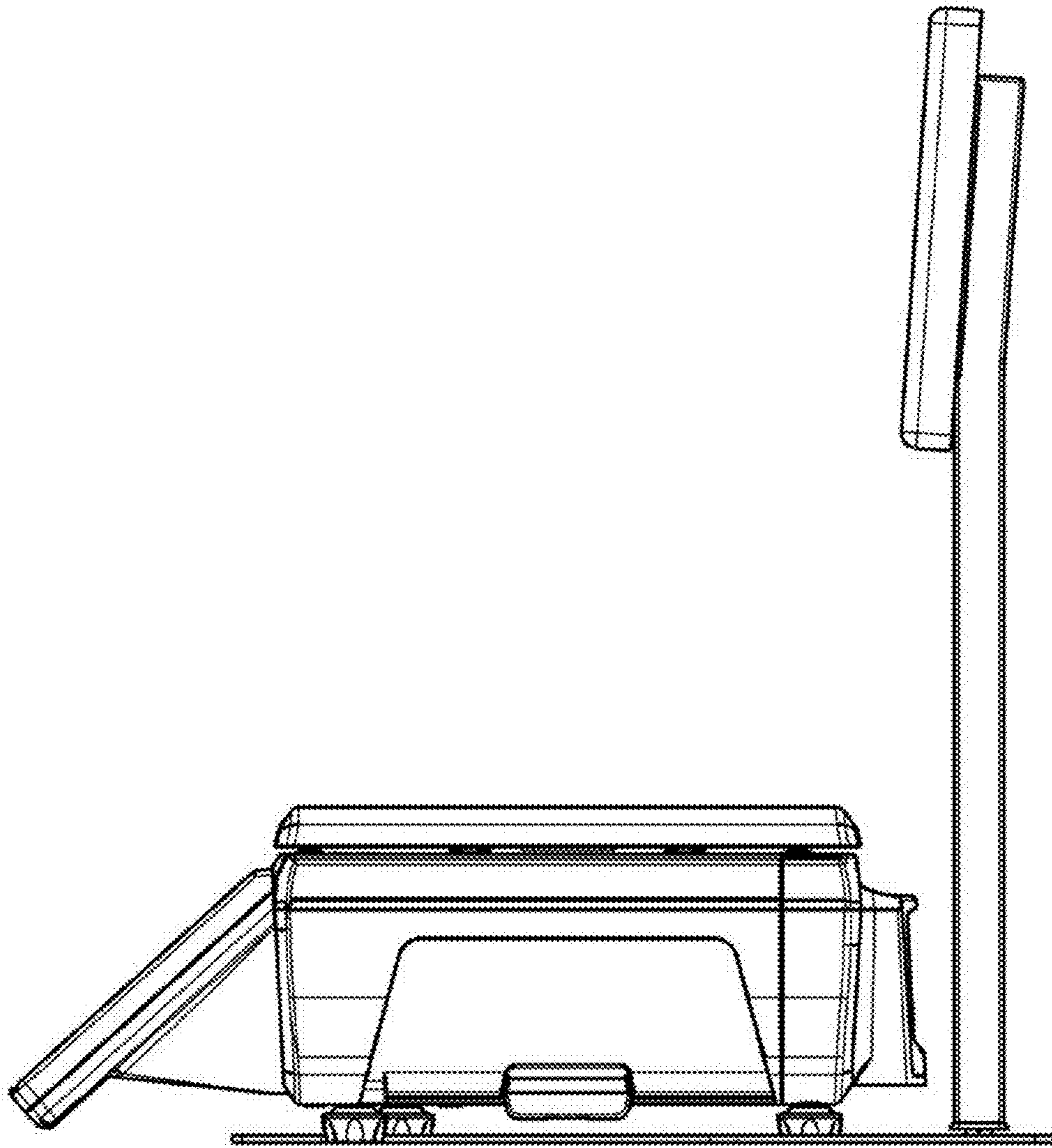


FIG. 18

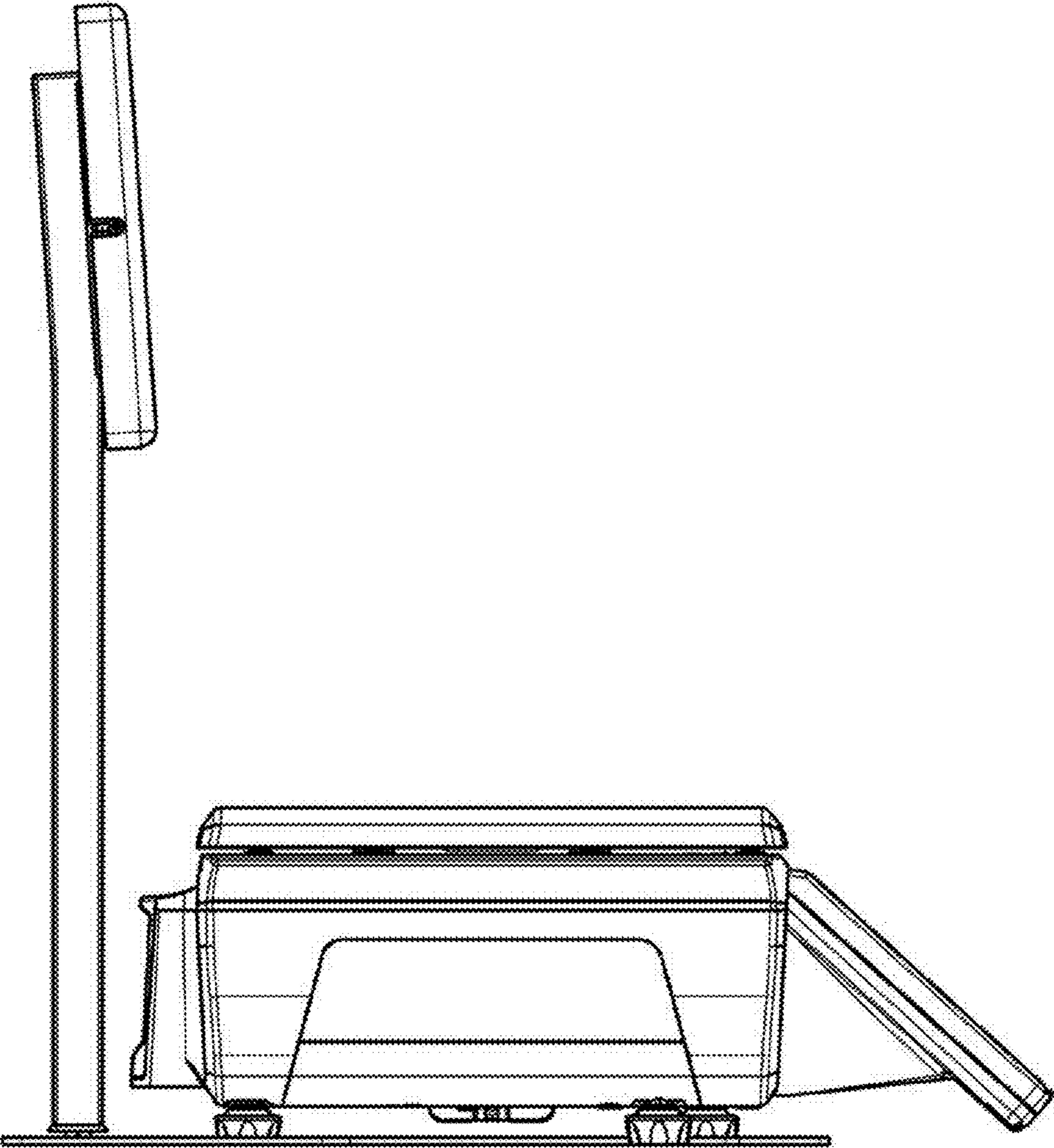


FIG. 19

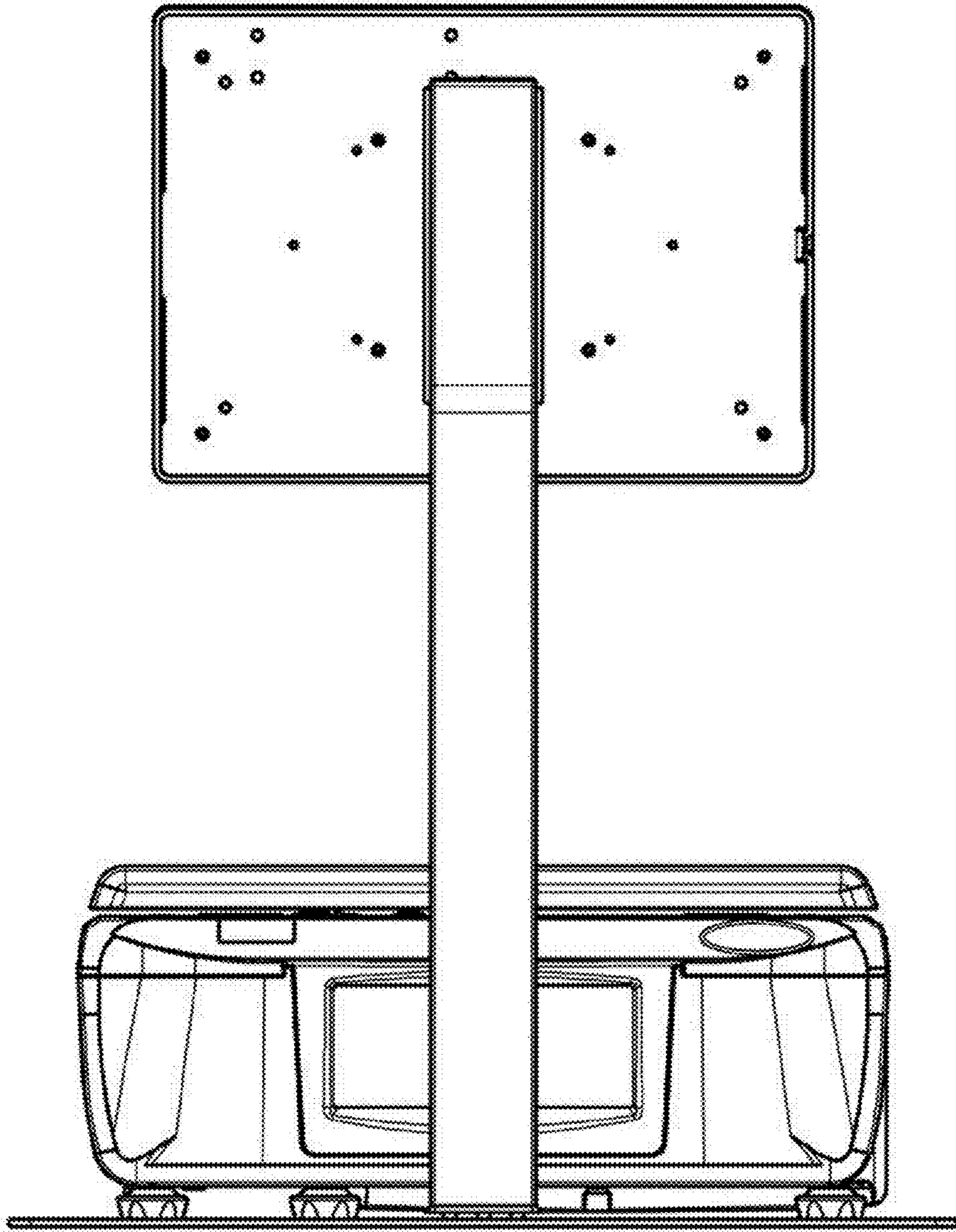


FIG. 20

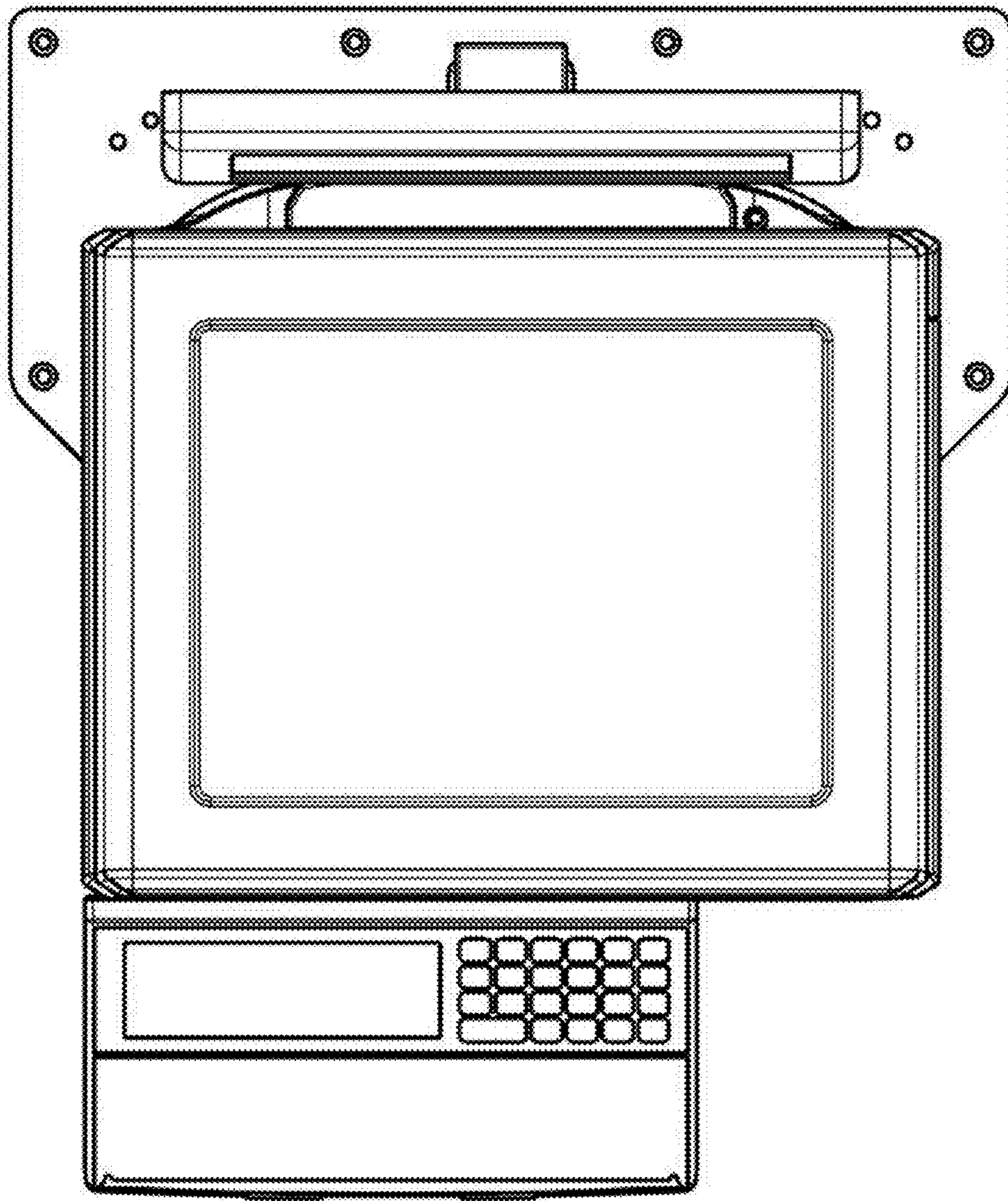


FIG. 21

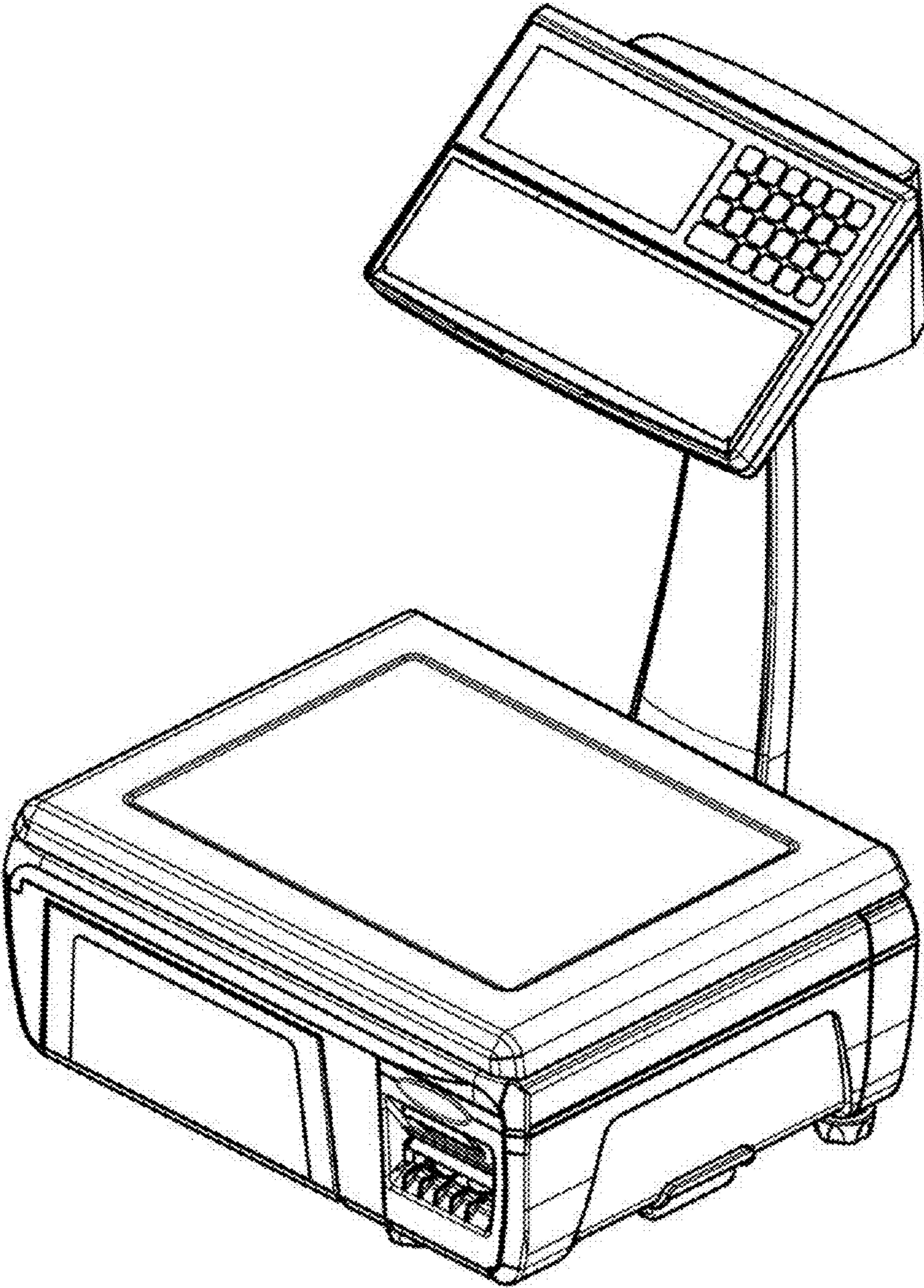


FIG. 22



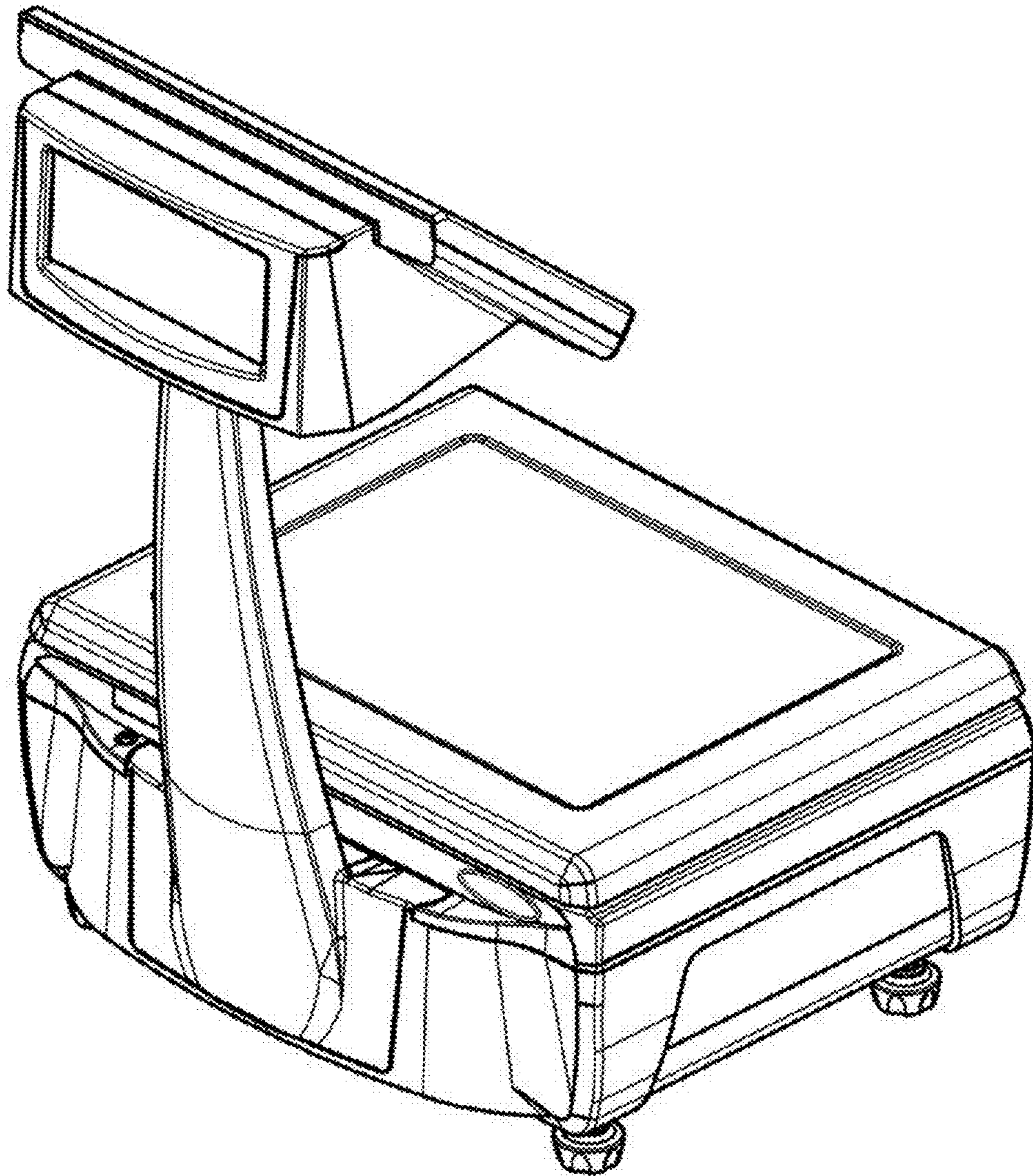


FIG. 23

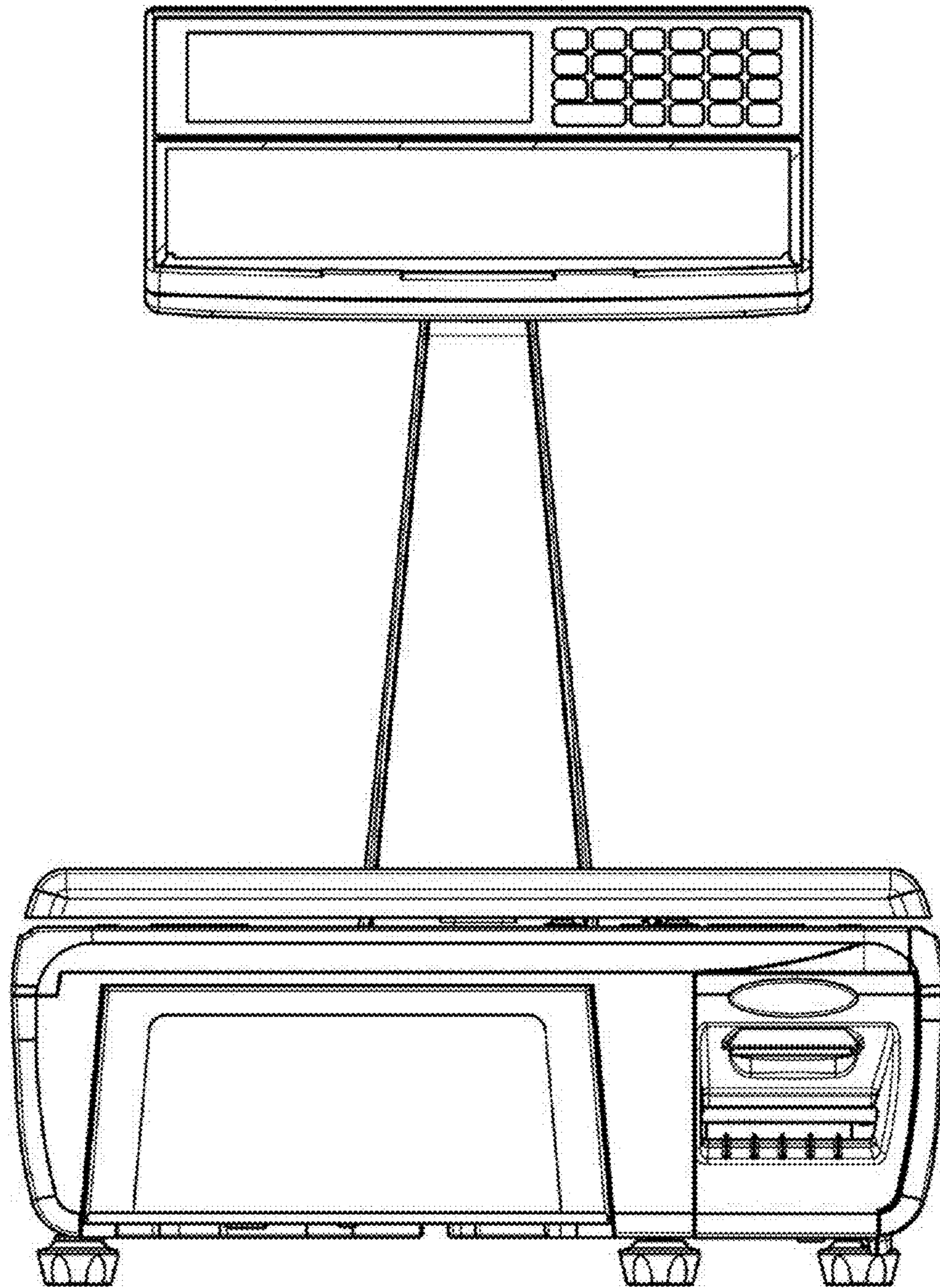


FIG. 24

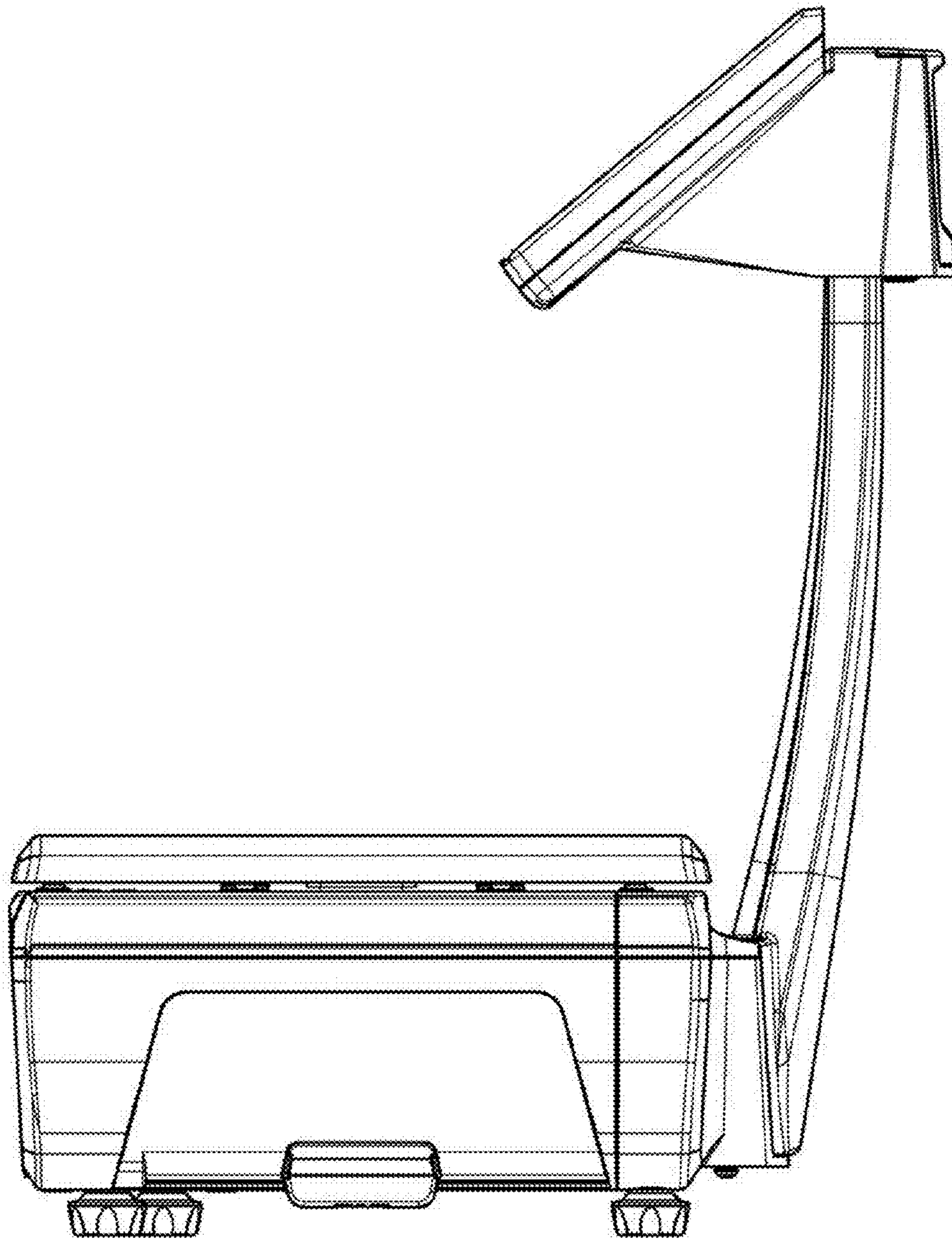


FIG. 25

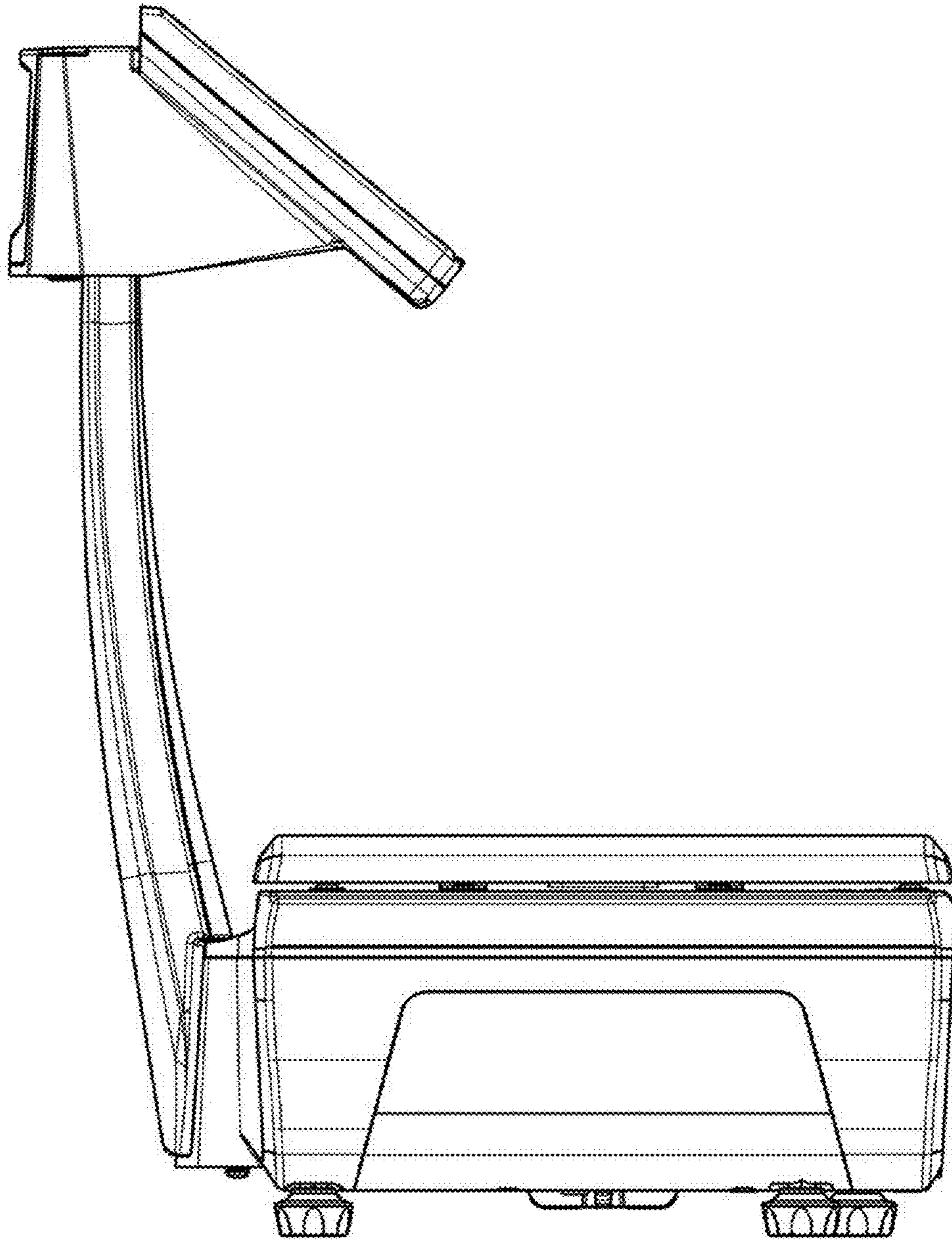


FIG. 26

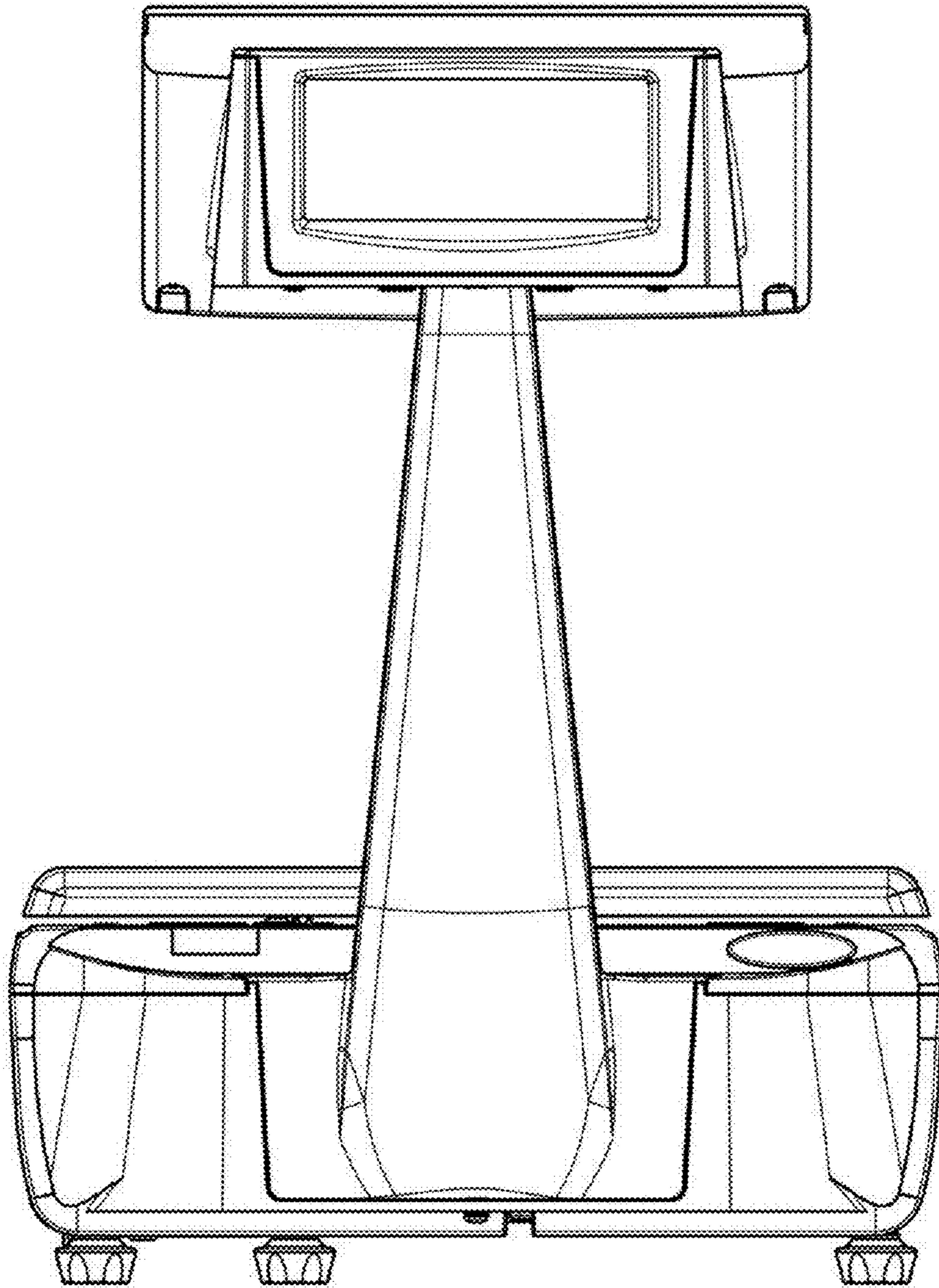


FIG. 27

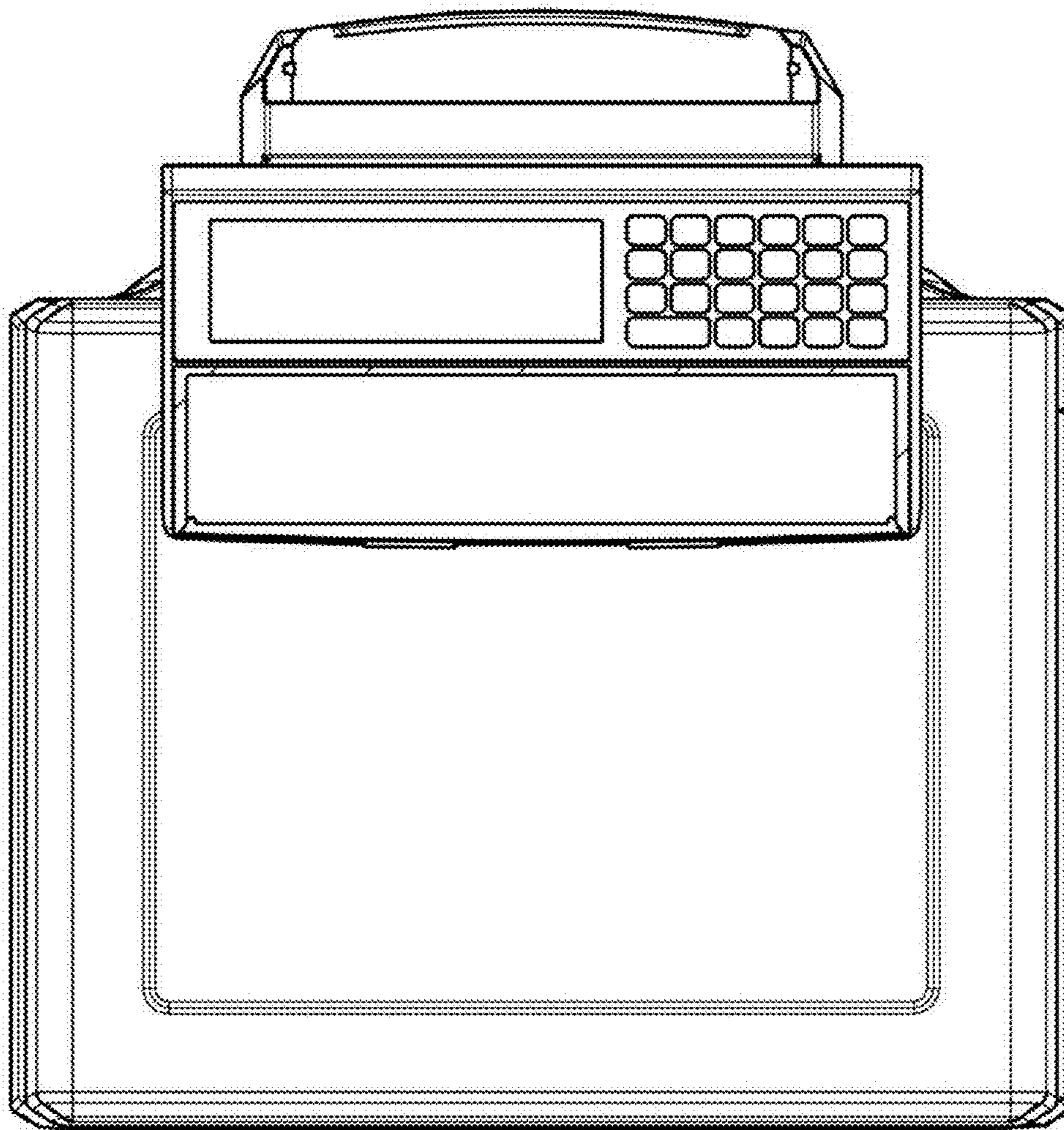


FIG. 28