

US00D743821S

(12) **United States Design Patent**
Memetaj

(10) **Patent No.:** **US D743,821 S**

(45) **Date of Patent:** **** Nov. 24, 2015**

(54) **PIPE MEASURING DEVICE**

(71) Applicant: **Burhan Memetaj**, St. Clair Shores, MI
(US)

(72) Inventor: **Burhan Memetaj**, St. Clair Shores, MI
(US)

(**) Term: **14 Years**

(21) Appl. No.: **29/495,182**

(22) Filed: **Jun. 27, 2014**

(51) **LOC (10) Cl.** **10-04**

(52) **U.S. Cl.**
USPC **D10/71**

(58) **Field of Classification Search**
USPC D10/71
CPC G01B 11/02; F16L 1/11; F16L 59/022;
F16L 59/143; F16L 59/16; Y10T 428/14;
Y10T 138/01; Y10T 29/513; Y10T 137/4606;
Y10T 137/7036

See application file for complete search history.

(56) **References Cited**

U.S. PATENT DOCUMENTS

2,449,265 A	9/1948	Williams
4,416,309 A	11/1983	Salim
4,701,869 A	10/1987	Callegari, Sr. et al.
5,144,330 A	9/1992	Bennett
5,179,896 A	1/1993	Copeland

5,184,152 A	2/1993	French	
D454,512 S	3/2002	Dole	
D494,485 S	8/2004	Schiene et al.	
6,843,279 B1 *	1/2005	Ungemah	138/149
D579,358 S	10/2008	Memetaj	
2007/0044329 A1 *	3/2007	Mitchell et al.	33/1 E

* cited by examiner

Primary Examiner — Antoine D Davis

(74) *Attorney, Agent, or Firm* — Crossley Patent Law

(57) **CLAIM**

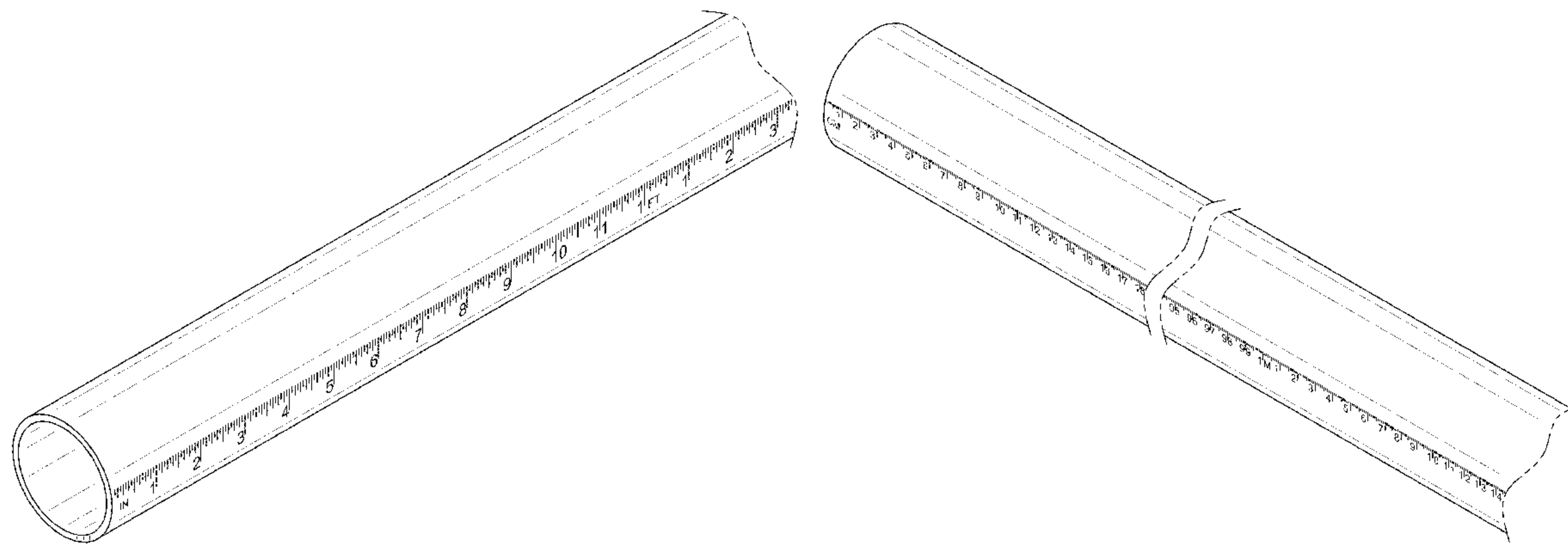
The ornamental design for a pipe measuring device, as shown and described.

DESCRIPTION

FIG. 1 is a front elevation view of a pipe measuring device showing my new design;
FIG. 2 is a rear elevation view thereof;
FIG. 3 is a right side elevation view thereof, the opposite side being a mirror image of the shown;
FIG. 4 is a top plan view thereof;
FIG. 5 is a bottom plan view thereof;
FIG. 6 is an isometric front view thereof; and,
FIG. 7 is an isometric rear view thereof.

The article is shown with a symbolic break in its length and width. The appearance of any portion of the article between the break lines forms no part of the claimed design.

1 Claim, 4 Drawing Sheets



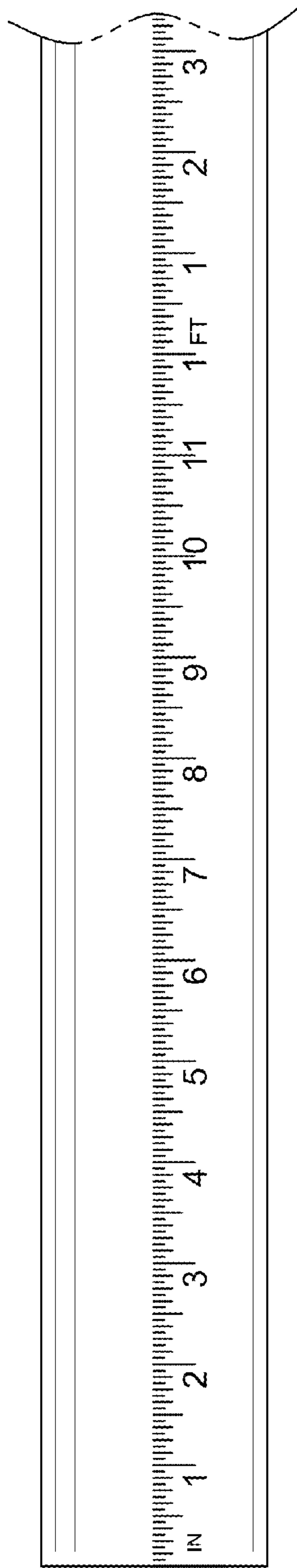


FIG. 1

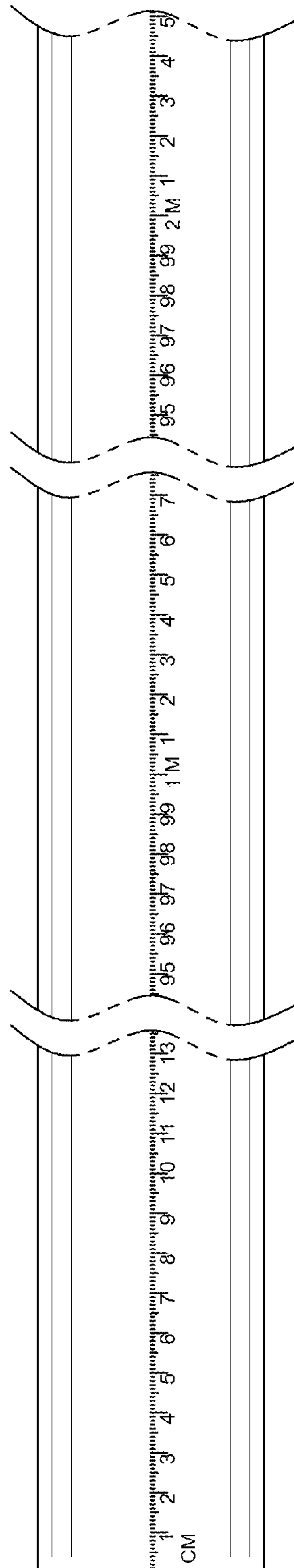


FIG. 2

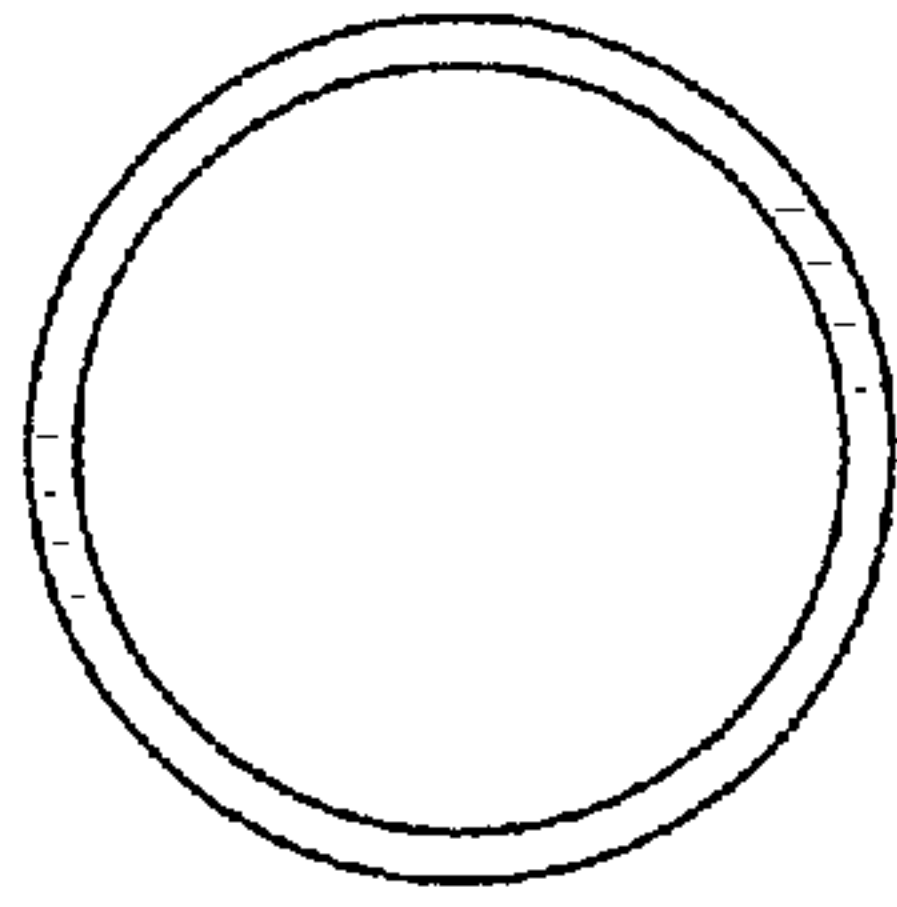


FIG. 3

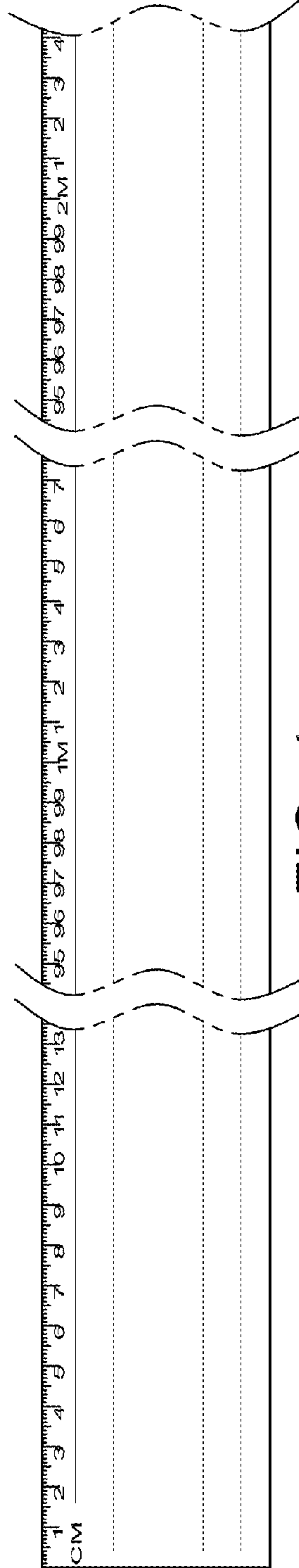


FIG. 4

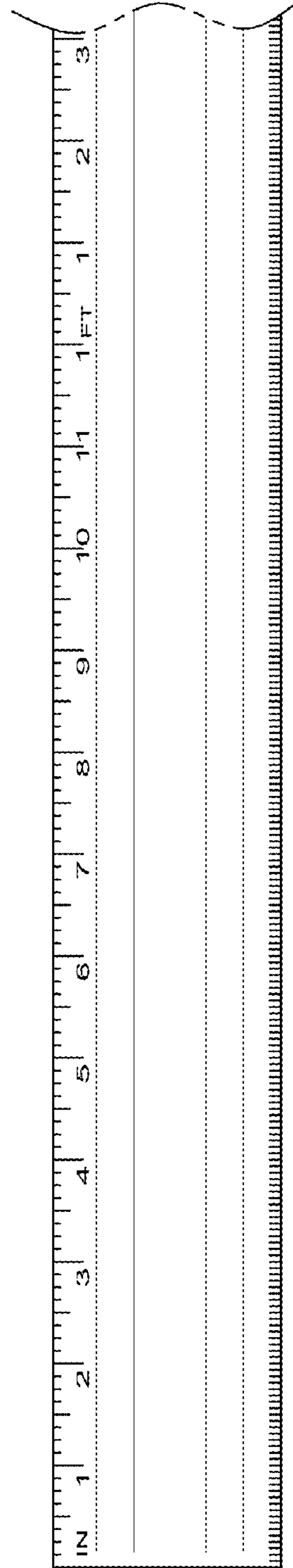


FIG. 5

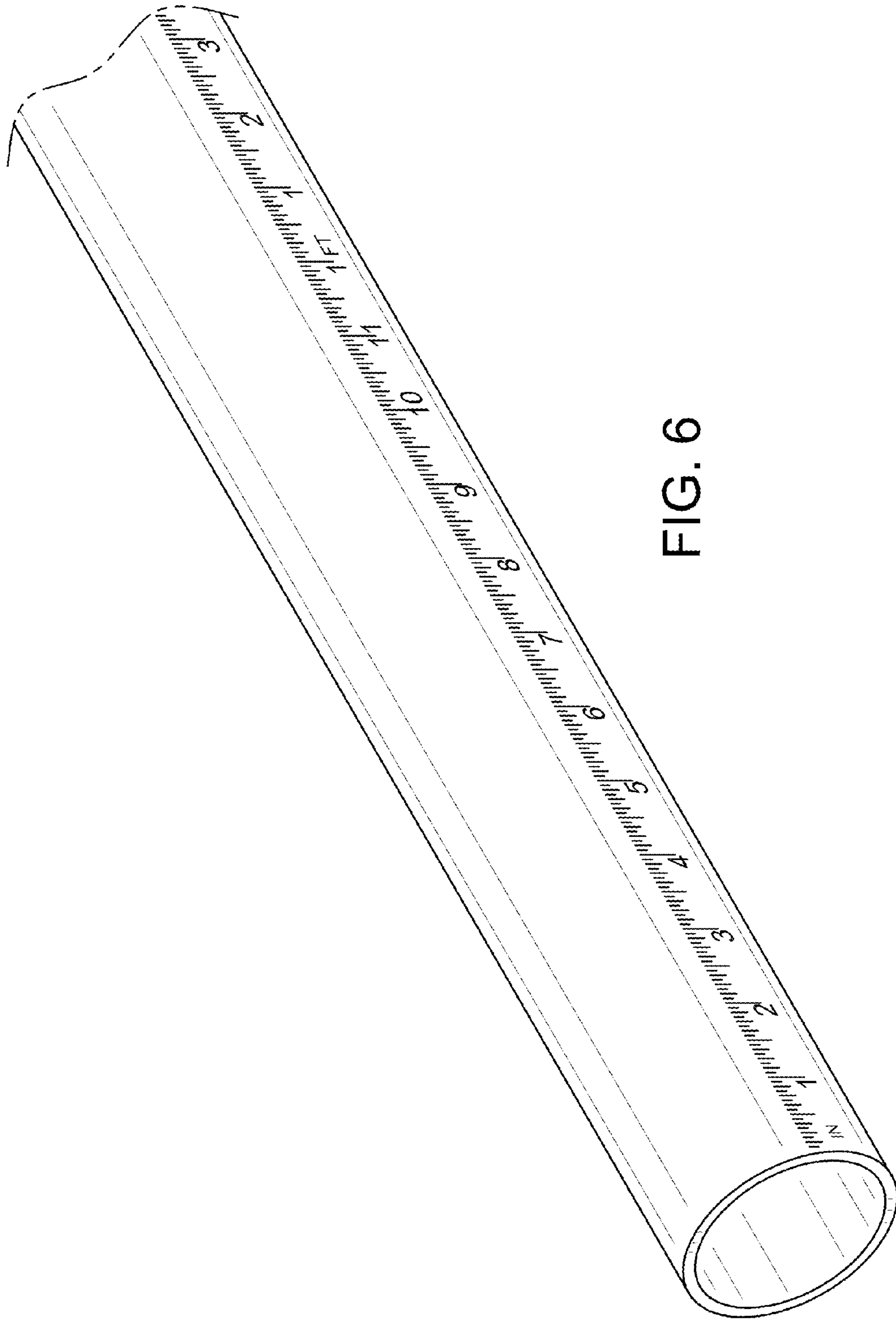


FIG. 6

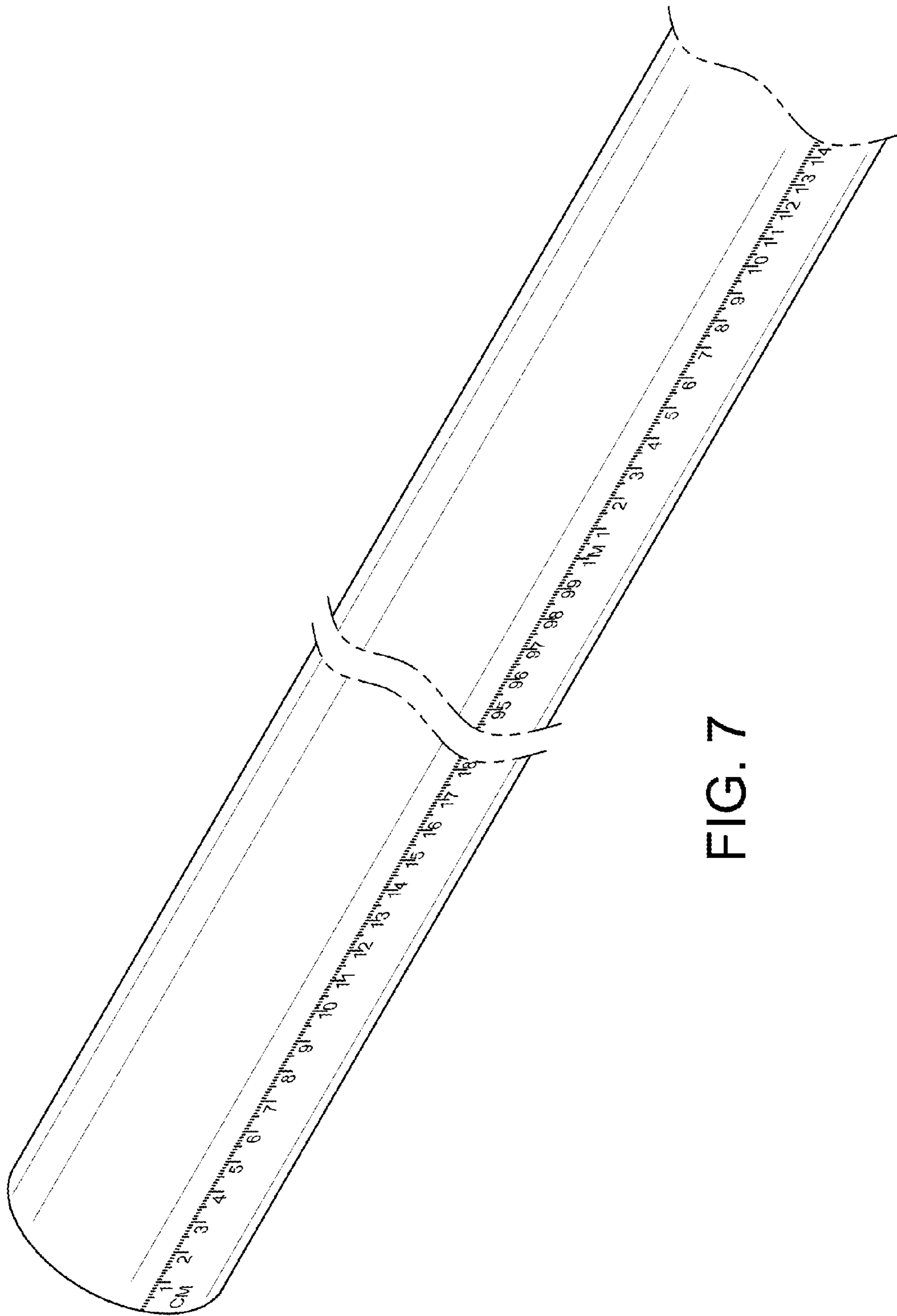


FIG. 7