



US00D743820S

(12) **United States Design Patent**  
**Song**

(10) **Patent No.:** **US D743,820 S**

(45) **Date of Patent:** **\*\* Nov. 24, 2015**

(54) **ELECTRONIC DEVICE**

(71) Applicant: **Samsung Electronics Co., Ltd.**,  
Suwon-si (KR)

(72) Inventor: **Jun Yong Song**, Seongnam-si (KR)

(73) Assignee: **Samsung Electronics Co., Ltd.**,  
Suwon-si (KR)

(\*\*) Term: **14 Years**

(21) Appl. No.: **29/523,960**

(22) Filed: **Apr. 15, 2015**

**Related U.S. Application Data**

(63) Continuation of application No. 29/498,729, filed on  
Aug. 7, 2014, now Pat. No. Des. 730,210.

(30) **Foreign Application Priority Data**

Feb. 22, 2014 (KR) ..... 30-2014-0009043

(51) **LOC (10) Cl.** ..... **10-04**

(52) **U.S. Cl.**  
USPC ..... **D10/70**; D10/30; D10/98; D10/65;  
D14/344; D24/167

(58) **Field of Classification Search**  
USPC ..... D10/30, 65, 70, 98, 31, 32, 38, 39, 128;  
D14/344, 226, 138 R, 480.3; D24/167,  
D24/186  
CPC ..... A44C 5/00-5/16; G04B 37/00-37/228;  
G04B 45/0069; G04B 47/04; G04B  
19/00-19/34; G04B 21/12; G04B 23/12;  
G04B 47/00-47/068; G01C 17/00; G01C  
21/00-21/3697  
See application file for complete search history.

(56) **References Cited**

U.S. PATENT DOCUMENTS

D243,930 S	4/1977	Cruse	
D266,230 S	9/1982	Tsukahara	
D267,548 S	1/1983	Wada	
D295,264 S	4/1988	Takeichi	
D299,028 S	* 12/1988	Hermann	..... D14/344
D299,718 S	2/1989	Steer et al.	
D305,422 S	1/1990	Steer et al.	
D331,020 S	11/1992	Ishii et al.	
D355,132 S	* 2/1995	Williams	..... D10/32
D361,723 S	8/1995	Nanayakkara	
D366,036 S	1/1996	Houlihan	

(Continued)

OTHER PUBLICATIONS

Will Shanklin. "2013 Smartwatch Comparison Guide". [2013].  
www.gizmag.com. Nov. 25, 2013, <<http://www.gizmag.com/smartwatch-comparison-2013/29917>>.

(Continued)

*Primary Examiner* — Antoine D Davis

(74) *Attorney, Agent, or Firm* — NSIP Law

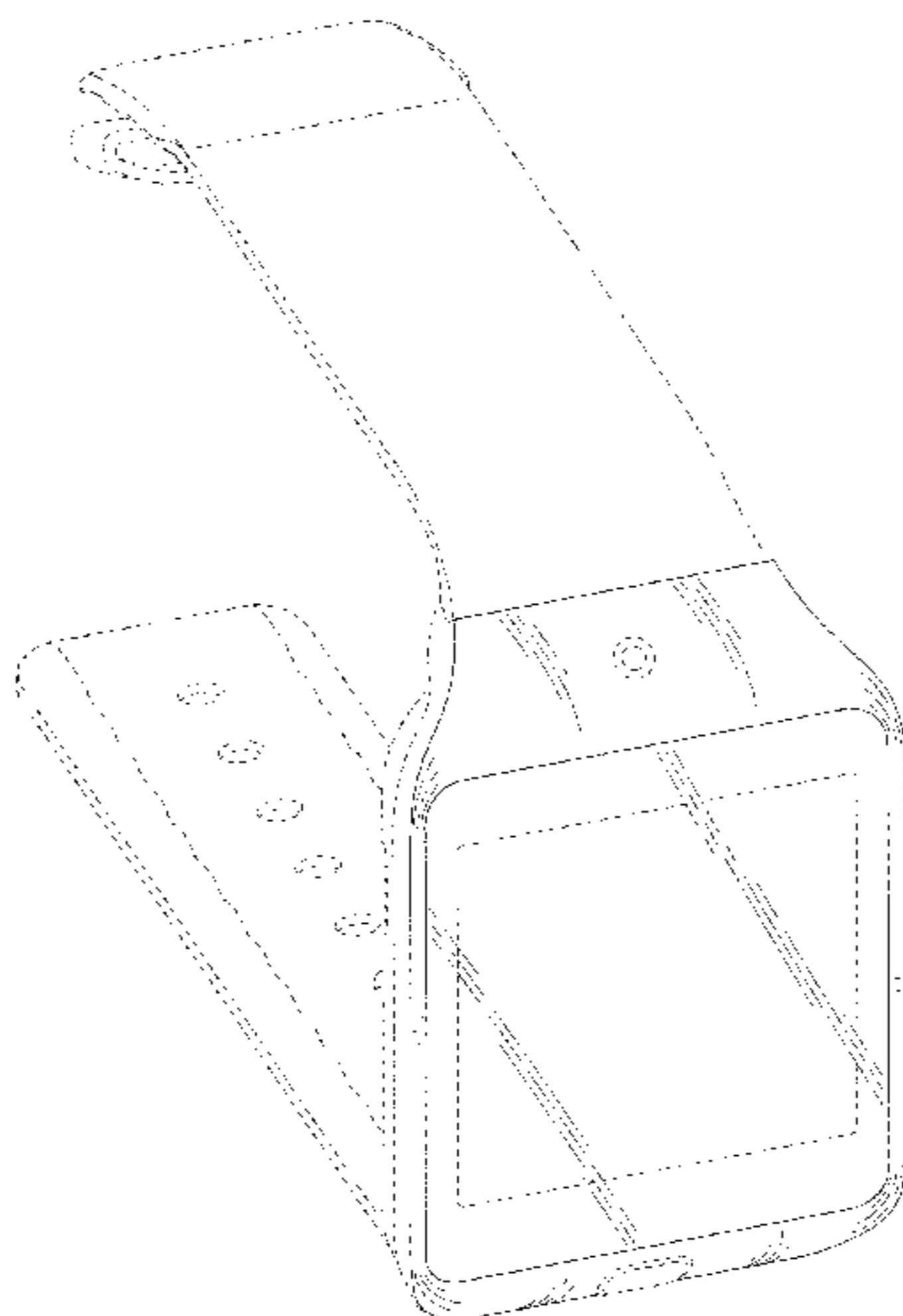
(57) **CLAIM**

I claim the ornamental design for an electronic device, as  
shown and described.

**DESCRIPTION**

FIG. 1 is a front perspective view of an electronic device  
showing my new design;  
FIG. 2 is a front view thereof;  
FIG. 3 is a rear view thereof;  
FIG. 4 is a left-side view thereof;  
FIG. 5 is a right-side view thereof;  
FIG. 6 is a top view thereof; and,  
FIG. 7 is a bottom view thereof.  
The broken line showing of structural features is included for  
the purpose of illustrating non-claimed subject matter and  
forms no part of the claimed design.  
The broken lines in the figures show portions of the electronic  
device which form no part of the claimed design.

**1 Claim, 7 Drawing Sheets**



(56)

References Cited

U.S. PATENT DOCUMENTS

D383,985 S 9/1997 Davenport  
 D401,159 S 11/1998 Sugita et al.  
 D446,130 S \* 8/2001 Nakanishi ..... D10/38  
 D455,093 S 4/2002 Fitzgerald  
 D459,352 S \* 6/2002 Giovanniello ..... D14/402  
 D463,296 S \* 9/2002 Sanomi ..... D10/39  
 D488,072 S 4/2004 Gensini  
 D523,769 S 6/2006 Arlanda  
 D528,439 S 9/2006 Burton  
 D528,441 S 9/2006 Burton  
 D528,927 S 9/2006 Burton  
 D528,928 S 9/2006 Burton  
 D529,402 S 10/2006 Burton  
 D535,205 S \* 1/2007 Frederick et al. .... D10/104.1  
 D536,265 S 2/2007 Reynoso  
 D538,687 S 3/2007 Komulainen  
 D548,113 S 8/2007 Burton  
 D549,602 S 8/2007 Oberrieder et al.  
 D550,105 S 9/2007 Oberrieder et al.  
 D560,520 S 1/2008 Oberrieder et al.  
 D569,282 S 5/2008 Daniel  
 D573,905 S 7/2008 Poirier  
 D589,374 S 3/2009 Tang  
 D589,375 S \* 3/2009 Tang ..... D10/32  
 D596,610 S \* 7/2009 Hou ..... D14/144  
 D610,476 S 2/2010 Daniel  
 D621,808 S 8/2010 Kim  
 D626,551 S \* 11/2010 Julien ..... D14/341  
 D637,918 S \* 5/2011 Cobbett et al. .... D10/31  
 D645,360 S 9/2011 Kiser et al.  
 D655,497 S \* 3/2012 Stanley ..... D3/218  
 D667,126 S 9/2012 Cho et al.  
 8,275,327 B2 \* 9/2012 Yi et al. .... 455/90.3  
 D670,583 S 11/2012 Shaanan

D672,255 S \* 12/2012 Zanella et al. .... D10/32  
 D672,667 S 12/2012 Mix  
 8,407,910 B2 \* 4/2013 Ewans ..... 33/810  
 D693,251 S 11/2013 Anderssen et al.  
 D701,504 S \* 3/2014 Christopher et al. .... D14/344  
 D703,069 S 4/2014 Adams et al.  
 D709,476 S 7/2014 Park et al.  
 D719,123 S 12/2014 Park et al.  
 D720,074 S \* 12/2014 Suvilaakso et al. .... D24/167  
 8,942,070 B1 \* 1/2015 Shah ..... 368/224  
 D724,556 S 3/2015 Choi et al.  
 D725,072 S 3/2015 Kim et al.  
 D725,497 S 3/2015 Henne et al.  
 D729,238 S \* 5/2015 Song ..... D14/344  
 D730,210 S \* 5/2015 Song ..... D10/70  
 D731,482 S \* 6/2015 Song ..... D14/344  
 D732,022 S \* 6/2015 Song ..... D14/344

OTHER PUBLICATIONS

Samsung. "Samsung Gear 2 Neo Charcoal Black". [2014]. www.samsung.com. <<http://www.samsung.com/us/mobile/wearable-tech/SM-R3810ZKAXAR>>.  
 Sunsbell. "Sunsbell Digital Smart Watch GV08 Touch Screen Smartwatch Bluetooth Sport Bracelet Android Samsung". [2014]. www.amazon.com. <<http://www.amazon.com/Sunsbell-Digital-Smartwatch-Bluetooth-Bracelet/dp/B00O7HD5UE>>.  
 Atongm. "Atongm 2014 Luxury Bluetooth 3.0 Smart Watch Wrist Wrap Watch Phone for IOS Apple iphone 4/4S/5/5C/5S Android Samsung S2/S3/S4/Note 2/Note 3 HTC Nokia Brown". [2014]. www.fitgag.com. <<http://fitgag.com/product/atongm-2014-luxury-bluetooth3-0-smart-watch-wrist-wrap-watch-phone-for-ios-apple-iphone-44s55c5s-android-samsung-s2s3s4note-2note-3-htc-nokia-brown/>>.

\* cited by examiner

FIG. 1

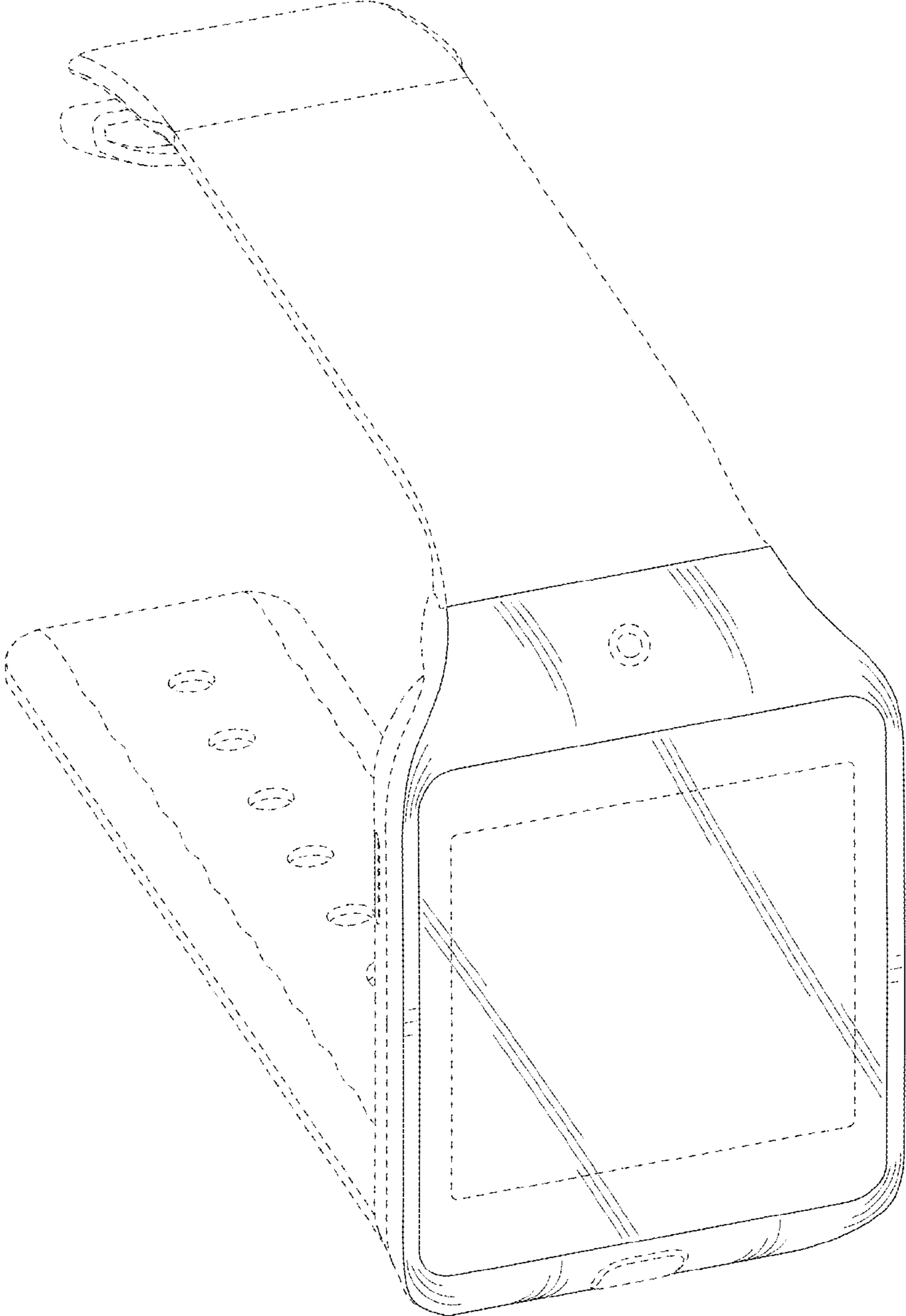


FIG. 2

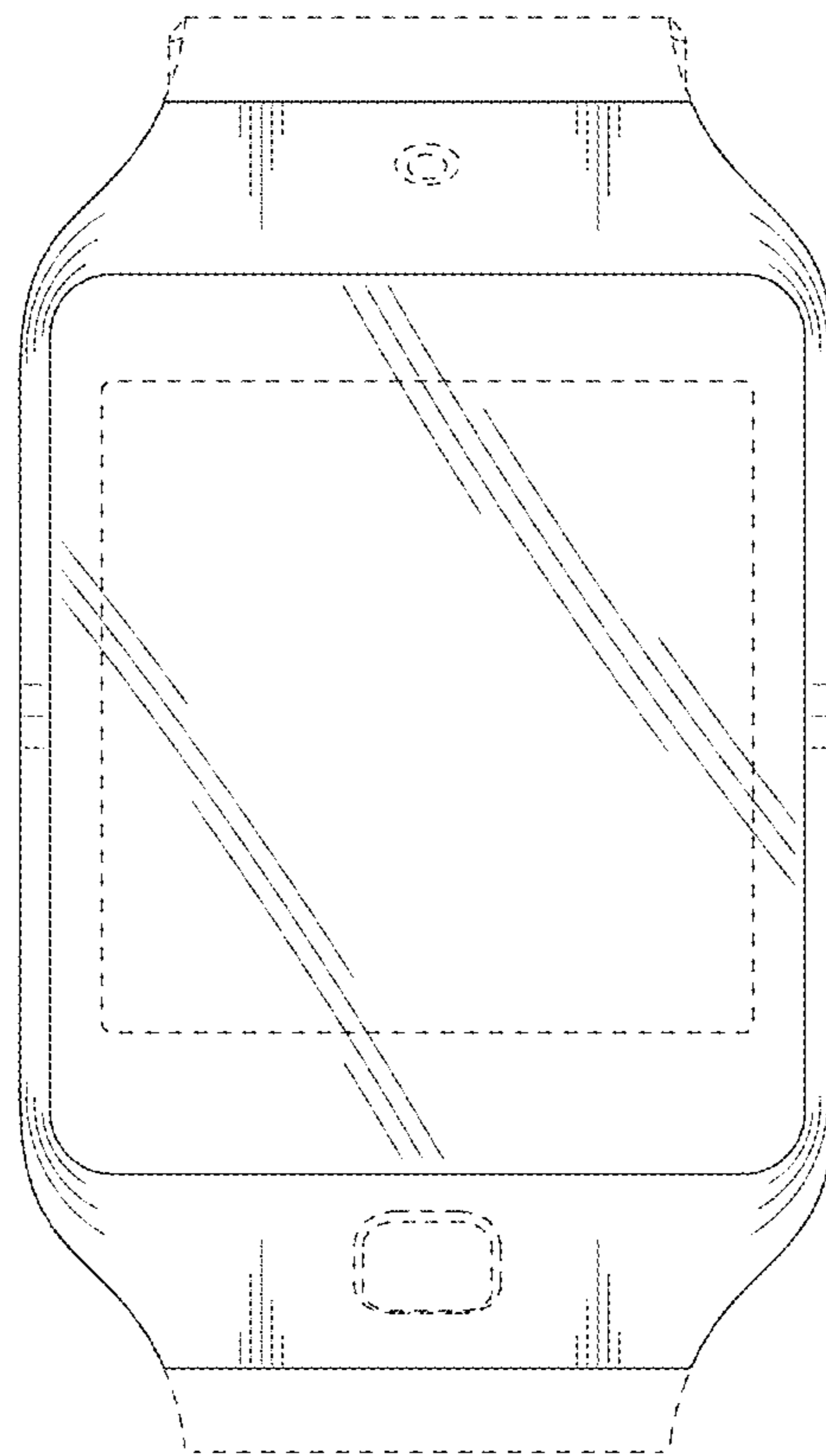


FIG. 3

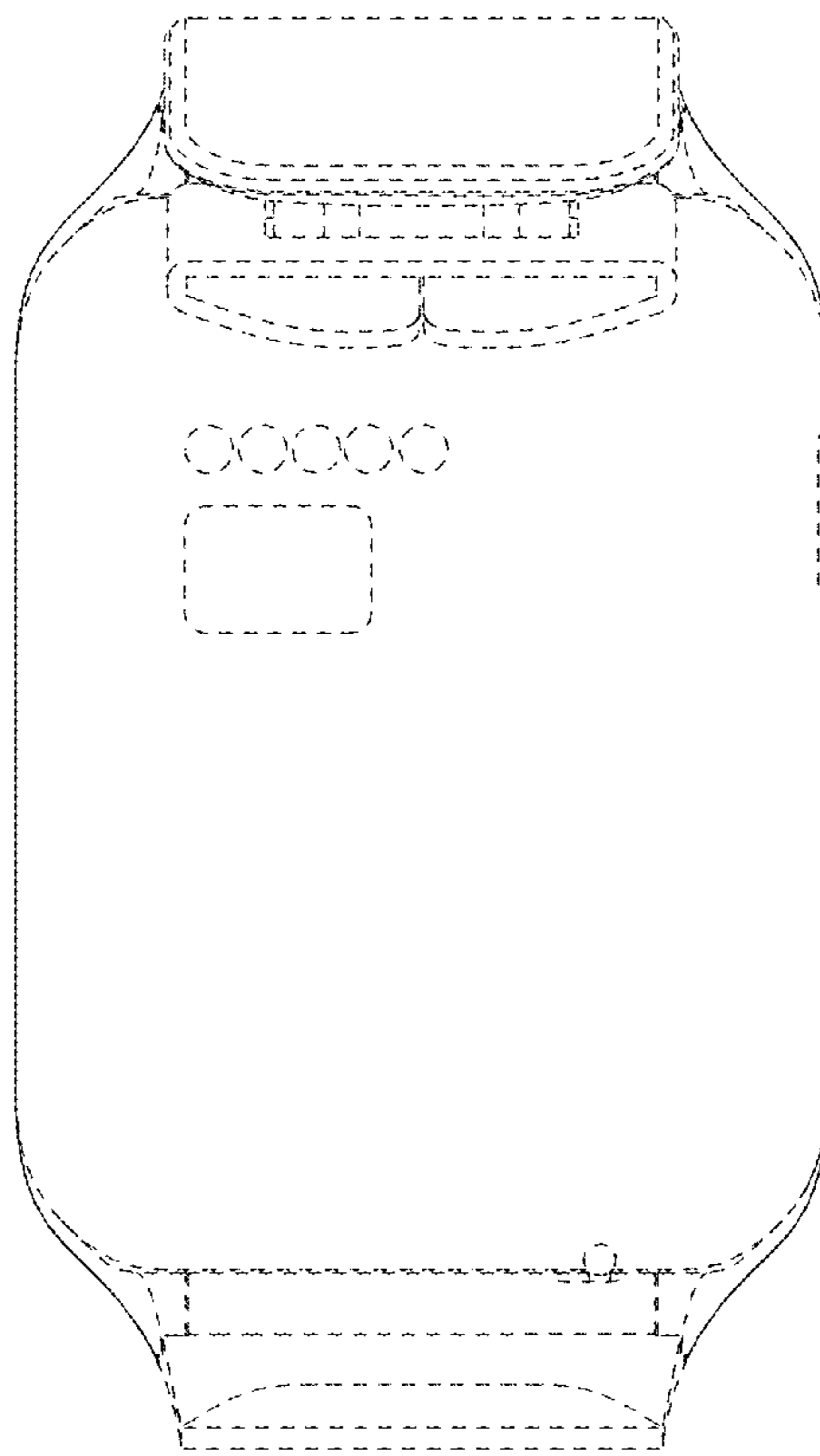


FIG. 4

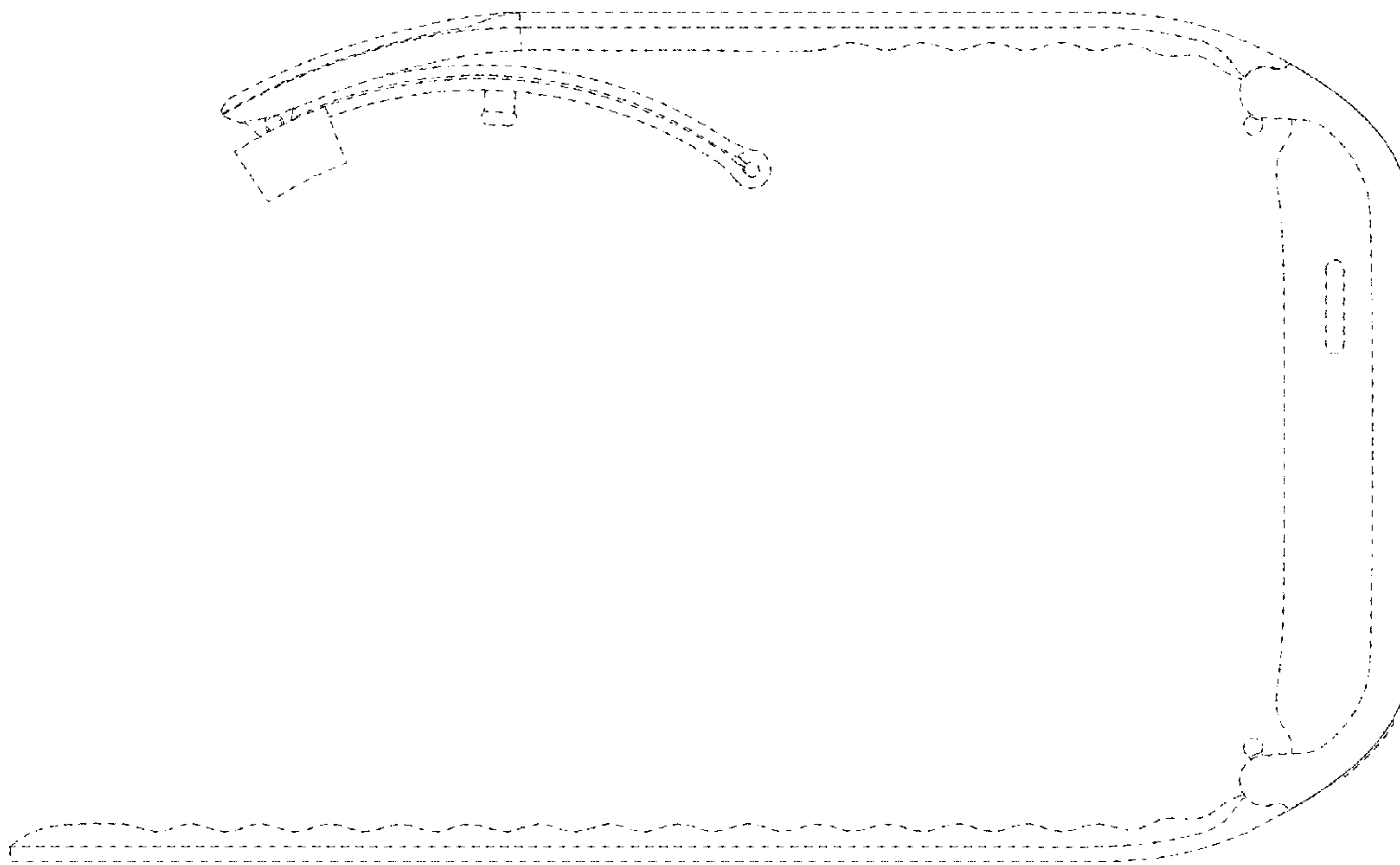


FIG. 5

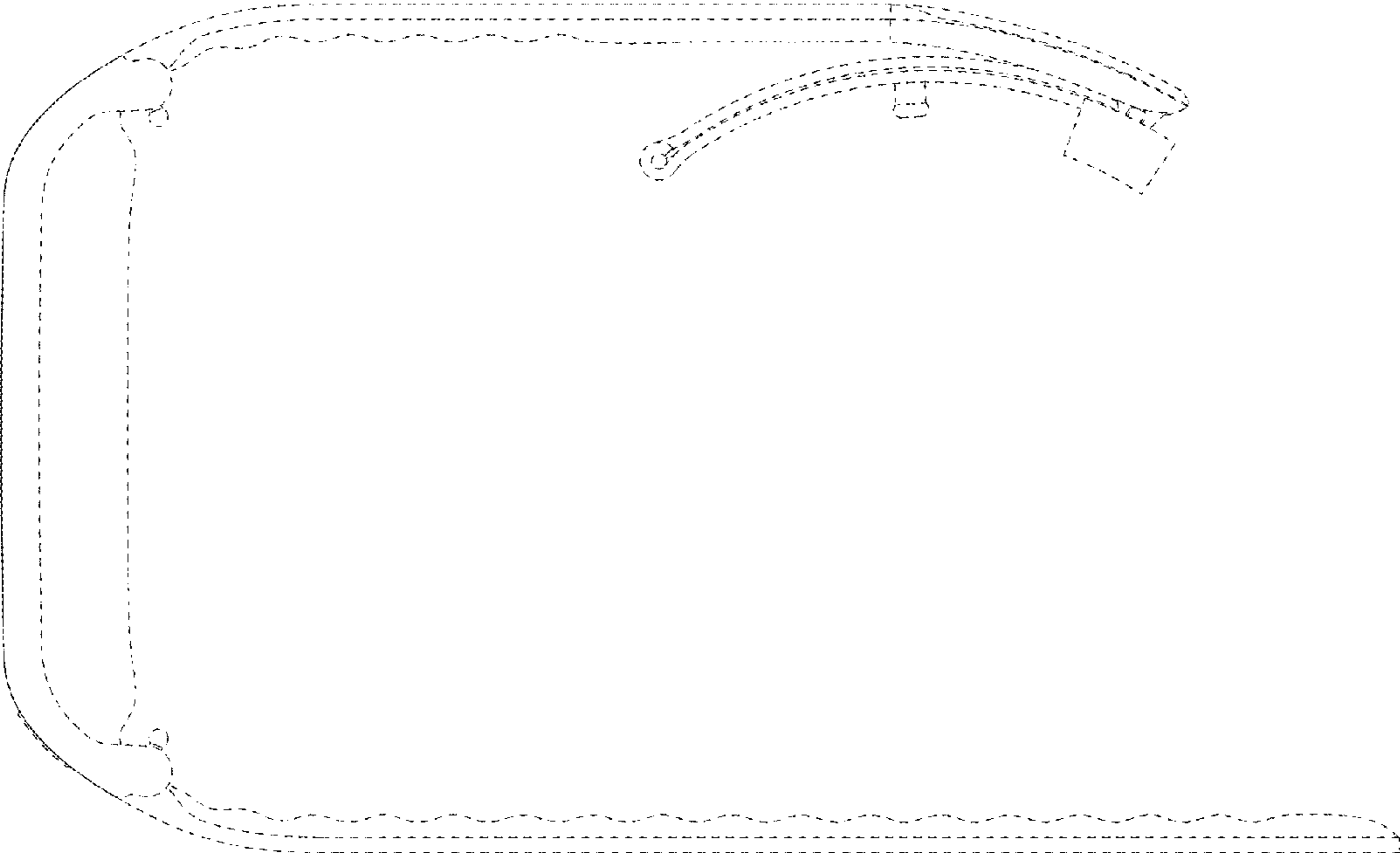


FIG. 6

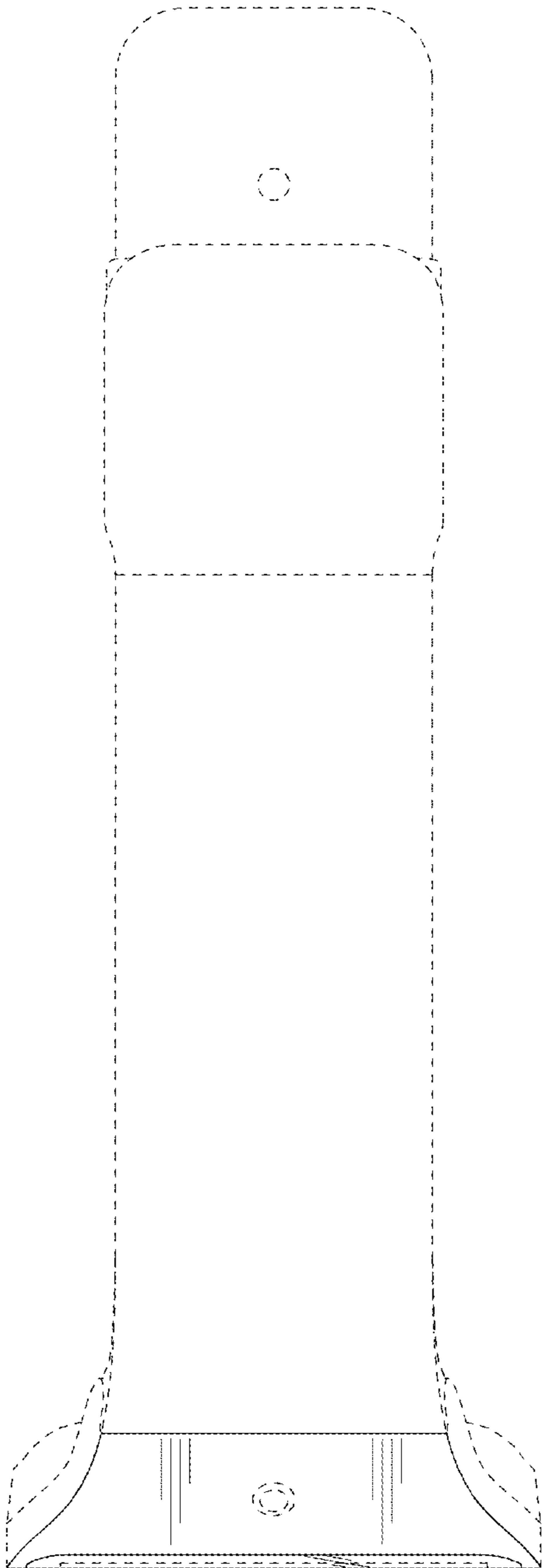




FIG. 7

