



US00D743819S

(12) **United States Design Patent**  
**Golnik et al.**

(10) **Patent No.:** **US D743,819 S**

(45) **Date of Patent:** **\*\* Nov. 24, 2015**

(54) **ACTIVITY MONITORING DEVICE**

(71) Applicant: **Misfit Wearables Corporation**, Salem, NH (US)

(72) Inventors: **Tim Golnik**, San Francisco, CA (US);  
**James Toggweiler**, San Francisco, CA (US)

(73) Assignee: **Misfit Wearables Corporation**, Salem, NH (US)

(\*\*) Term: **14 Years**

(21) Appl. No.: **29/512,056**

(22) Filed: **Dec. 16, 2014**

(51) **LOC (10) Cl.** ..... **10-04**

(52) **U.S. Cl.**  
USPC ..... **D10/70**

(58) **Field of Classification Search**  
USPC ..... D10/30-39, 65, 70, 97, 98, 102, 103,  
D10/122-124, 126, 128; D11/3, 79-81, 85;  
D14/138 R, 203.5, 203.6, 341, 344,  
D14/347; D24/167, 168  
CPC ..... A44C 5/00-5/16; G04B 37/00-37/228;  
G04B 45/0069; G04B 47/04; G04B  
19/00-19/34; G04B 21/12; G04B 23/12;  
G04B 47/00-47/068; G01C 17/00; G01C  
21/00-21/3697

See application file for complete search history.

(56) **References Cited**

U.S. PATENT DOCUMENTS

3,744,236	A *	7/1973	Kishida	.....	368/226
D246,104	S *	10/1977	Vong	.....	D14/192
D249,874	S *	10/1978	Lawrence	.....	D10/38
D349,864	S *	8/1994	Dunlap et al.	.....	D11/3
D364,099	S *	11/1995	Bergeron	.....	D10/33
D417,236	S *	11/1999	Burrus	.....	D19/28
6,208,593	B1 *	3/2001	Liao	.....	368/232
D486,090	S *	2/2004	Thomson	.....	D10/123
7,134,784	B1 *	11/2006	Marin	.....	368/295
7,180,830	B1 *	2/2007	Cotsen	.....	368/80
D596,051	S *	7/2009	Mille	.....	D10/38
8,199,612	B2 *	6/2012	Jolidon	.....	368/223
D671,026	S *	11/2012	Thurau	.....	D10/126
8,400,883	B2 *	3/2013	Lin	.....	368/228
8,477,567	B2 *	7/2013	Greubel et al.	.....	368/220
D695,145	S *	12/2013	De Belder	.....	D10/126
D708,073	S *	7/2014	Parmigiani	.....	D10/38
D709,785	S *	7/2014	Stegmann	.....	D10/126

\* cited by examiner

*Primary Examiner* — Antoine D Davis  
(74) *Attorney, Agent, or Firm* — Cooley LLP

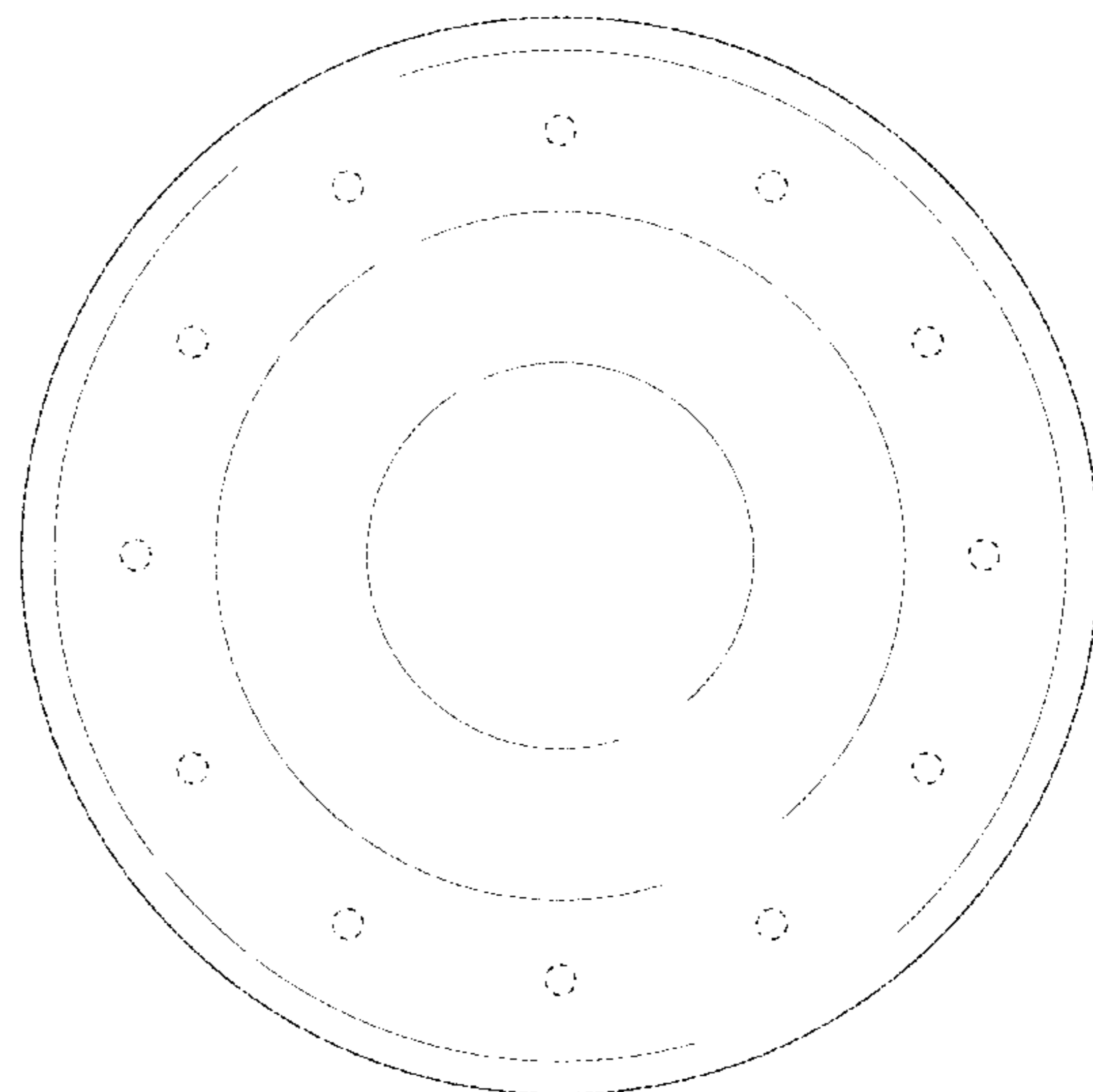
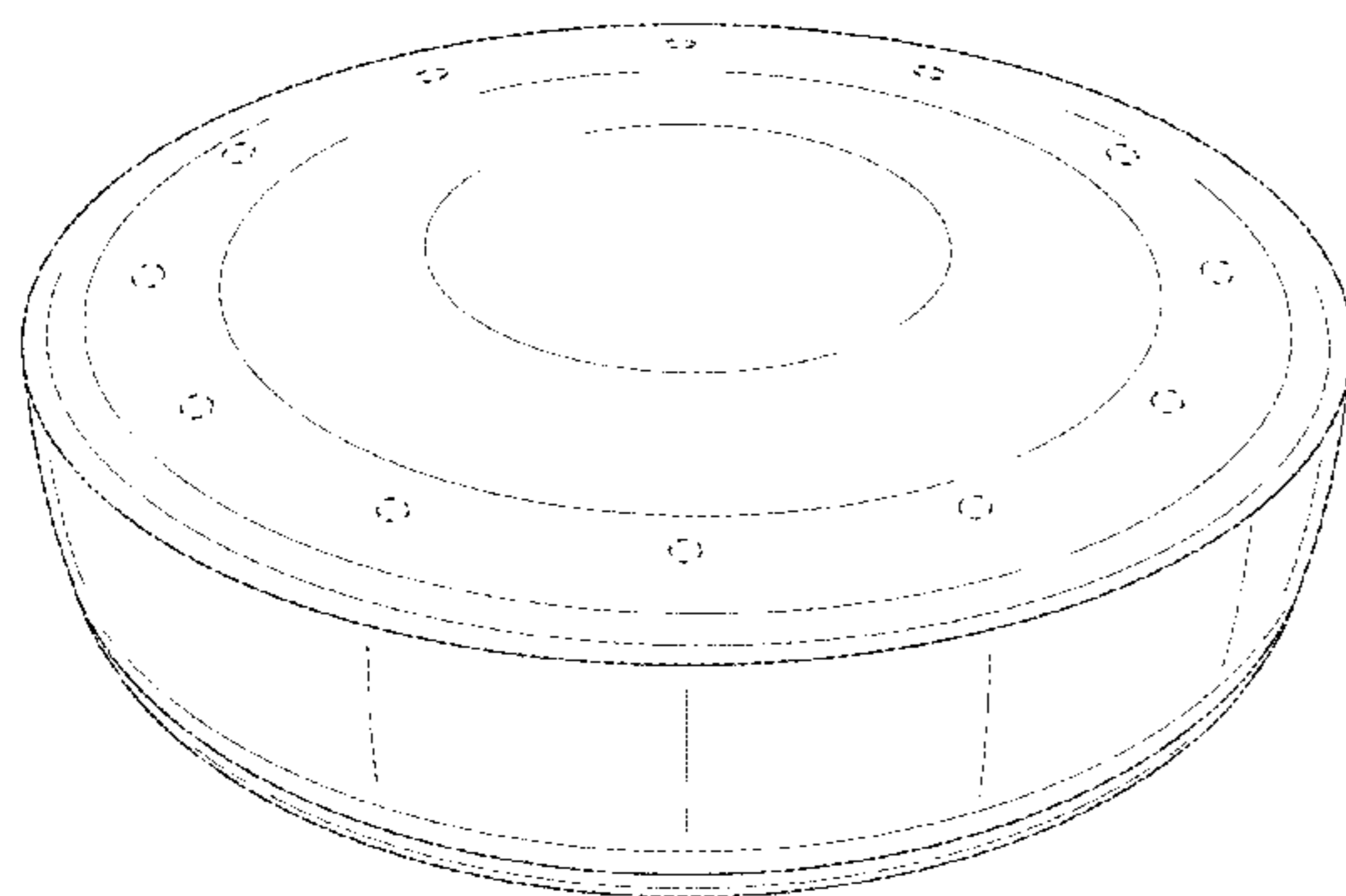
(57) **CLAIM**

The ornamental design for an activity monitoring device, as shown and described.

**DESCRIPTION**

FIG. 1A is a perspective view of a first embodiment thereof; FIG. 1B is a top view of the first embodiment thereof; FIG. 1C is a bottom view of the first embodiment thereof; and, FIG. 1D is a side view of the first embodiment thereof. All other broken lines are directed to environment and are for illustrative purposes only; the broken lines form no part of the claimed design.

**1 Claim, 4 Drawing Sheets**



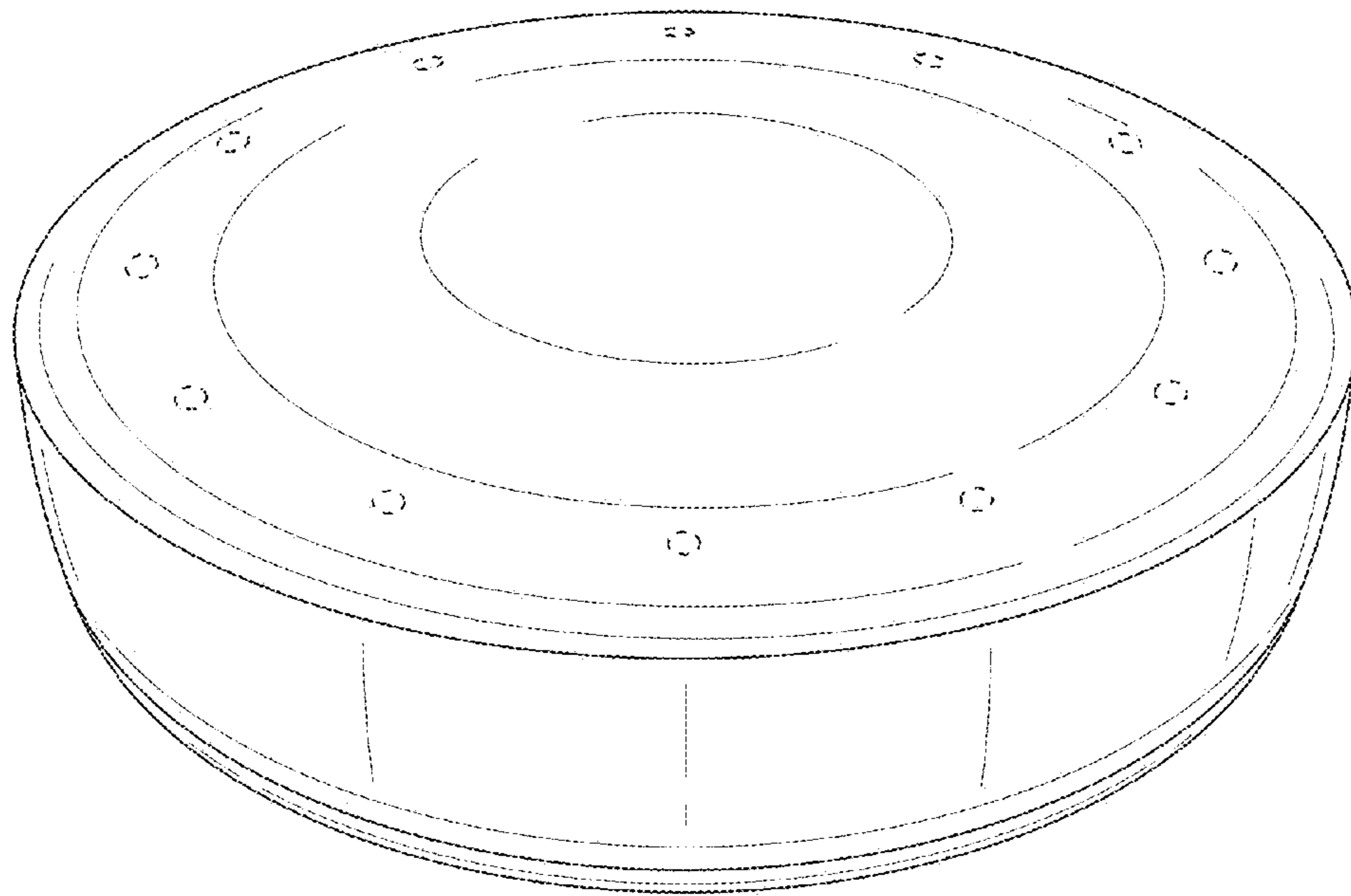


FIG.1A

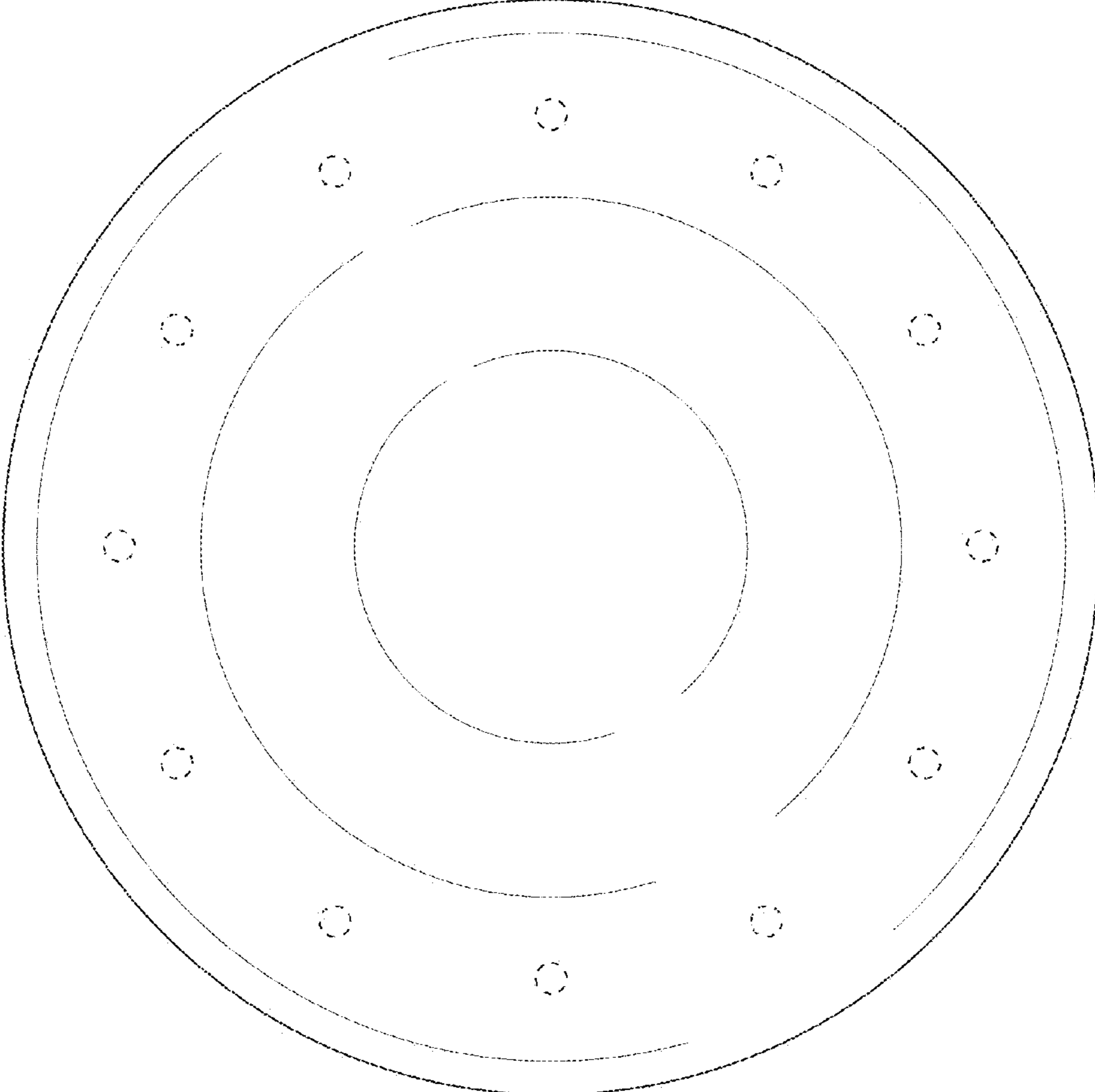


FIG.1B

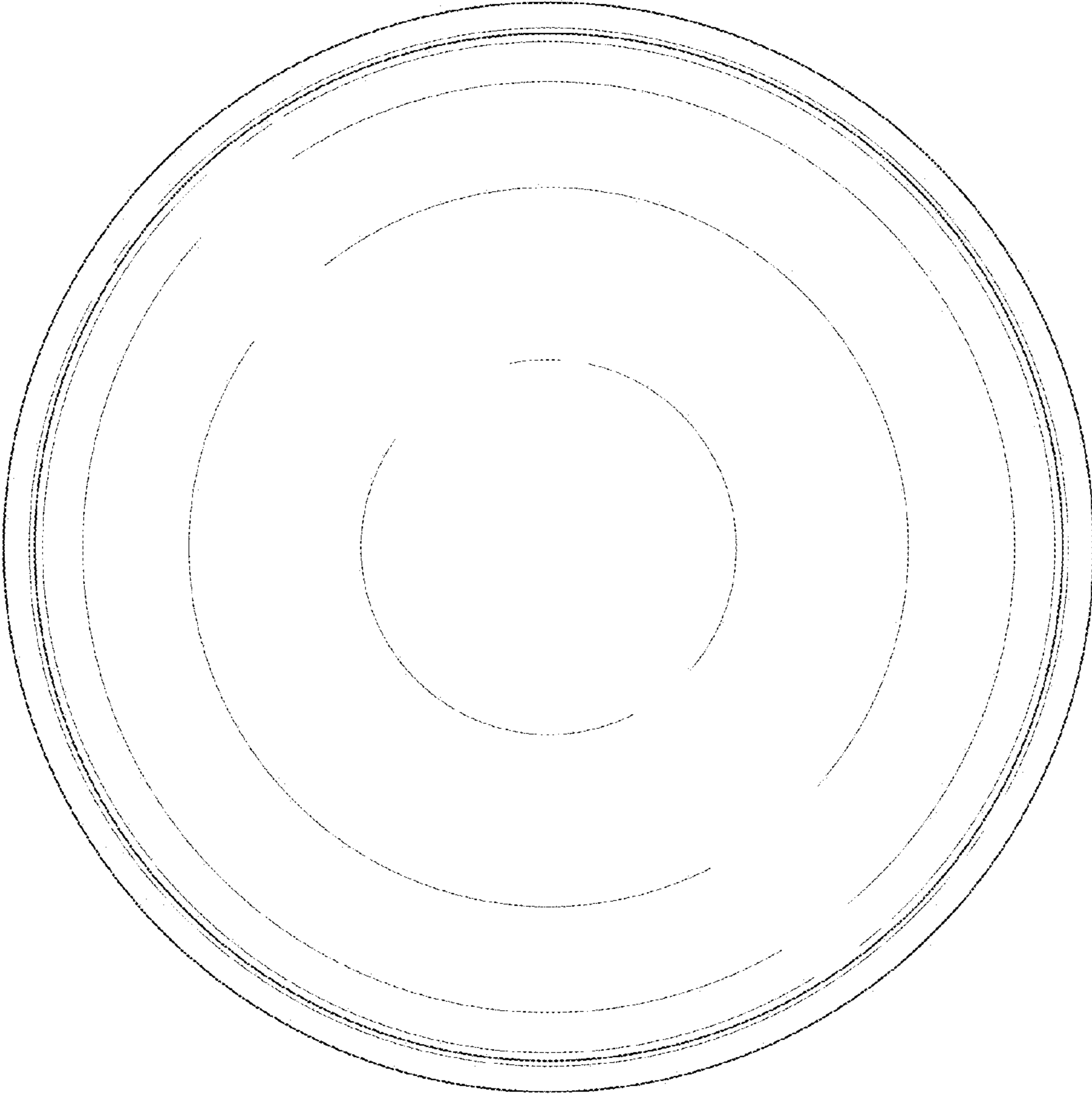


FIG. 1C

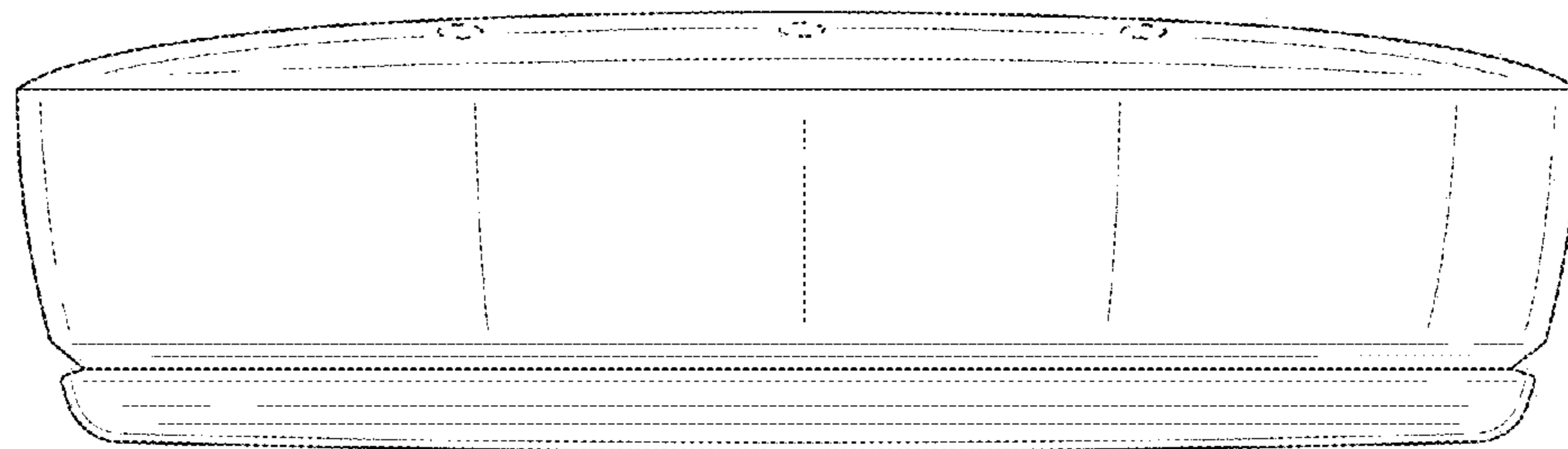


FIG. 1D