

US00D743818S

(12) **United States Design Patent**  
**Wojciechowski et al.**

(10) **Patent No.:** **US D743,818 S**  
(45) **Date of Patent:** **\*\* Nov. 24, 2015**

- (54) **BOX BEAM LEVEL**
- (71) Applicant: **Diamond Tech LLC**, Carson City, NV (US)
- (72) Inventors: **Timothy J. Wojciechowski**, Hubertus, WI (US); **William G. Johnson**, Mequon, WI (US); **Robert A. Johnson**, Mequon, WI (US); **John Dwyer**, Waukesha, WI (US)
- (73) Assignee: **Diamond Tech LLC**, Carson City, NV (US)
- (\*\*) Term: **14 Years**
- (21) Appl. No.: **29/513,325**
- (22) Filed: **Dec. 30, 2014**
- (51) **LOC (10) Cl.** ..... **10-04**
- (52) **U.S. Cl.**  
USPC ..... **D10/69**
- (58) **Field of Classification Search**  
USPC ..... D10/69  
CPC ..... G01C 9/24; G01C 9/26; G01C 9/28;  
G01C 9/30; G01C 9/32; G01C 9/34; G01C  
9/36  
See application file for complete search history.

D521,399 S	5/2006	Johnson et al.	
D555,523 S	11/2007	Nickel et al.	
D582,808 S *	12/2008	Cook .....	D10/69
7,509,749 B1 *	3/2009	Stefanko .....	33/451
D598,308 S *	8/2009	Gofer .....	D10/69
D598,309 S *	8/2009	Gofer .....	D10/69
D633,400 S	3/2011	Wojciechowski et al.	
D634,221 S	3/2011	Wojciechowski et al.	
D646,594 S *	10/2011	Allemant .....	D10/69
D646,595 S *	10/2011	Allemant .....	D10/69
D646,596 S *	10/2011	Allemant .....	D10/69
D656,425 S	3/2012	Wojciechowski et al.	
D730,207 S *	5/2015	Ben Josef et al. ....	D10/69
2006/0248738 A1 *	11/2006	Tran et al. ....	33/451

\* cited by examiner

*Primary Examiner* — Antoine D Davis  
(74) *Attorney, Agent, or Firm* — Boyle Fredrickson, S.C.

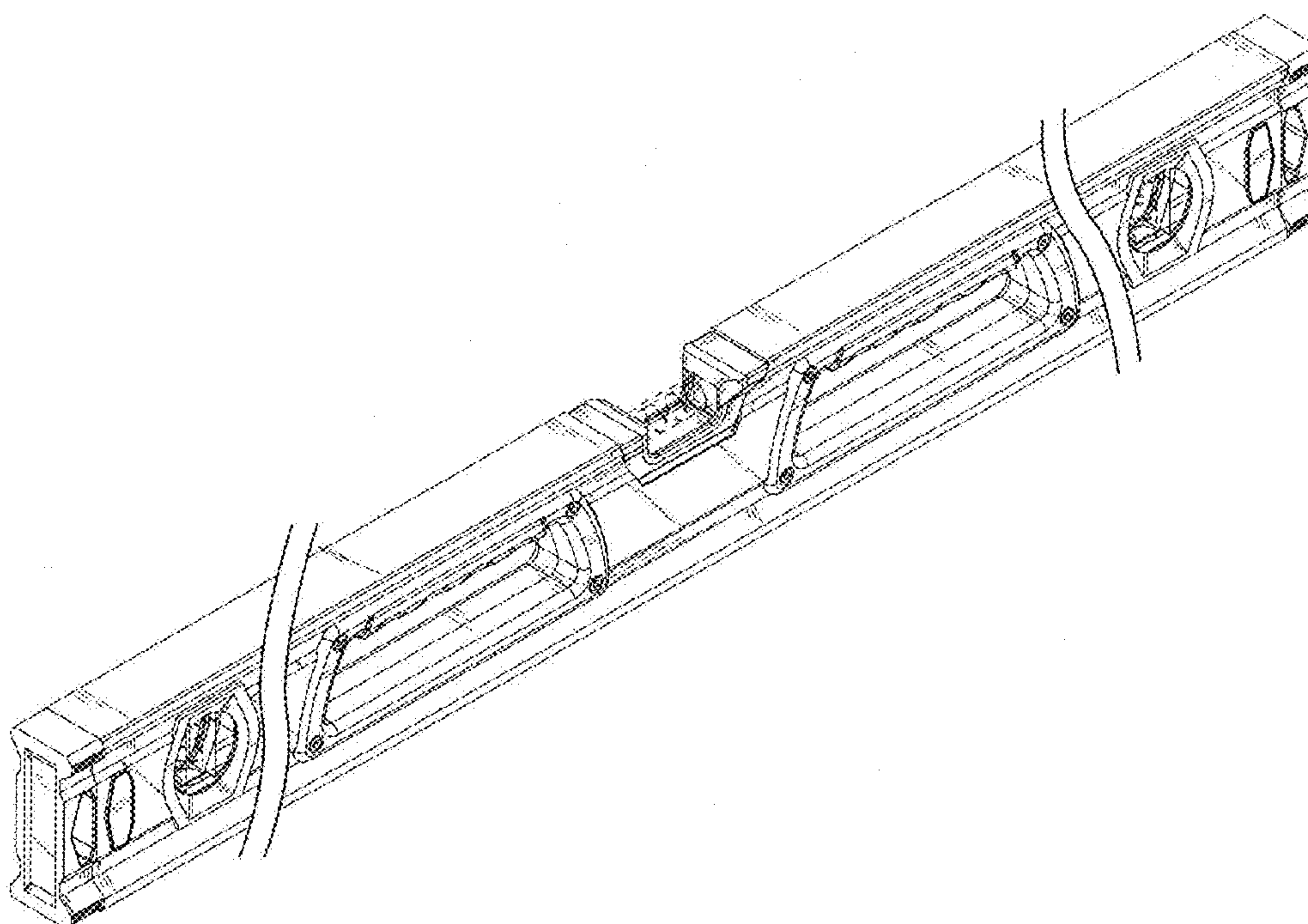
(57) **CLAIM**  
The ornamental design of an box beam level, as shown and described.

**DESCRIPTION**

FIG. 1 is an isometric view of a box beam level incorporating our new design, wherein the portions in phantom form no part of the claimed design and the article is shown with a symbolic break in its length. The appearance of any portion of the article between the break lines forms no part of the claimed design;  
FIG. 2 is a front elevation view thereof;  
FIG. 3 is a rear elevation view thereof,  
FIG. 4 is a top plan view thereof;  
FIG. 5 is a bottom plan view thereof; and,  
FIGS. 6 and 7 are end elevation views thereof.

**1 Claim, 4 Drawing Sheets**

- (56) **References Cited**  
U.S. PATENT DOCUMENTS  
D364,104 S 11/1995 Johnson  
D469,370 S 1/2003 Gruetzmacher et al.  
D493,737 S 8/2004 Nickel



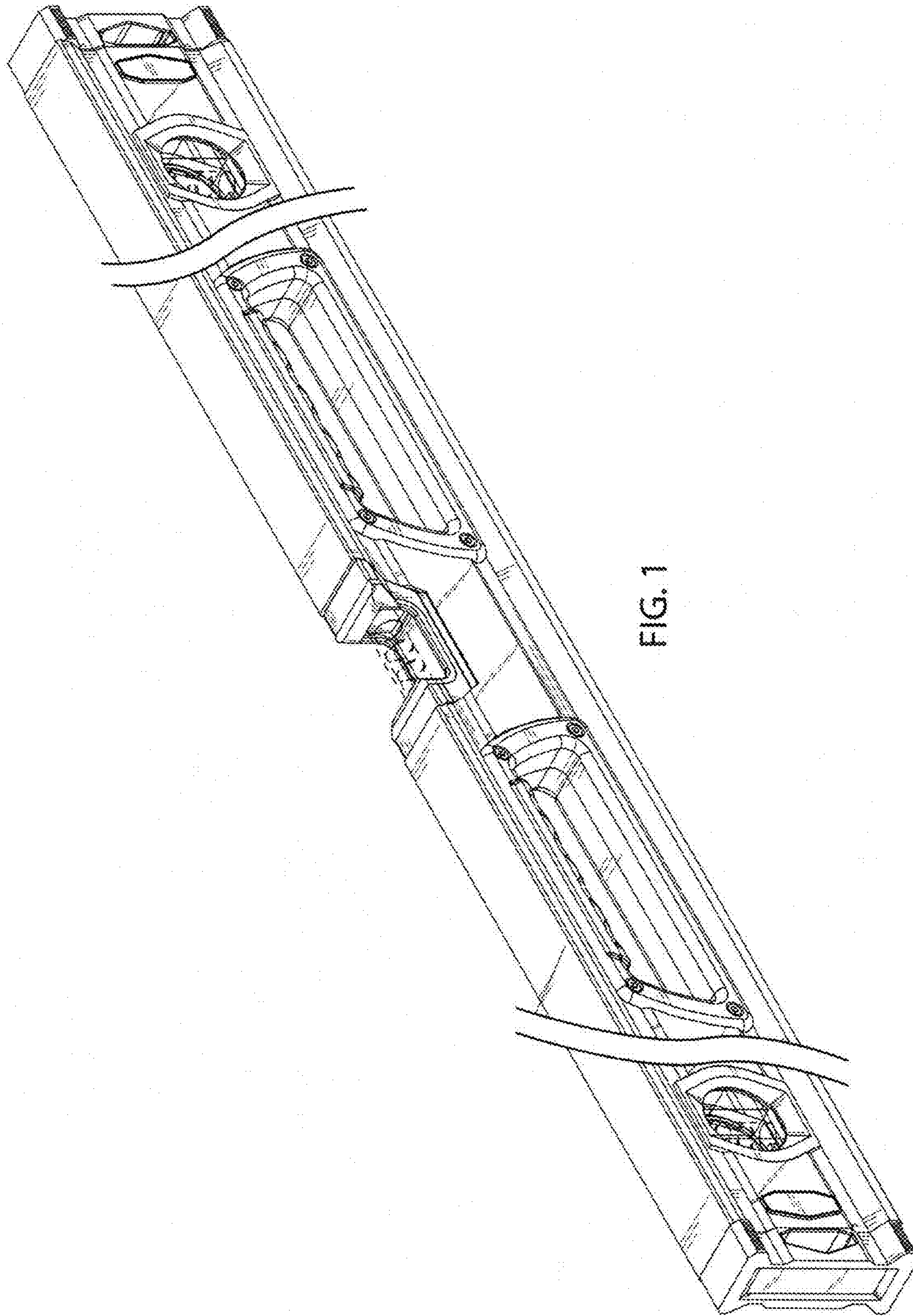


FIG. 1



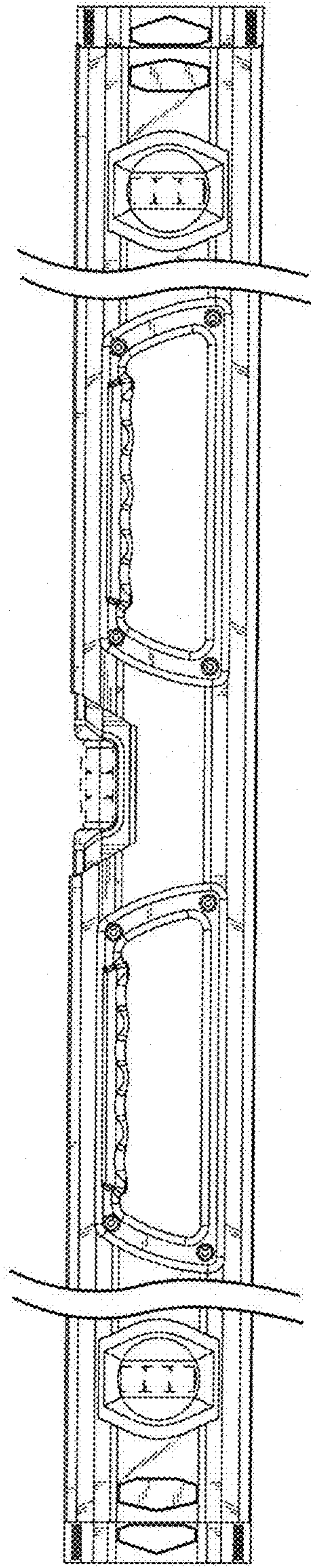


FIG. 2

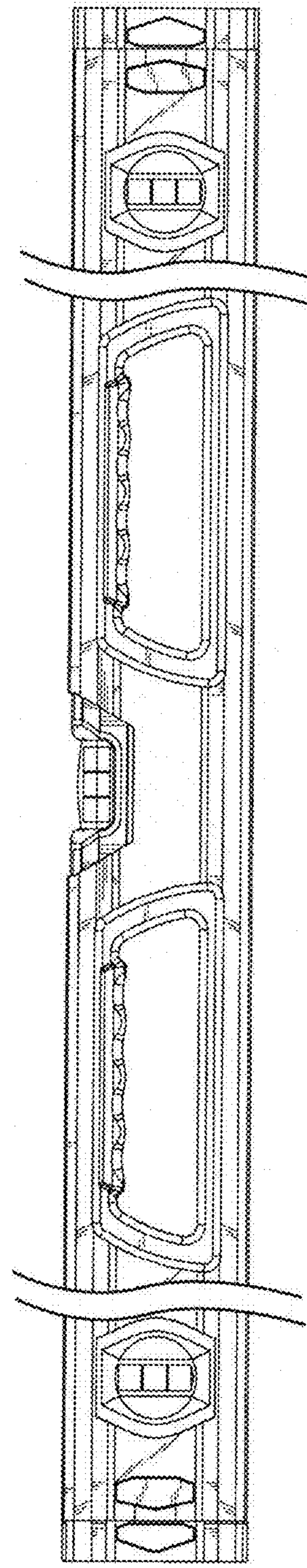


FIG. 3

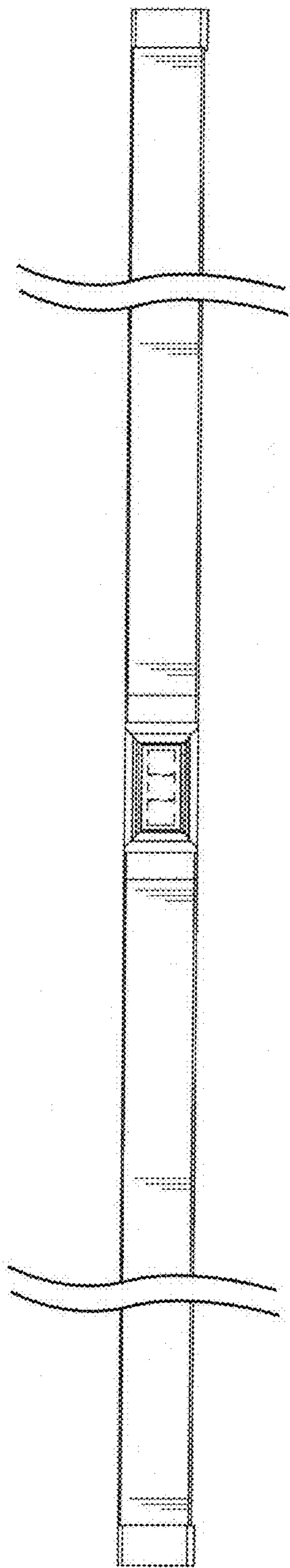


FIG. 4

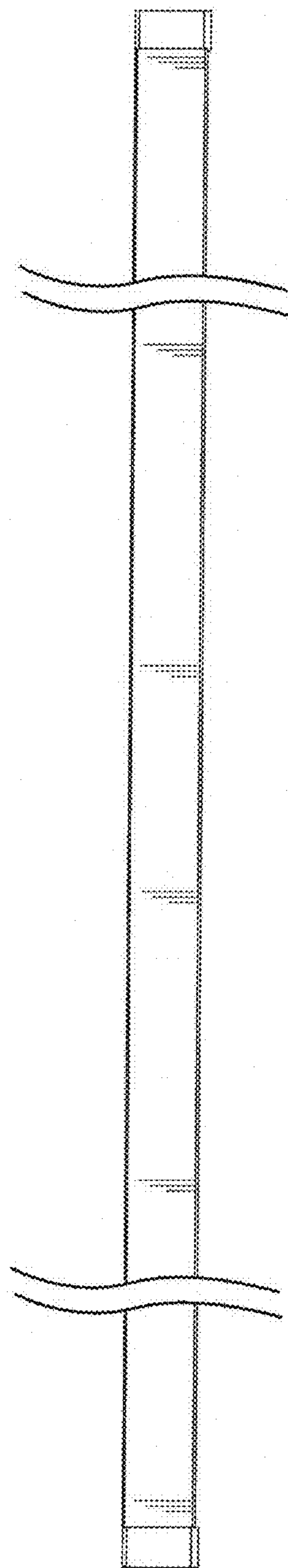


FIG. 5



FIG. 6

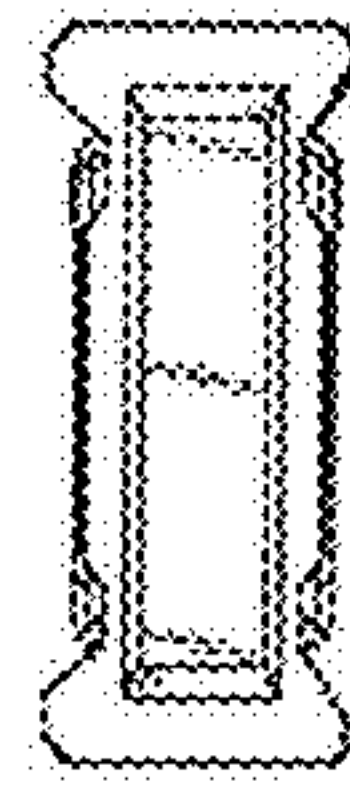


FIG. 7