



US00D743816S

(12) **United States Design Patent**  
**Schroedter**

(10) **Patent No.:** **US D743,816 S**

(45) **Date of Patent:** **\*\* Nov. 24, 2015**

(54) **MEASURING AND DISPENSING APPARATUS**

(71) Applicant: **Easy Go Dispenser, LLC**, Chicago, IL (US)

(72) Inventor: **Blake Schroedter**, Chicago, IL (US)

(73) Assignee: **Easy Go Dispenser, LLC**, Chicago, IL (US)

(\*\*) Term: **14 Years**

(21) Appl. No.: **29/439,387**

(22) Filed: **Dec. 11, 2012**

**Related U.S. Application Data**

(63) Continuation-in-part of application No. 13/091,818, filed on Apr. 21, 2011, now Pat. No. 8,439,231.

(51) **LOC (10) Cl.** ..... **10-04**

(52) **U.S. Cl.**  
USPC ..... **D10/46.2**

(58) **Field of Classification Search**

USPC ..... D10/46.2, 46, 46.3, 49, 81, 96, 97, 101, D10/102, 103; D7/300, 300.1, 301, 302, D7/303, 305, 312, 313, 314, 319, 320, 321, D7/322, 589, 590, 591, 679, 592-597; D9/730, 733, 738, 516, 523, 524, 525, D9/527, 528, 530, 531, 534, 535, 536, 538, D9/539, 540, 541, 542, 543, 547, 549, 574, D9/575, 443, 449, 450; 222/368, 434, 222/185.1, 1, 205, 153.01, 359, 361, 158, 222/80, 288, 438, 450, 240, 452, 510, 222/142.1-142.9; 206/219, 221; 215/11.1, 215/DIG. 8; 241/168, 169, 169.1  
CPC ... A61J 9/00; A61J 2001/2041; A61J 1/2093; G01F 11/10; G01F 11/46; G01F 11/24; G01F 11/286; G01F 11/20; G01F 11/18; G01F 11/261; B65B 1/36

See application file for complete search history.

(56) **References Cited**

**U.S. PATENT DOCUMENTS**

D97,675 S \* 12/1935 Davis ..... D7/300.1  
D309,709 S \* 8/1990 Cho ..... D9/500  
D309,711 S \* 8/1990 Biesecker ..... D9/500  
D454,497 S \* 3/2002 Darr et al. .... D9/500  
6,372,270 B1 \* 4/2002 Denny ..... 426/77

(Continued)

**OTHER PUBLICATIONS**

Schroedter: "Measuring and Dispensing Apparatus"; U.S. Appl. No. 13/091,818, filed Apr. 21, 2011.

*Primary Examiner* — Ian Simmons

*Assistant Examiner* — Shannon Morgan

(74) *Attorney, Agent, or Firm* — Keating & Bennett, LLP

(57) **CLAIM**

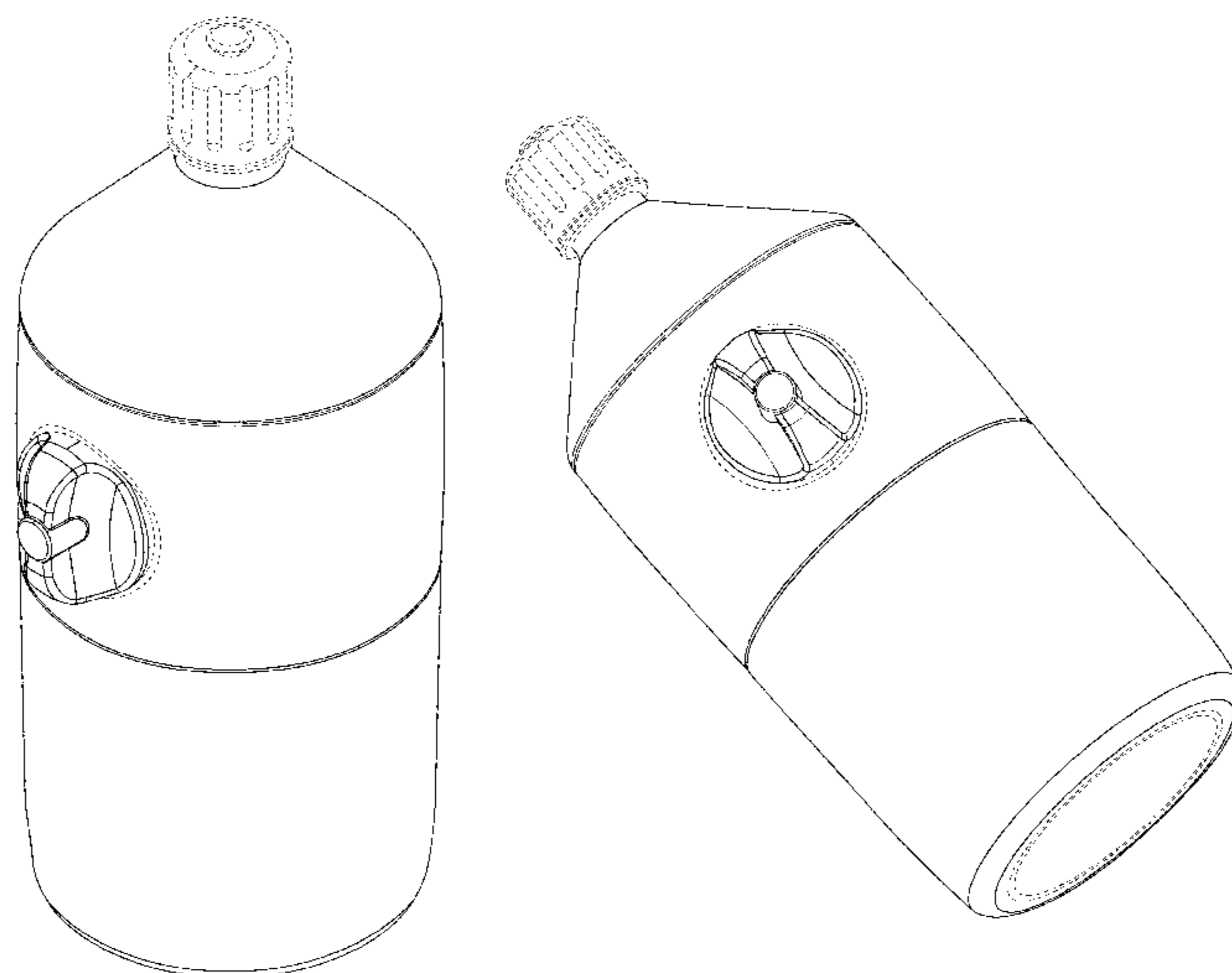
The ornamental design for a measuring and dispensing apparatus, as shown and described.

**DESCRIPTION**

FIG. 1 is a top, front side perspective view of a measuring and dispensing apparatus showing my new design;  
FIG. 2 is another top, front side perspective view thereof;  
FIG. 3 is a bottom, front side perspective view thereof;  
FIG. 4 is another bottom, front side perspective view thereof;  
FIG. 5 is a bottom, rear side perspective view thereof;  
FIG. 6 is a top, rear side perspective view thereof;  
FIG. 7 is a front side elevational view thereof;  
FIG. 8 is a rear side elevational view thereof;  
FIG. 9 is a left side elevational view thereof;  
FIG. 10 is a right side elevational view thereof;  
FIG. 11 is a top plan view thereof; and,  
FIG. 12 is a bottom plan view thereof.

The broken lines shown in FIGS. 1-12 represent portions of the measuring and dispensing apparatus that form no part of the claimed design.

**1 Claim, 12 Drawing Sheets**



(56)

**References Cited**

U.S. PATENT DOCUMENTS

D483,982 S *	12/2003	Irvine	.....	D7/300.1	D724,385 S *	3/2015	Hurley et al.	.....	D7/511
D506,135 S *	6/2005	Breier et al.	.....	D9/500	2005/0056660 A1 *	3/2005	Anderson et al.	.....	222/1
7,562,770 B1 *	7/2009	Roque	.....	206/221	2006/0027609 A1 *	2/2006	Landau et al.	.....	222/434
D607,747 S *	1/2010	Cella	.....	D9/500	2010/0044254 A1 *	2/2010	Romeo	.....	206/221
D625,541 S *	10/2010	Kauer	.....	D7/300.1	2010/0163441 A1 *	7/2010	Kim	.....	206/221
D630,037 S *	1/2011	Kauer	.....	D7/300.1	2011/0101023 A1 *	5/2011	Chan et al.	.....	222/1
D648,488 S *	11/2011	Tsai	.....	D28/87	2011/0290677 A1 *	12/2011	Simonian et al.	.....	206/219
D689,332 S *	9/2013	Krasner	.....	D7/510	2012/0267401 A1 *	10/2012	Schroedter	.....	222/368
D713,250 S *	9/2014	Perez-Cabrera	.....	D9/500	2013/0214010 A1 *	8/2013	McCoy	.....	222/368
					2014/0027322 A1 *	1/2014	Fontana	.....	206/222
					2014/0263471 A1 *	9/2014	Gonzalez et al.	.....	222/438
					2014/0314938 A1 *	10/2014	Kopel et al.	.....	426/590

\* cited by examiner

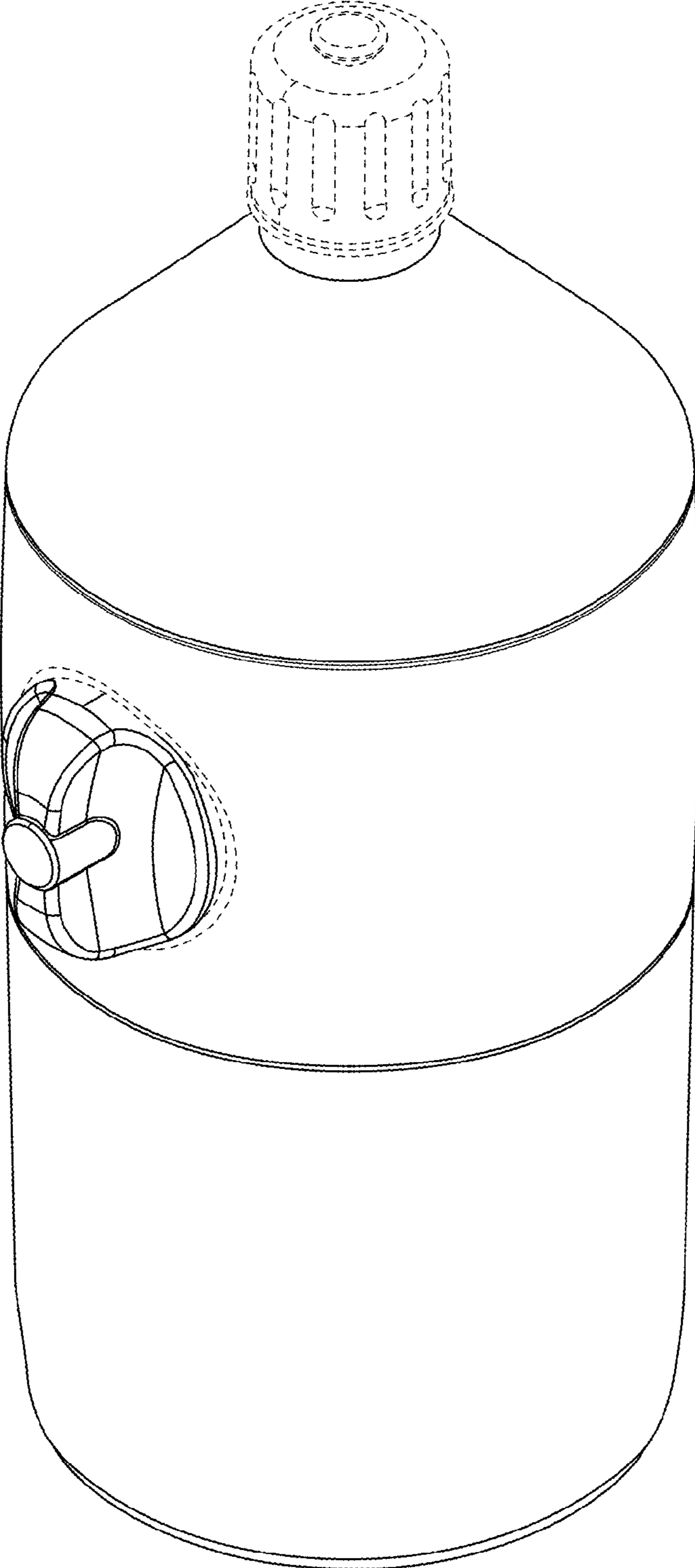


FIG. 1

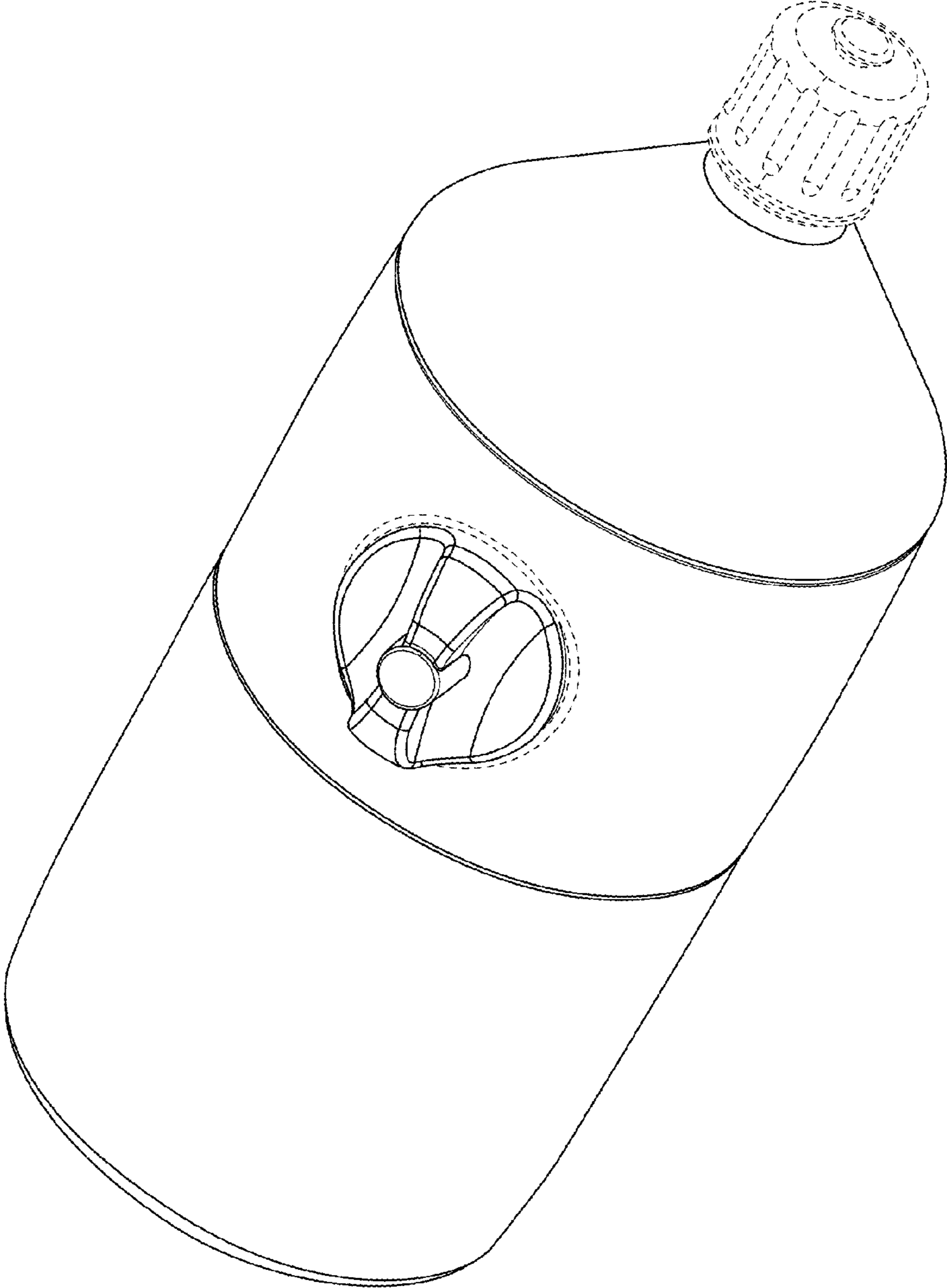


FIG. 2

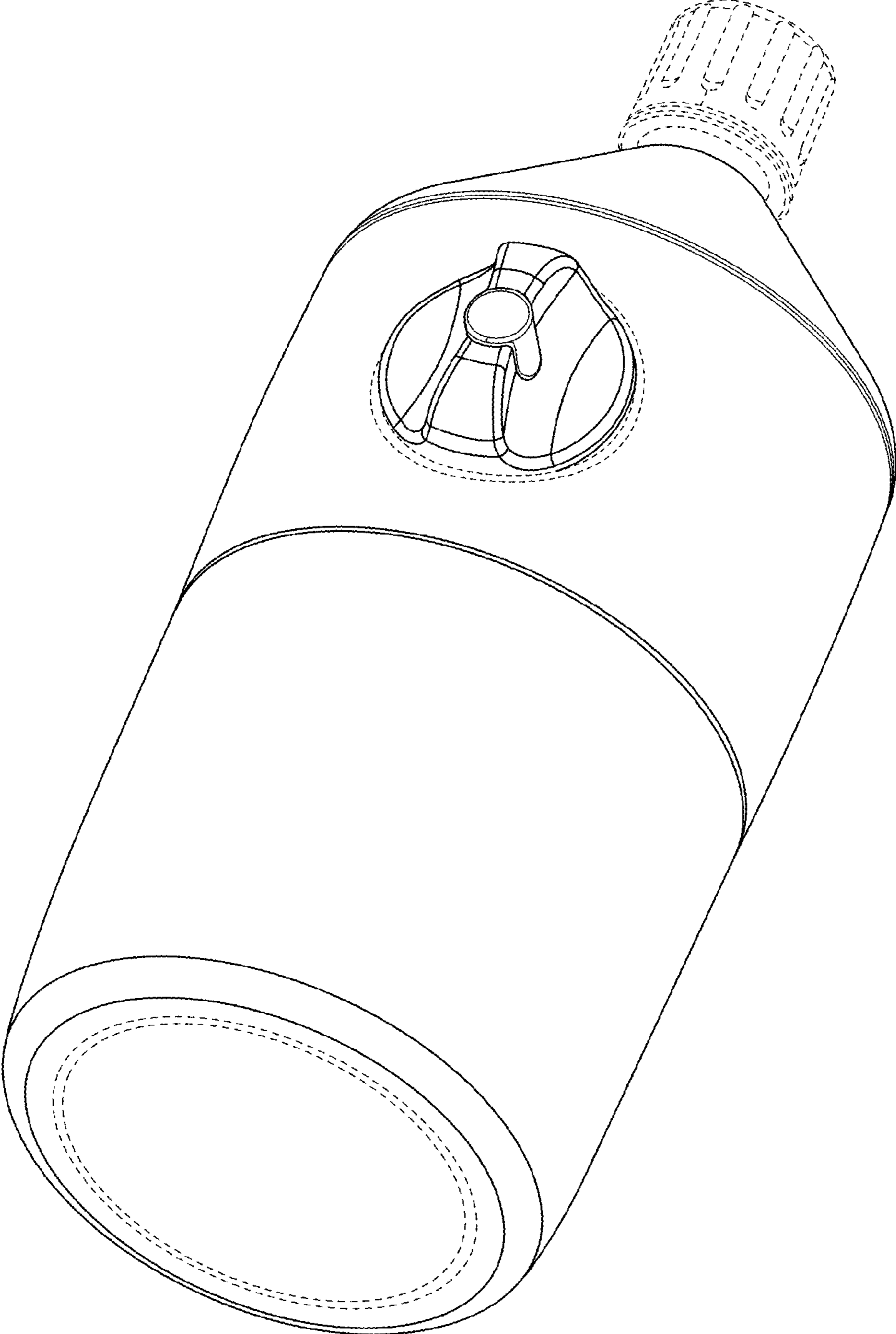


FIG. 3

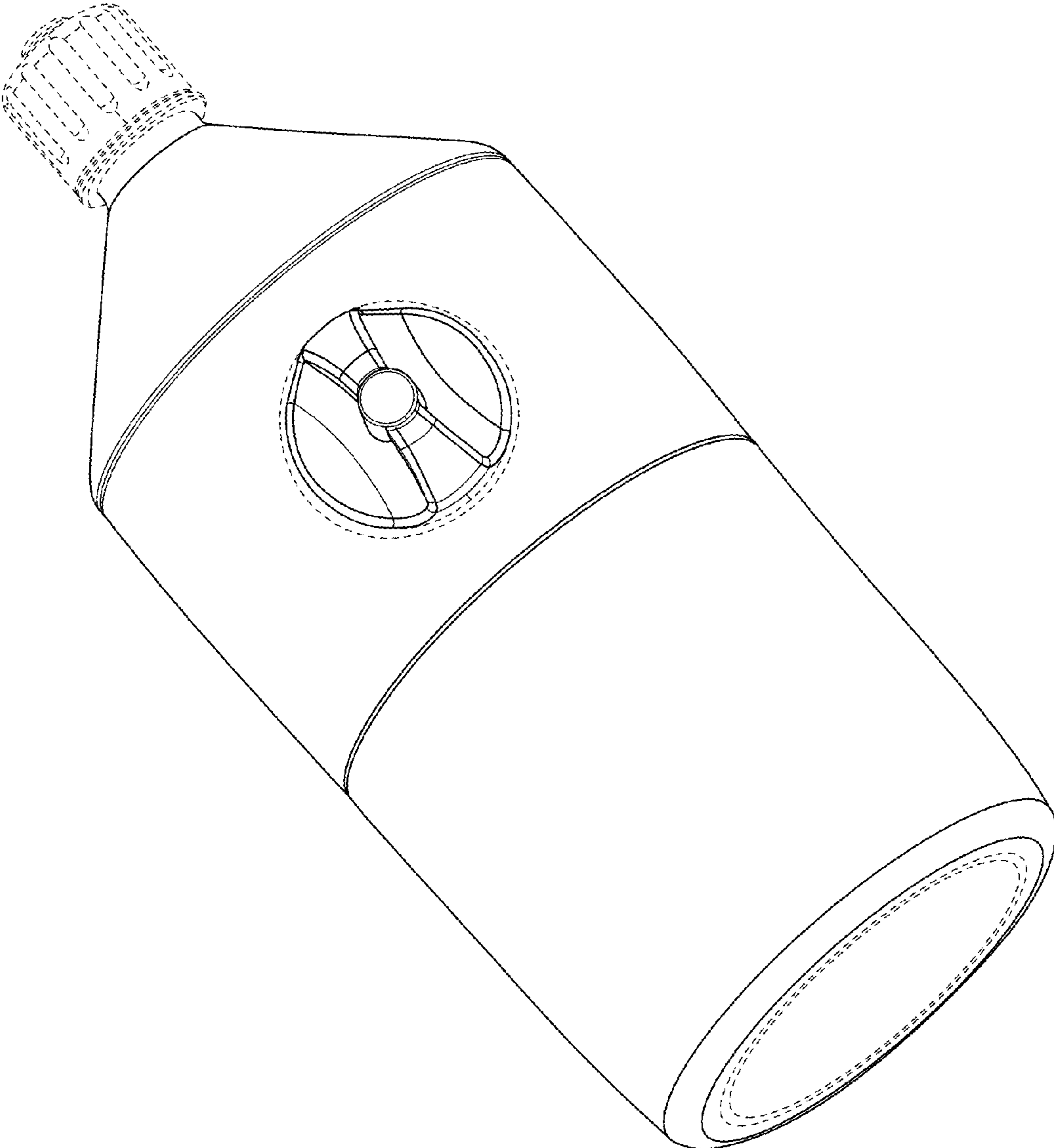


FIG. 4



FIG. 5

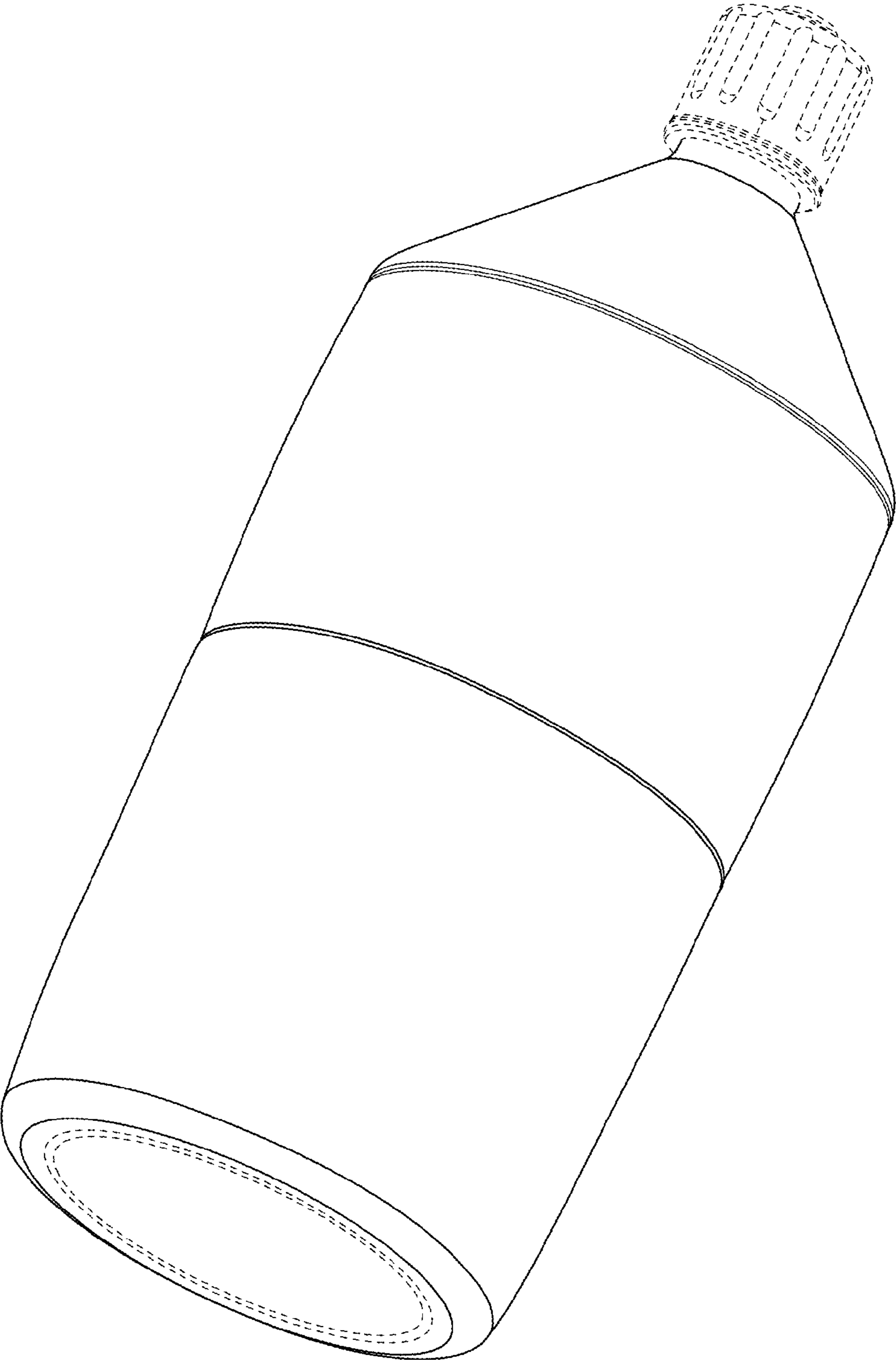


FIG. 6



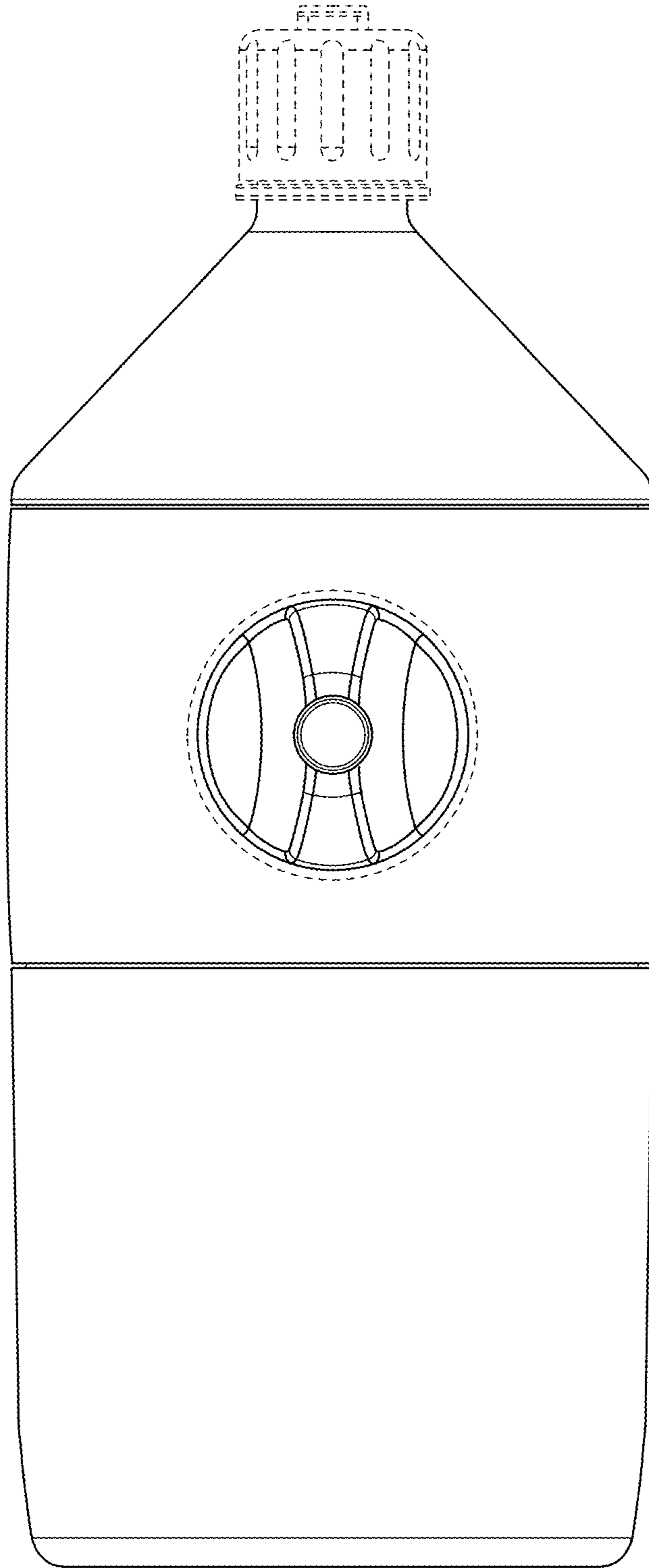


FIG. 7

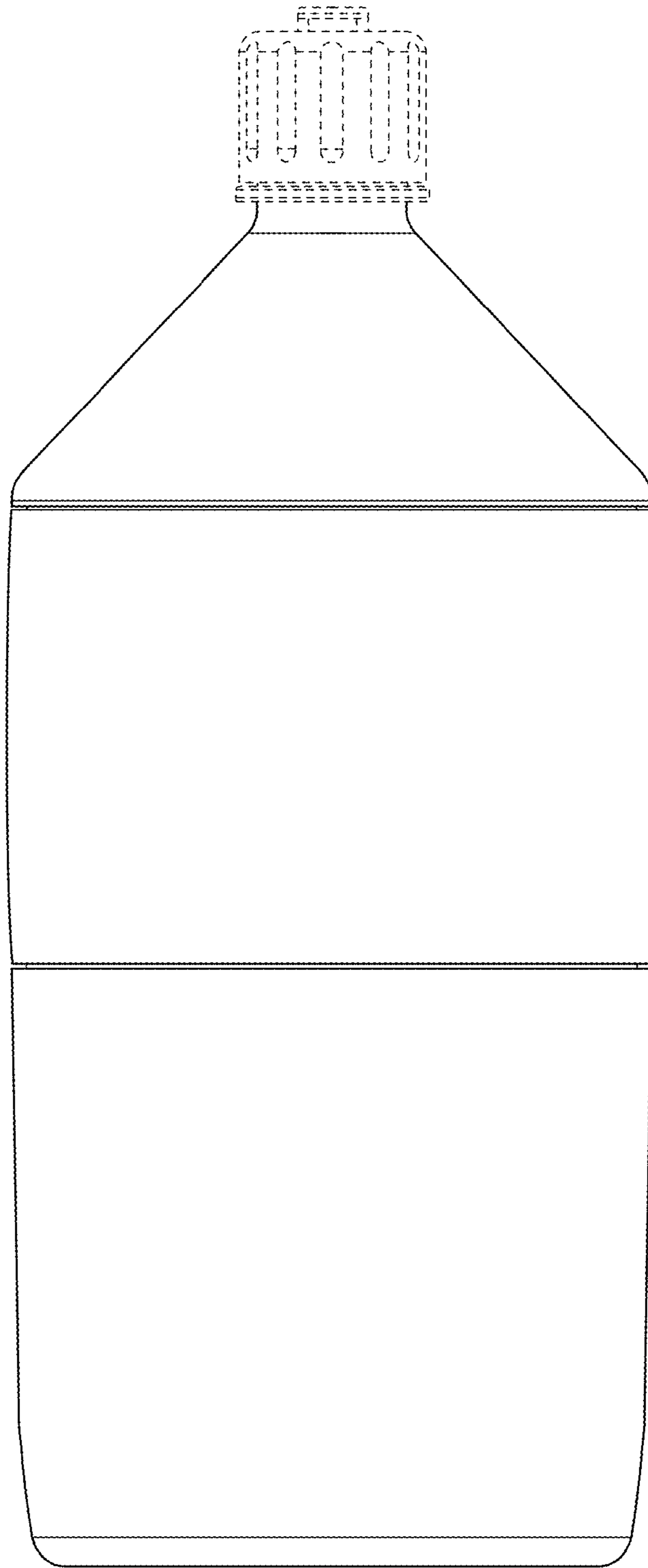


FIG. 8

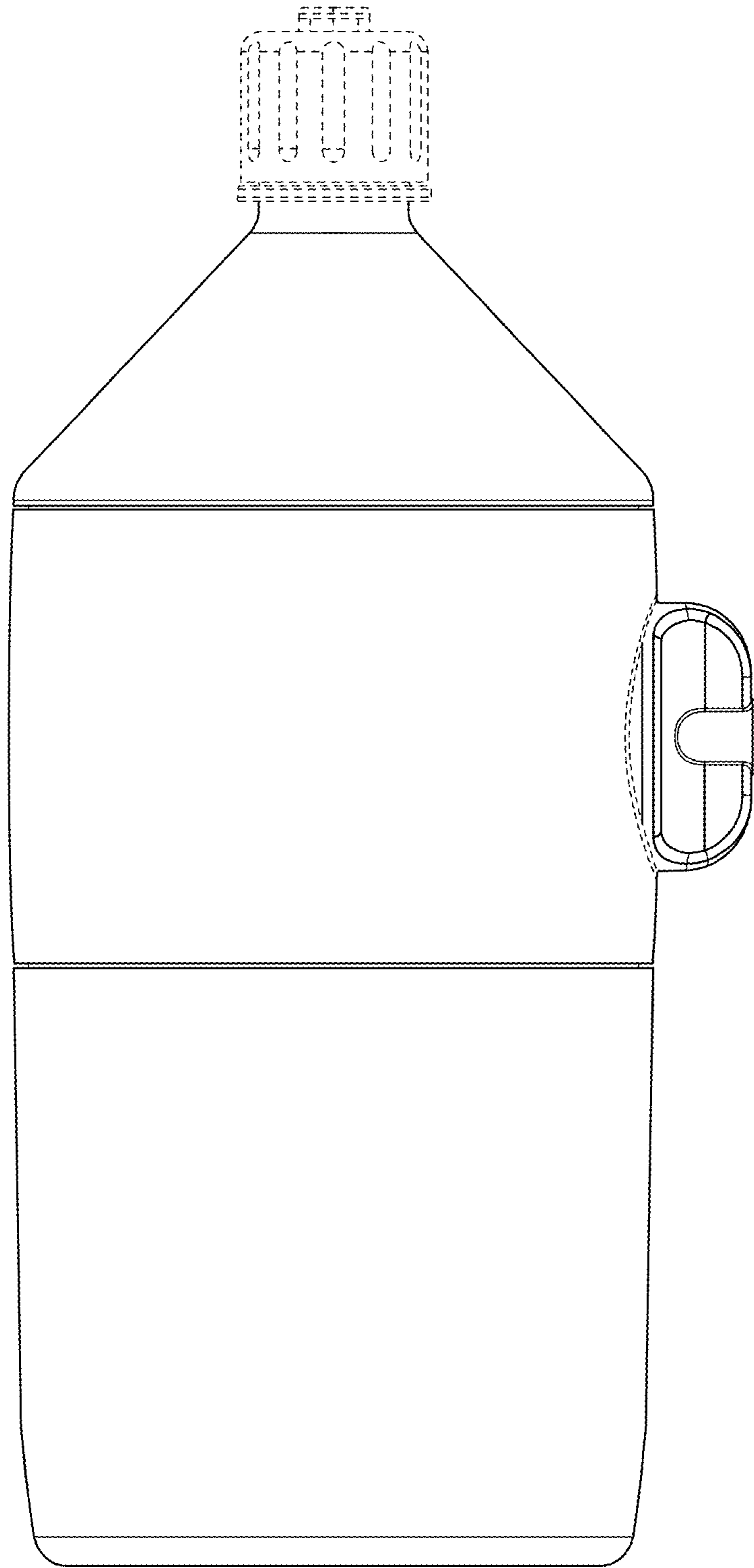


FIG. 9

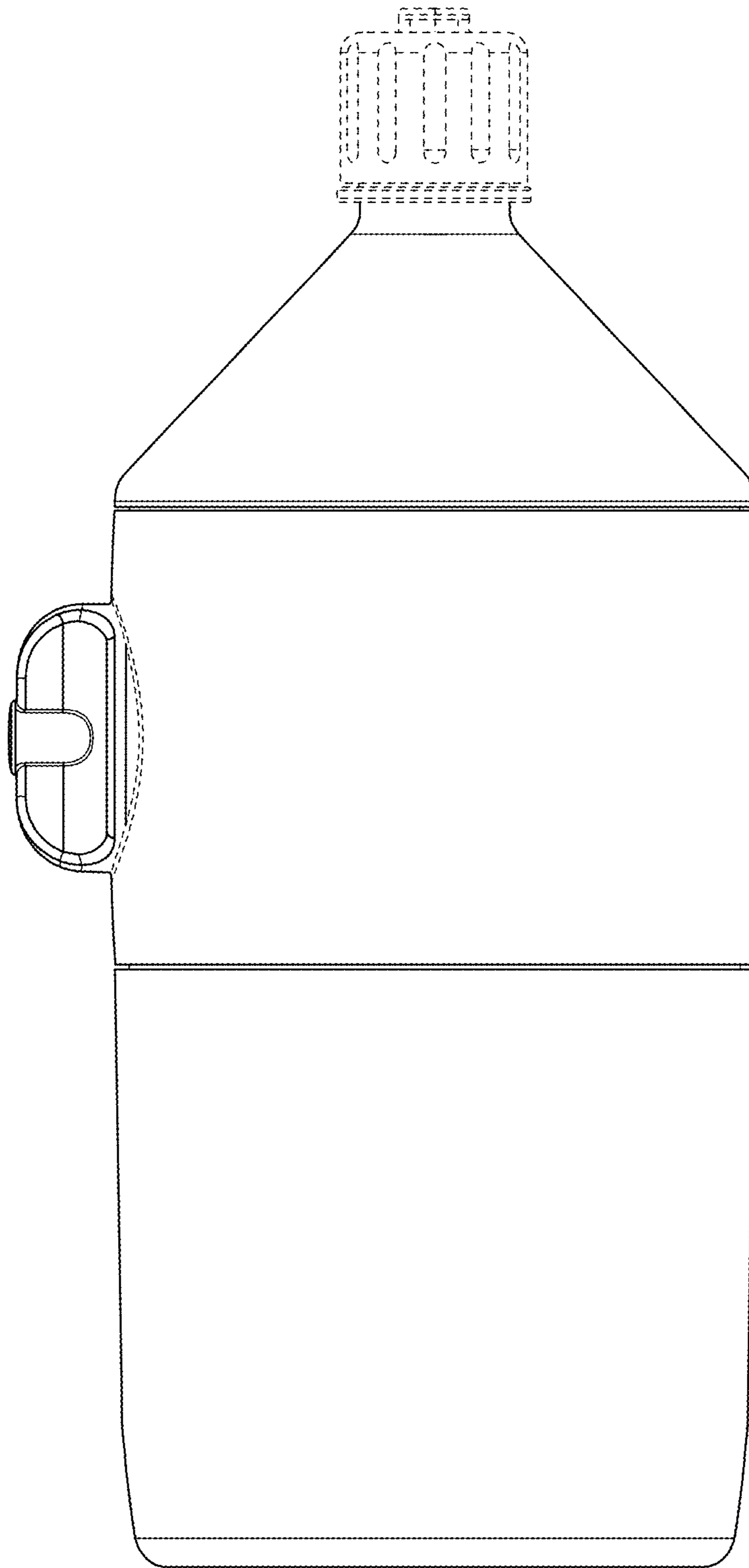


FIG. 10

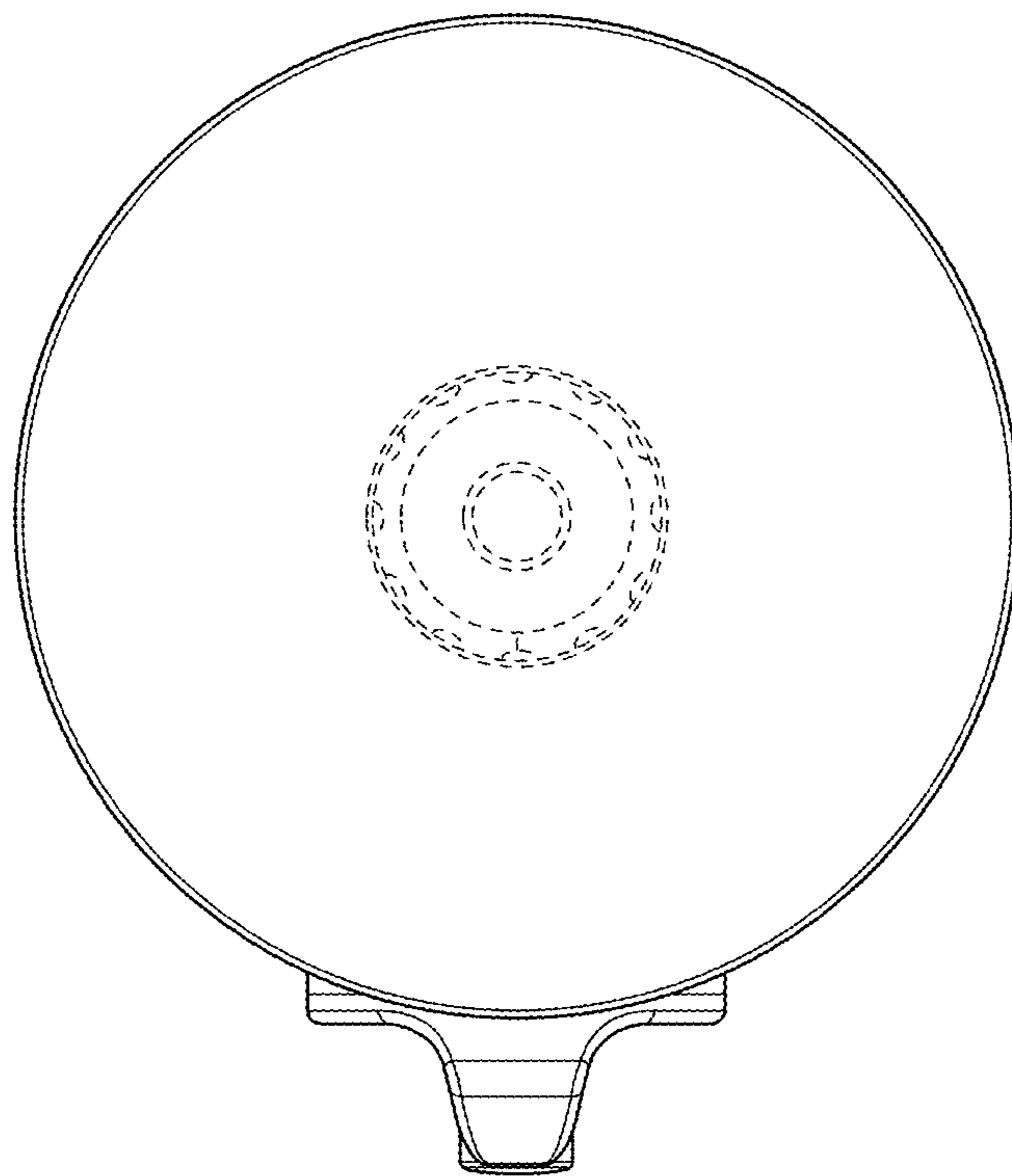


FIG. 11

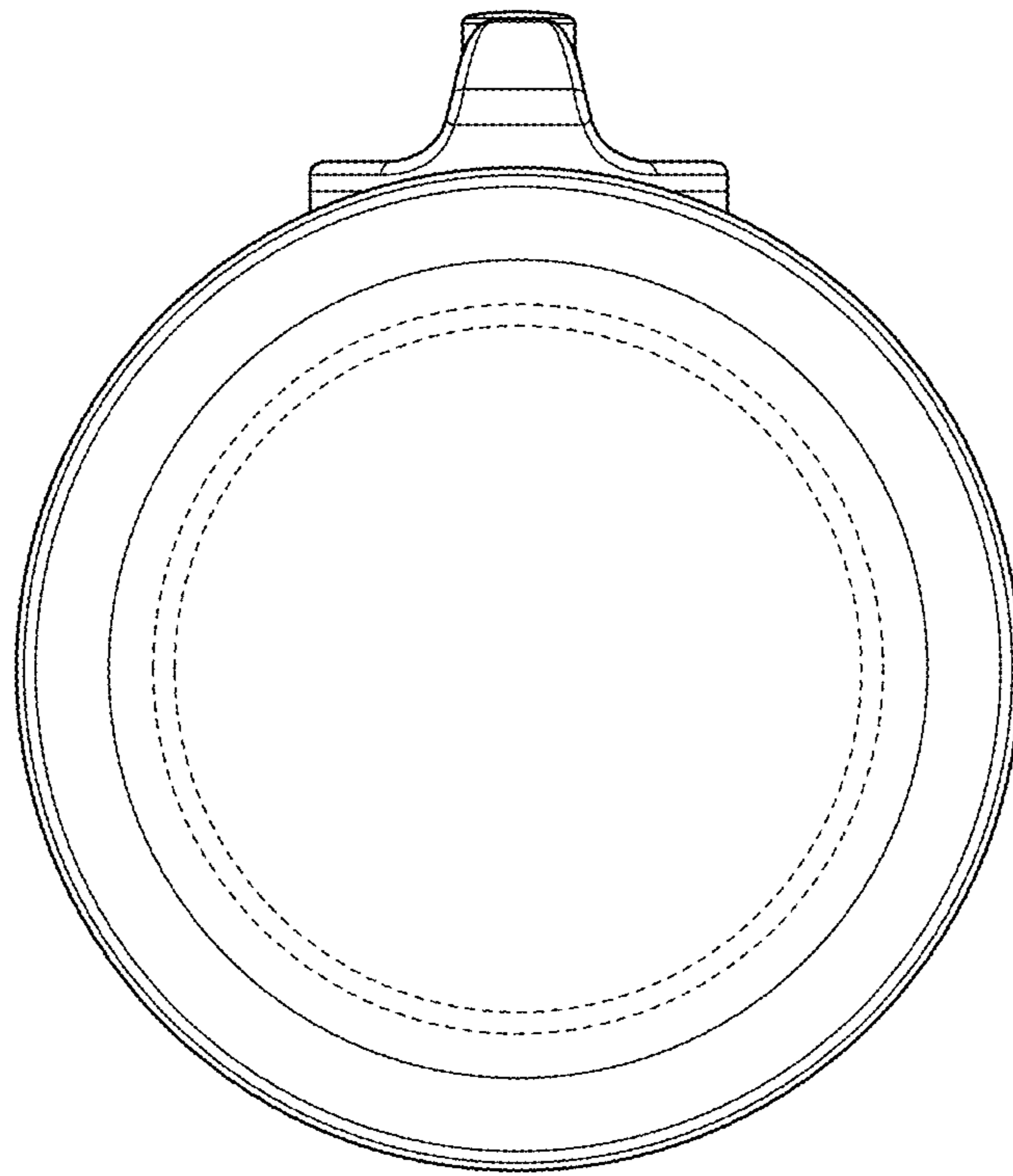


FIG. 12