



US00D743815S

(12) **United States Design Patent**  
**Janu et al.**

(10) **Patent No.:** **US D743,815 S**  
(45) **Date of Patent:** **\*\* Nov. 24, 2015**

(54) **REMOVABLE WIRELESS DATA ACQUISITION MODULE**

(71) Applicant: **Heraeus Electro-Nite Co., LLC**,  
Langhorne, PA (US)

(72) Inventors: **David G. Janu**, West Allis, WI (US);  
**David Holtz**, Waukesha, WI (US)

(73) Assignee: **Heraeus Electro-Nite Co., LLC**,  
Langhorne, PA (US)

(\*\*) Term: **14 Years**

(21) Appl. No.: **29/484,226**

(22) Filed: **Mar. 7, 2014**

(51) **LOC (10) CL.** ..... **10-04**

(52) **U.S. CL.**  
USPC ..... **D10/46; D10/49; D10/52**

(58) **Field of Classification Search**  
USPC ..... D10/52, 53, 46, 49  
CPC ..... G01K 11/06; G01K 11/08; G01K 1/105;  
G01K 1/125; G01F 23/04; G01F 23/22;  
G01F 23/292; G01F 23/0076  
See application file for complete search history.

(56) **References Cited**

**U.S. PATENT DOCUMENTS**

D309,578 S *	7/1990	Schwan	.....	D10/52
D640,579 S *	6/2011	Olzak et al.	.....	D10/46
2012/0278003 A1	11/2012	Turner et al.		
2013/0243031 A1 *	9/2013	Kendall et al.	.....	374/139

**OTHER PUBLICATIONS**

Janu et al, "Wireless Technology: A Revolution in Temperature, Oxygen and Carbon Measurements in Molten Metal," Iron and Steel Technology, pp. 1-9 (Nov. 2011).  
Heraeus, "Instruction and Operating Manual—QUBE Wireless Transmission Unit," Version 1.00, 18 pages (Jun. 16, 2014).  
Minco Group, RedBox MetNet Wireless System, 3 pages (published prior to Mar. 7, 2013).

\* cited by examiner

*Primary Examiner* — Antoine D Davis

(74) *Attorney, Agent, or Firm* — Panitch Schwarze Belisario & Nadel LLP

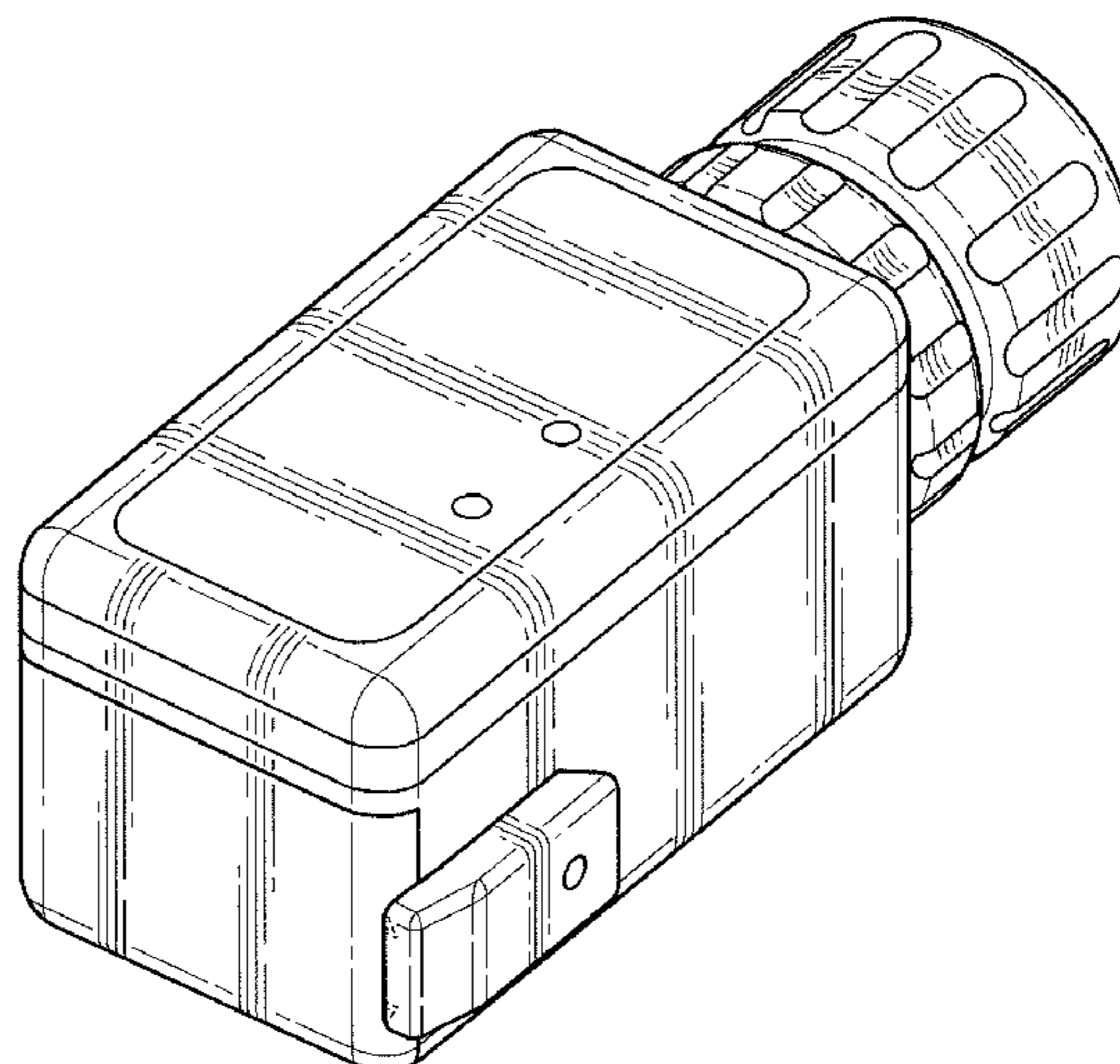
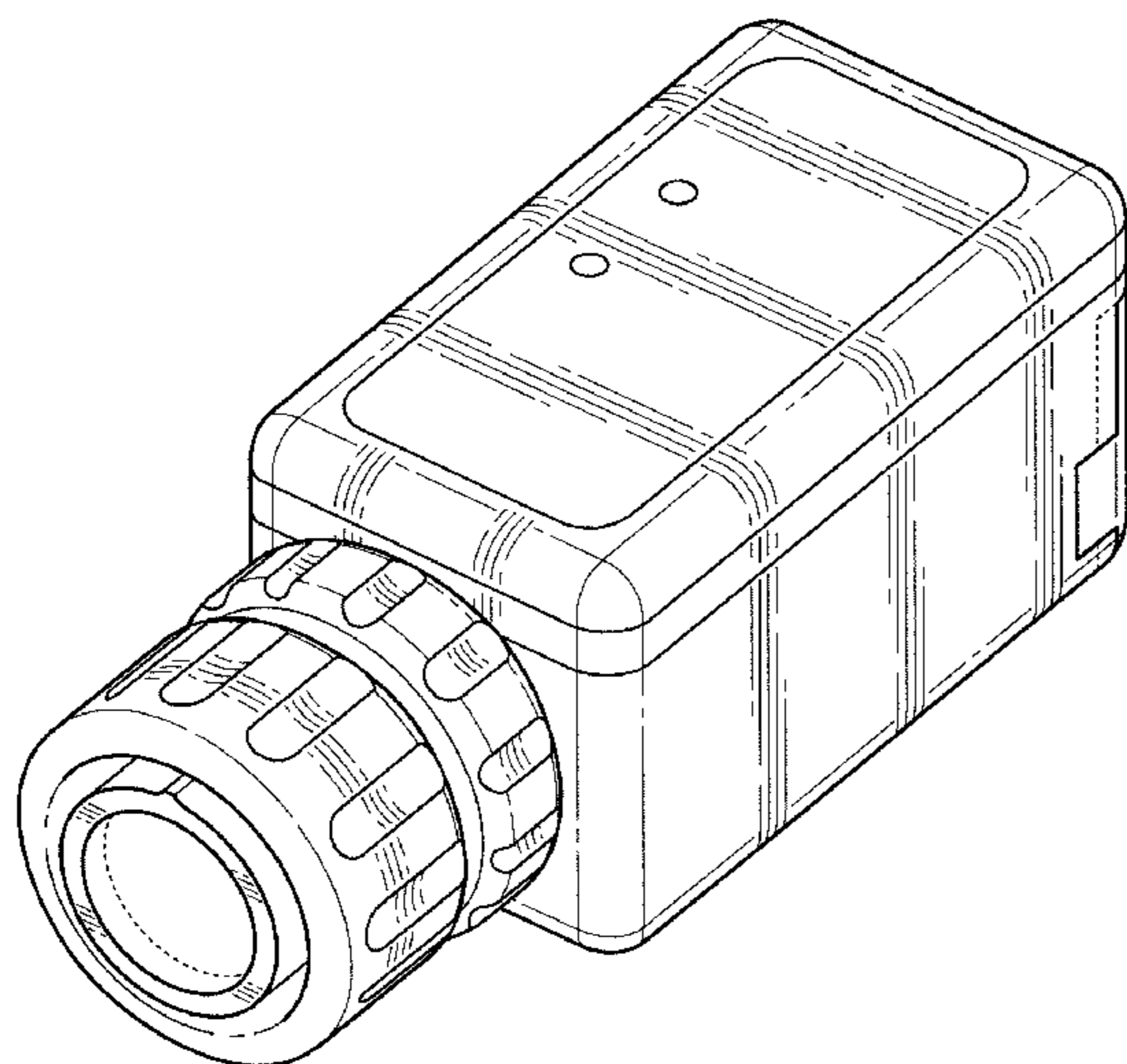
(57) **CLAIM**

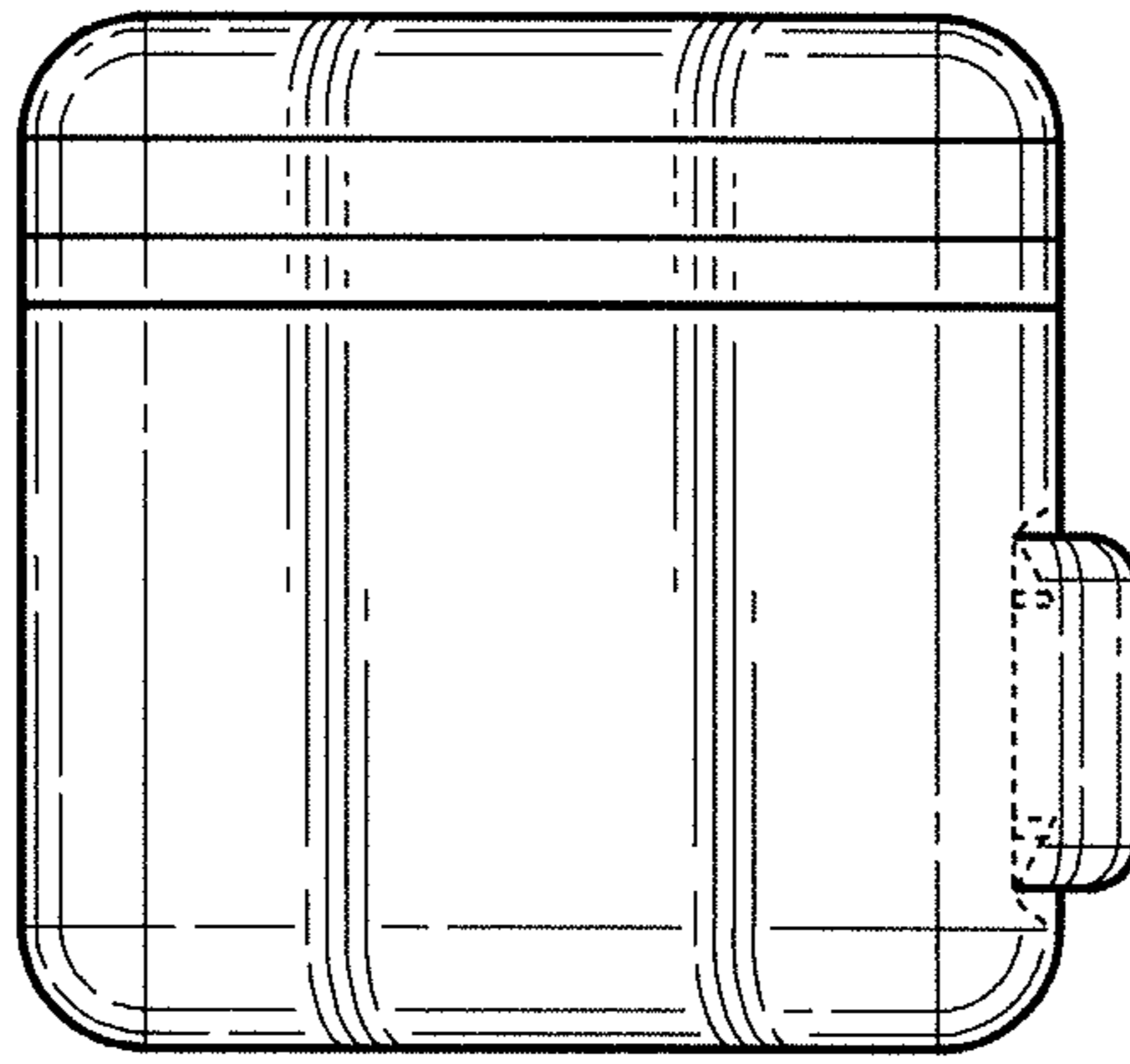
The ornamental design for a removable wireless data acquisition module, as shown and described.

**DESCRIPTION**

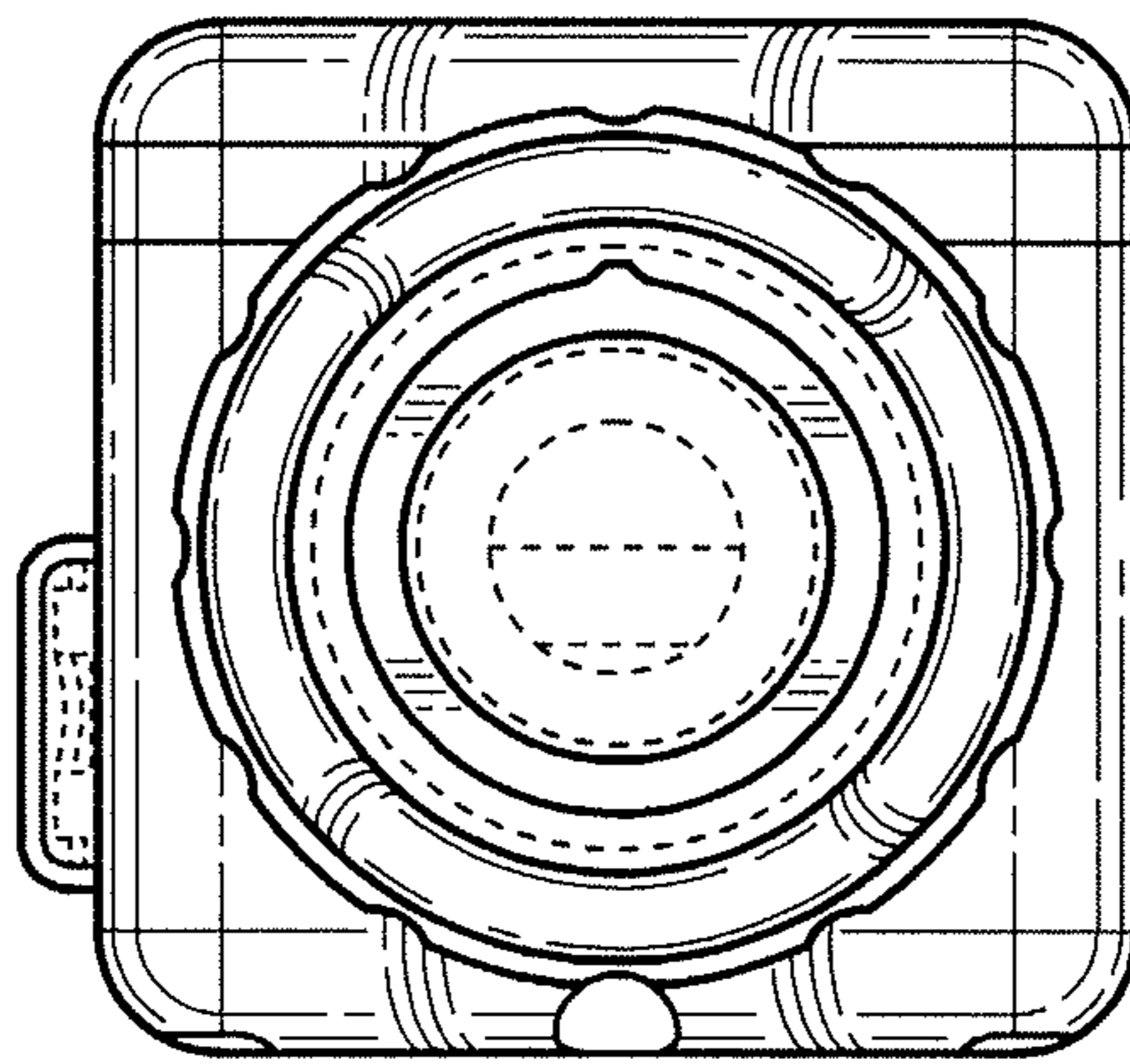
FIG. 1 is a front elevational view of a removable wireless data acquisition module in accordance with a preferred embodiment of our new design;  
FIG. 2 is a rear elevational view thereof;  
FIG. 3 is a right side elevational view thereof;  
FIG. 4 is a left side elevational view thereof;  
FIG. 5 is a top plan view thereof;  
FIG. 6 is a bottom plan view thereof;  
FIG. 7 is a rear elevational perspective view thereof; and,  
FIG. 8 is a front elevational perspective view thereof.  
The broken lines in the figures are directed to environment and are for illustrative purposes only and form no part of the claimed design.

**1 Claim, 4 Drawing Sheets**





*FIG. 1*



*FIG. 2*

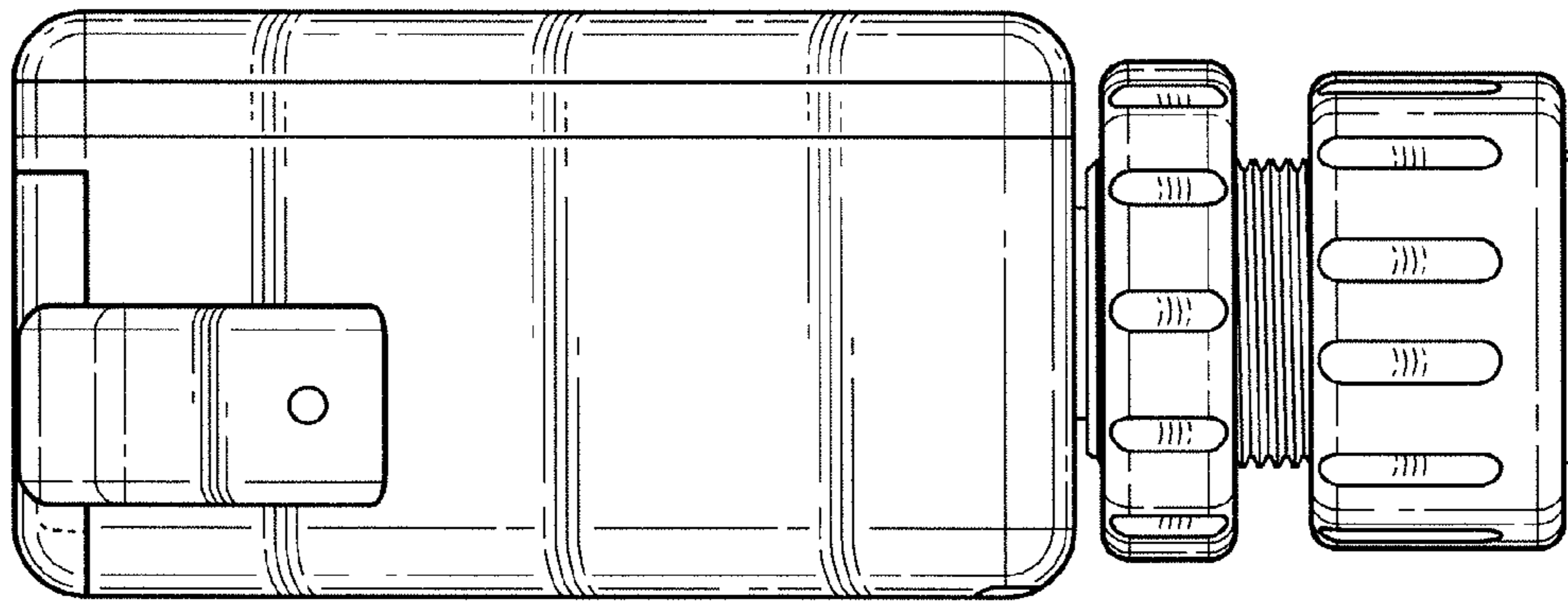


FIG. 3

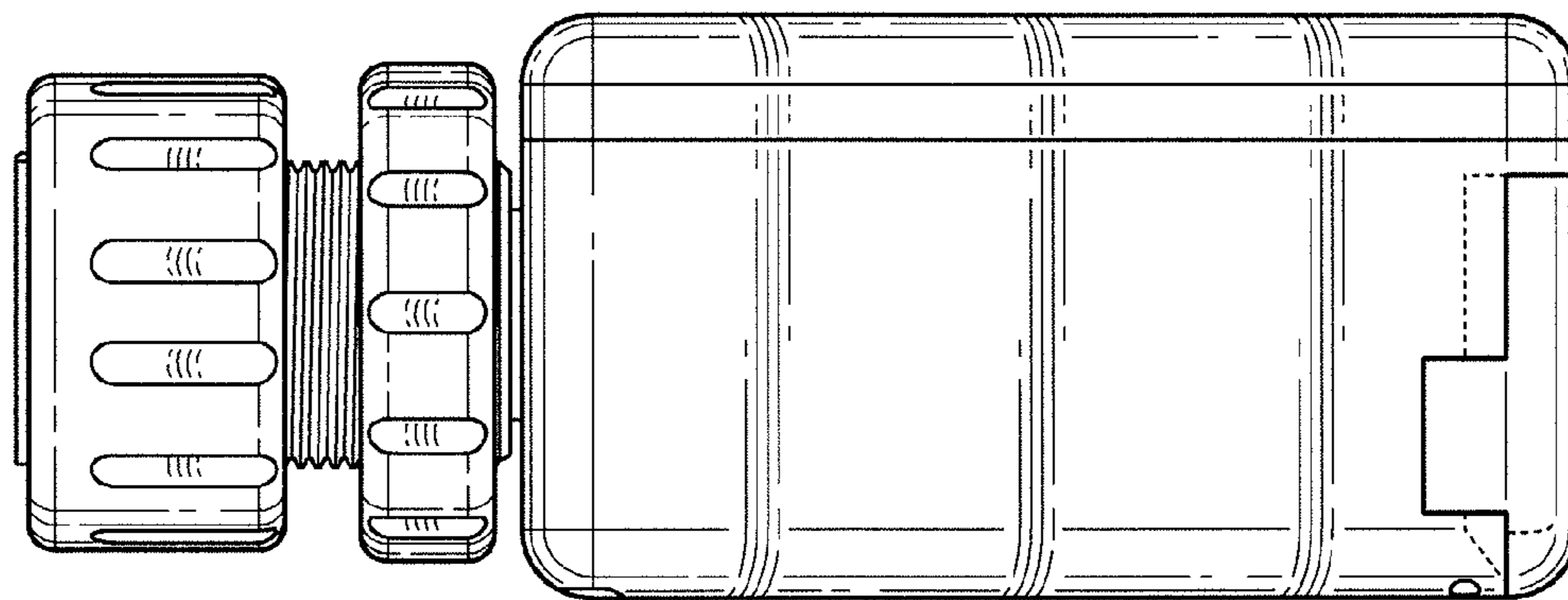


FIG. 4

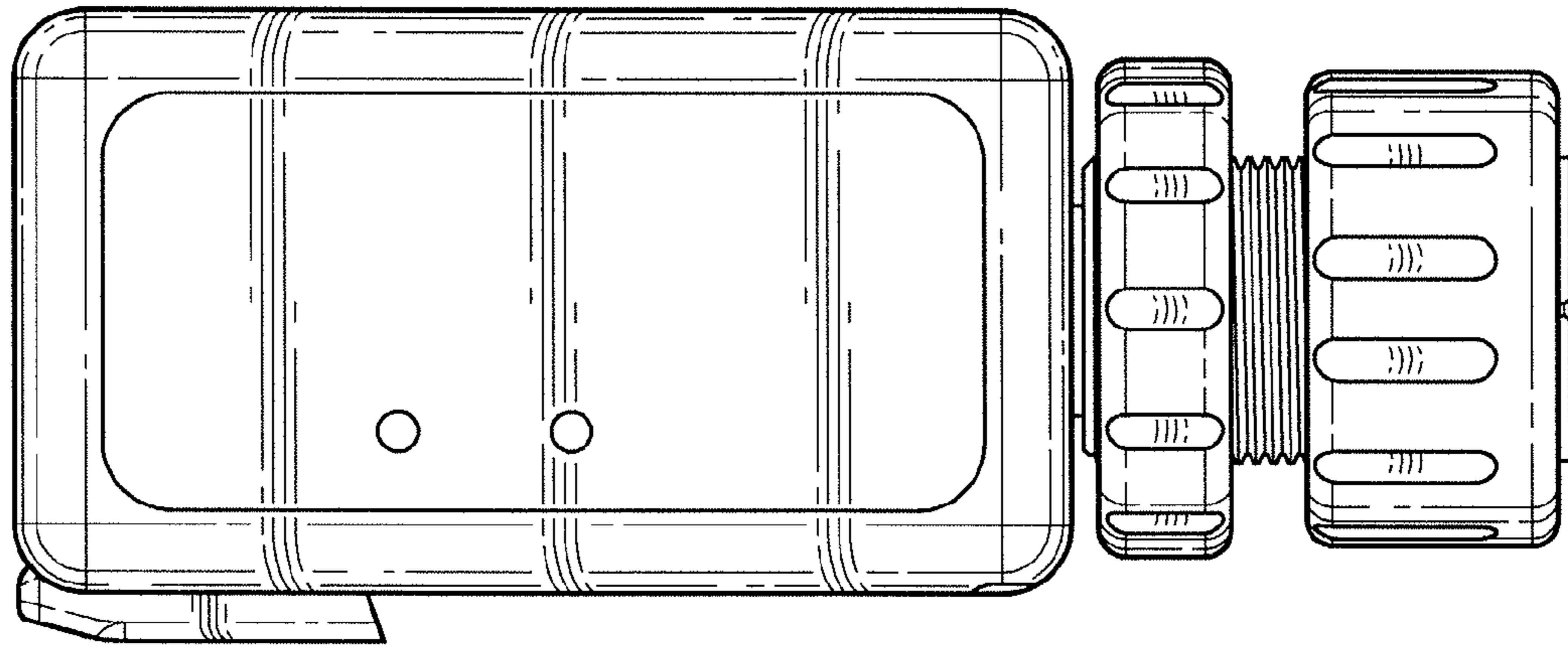


FIG. 5

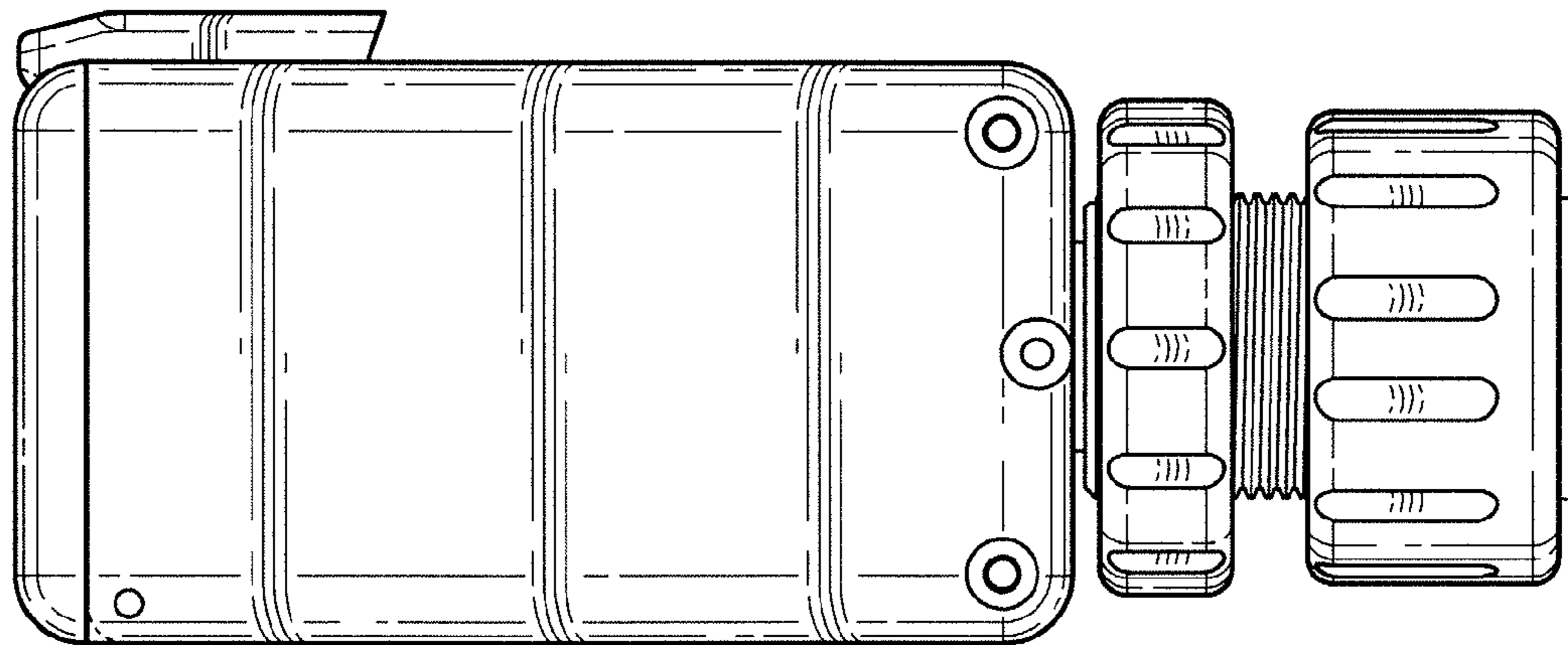


FIG. 6

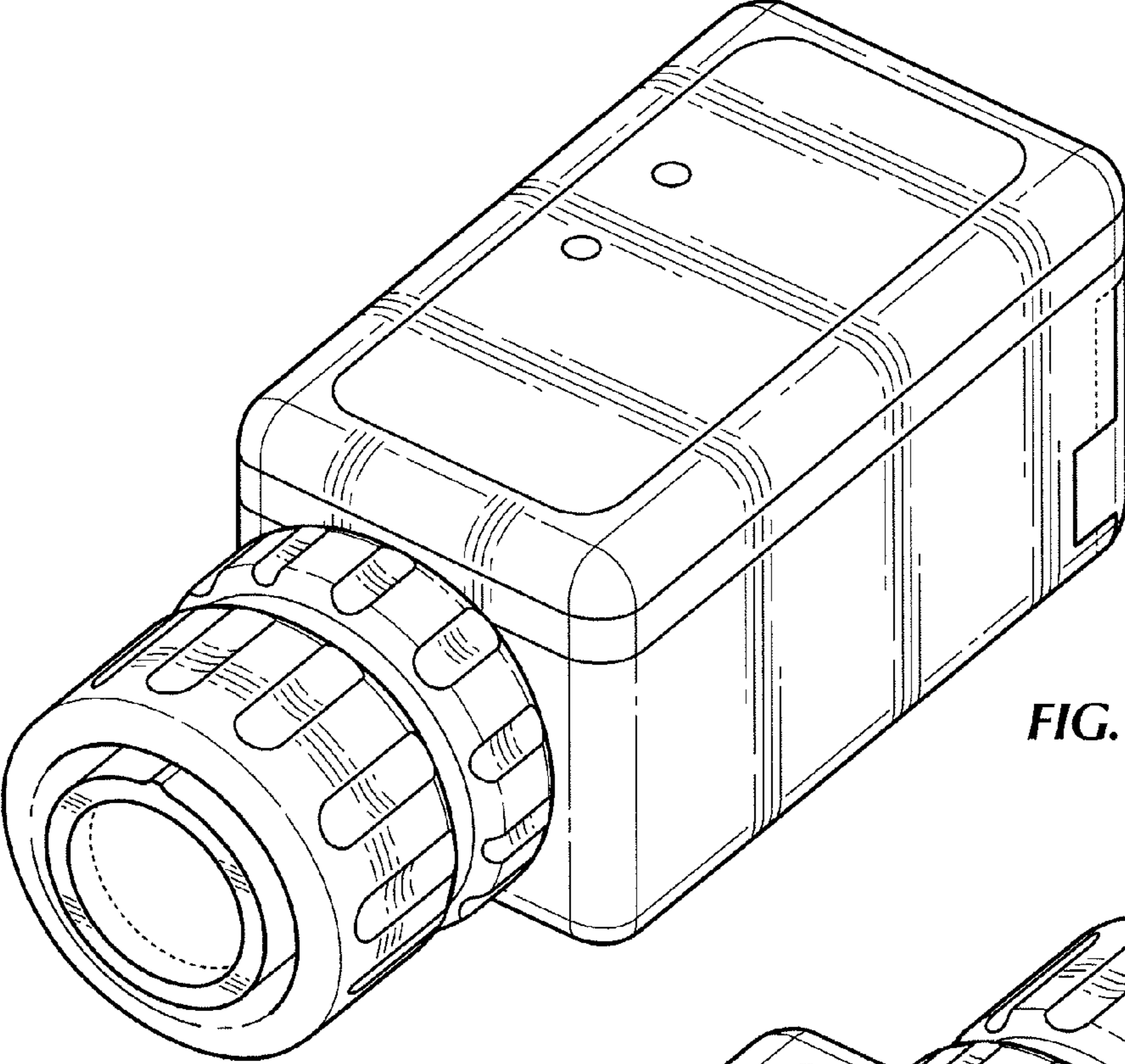


FIG. 7

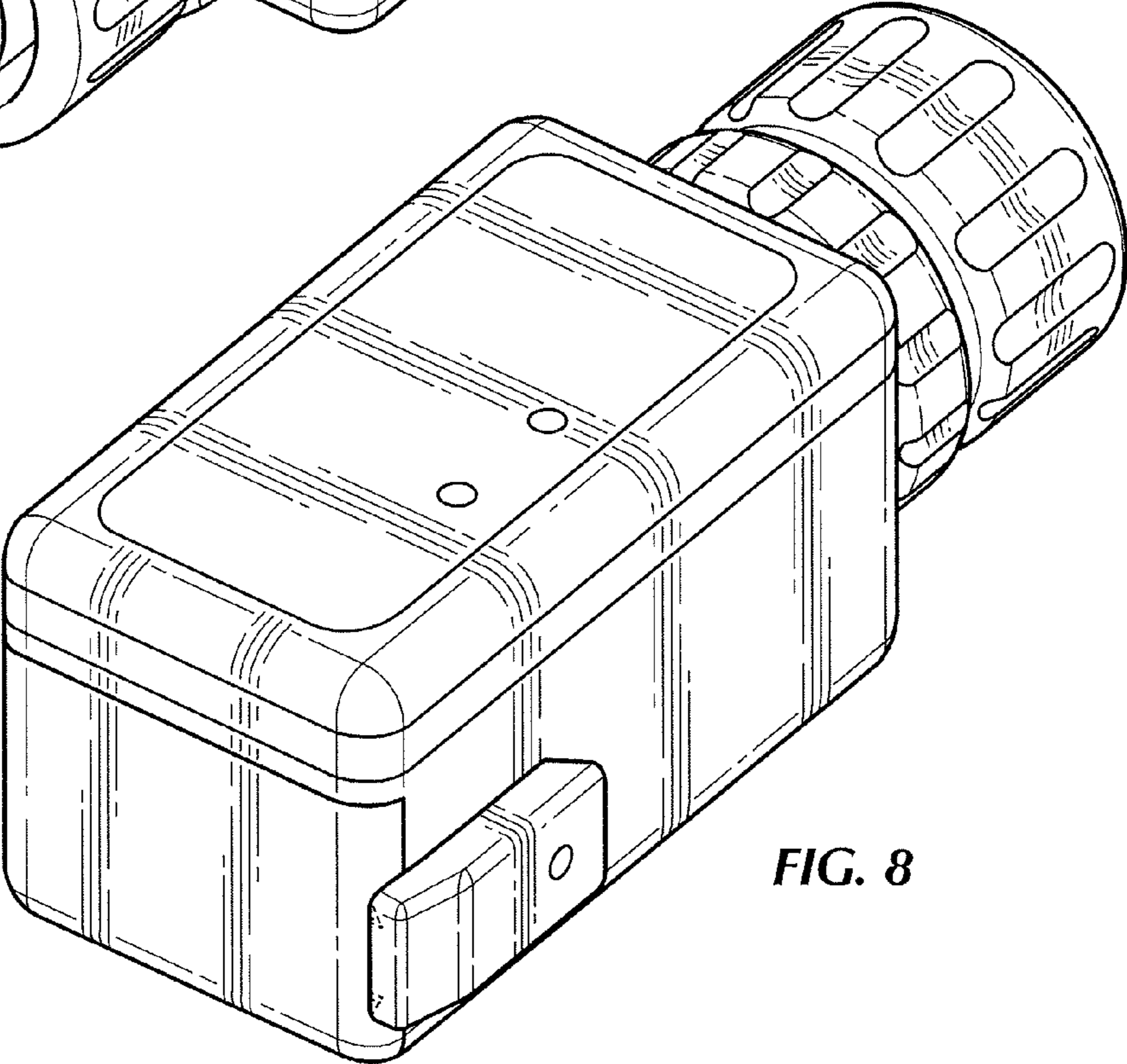


FIG. 8