



US00D743814S

(12) **United States Design Patent**
Miodrag

(10) **Patent No.:** **US D743,814 S**

(45) **Date of Patent:** **** Nov. 24, 2015**

(54) **WATCH**

(71) Applicant: **HUBLLOT SA, Geneve, Geneva (CH)**

(72) Inventor: **Mijatovic Miodrag, Preverenges (CH)**

(73) Assignee: **HUBLLOT SA, Geneve, Genève (CH)**

(**) Term: **14 Years**

(21) Appl. No.: **29/460,873**

(22) Filed: **Jul. 16, 2013**

(30) **Foreign Application Priority Data**

Jan. 18, 2013 (WO) DM/079 995

(51) **LOC (10) CL.** **10-02**

(52) **U.S. Cl.**
USPC **D10/39; D10/125**

(58) **Field of Classification Search**
USPC D10/30-39, 1-29, 122-132
CPC G04B 15/00; G04B 17/06; G04B 17/285;
G04B 37/00; G04B 37/0008; G04B 37/225;
G04B 45/00; G04B 45/0038; G04B 45/0069;
G04B 45/0076; G04B 45/02
See application file for complete search history.

(56) **References Cited**

U.S. PATENT DOCUMENTS

4,376,996	A *	3/1983	Wuthrich	368/220
4,382,690	A *	5/1983	Erard	368/77
4,534,660	A *	8/1985	Laesser	368/220
D302,131	S *	7/1989	Woomer	D10/39
4,926,401	A *	5/1990	Vuilleumier et al.	368/88
D456,274	S *	4/2002	Mille	D10/30

D530,229	S *	10/2006	Wunderman	D10/32
D545,695	S *	7/2007	Laucella	D10/31
D570,710	S *	6/2008	Wong	D10/30
D640,572	S *	6/2011	Calce	D10/32
D650,708	S *	12/2011	Laucella	D10/39
D658,514	S *	5/2012	Mille	D10/39
D658,515	S *	5/2012	Mille	D10/39
D658,516	S *	5/2012	Mille	D10/39
D660,184	S *	5/2012	Calce	D10/32
D661,602	S *	6/2012	Calce	D10/32
D664,047	S *	7/2012	Mille	D10/39
D673,868	S *	1/2013	Mille	D10/39
D692,323	S *	10/2013	Mille	D10/39
2008/0013409	A1 *	1/2008	Bland et al.	368/223

* cited by examiner

Primary Examiner — Martie K Holtje

(74) *Attorney, Agent, or Firm* — Sughrue Mion, PLLC

(57) **CLAIM**

The ornamental design for a watch, as shown and described.

DESCRIPTION

FIG. 1 is a right front perspective view of a watch showing my new design;
 FIG. 2 is a front elevational view thereof;
 FIG. 3 is a left side elevational view thereof;
 FIG. 4 is a right side elevational view thereof;
 FIG. 5 is a top plan view thereof; and,
 FIG. 6 is a bottom plan view thereof.

The structural features depicted by means of broken lines in FIG. 2 have been shown for the purpose of illustrating portions of the watch that form no part of the claimed design. The rear of the watch, not shown, forms no part of the claimed design.

1 Claim, 4 Drawing Sheets



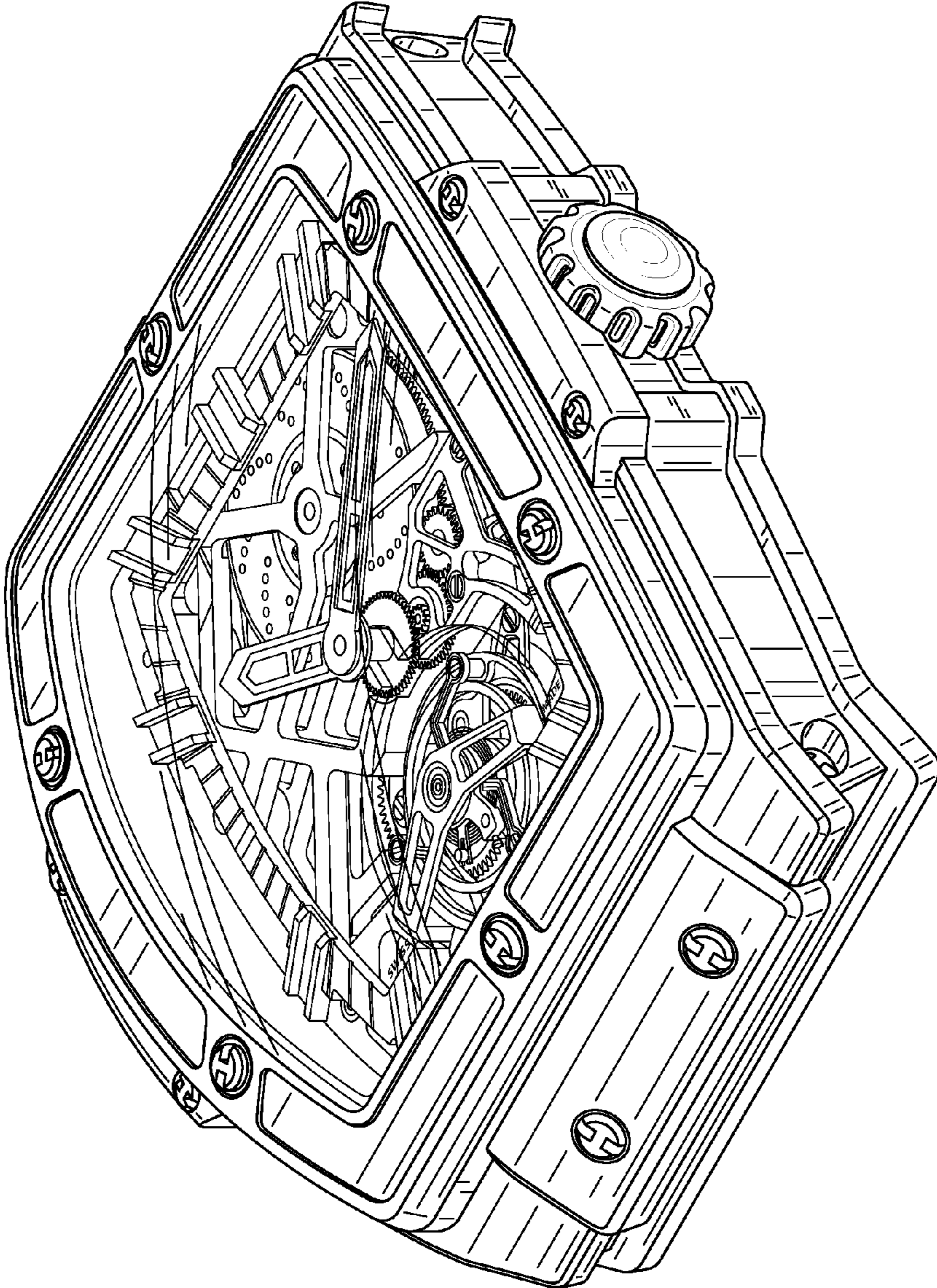


FIG. 1



FIG. 2

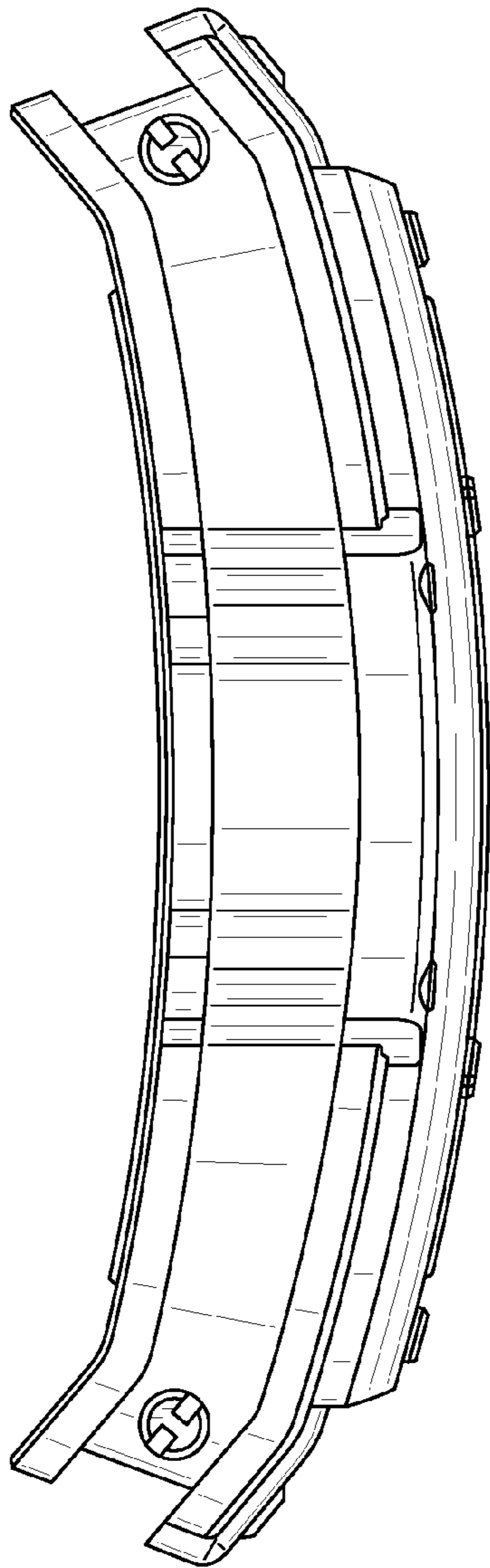


FIG. 3

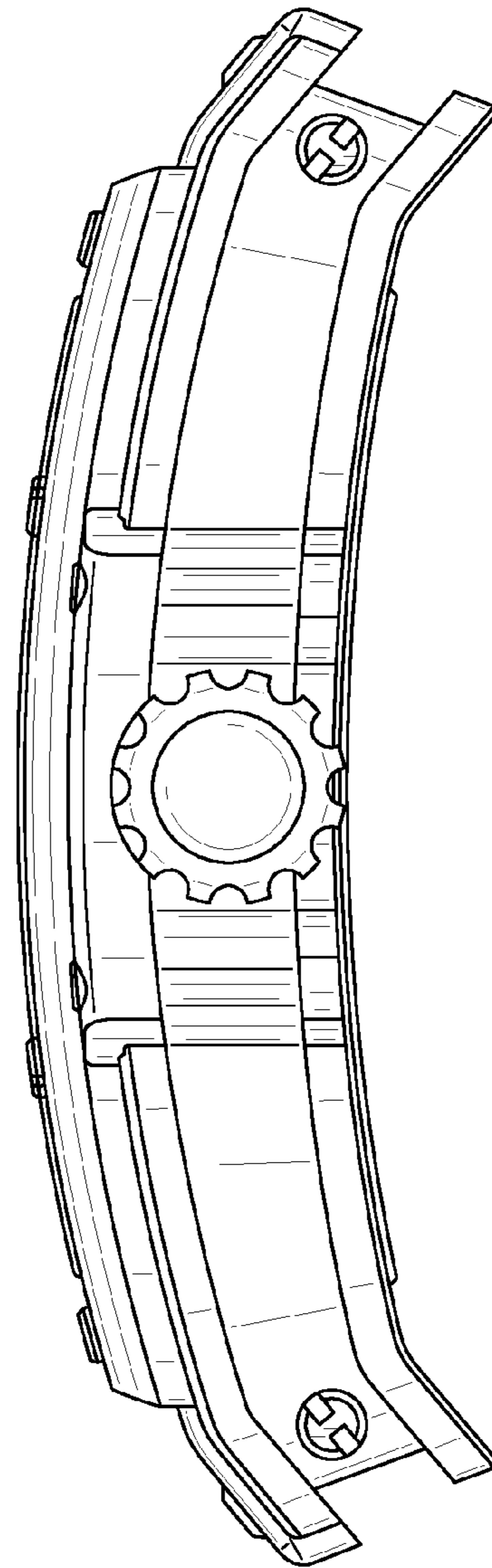


FIG. 4

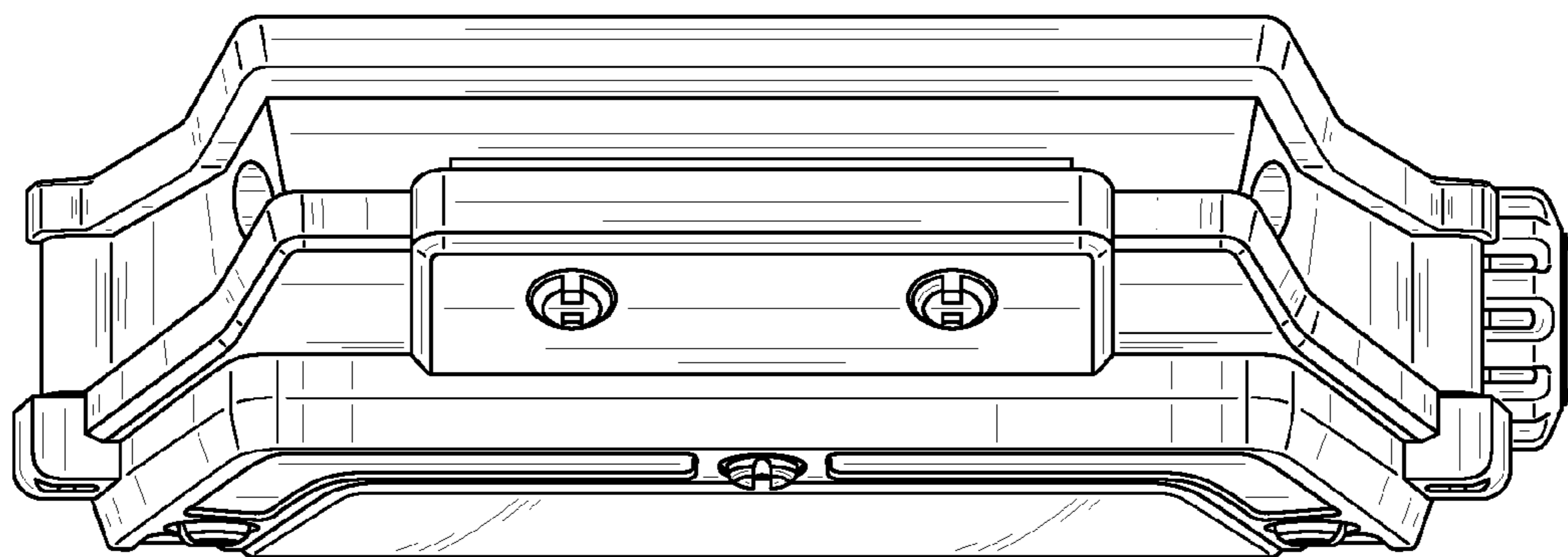


FIG. 5

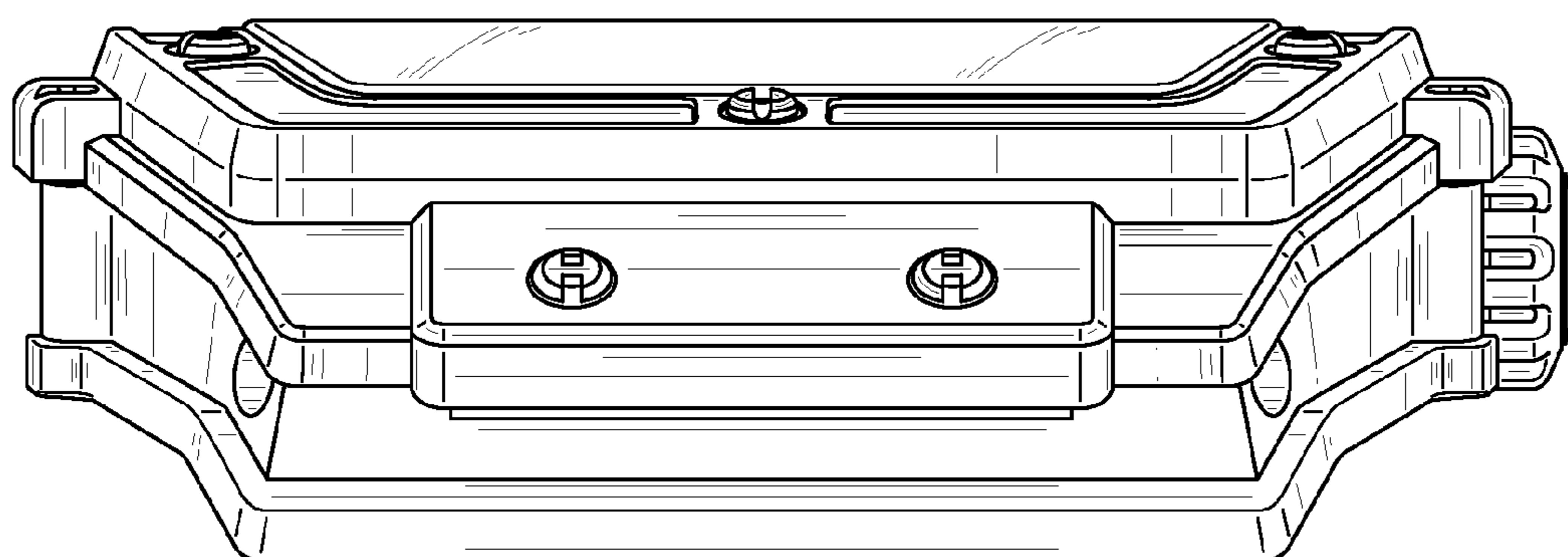


FIG. 6