



US00D743813S

(12) **United States Design Patent**
Koutsolioutsos

(10) **Patent No.:** **US D743,813 S**

(45) **Date of Patent:** **** Nov. 24, 2015**

(54) **WATCH**

(71) Applicant: **Folli Follie Commercial
Manufacturing and Technical Societe
Anonyme, Agios Stefanos (GR)**

(72) Inventor: **Dimitris Koutsolioutsos, Agios Stefanos
(GR)**

(73) Assignee: **Folli Follie Commercial
Manufacturing and Technical Societe
Anonyme, Agios Stefanos (GR)**

(**) Term: **14 Years**

(21) Appl. No.: **29/476,185**

(22) Filed: **Dec. 11, 2013**

(30) **Foreign Application Priority Data**

Jun. 19, 2013 (GR) 20130600089

(51) **LOC (10) Cl.** **10-02**

(52) **U.S. Cl.**
USPC **D10/32; D10/33; D10/126**

(58) **Field of Classification Search**
USPC D10/30-39, 1-29, 122-133; D11/3, 56
CPC G04B 19/00; G04B 19/04; G04B 19/044;
G04B 19/10; G04B 37/00; G04B 37/0008;
G04B 45/00; G04B 45/0069; G04B 45/0076;
G04B 45/0084

See application file for complete search history.

(56) **References Cited**

U.S. PATENT DOCUMENTS

D99,432 S * 4/1936 Duffy D10/126
D220,050 S * 3/1971 Yannich D10/124

5,319,615 A * 6/1994 Ng 368/276
D351,565 S * 10/1994 Ito D10/126
D352,006 S * 11/1994 Giardiello D10/30
D356,738 S * 3/1995 Williams D10/6
D360,366 S * 7/1995 McGill D10/6
D432,023 S * 10/2000 Fox D10/2
D509,447 S * 9/2005 Scheufele D10/39
D517,432 S * 3/2006 Laucella D10/39
D560,513 S * 1/2008 Glassman D10/39
D619,024 S * 7/2010 Jeanneret D10/126
D627,249 S * 11/2010 Dias D10/129
D646,183 S * 10/2011 De Witt D10/38
D657,707 S * 4/2012 Koutsolioutsos D11/56
D666,115 S * 8/2012 Calvani D10/126
D690,615 S * 10/2013 Koutsolioutsos D10/128
D693,719 S * 11/2013 Calvani D10/126
2013/0111342 A1 * 5/2013 Alameh et al. 715/702

* cited by examiner

Primary Examiner — Martie K Holtje

(74) *Attorney, Agent, or Firm* — Kilpatrick Townsend & Stockton LLP

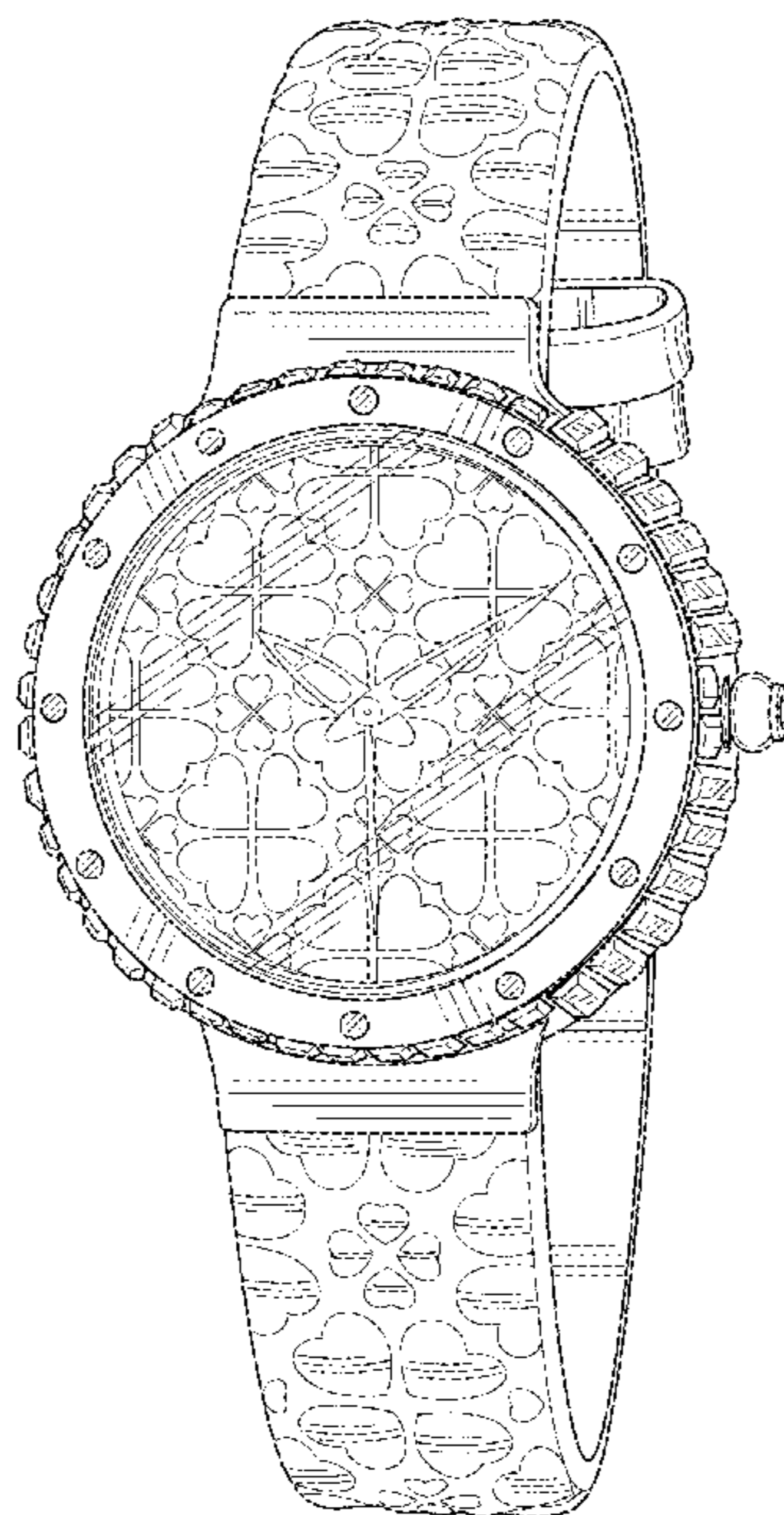
(57) **CLAIM**

The ornamental design for a watch, as shown and described.

DESCRIPTION

FIG. 1 is a right front perspective view of a watch showing my new design with the band in a closed configuration;
FIG. 2 is a top plan view thereof drawn to a reduced scale, with the band in an opened configuration;
FIG. 3 is a bottom plan view of FIG. 2;
FIG. 4 is a right side elevational view of FIG. 2; and,
FIG. 5 is a left side elevational view of FIG. 2.
The structural feature depicted by broken lines in FIG. 3 has been shown for the purpose of illustrating a portion of the watch that forms no part of the claimed design.

1 Claim, 5 Drawing Sheets



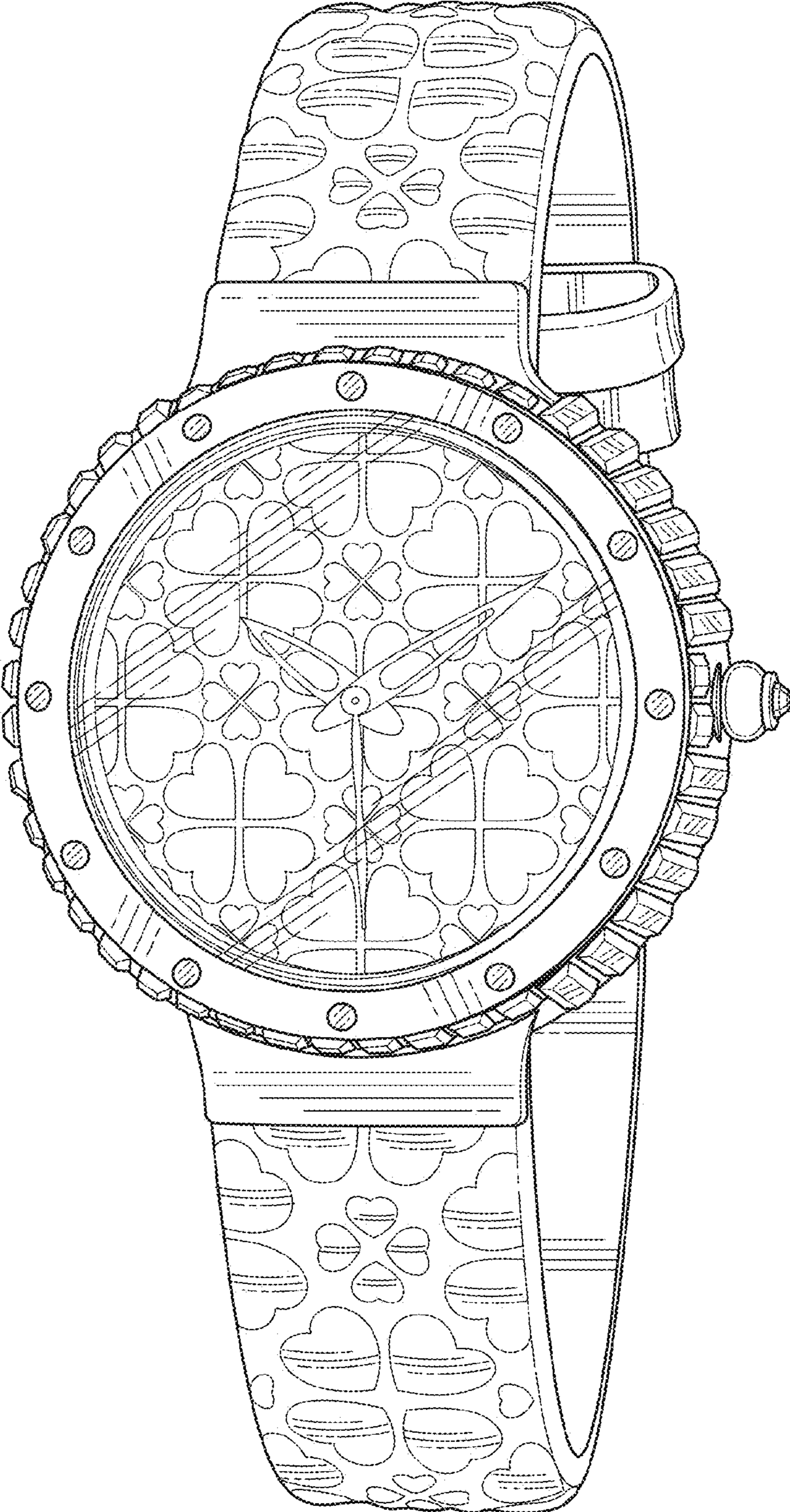


FIG. 1

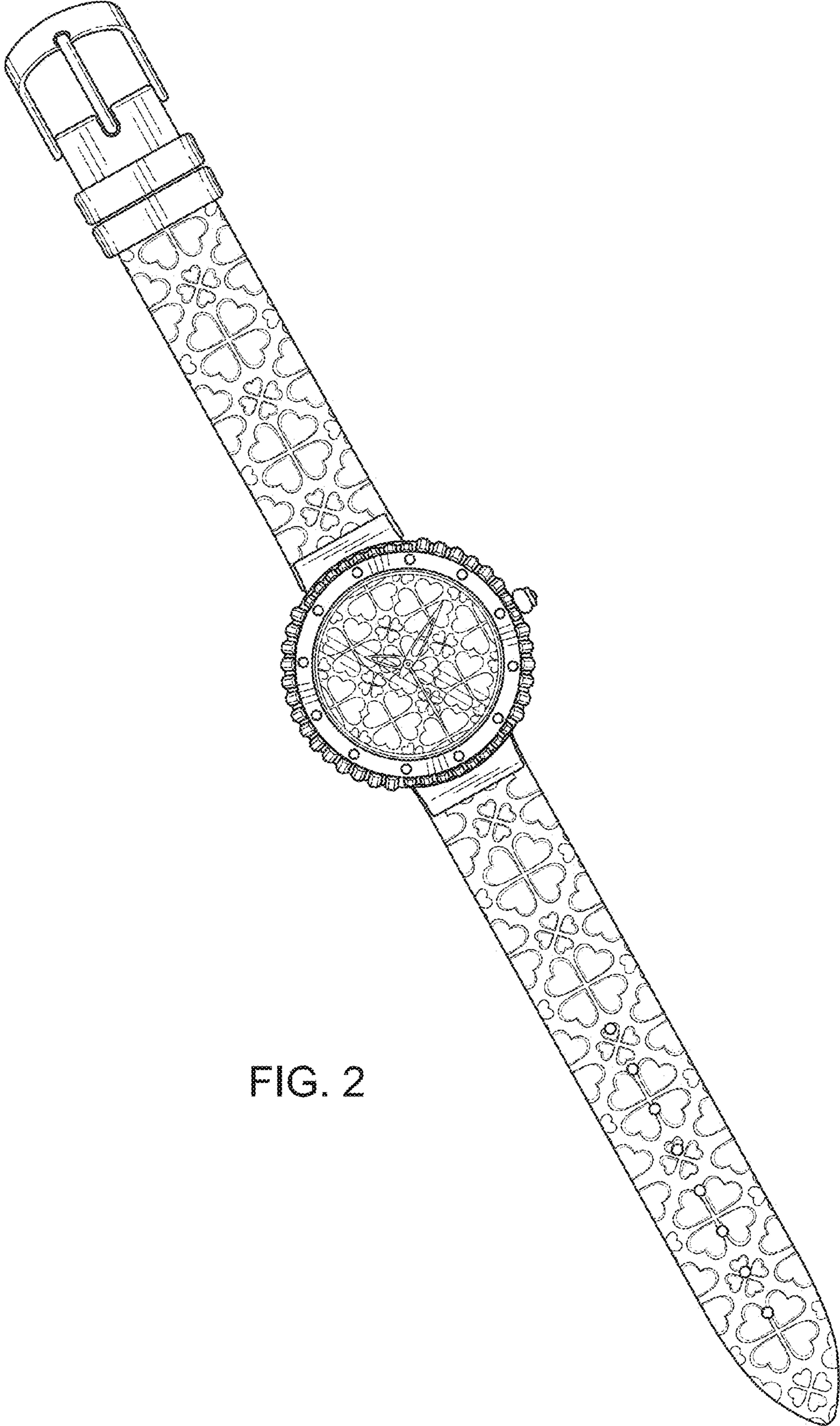


FIG. 2

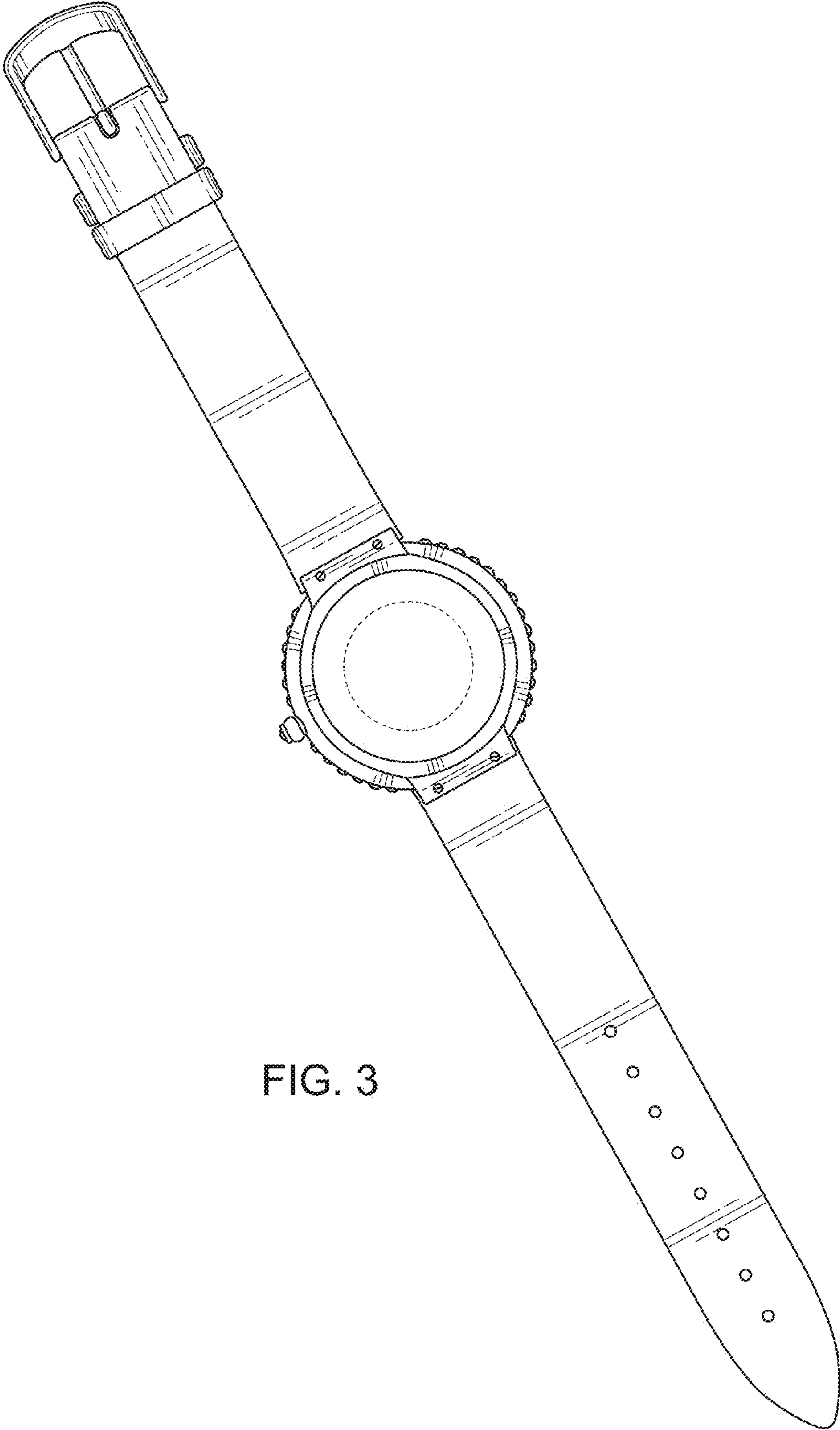


FIG. 3

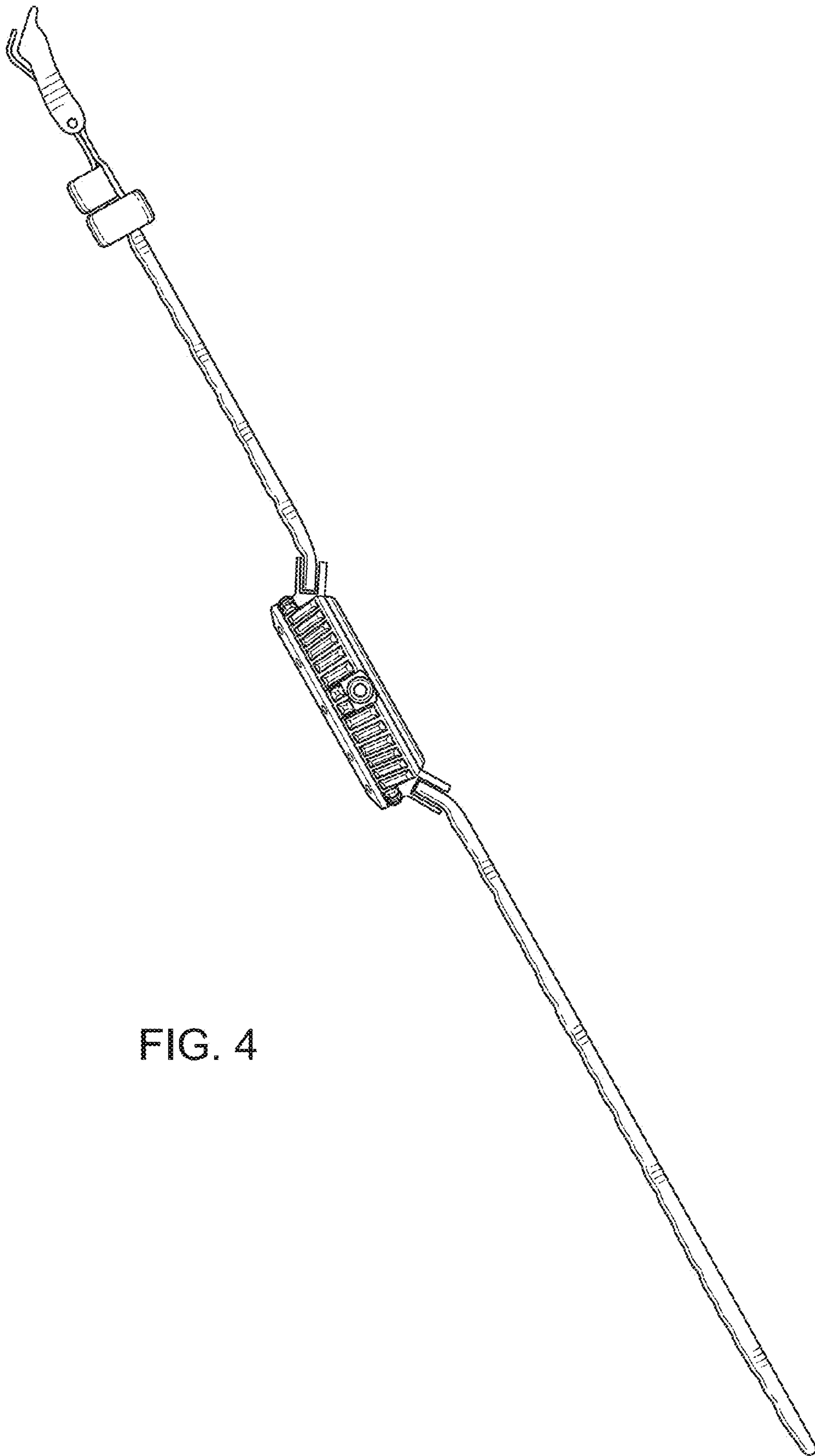


FIG. 4

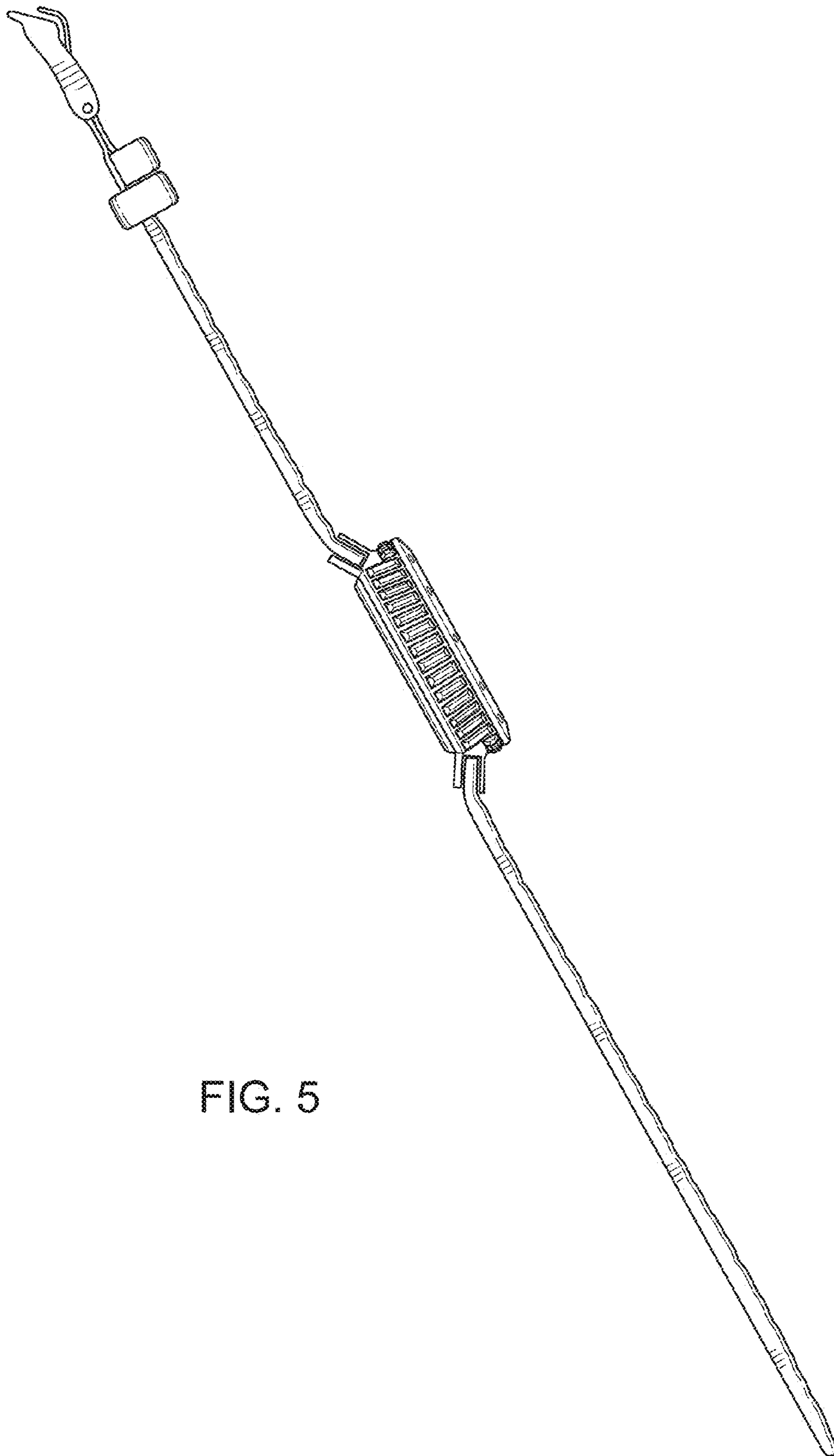


FIG. 5