



US00D743812S

(12) **United States Design Patent**
Lamb et al.

(10) **Patent No.:** **US D743,812 S**
(45) **Date of Patent:** **** Nov. 24, 2015**

(54) **RIGID RIBBED TRAY**

(75) Inventors: **James Ralph Lamb**, Appleton, WI (US); **Timothy John Fast**, Appleton, WI (US)

(73) Assignee: **Curwood, Inc.**, Oshkosh, WI (US)

(**) Term: **14 Years**

(21) Appl. No.: **29/416,331**

(22) Filed: **Mar. 21, 2012**

Related U.S. Application Data

(63) Continuation-in-part of application No. 29/413,094, filed on Feb. 10, 2012, now Pat. No. Des. 683,619.

(51) **LOC (10) Cl.** **09-03**

(52) **U.S. Cl.**
USPC **D9/759**; D9/425

(58) **Field of Classification Search**
USPC D9/414, 418, 424, 425, 428, 429, 500, D9/759, 761; D7/354, 619, 629; 229/400-406, 932, 906.1; 220/574, 220/656-659, 669-675, 780-781, 912, 220/4.21-4.27; 206/459.5, 553, 557, 541, 206/775, 776

See application file for complete search history.

(56) **References Cited**

U.S. PATENT DOCUMENTS

3,764,057	A	10/1973	Reifers et al.
D295,500	S	5/1988	Hoenninger
5,099,994	A	3/1992	Kalinski et al.
D368,426	S	4/1996	Kaplan
5,593,610	A	1/1997	Minerich et al.
5,797,495	A	8/1998	Lerrick
D467,800	S	12/2002	Chen et al.
D538,640	S	3/2007	Limber
D544,790	S	6/2007	Bouveret et al.

D547,179	S	7/2007	Bouveret et al.	
D559,041	S	1/2008	Gartz et al.	
D580,750	S *	11/2008	Claassen et al.	D9/428
D608,585	S *	1/2010	Picozza et al.	D7/354
D620,305	S	7/2010	Tosdale et al.	
D646,160	S *	10/2011	Shiffer et al.	D9/428
D647,396	S *	10/2011	Facchina et al.	D9/428
2001/0003341	A1 *	6/2001	Gentry et al.	220/574
2001/0040161	A1 *	11/2001	Peters	220/4.23
2002/0175171	A1 *	11/2002	Stewart et al.	220/781
2006/0138152	A1 *	6/2006	Pelletier et al.	220/675
2006/0278634	A1 *	12/2006	Wong	220/4.21
2007/0080163	A1 *	4/2007	Yeung	220/675
2007/0114231	A1 *	5/2007	Blythe et al.	220/4.21
2008/0296307	A1 *	12/2008	Liebzeit	220/657
2009/0186132	A1 *	7/2009	Mangino et al.	426/120
2009/0188932	A1 *	7/2009	Fujii	220/780
2010/0155289	A1 *	6/2010	Nazareth et al.	206/557
2011/0132796	A1 *	6/2011	Epstein et al.	206/557
2011/0139660	A1 *	6/2011	Cabell et al.	206/459.5

OTHER PUBLICATIONS

Hormel Foods Corporation, Hormel® Microwave Meals Tray; Austin, Minnesota.

* cited by examiner

Primary Examiner — Eric Goodman

Assistant Examiner — Bao-Yen Nguyen

(74) *Attorney, Agent, or Firm* — Tom J. Hall

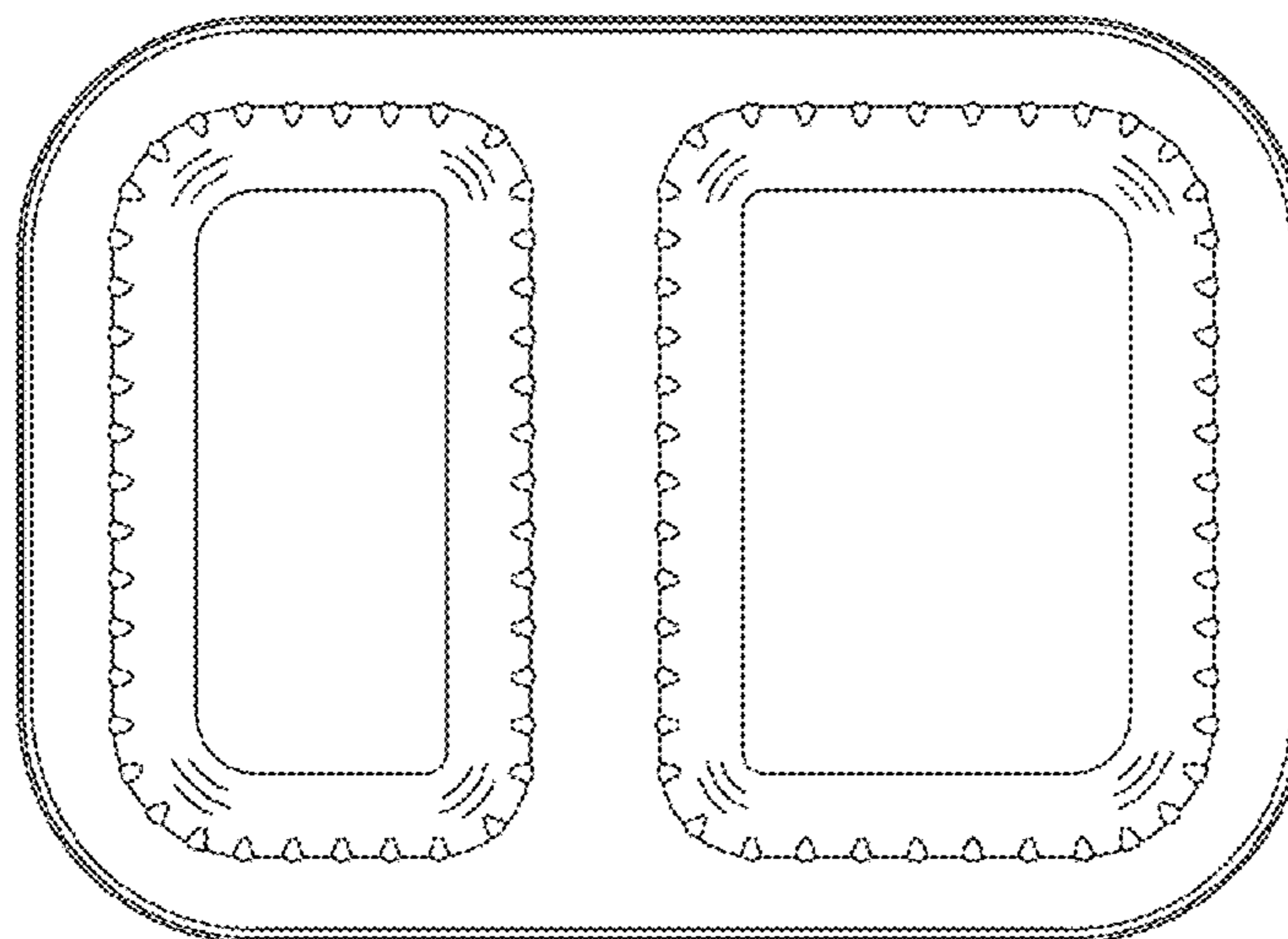
(57) **CLAIM**

The ornamental design for a rigid ribbed tray, as shown and described.

DESCRIPTION

FIG. 1 is a top plan view of a rigid ribbed tray showing my new design;
FIG. 2 is a top front perspective view thereof;
FIG. 3 is a bottom plan view thereof; and,
FIG. 4 is a side view thereof.

1 Claim, 4 Drawing Sheets



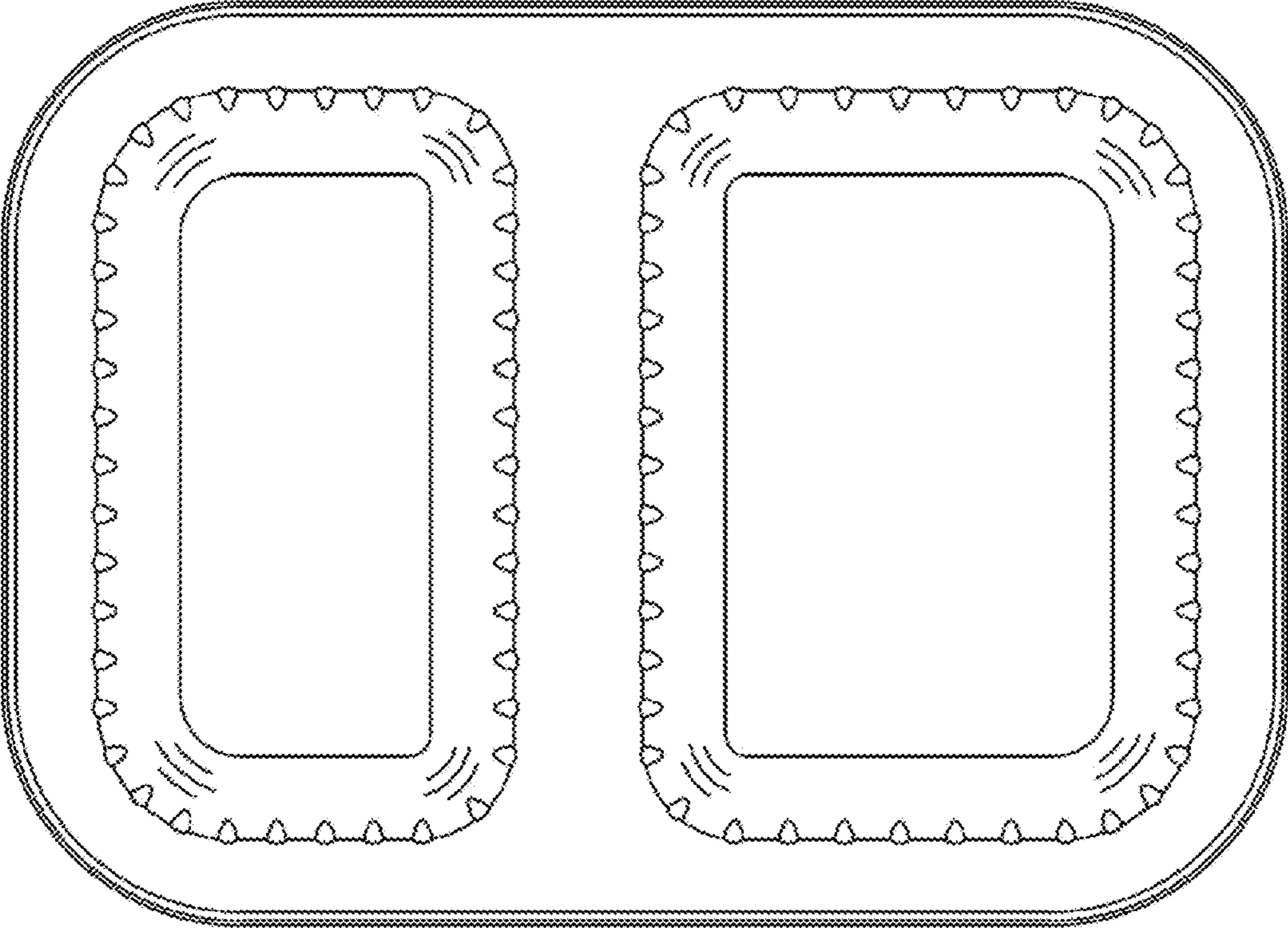


FIG. 1

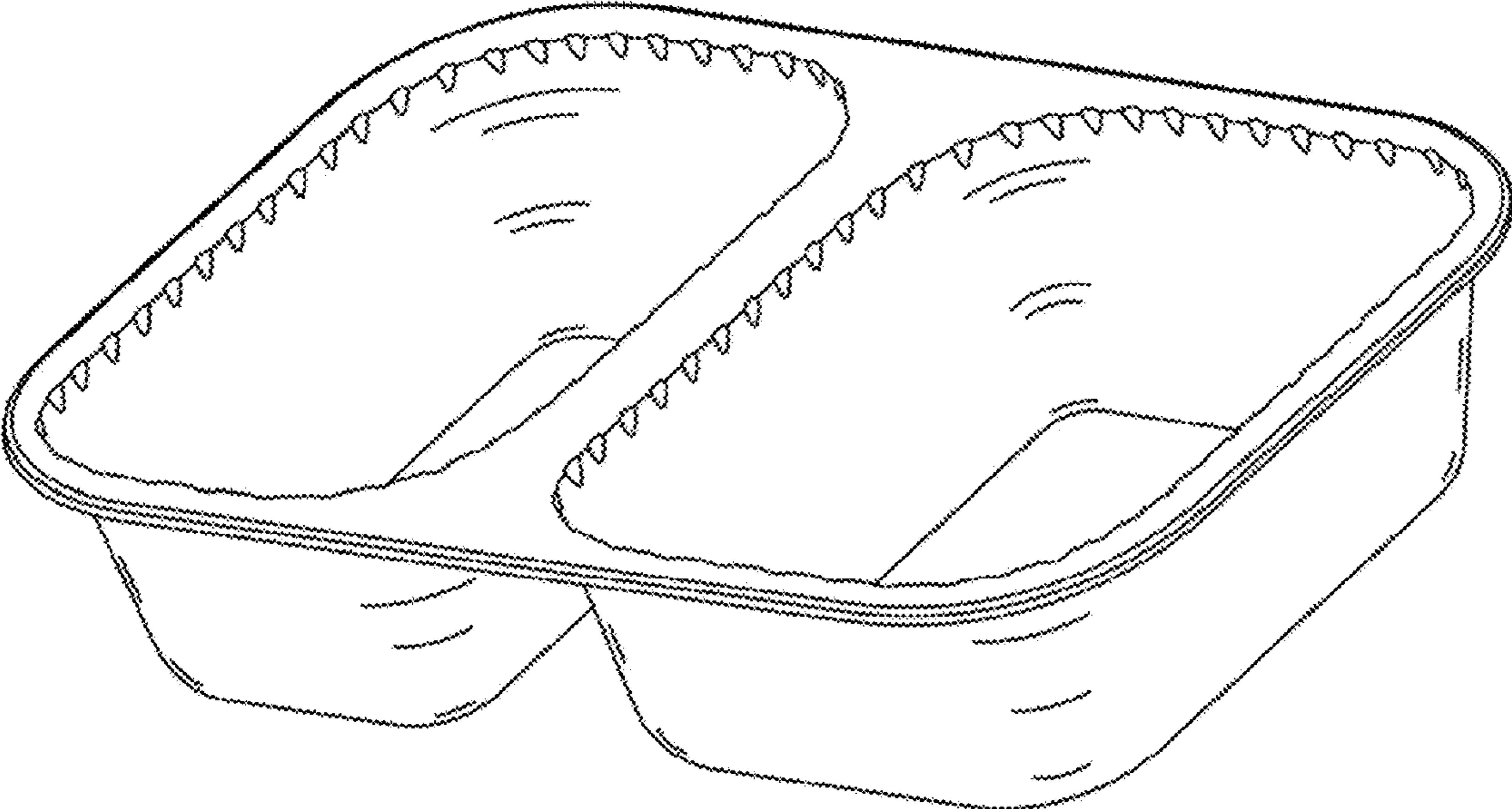


FIG. 2

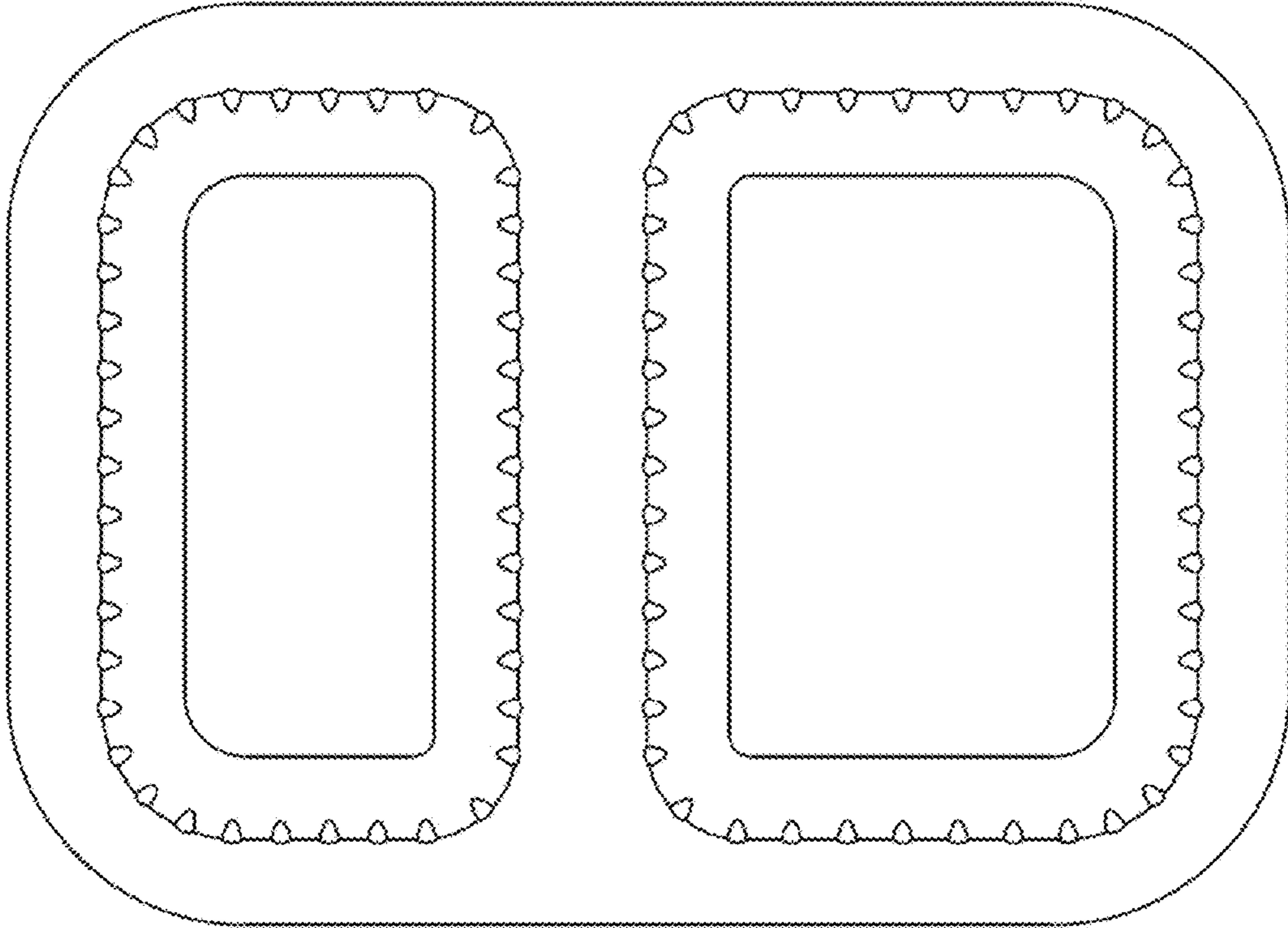


FIG. 3

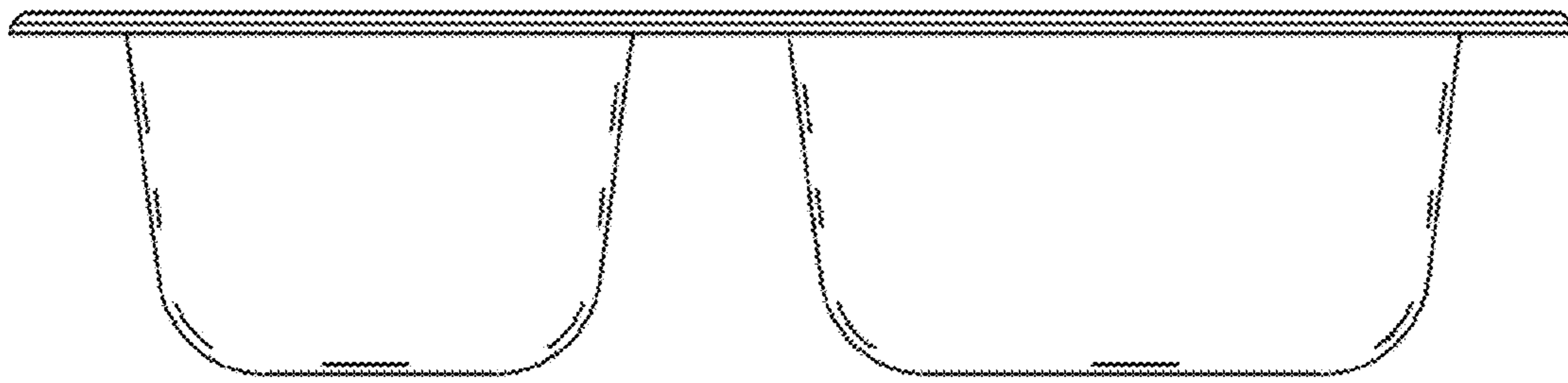


FIG. 4