



US00D743811S

(12) **United States Design Patent**
Lebeau

(10) **Patent No.:** **US D743,811 S**
(45) **Date of Patent:** **** Nov. 24, 2015**

(54) **PACKAGING FOR SPLIT-CUP CONTAINERS**

(56)

References Cited

(71) Applicant: **GEOSAF, INC.**, Montreal (CA)

(72) Inventor: **Thomas Lebeau**, Montreal (CA)

(73) Assignee: **GEOSAF, INC.**, Montreal (CA)

(**) Term: **14 Years**

(21) Appl. No.: **29/470,198**

(22) Filed: **Oct. 18, 2013**

(51) **LOC (10) Cl.** **09-05**

(52) **U.S. Cl.**
USPC **D9/711**

(58) **Field of Classification Search**
USPC D9/414-434, 442-445, 456-457, 542,
D9/563, 600, 614-624, 655, 657, 658, 661,
D9/695, 697-699, 707-708, 711,
D9/772-776; D7/601, 602, 538, 540,
D7/550.1; D19/1-3, 9-11, 86; D20/22,
D20/30-33, 42, 43

CPC B65D 5/00; B65D 5/001; B65D 5/0015;
B65D 5/0227-5/0254; B65D 5/0045; B65D
5/18; B65D 5/2033; B65D 5/38; B65D 5/40;
B65D 1/22; B65D 1/225; B65D 1/24; B65D
1/34; B65D 1/38; B29L 2031/7162; B29L
2031/7164; B29L 2031/7166

See application file for complete search history.

U.S. PATENT DOCUMENTS

| | | | | | |
|-----------|-----|---------|----------------|-------|---------|
| 3,784,000 | A * | 1/1974 | Brown | | 426/115 |
| 4,164,286 | A * | 8/1979 | Sutherland | | 206/434 |
| 4,756,419 | A * | 7/1988 | Le Bras | | 206/430 |
| D304,017 | S * | 10/1989 | Oliff | | D9/433 |
| D360,827 | S * | 8/1995 | Mats | | D9/711 |
| 5,484,059 | A * | 1/1996 | Sutherland | | 206/434 |
| 5,620,094 | A * | 4/1997 | Naumann | | 206/434 |
| 5,765,685 | A * | 6/1998 | Roosa | | 206/434 |
| 5,855,275 | A * | 1/1999 | Hunter et al. | | 206/429 |
| D558,602 | S * | 1/2008 | Kissner et al. | | D9/711 |
| D609,087 | S * | 2/2010 | Dreier et al. | | D9/430 |
| D639,679 | S * | 6/2011 | Kissner et al. | | D9/739 |
| D642,934 | S * | 8/2011 | Ly | | D9/711 |
| D714,639 | S * | 10/2014 | Royer et al. | | D9/433 |
| D718,641 | S * | 12/2014 | Ryan et al. | | D9/711 |

* cited by examiner

Primary Examiner — Susan Bennett Hattan

Assistant Examiner — Vy Koenig

(74) *Attorney, Agent, or Firm* — BCF LLP

(57)

CLAIM

The ornamental design for a packaging for split-cup containers, as shown and described.

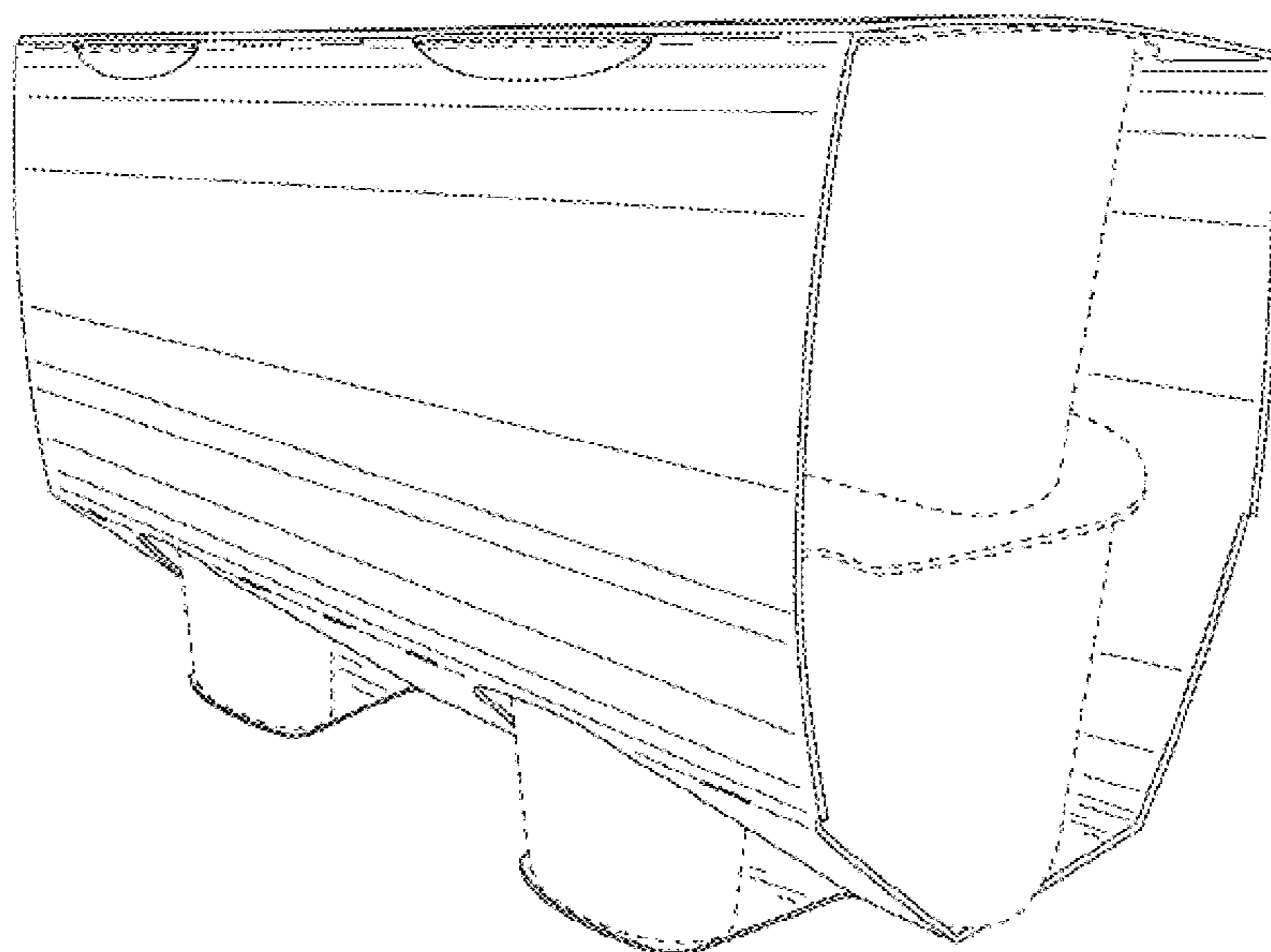
DESCRIPTION

FIG. 1 is a side perspective view of the assembled packaging for split-cup containers, in which the split-cup containers represented in stippled lines are part of the environment and form no part of the design;

FIG. 2 is a side view of the assembled packaging for split-cup containers; and,

FIG. 3 is a bottom perspective view of the assembled packaging for split-cup containers.

1 Claim, 3 Drawing Sheets



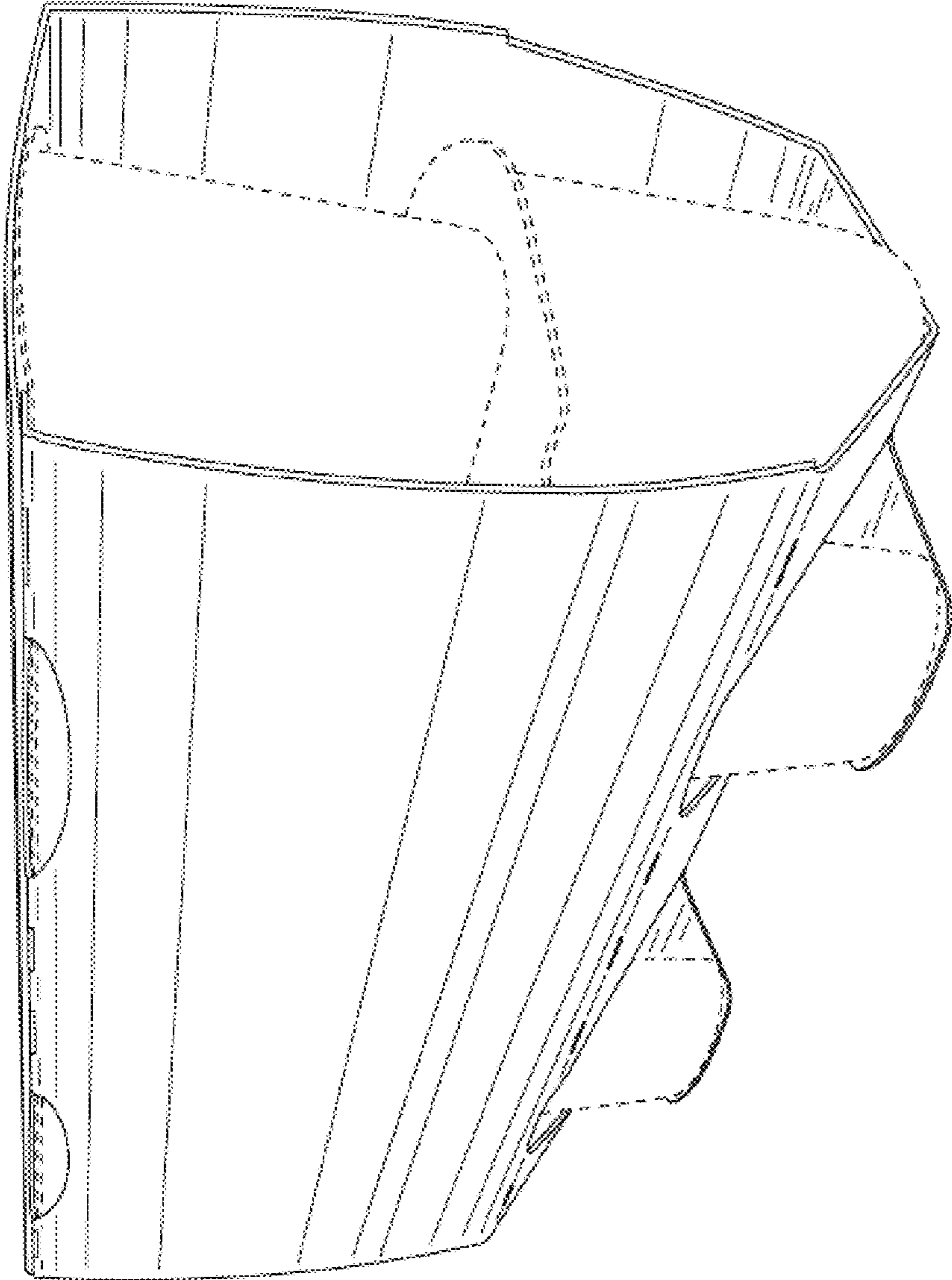


FIG. 1

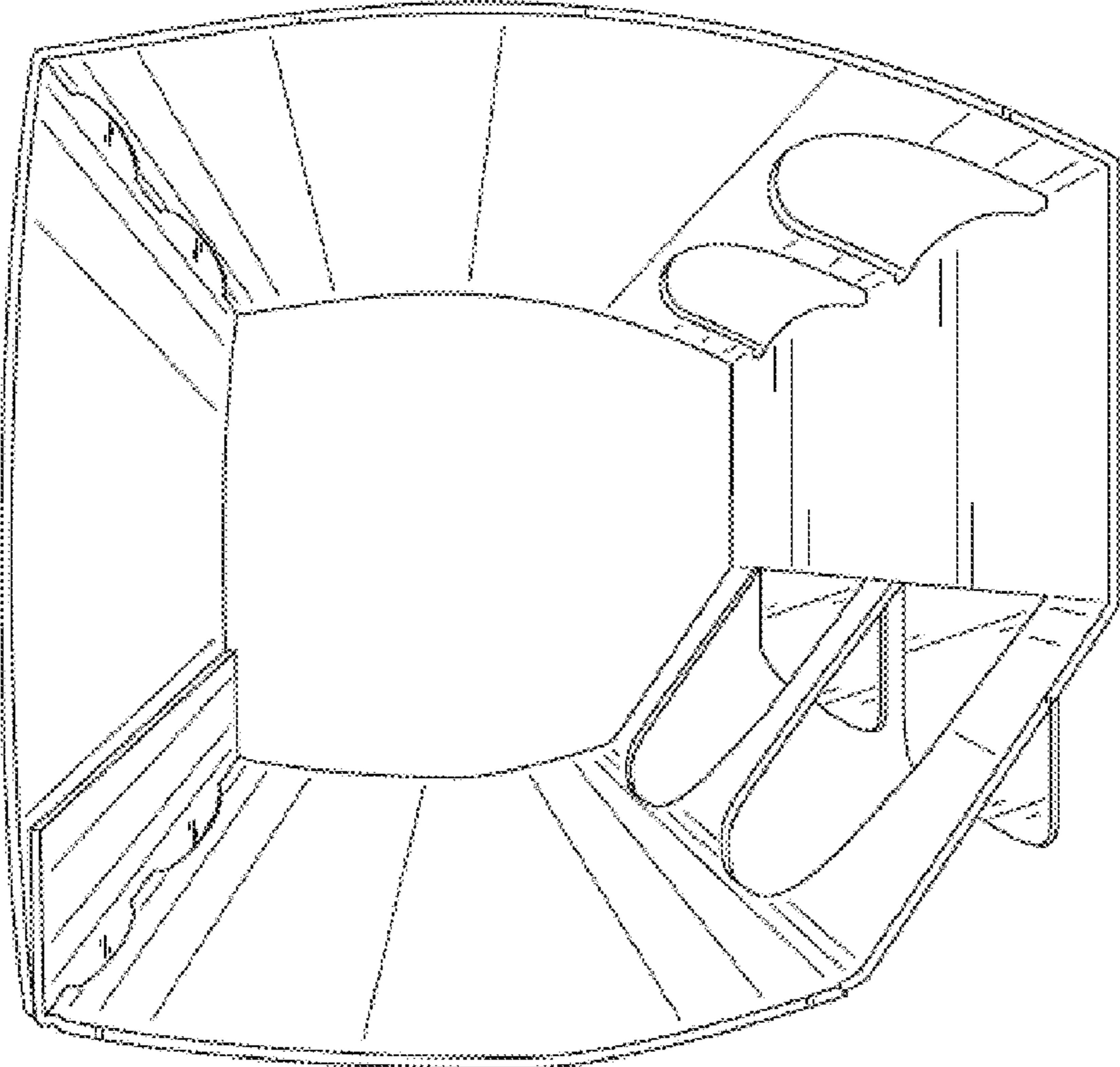


FIG. 2

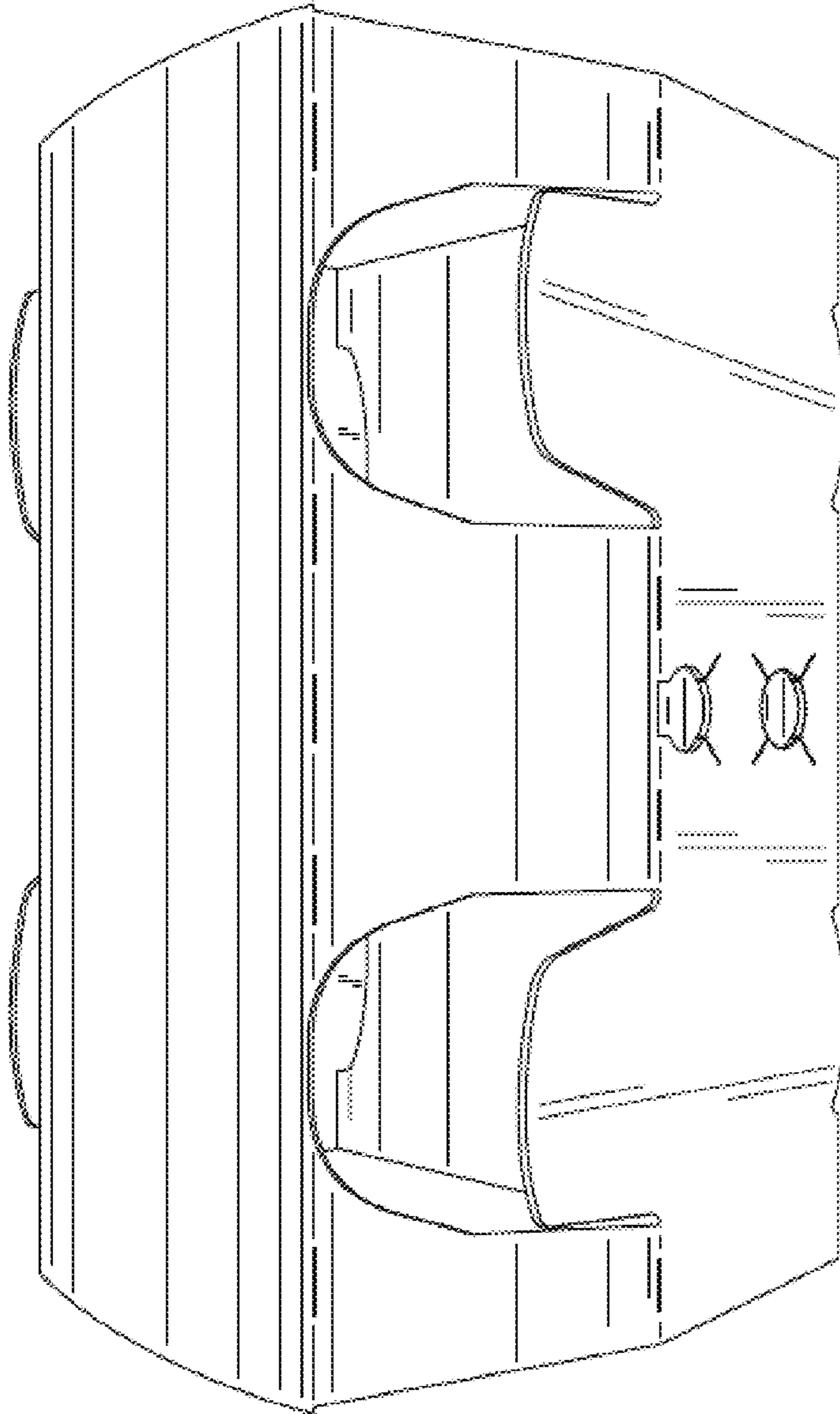


FIG. 3