



US00D743810S

(12) **United States Design Patent**
El-Afandi et al.

(10) **Patent No.:** **US D743,810 S**

(45) **Date of Patent:** **** Nov. 24, 2015**

(54) **EXPANDABLE GUSSETED SLEEVE FOR A POUCH**

(71) Applicant: **General Mills, Inc.**, Minneapolis, MN (US)

(72) Inventors: **Ali El-Afandi**, Maplewood, MN (US);
Todd Purkey, Apple Valley, MN (US);
Christopher Scott, St. Louis Park, MN (US)

(73) Assignee: **General Mills, Inc.**, Minneapolis, MN (US)

(**) Term: **14 Years**

(21) Appl. No.: **29/447,235**

(22) Filed: **Mar. 1, 2013**

(51) **LOC (10) Cl.** **09-05**

(52) **U.S. Cl.**
USPC **D9/711**

(58) **Field of Classification Search**
USPC D9/702-714, 414, 430-33, 715, 425,
D9/721, 760-761, 415, 456, 416; 206/784,
206/457, 822, 223, 557, 561, 299, 770,
206/565; 229/125.05, 902, 938, 87.05,
229/87.01, 87.19, 116.5, 122, 201, 939,
229/942, 100, 101, 101.2, 103.2; 215/400;
D7/354, 553.2, 555, 629, 701, 602;
220/890, 376, 377, 556, 380, 657, 659
See application file for complete search history.

(56) **References Cited**

U.S. PATENT DOCUMENTS

5,873,220 A 2/1999 Haraldsson et al.
6,060,096 A 5/2000 Hanson et al.
6,169,143 B1 1/2001 Dalgewicz, III et al.
6,248,986 B1 6/2001 Tran et al.
D450,578 S * 11/2001 Tomaselli et al. D9/711
D464,875 S * 10/2002 Koppang D9/711
6,719,140 B1 4/2004 Rinsler
D509,728 S * 9/2005 Kato D9/415
7,384,679 B2 6/2008 Blemberg et al.

7,858,909 B2 12/2010 Jackson et al.
D635,469 S * 4/2011 Buitrago D9/711
8,063,344 B2 11/2011 Cole et al.
D654,810 S * 2/2012 Mansouri D9/711
D656,039 S * 3/2012 Schafer D9/711
D668,965 S * 10/2012 Crawford D9/711
D688,568 S * 8/2013 Noel D9/711
D693,242 S * 11/2013 Birchmeier D9/711
2008/0135544 A1 6/2008 Lafferty et al.
2010/0285180 A1 11/2010 Gaylor et al.
2011/0163090 A1 7/2011 Fitzwater

FOREIGN PATENT DOCUMENTS

CN 201165388 12/2008
EP 1466725 10/2004
EP 1541334 6/2005
EP 1541340 2/2007
EP 2 138 410 12/2009
EP 1768710 3/2010
EP 2 230 192 9/2010
EP 1888430 2/2011
JP 2006248576 3/2005
JP 2007022611 2/2007
JP 2007296040 11/2007
JP 2010222050 10/2010
JP 2011088662 5/2011
WO WO-96/15958 5/1996
WO WO-02/38301 5/2002
WO WO-2004/048225 6/2004
WO WO-2004/071754 8/2004
WO WO-2005/014429 2/2005
WO WO-2006/042940 4/2006
WO WO-2006/052326 5/2006
WO WO-2009/032596 3/2009
WO WO 2010/020453 2/2010

* cited by examiner

Primary Examiner — Caron D Veynar

Assistant Examiner — Abraham Bahta

(74) *Attorney, Agent, or Firm* — Diederiks & Whitelaw, PLC; Annette M. Frawley

(57) **CLAIM**

The ornamental design for an expandable gusset sleeve for a pouch, as shown and described.

DESCRIPTION

FIG. 1 is a perspective view of an embodiment of an expandable gusset sleeve for a pouch in a collapsed state;

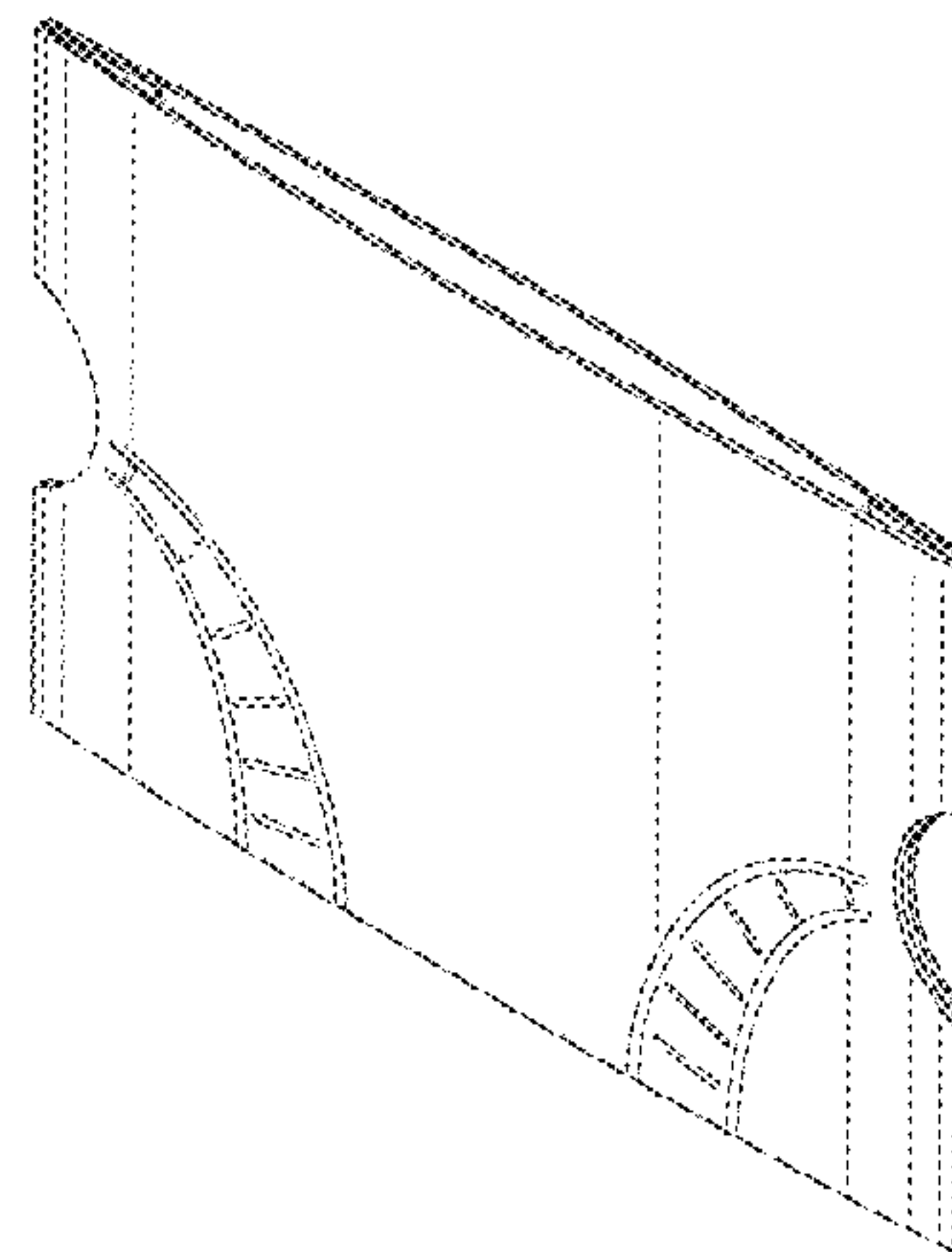
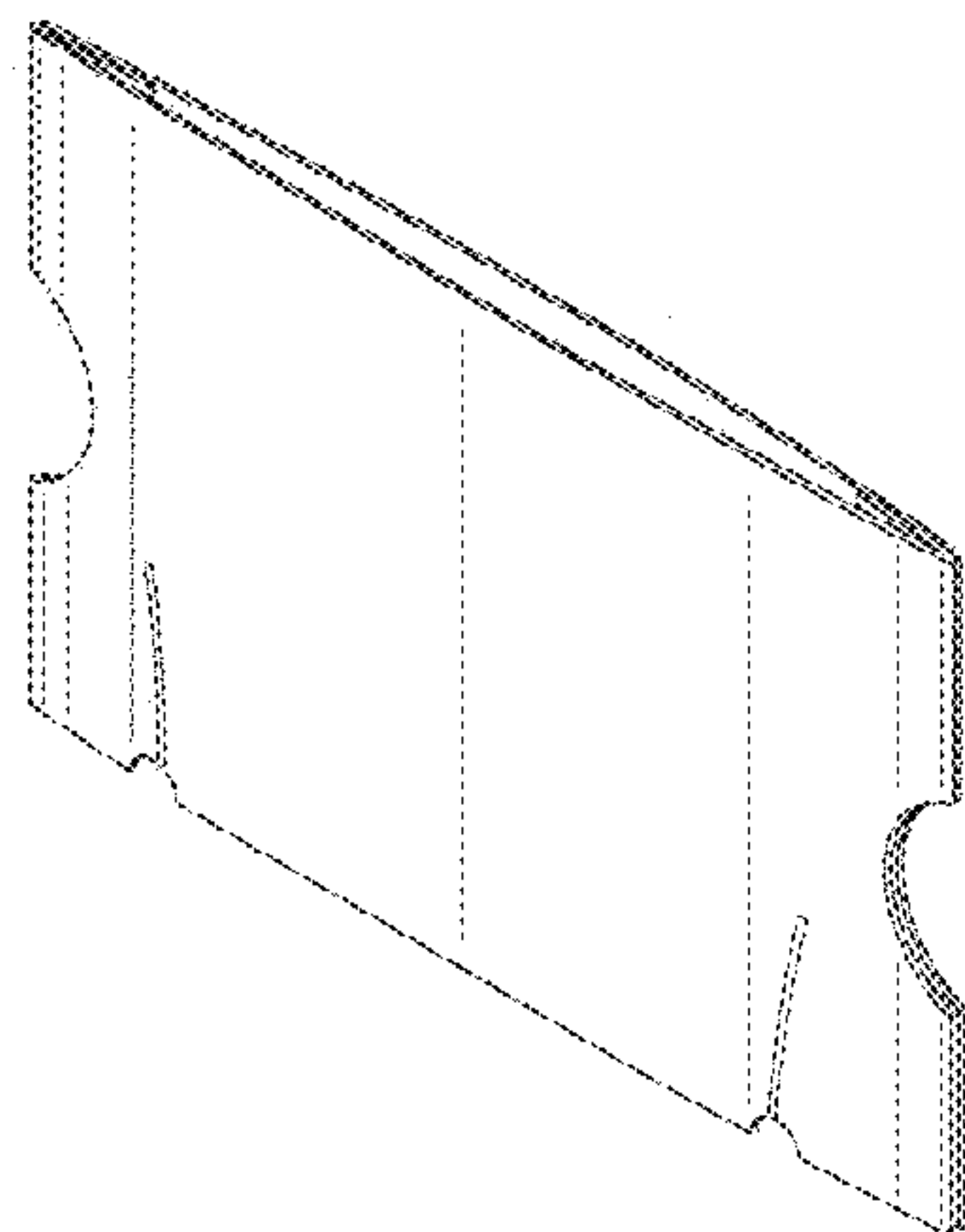


FIG. 2 is a top view of the gusset sleeve of FIG. 1;
FIG. 3 is a bottom view of the gusset sleeve of FIG. 1;
FIG. 4 is an elevational view of a first side of the gusset sleeve of FIG. 1;
FIG. 5 is an elevational view of a second side of the gusset sleeve of FIG. 1, the second side being opposite the first side illustrated in FIG. 4;
FIG. 6 is an elevational view of a right-hand side of the gusset sleeve illustrated in FIGS. 1 and 4;
FIG. 7 is an elevational view of a left-hand side of the gusset sleeve illustrated in FIGS. 1 and 4;
FIG. 8 is a perspective view of the gusset sleeve of FIG. 1 in an expanded state;
FIG. 9 is a top view of the gusset sleeve of FIG. 8;
FIG. 10 is a bottom view of the gusset sleeve of FIG. 8;
FIG. 11 is an elevational view of a first side of the gusset sleeve of FIG. 8;
FIG. 12 is an elevational view of a second side of the gusset sleeve of FIG. 8, the second side being opposite the first side illustrated in FIG. 11;
FIG. 13 is an elevational view of a right-hand side of the gusset sleeve illustrated in FIGS. 8 and 11;
FIG. 14 is an elevational view of a left-hand side of the gusset sleeve illustrated in FIGS. 8 and 11;
FIG. 15 is a perspective view of the gusset sleeve of FIG. 8 with dashed lines illustrating a pouch in an expanded state, wherein a lower section of the pouch is received by and retained within the gusset sleeve and an upper section of the pouch extends out of and away from the gusset sleeve;
FIG. 16 is a perspective view of the gusset sleeve of FIG. 15 with the upper section of the pouch removed;
FIG. 17 is a perspective view of another embodiment of an expandable gusset sleeve for a pouch in a collapsed state;
FIG. 18 is a top view of the gusset sleeve of FIG. 17;
FIG. 19 is a bottom view of the gusset sleeve of FIG. 17;
FIG. 20 is an elevational view of a first side of the gusset sleeve of FIG. 17;

FIG. 21 is an elevational view of a second side of the gusset sleeve of FIG. 17, the second side being opposite the first side illustrated in FIG. 20;
FIG. 22 is an elevational view of a right-hand side of the gusset sleeve illustrated in FIGS. 17 and 20;
FIG. 23 is an elevational view of a left-hand side of the gusset sleeve illustrated in FIGS. 17 and 20;
FIG. 24 is a perspective view of the gusset sleeve of FIG. 17 in an expanded state;
FIG. 25 is a top view of the gusset sleeve of FIG. 24;
FIG. 26 is a bottom view of the gusset sleeve of FIG. 24;
FIG. 27 is an elevational view of a first side of the gusset sleeve of FIG. 24;
FIG. 28 is an elevational view of a second side of the gusset sleeve of FIG. 24, the second side being opposite the first side illustrated in FIG. 27;
FIG. 29 is an elevational view of a right-hand side of the gusset sleeve illustrated in FIGS. 24 and 27;
FIG. 30 is an elevational view of a left-hand side of the gusset sleeve illustrated in FIGS. 24 and 27;
FIG. 31 is a perspective view of the gusset sleeve of FIG. 24 with dashed lines illustrating a pouch in an expanded state, wherein a lower section of the pouch is received by and retained within the gusset sleeve and an upper section of the pouch extends out of and away from the gusset sleeve; and,
FIG. 32 is a perspective view of the gusset sleeve of FIG. 31 with the upper section of the pouch removed.
Where included, broken lines showing structural and/or other features in the various embodiments of the expandable self-locking gusset sleeve for a pouch are for illustrative purposes only and, as such, form no part of the claimed design. Unless illustrated or stated otherwise, the opposing long sides in any one embodiment of the expandable gusset sleeve for a pouch are substantially identical to one another; and the opposing short sides in any one embodiment of the expandable gusset sleeve for a pouch are substantially identical to one another.

1 Claim, 18 Drawing Sheets

Fig. 1

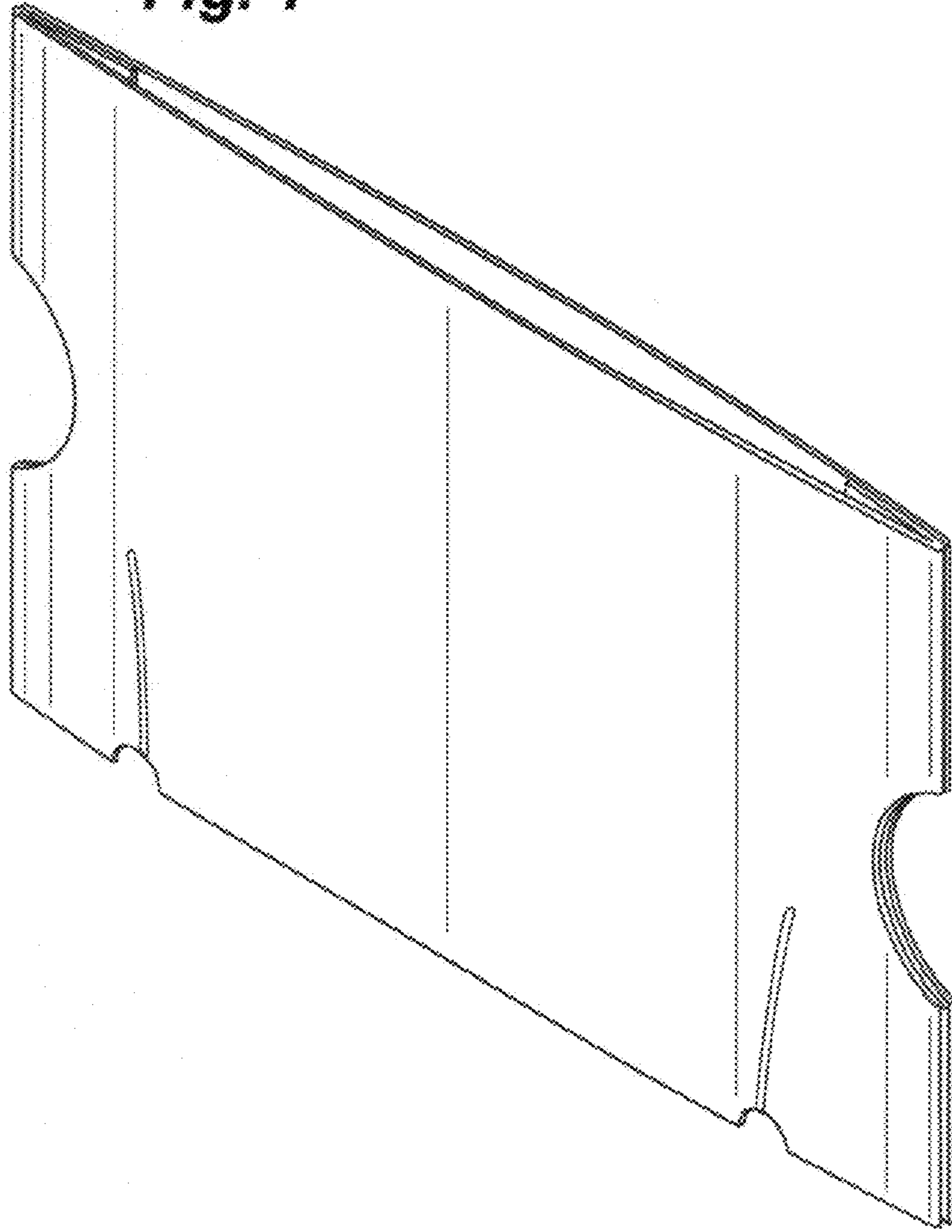


Fig. 2



Fig. 3



Fig. 4

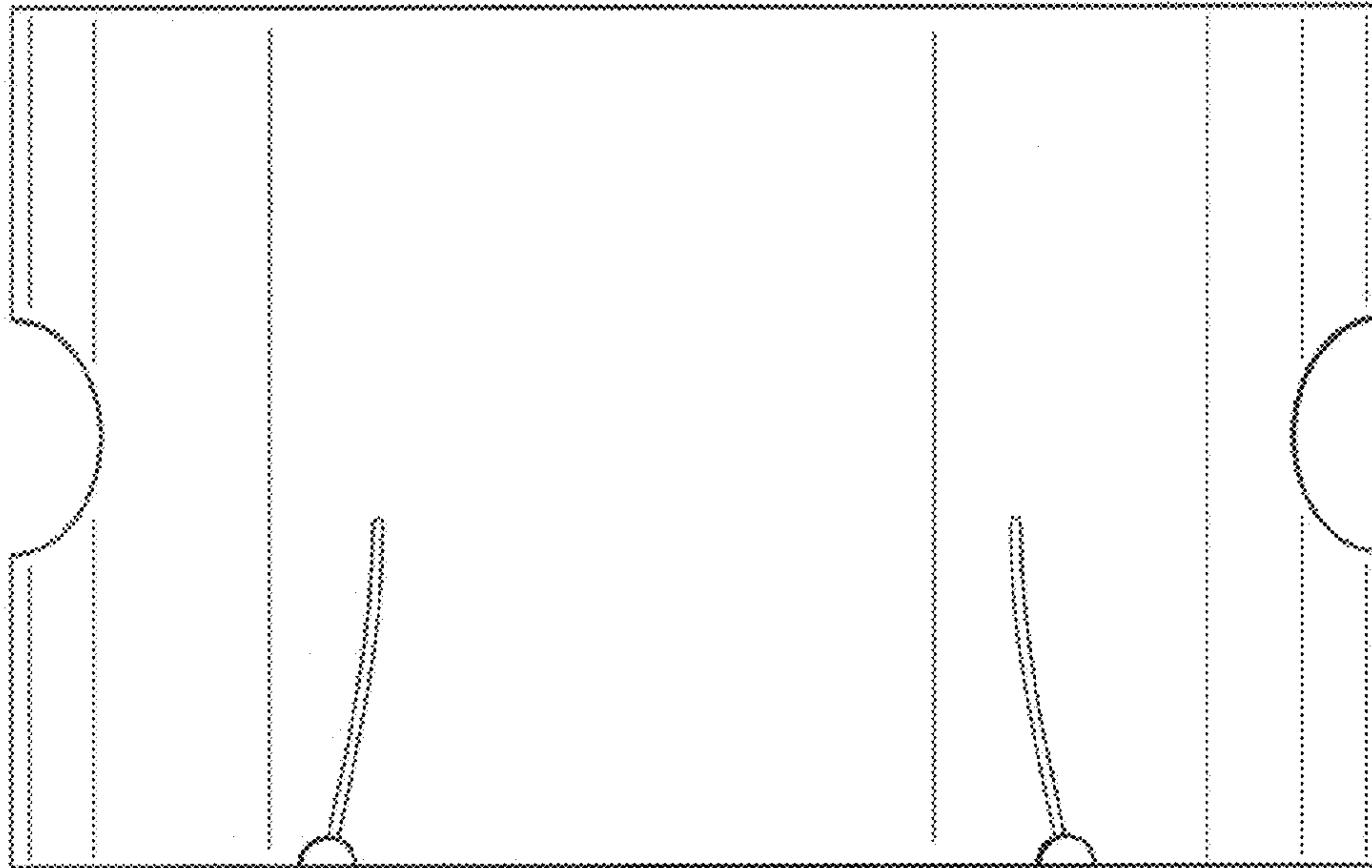


Fig. 5

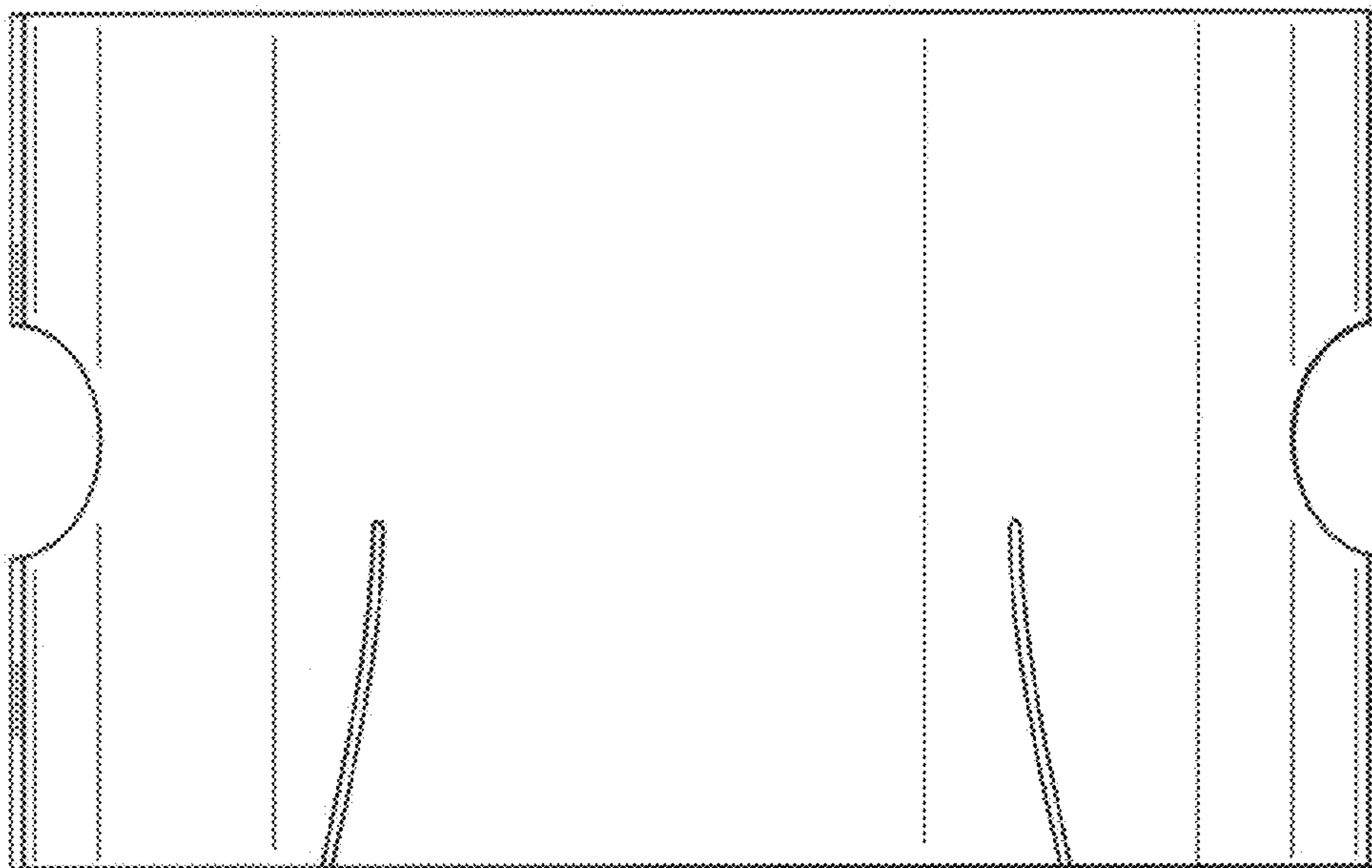


Fig. 6



Fig. 7



Fig. 8

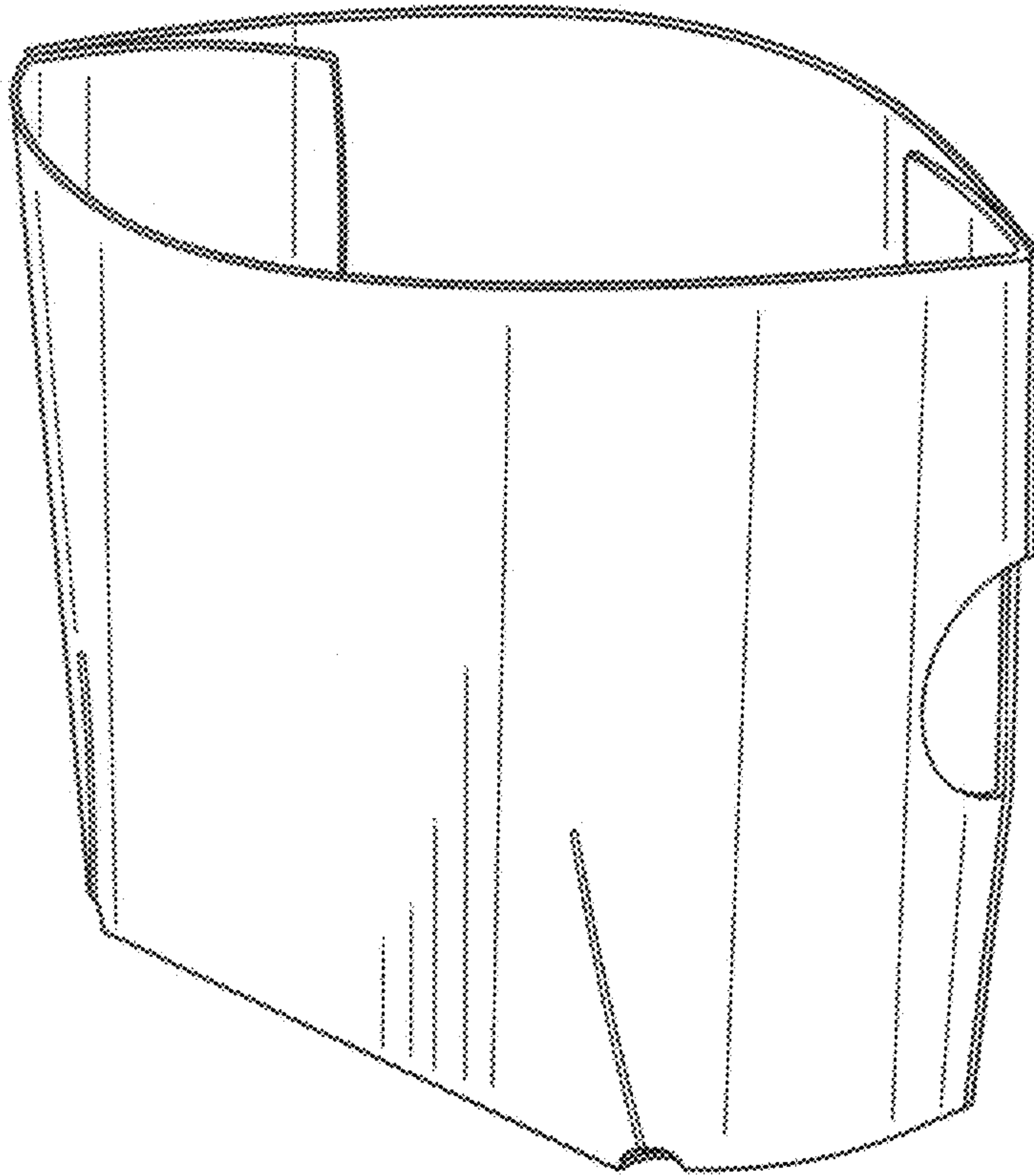


Fig. 9

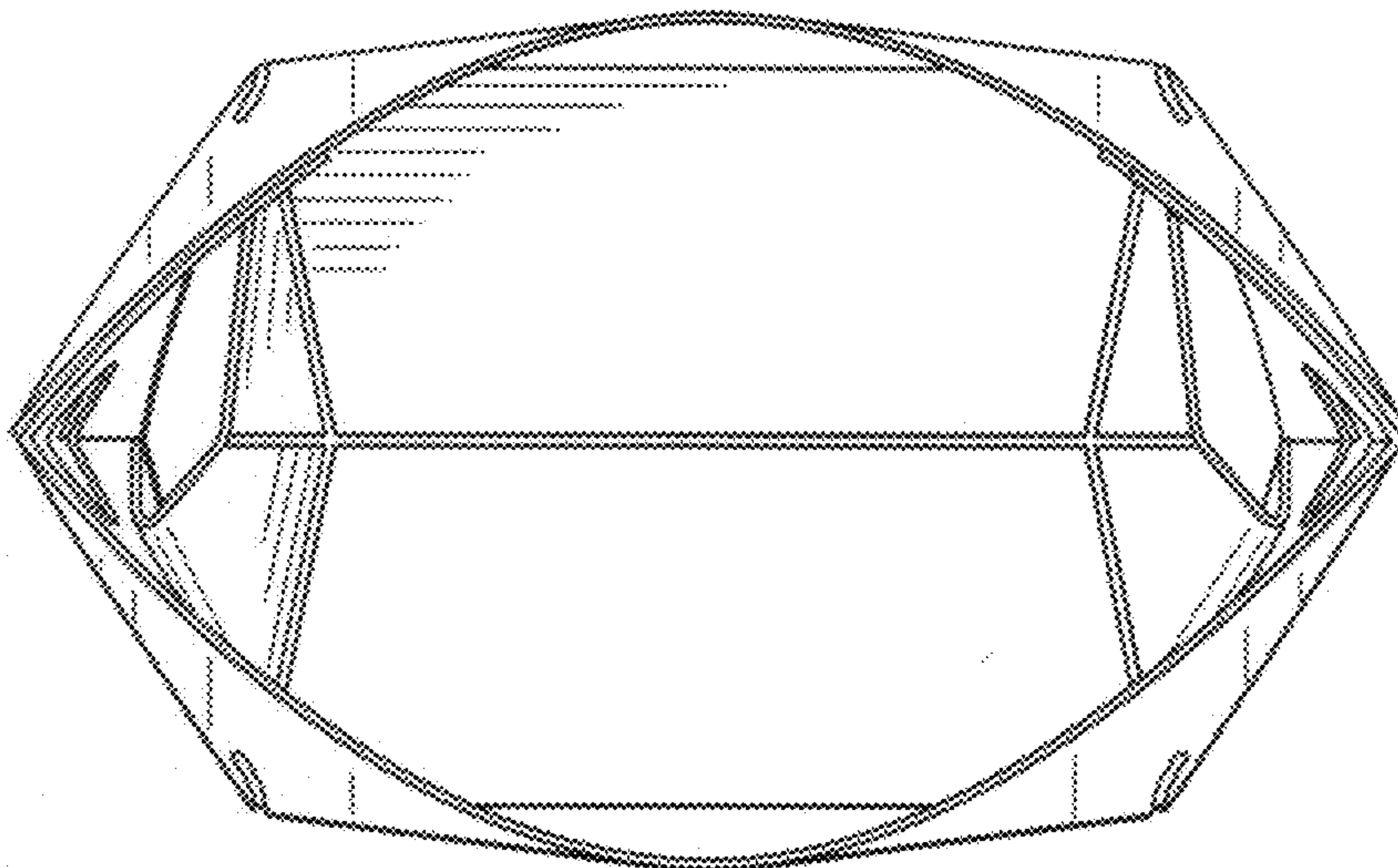


Fig. 10

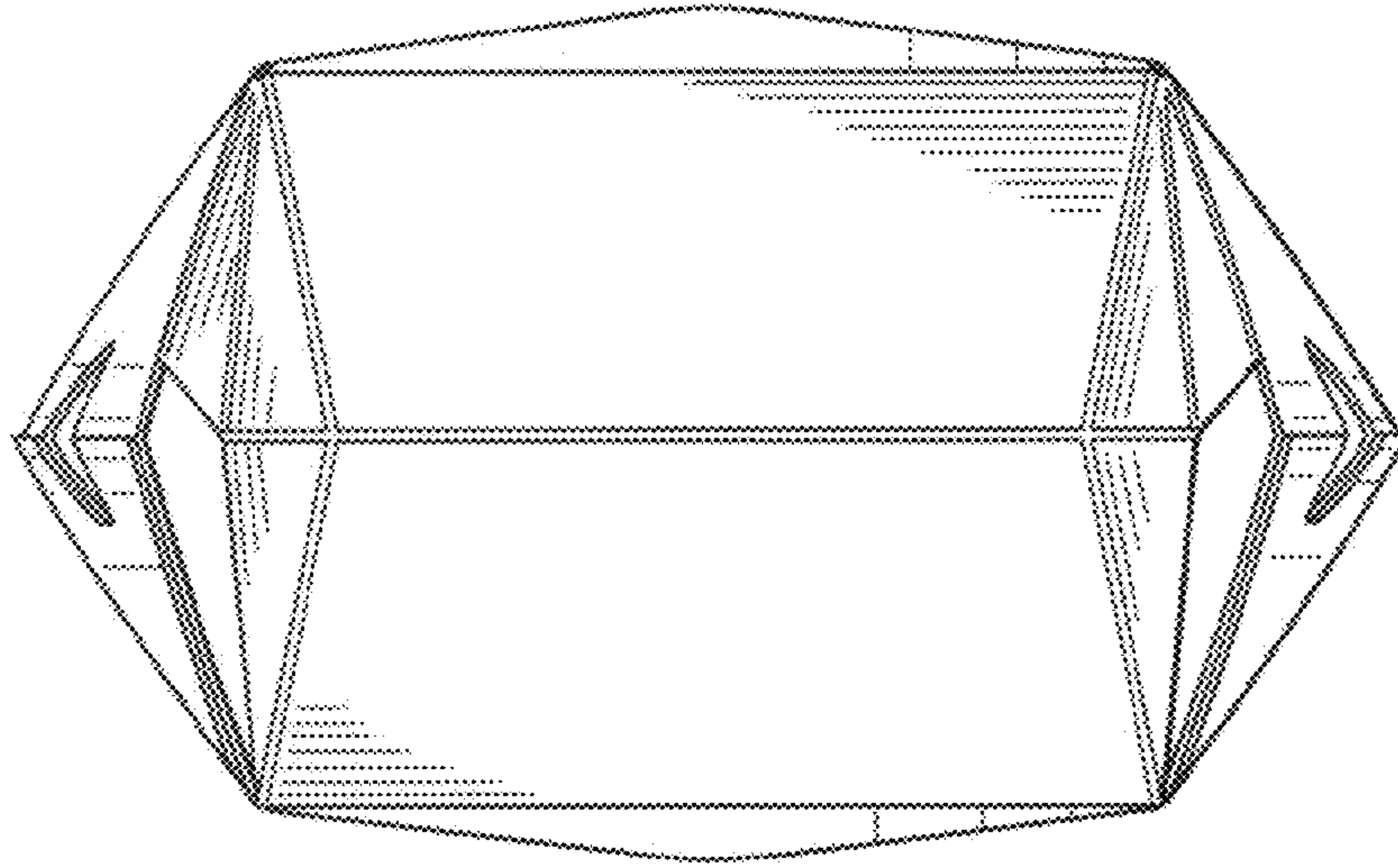


Fig. 11

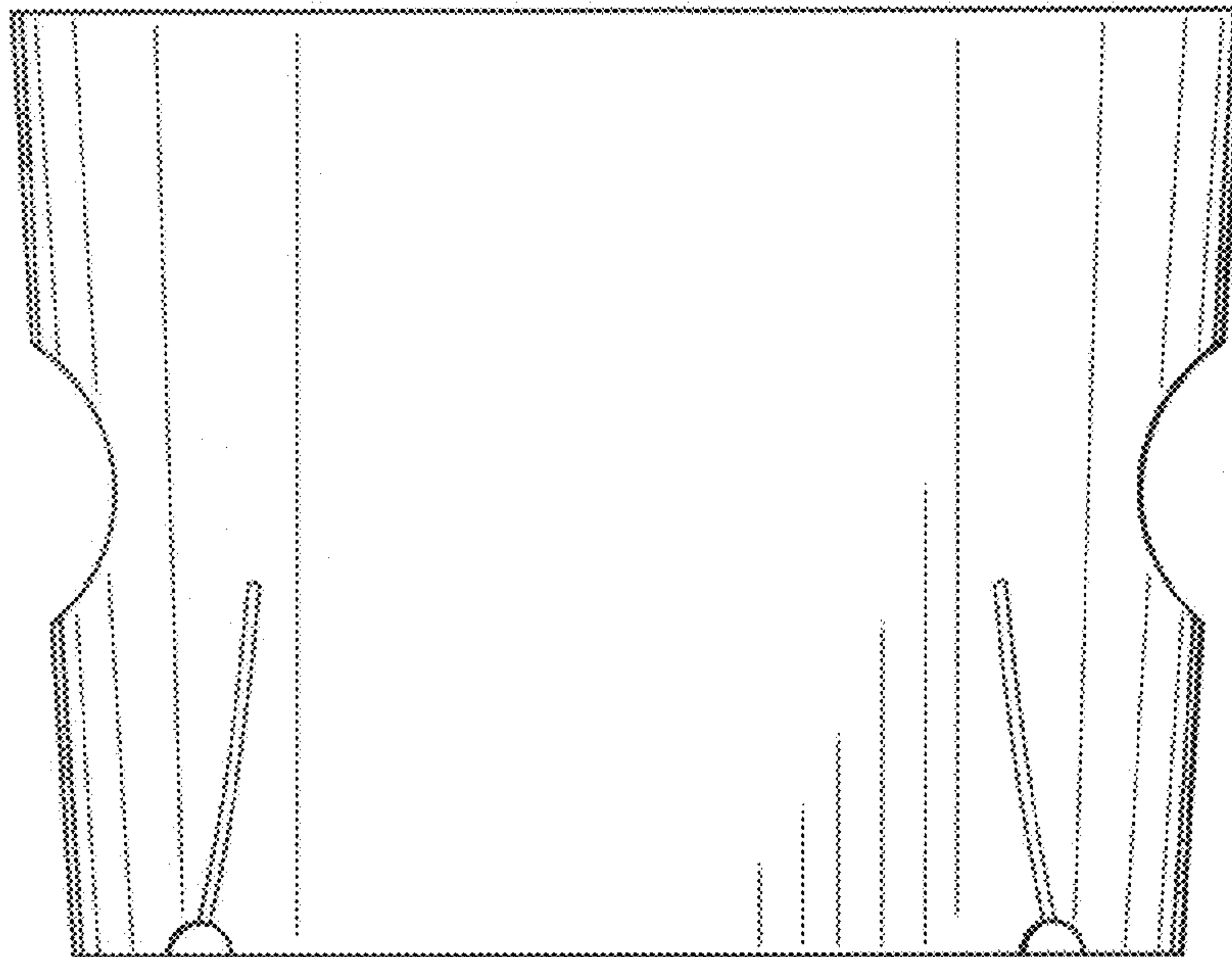


Fig. 12

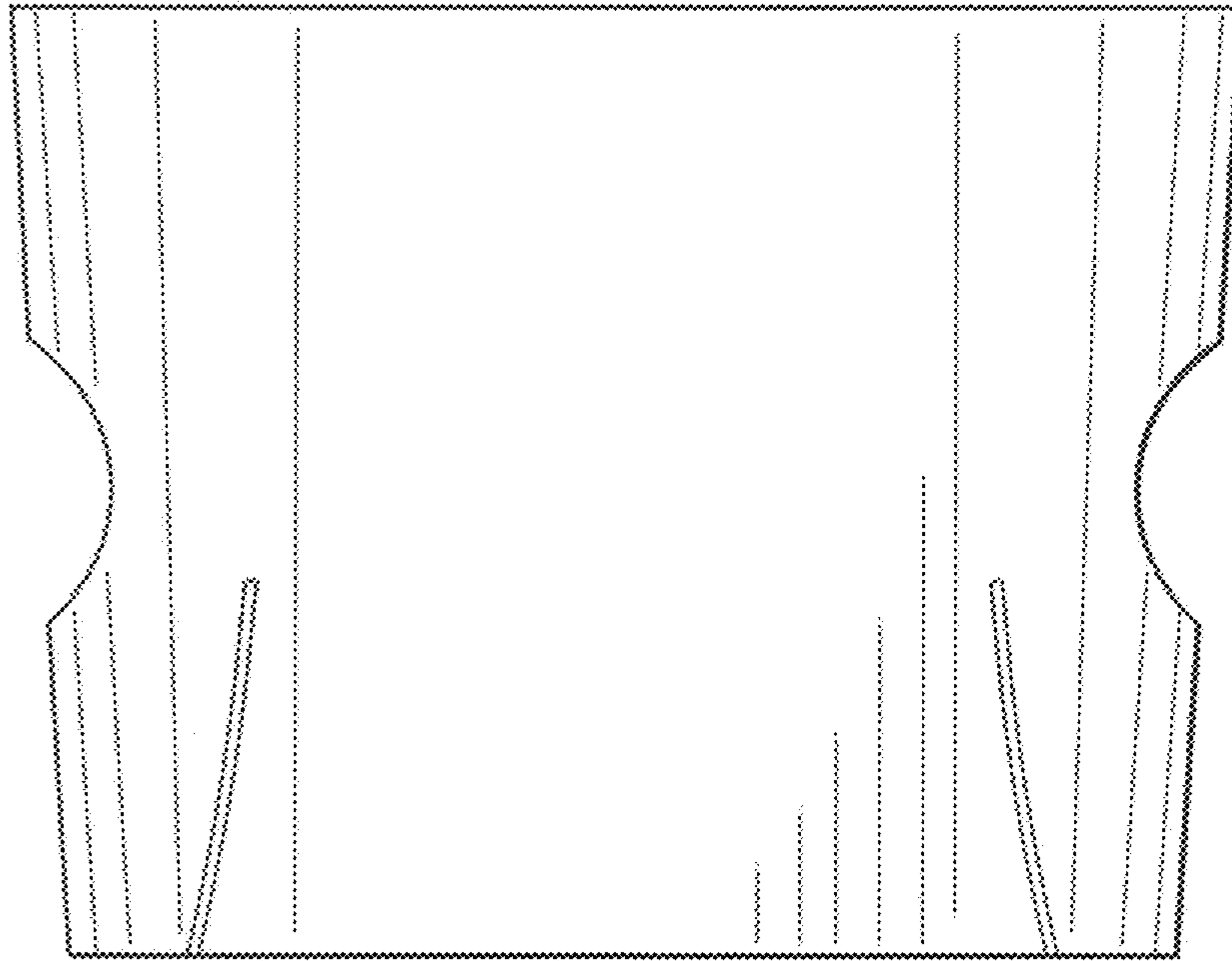


Fig. 13

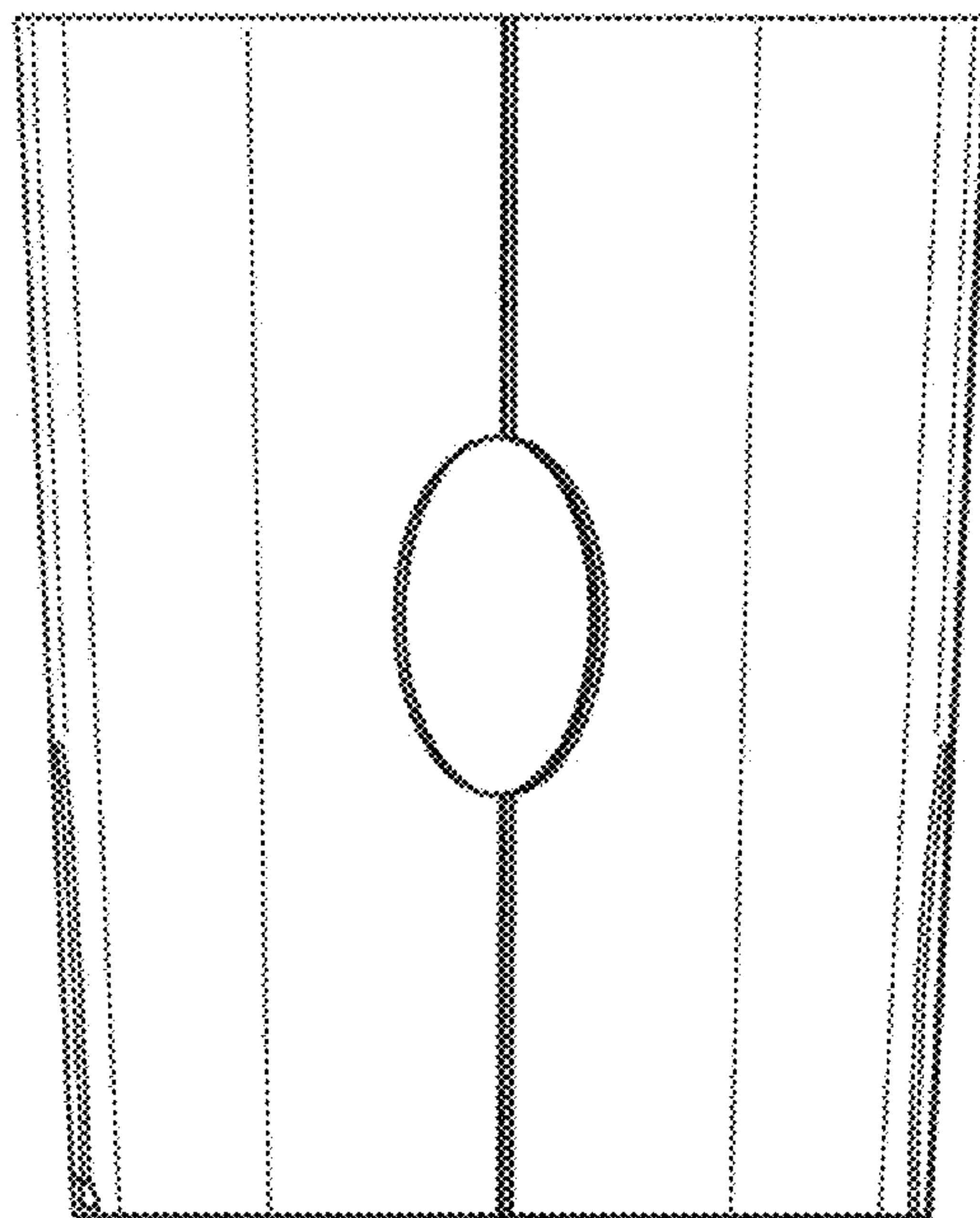


Fig. 14

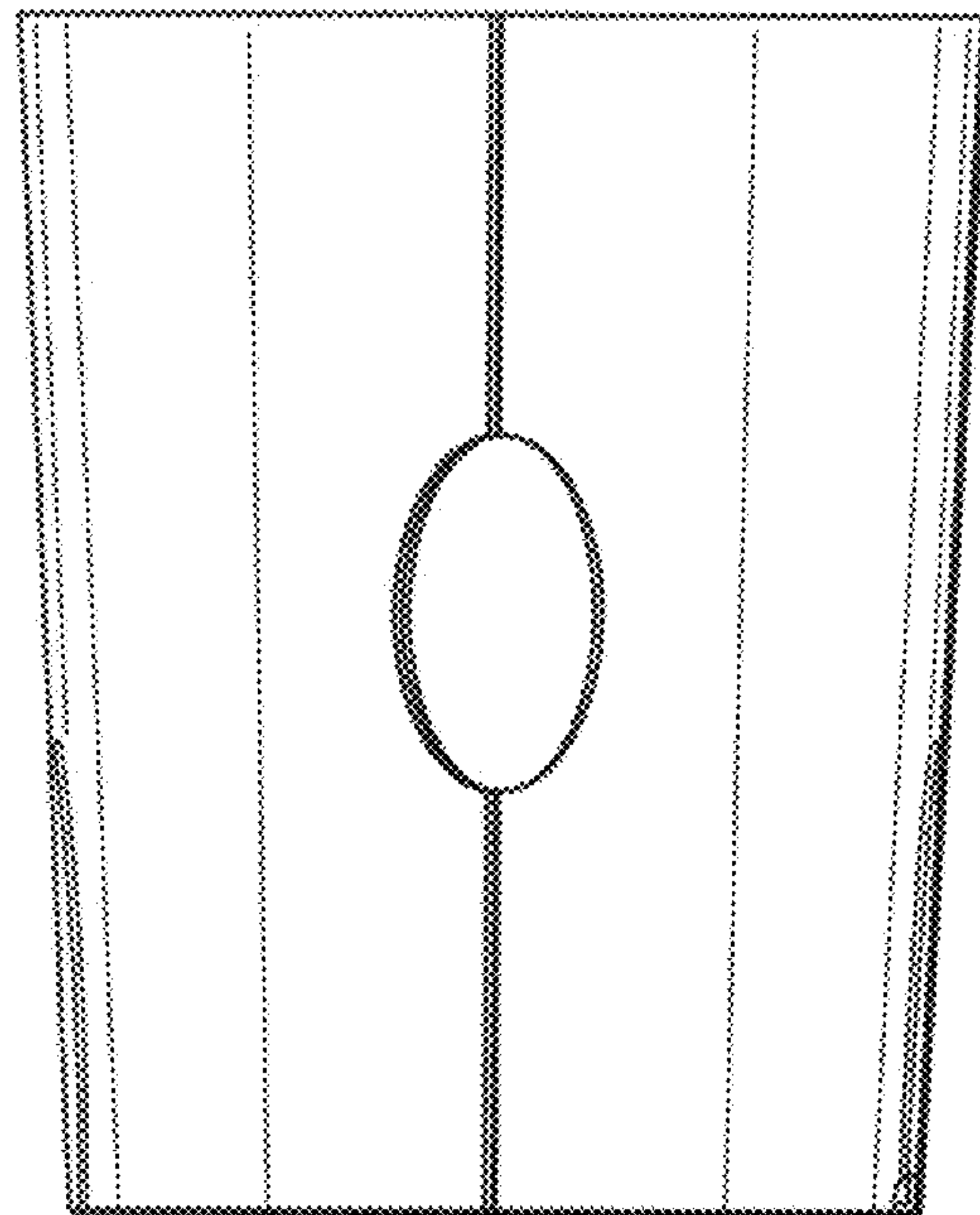


Fig. 15

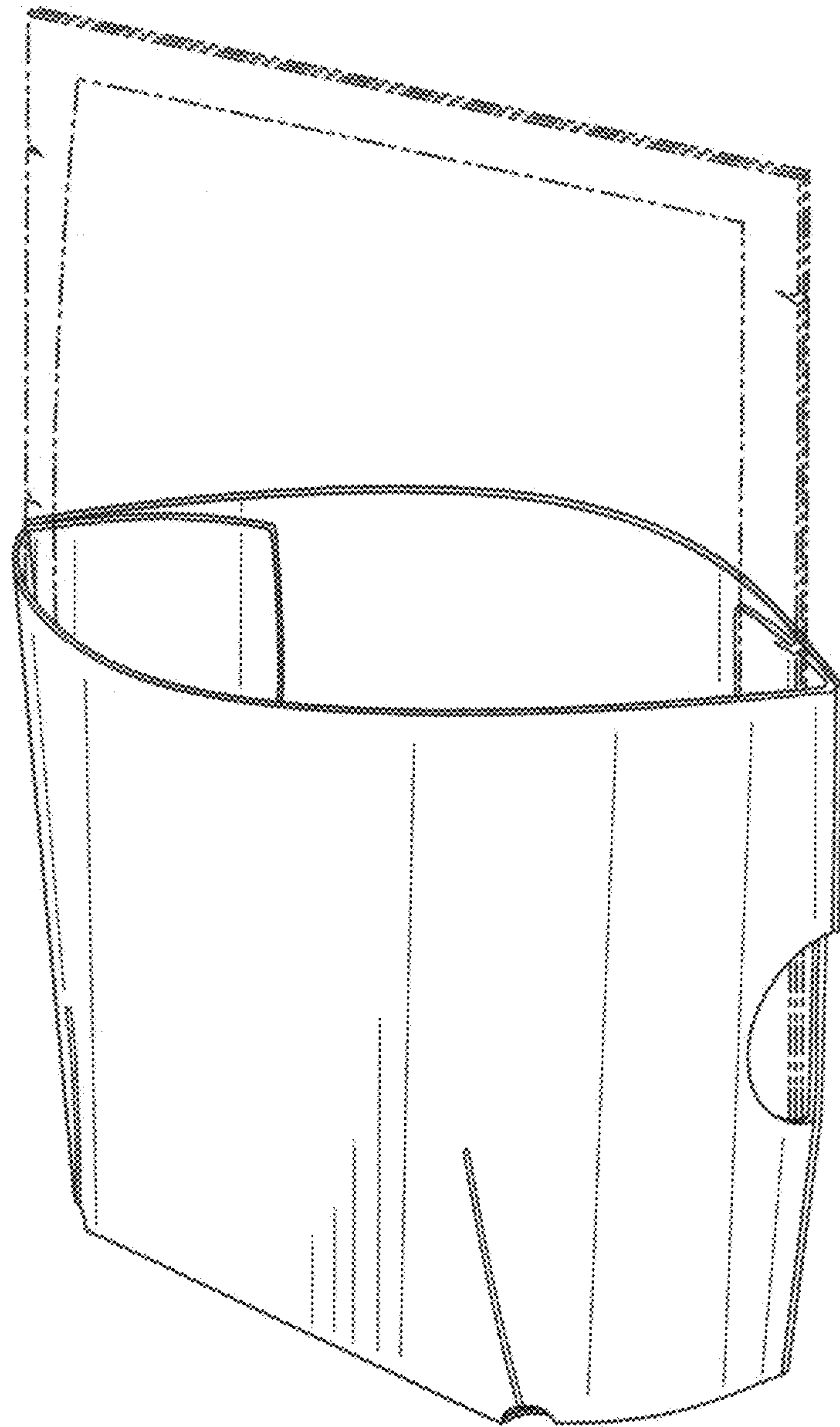
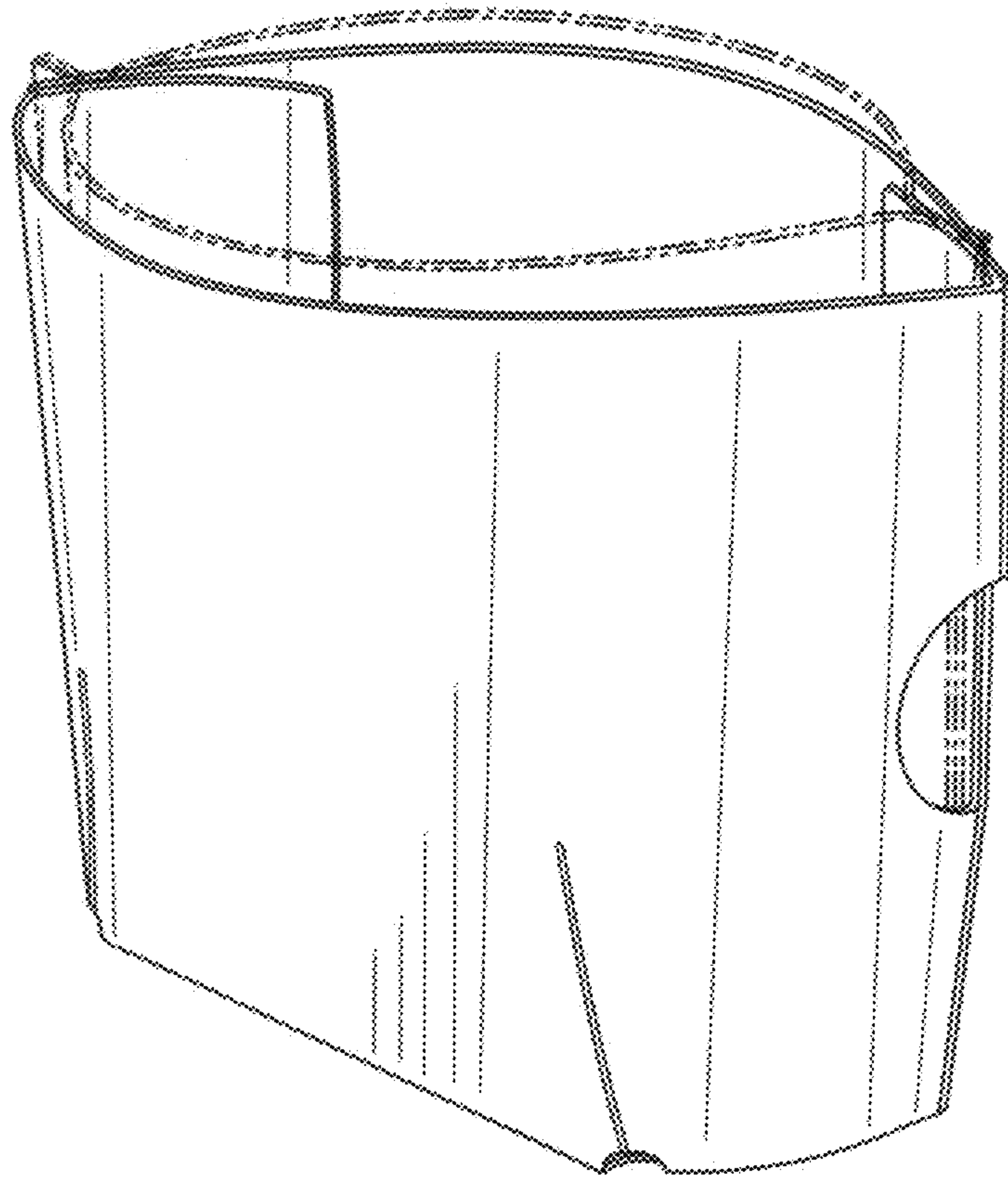


Fig. 16



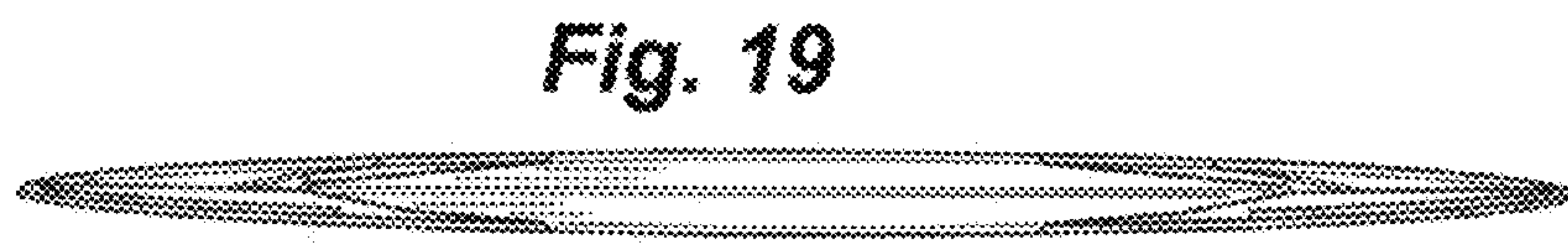
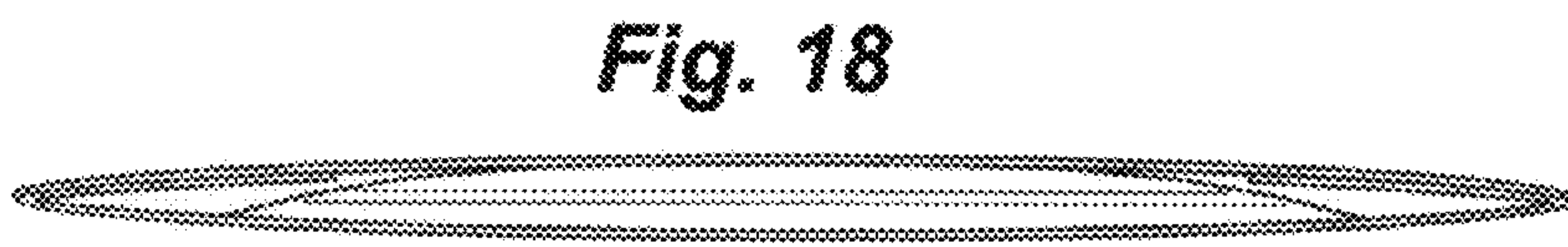
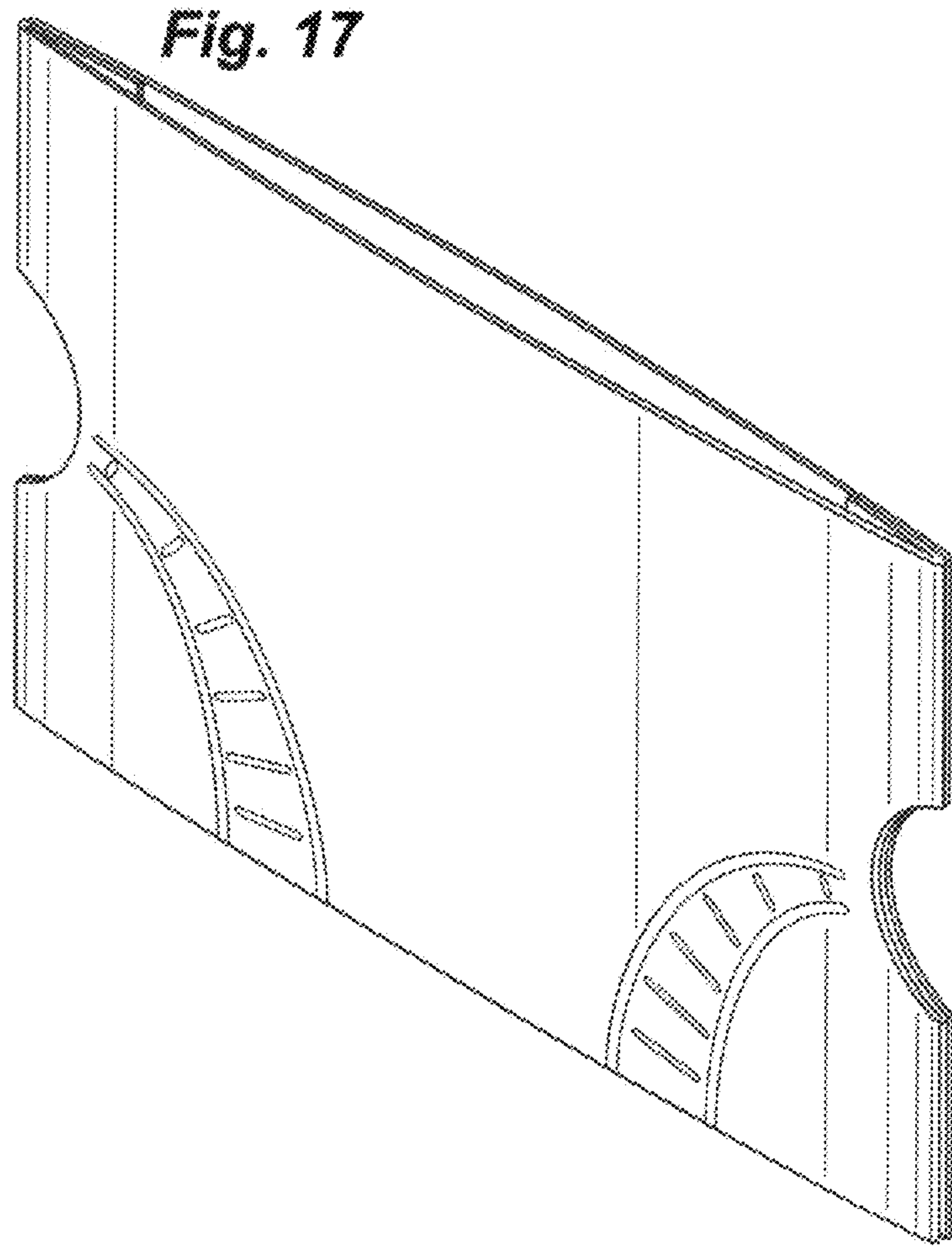


Fig. 20

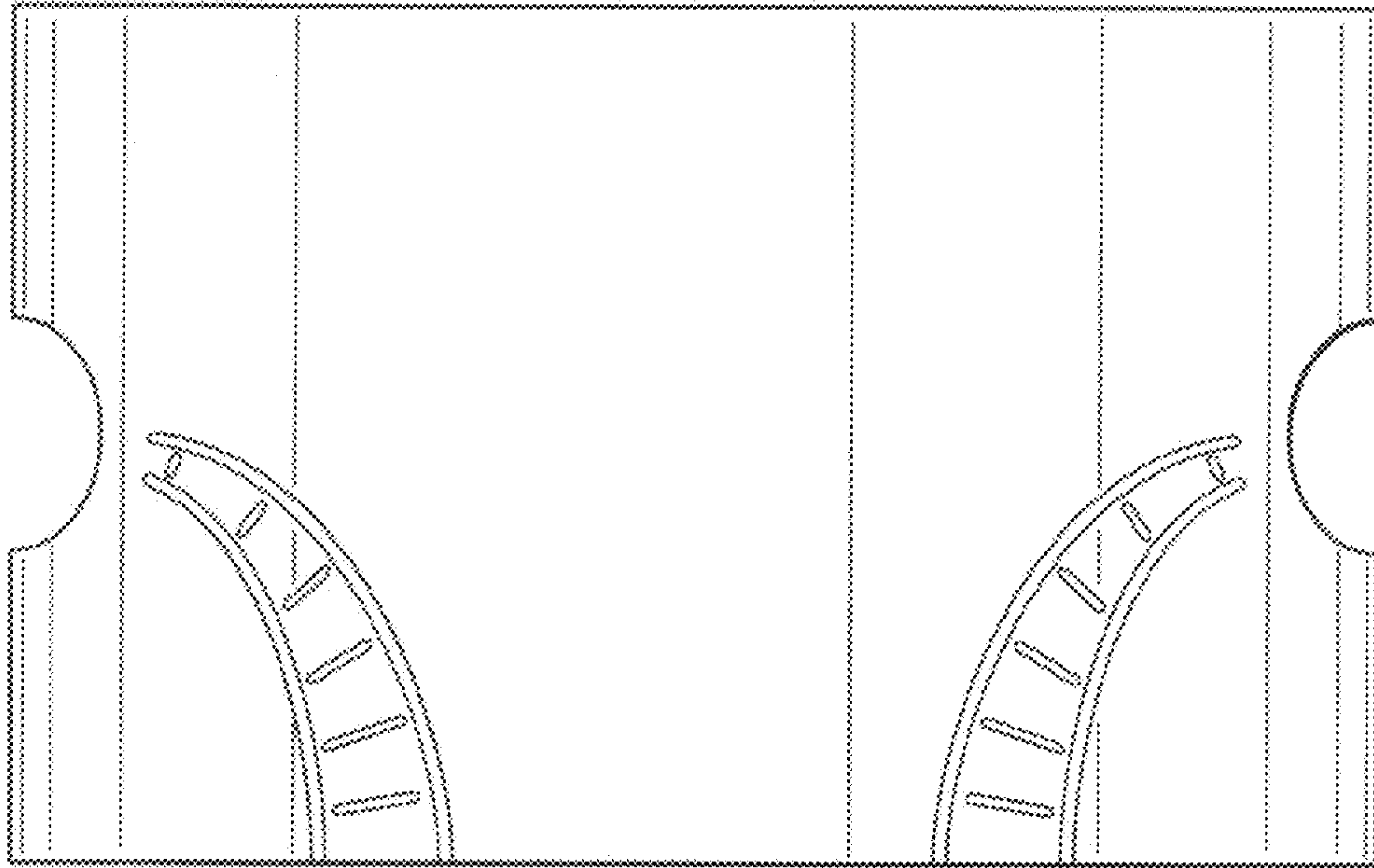


Fig. 21

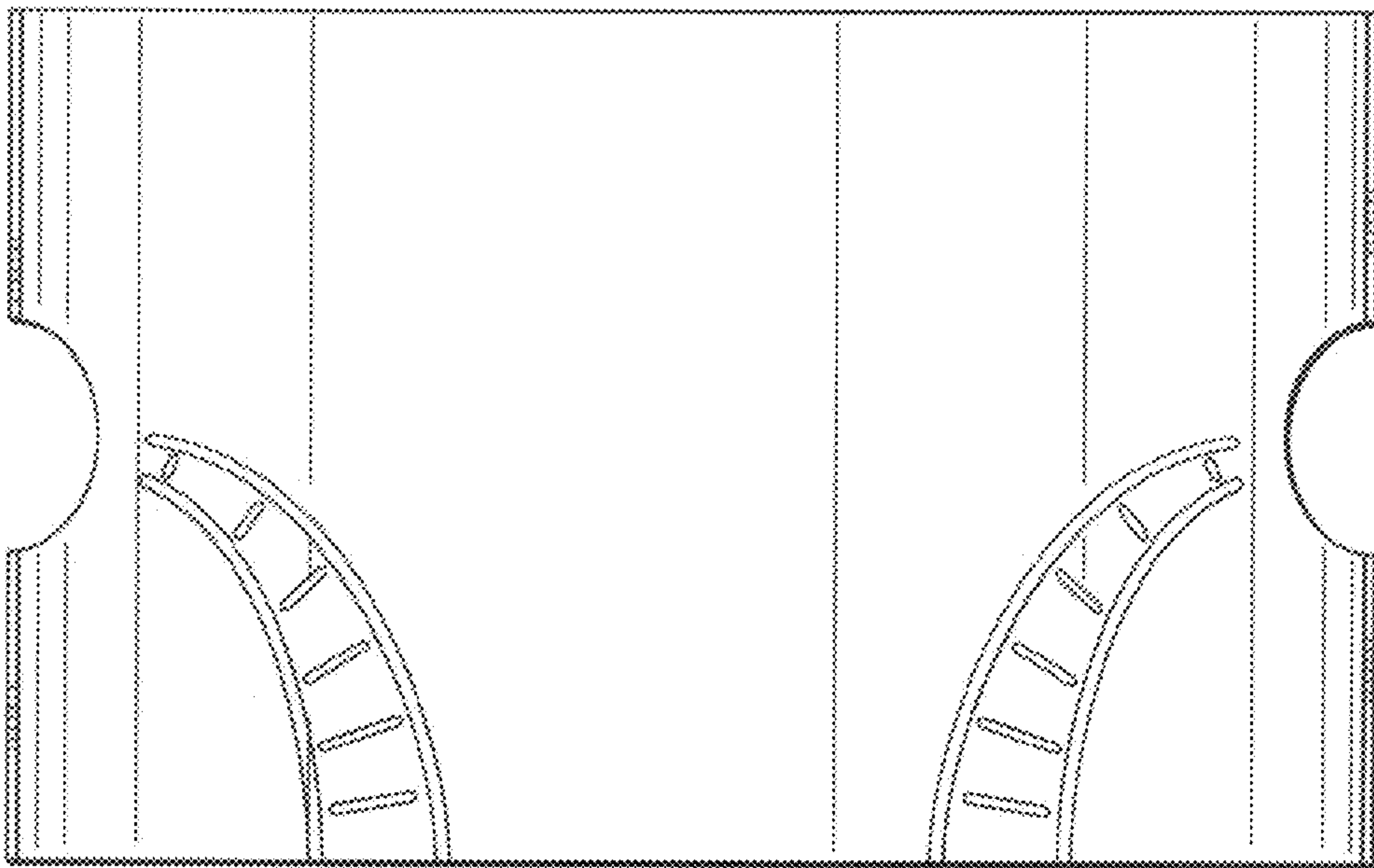


Fig. 22

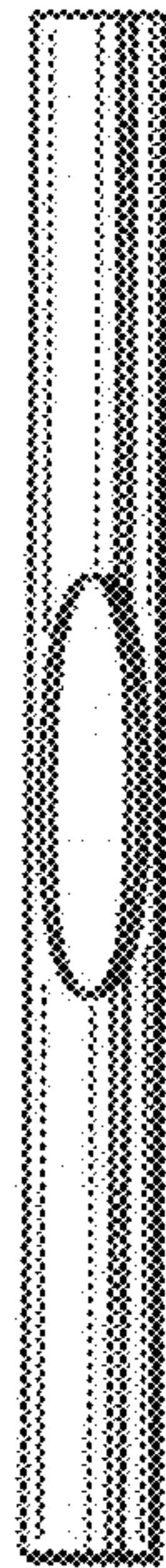


Fig. 23



Fig. 24

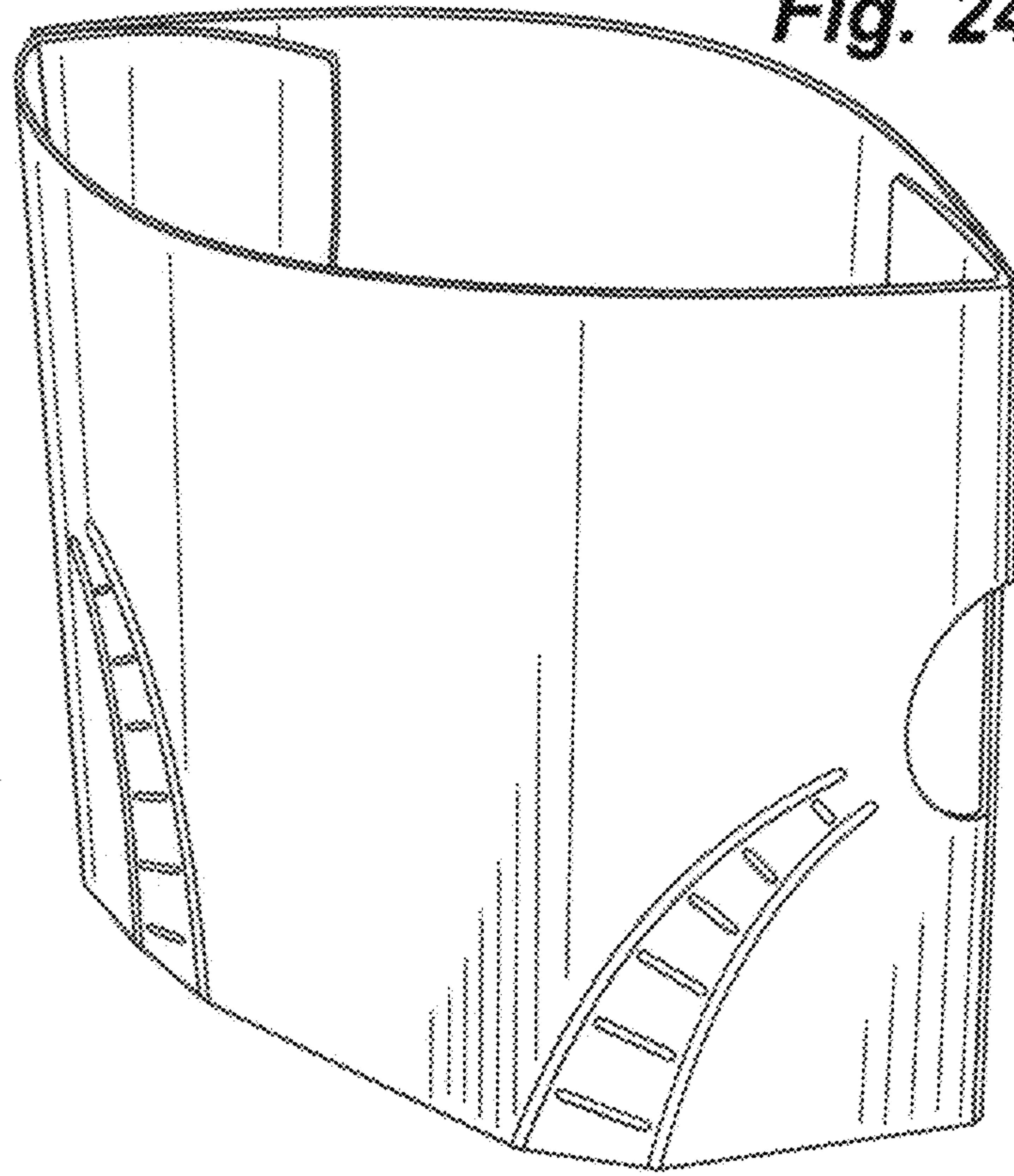


Fig. 25

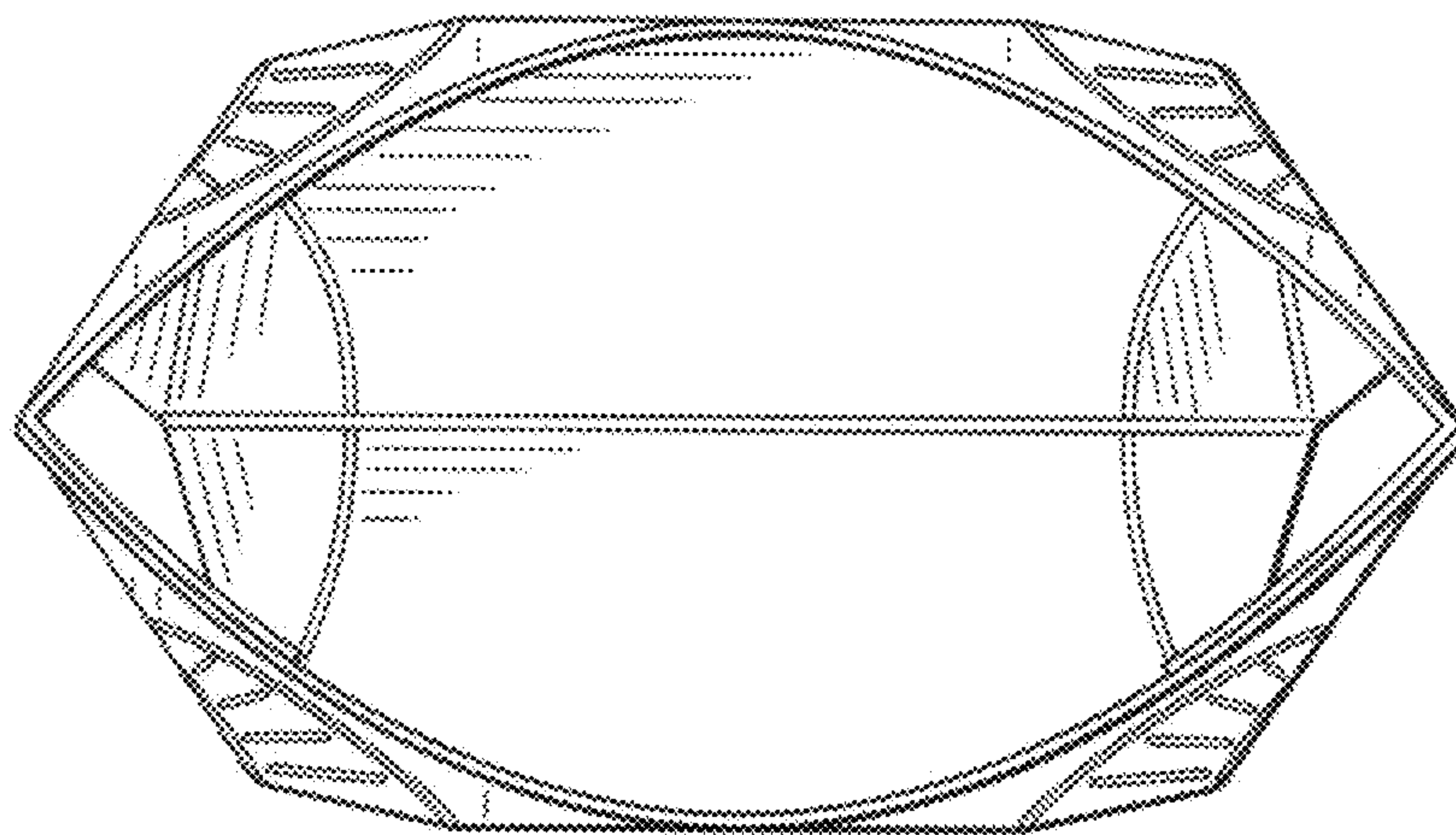


Fig. 26

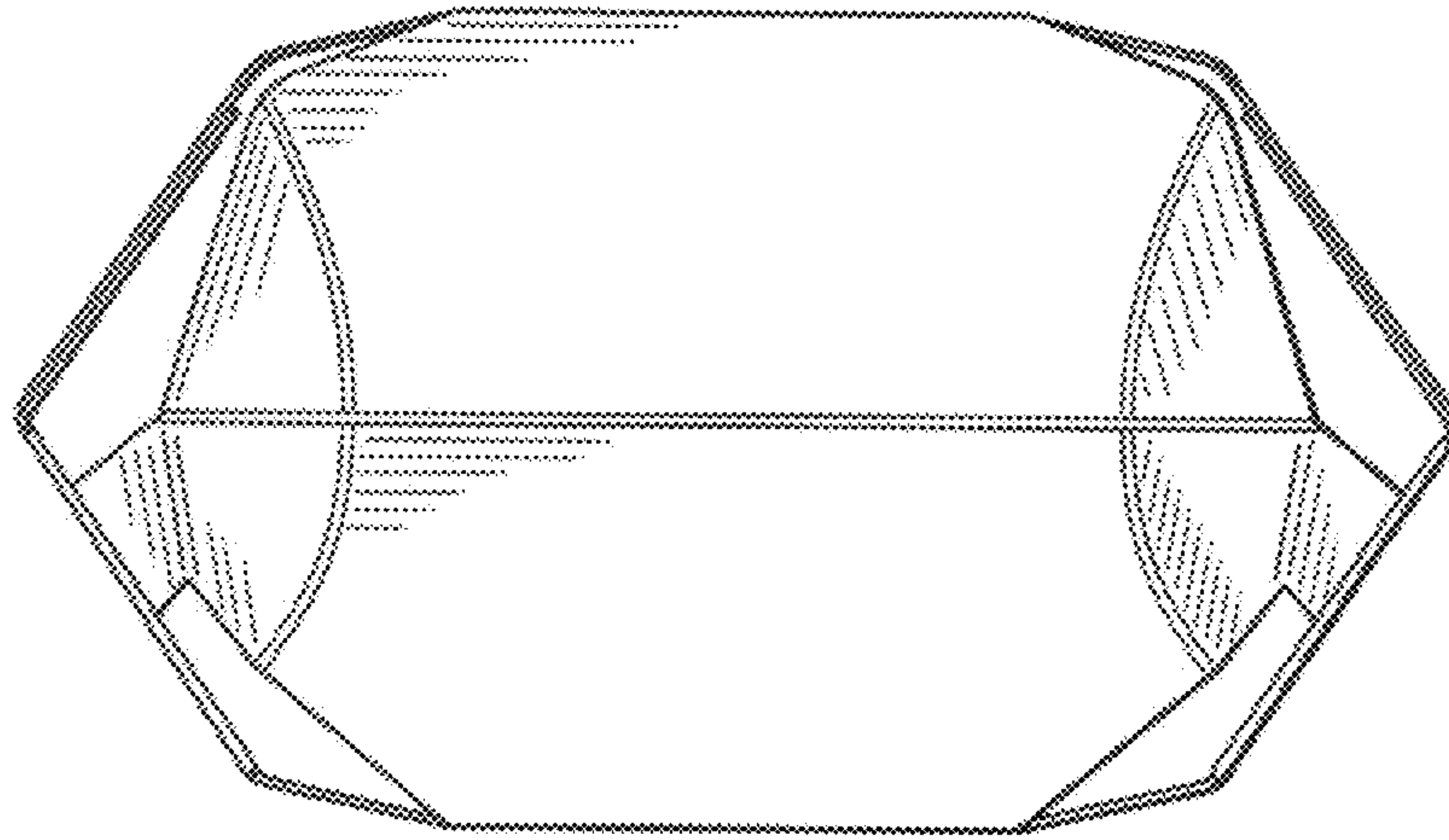


Fig. 27

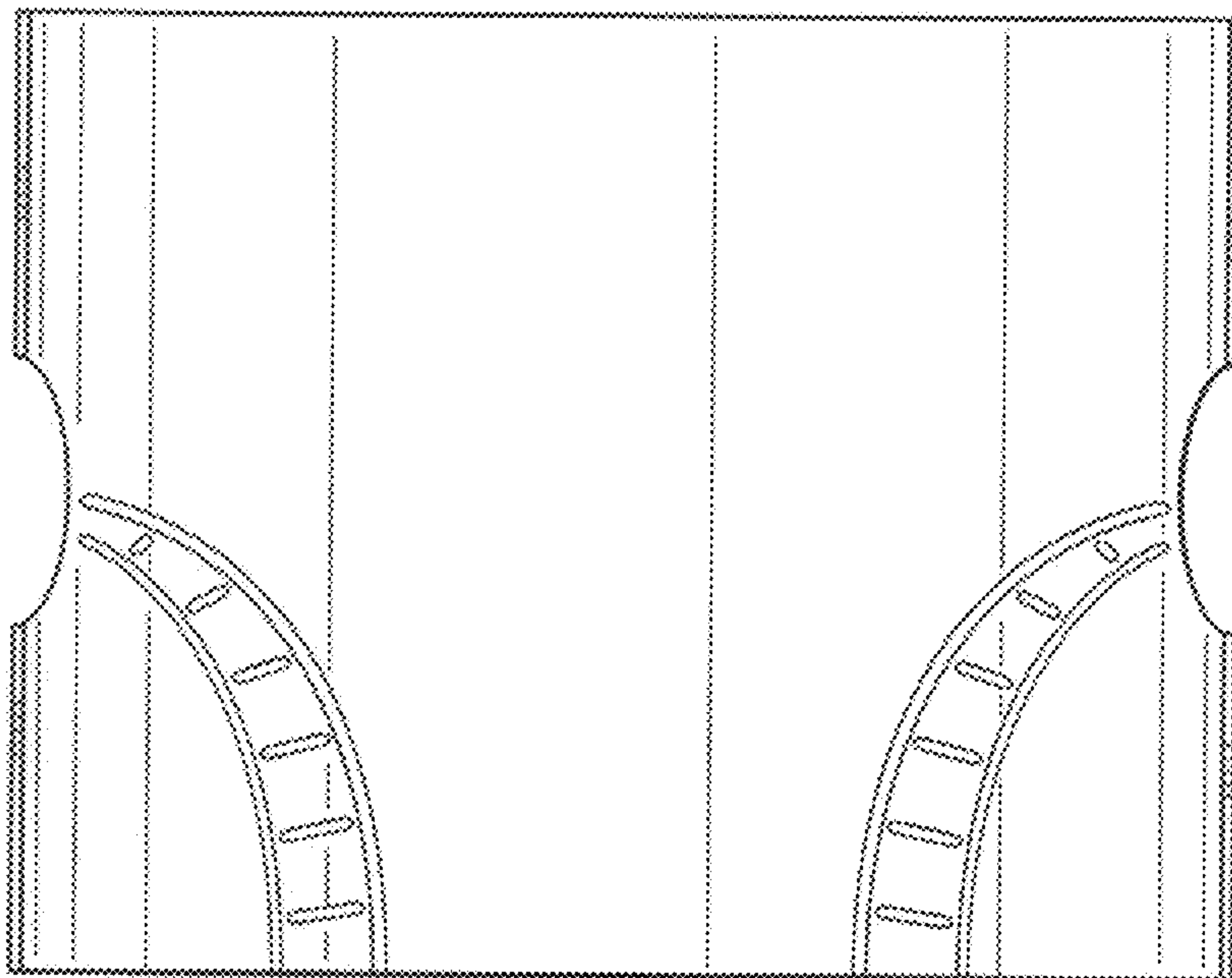


Fig. 28

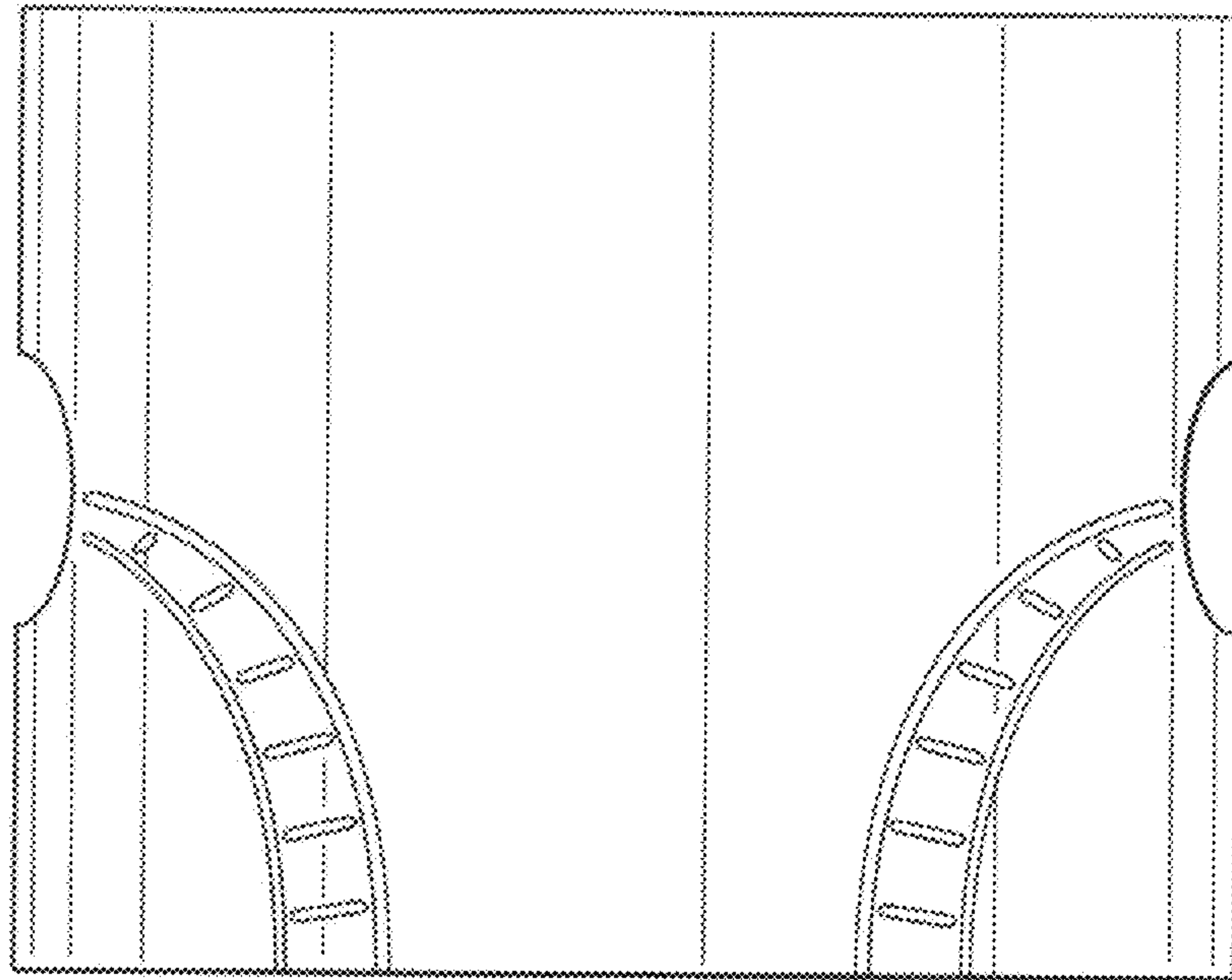


Fig. 29

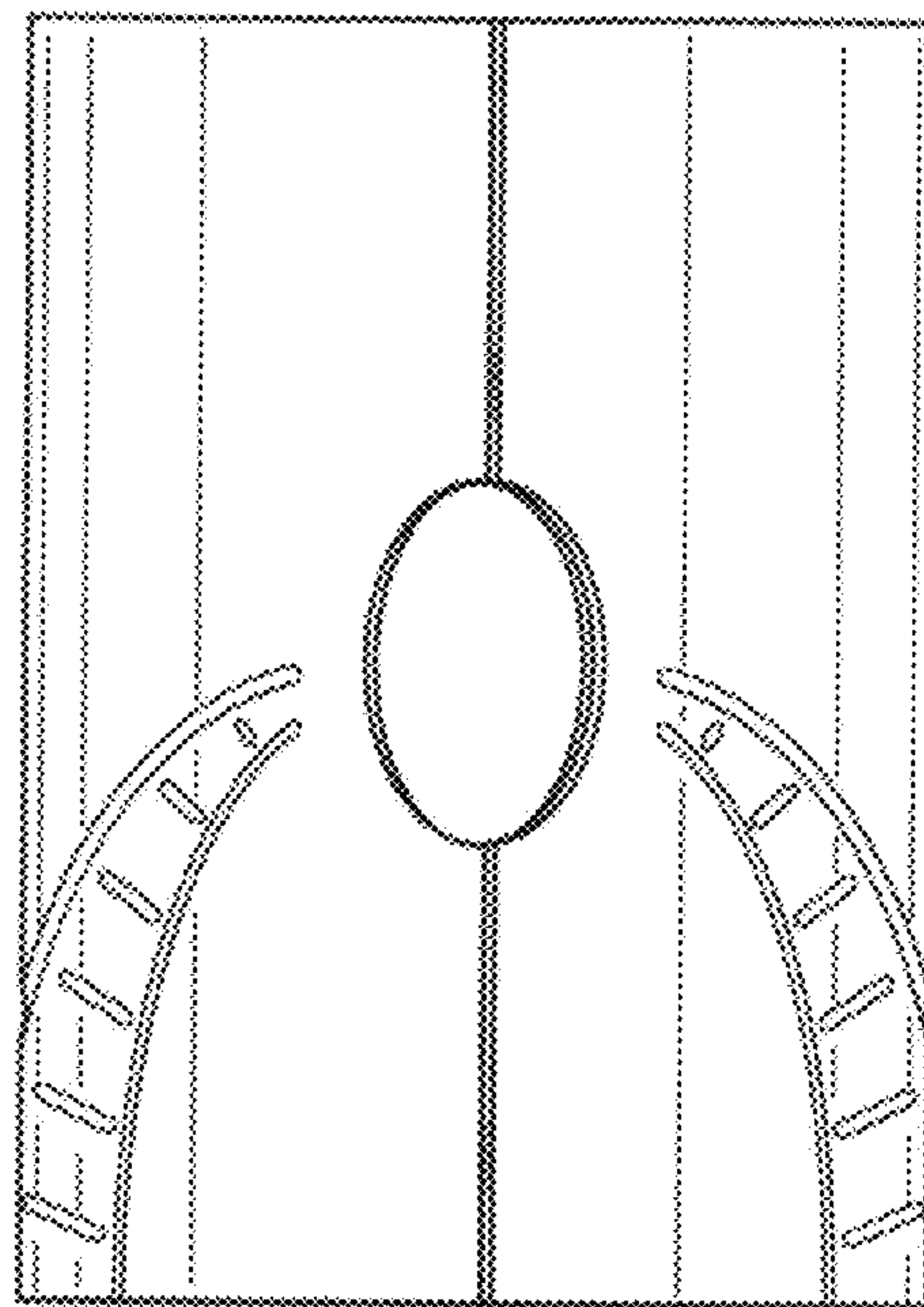


Fig. 30

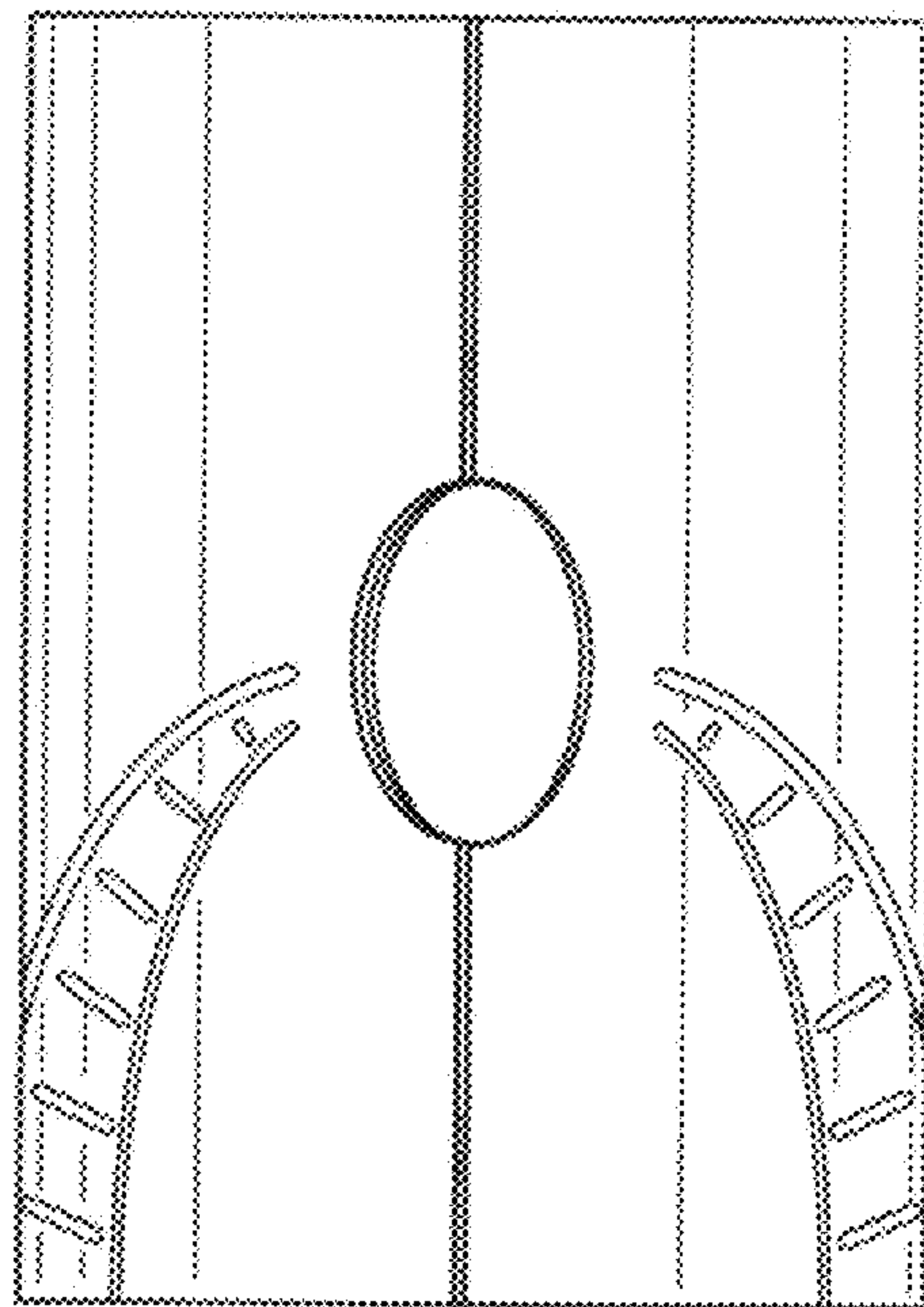


Fig. 31

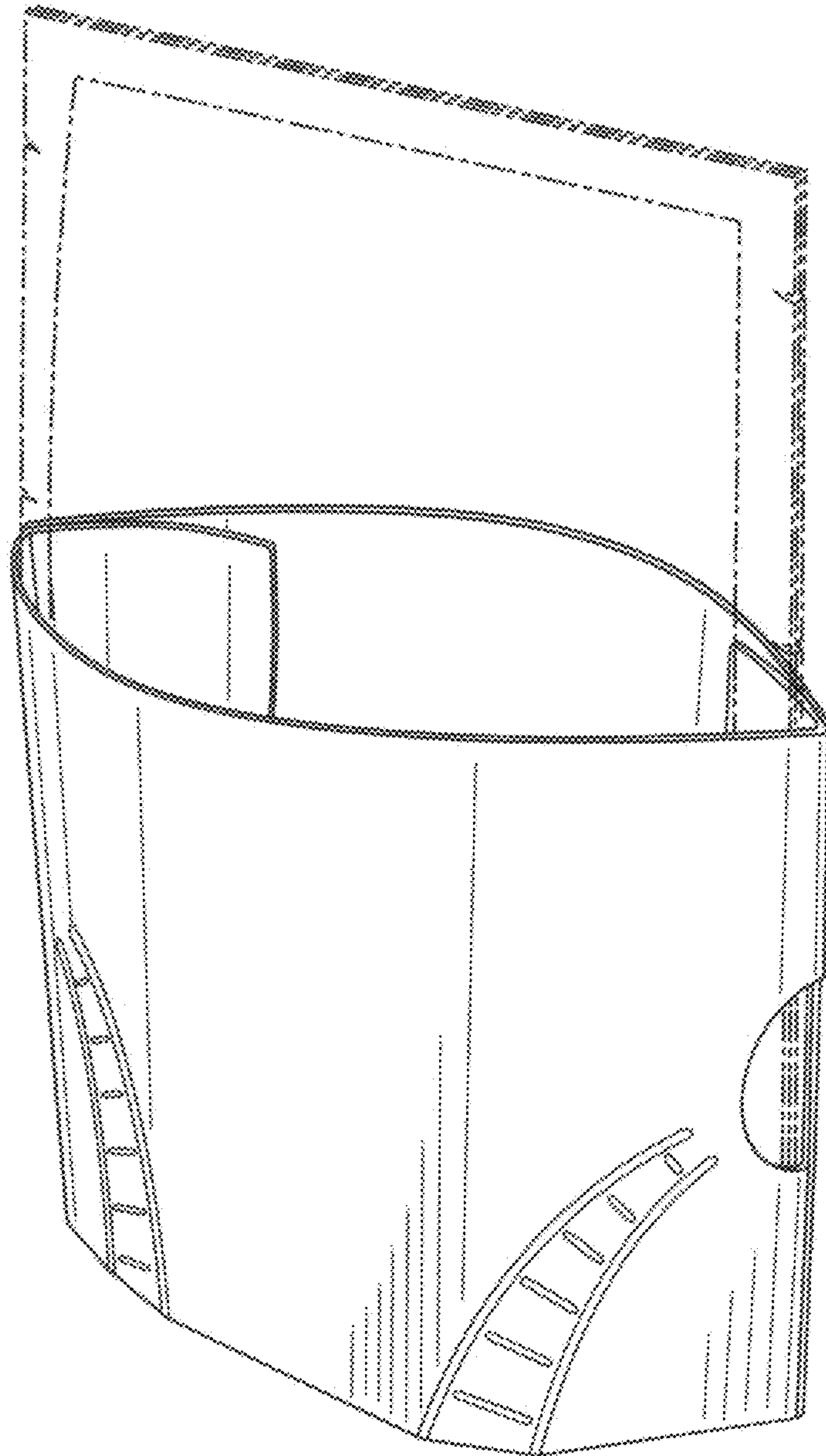


Fig. 32

