



US00D743808S

(12) **United States Design Patent**  
**Bertrand et al.**

(10) **Patent No.:** **US D743,808 S**

(45) **Date of Patent:** **\*\* \*Nov. 24, 2015**

- (54) **DRAWSTRING TRASH BAG**
- (75) Inventors: **Anthony H. Bertrand**, Mansfield, TX (US); **Paul A. Selle**, Appleton, WI (US)
- (73) Assignee: **Poly-America, L.P.**, Grand Prairie, TX (US)
- (\*) Notice: This patent is subject to a terminal disclaimer.
- (\*\*) Term: **14 Years**
- (21) Appl. No.: **29/383,138**
- (22) Filed: **Jan. 12, 2011**
- (51) **LOC (10) Cl.** ..... **09-05**
- (52) **U.S. Cl.**  
USPC ..... **D9/703**
- (58) **Field of Classification Search**  
USPC ..... D9/702-714, 720-722, 424, 430-433, D9/414, 418, 444; 229/87.01, 87.06, 229/87.08, 87.11; 222/92, 107, 215; 220/495.03, 495.01, 495.11, 287, 666; 383/26, 119, 127, 33, 71-75, 103, 43, 383/903, 105, 116, 203; 426/106; 428/35.2; 53/456, 459, 433-434, 133.4; 24/30.5 R, 30.5 P, 30.5 W, 582.12, 400; D11/215; 219/727, 730; 493/186-200  
CPC ..... B65D 85/505; B65D 85/52; B65D 77/06; B65D 1/32  
See application file for complete search history.

|           |      |         |                  |       |          |
|-----------|------|---------|------------------|-------|----------|
| 3,637,000 | A *  | 1/1972  | Walger et al.    | ..... | 383/61.3 |
| 3,738,567 | A *  | 6/1973  | Ruda             | ..... | 383/75   |
| 4,552,269 | A *  | 11/1985 | Chang            | ..... | 383/211  |
| D297,307  | S *  | 8/1988  | Garber           | ..... | D9/710   |
| 4,840,270 | A *  | 6/1989  | Caputo et al.    | ..... | 206/205  |
| 4,880,316 | A *  | 11/1989 | Belmont et al.   | ..... | 383/75   |
| 5,006,380 | A *  | 4/1991  | Fraser           | ..... | 428/35.2 |
| D347,994  | S *  | 6/1994  | Hammond          | ..... | D9/703   |
| D383,060  | S *  | 9/1997  | Pfuhl et al.     | ..... | D9/708   |
| D429,459  | S *  | 8/2000  | Berman           | ..... | D9/707   |
| D434,977  | S *  | 12/2000 | Young, III       | ..... | D9/706   |
| D499,637  | S *  | 12/2004 | Elze et al.      | ..... | D9/708   |
| D515,497  | S *  | 2/2006  | Watson           | ..... | D12/416  |
| D555,009  | S *  | 11/2007 | Lin              | ..... | D9/707   |
| 7,364,362 | B2 * | 4/2008  | Schneider et al. | ..... | 383/61.2 |
| 7,758,243 | B2 * | 7/2010  | Bonke            | ..... | 383/75   |
| 7,914,207 | B1 * | 3/2011  | Beam             | ..... | 383/11   |
| 7,946,765 | B2 * | 5/2011  | Melvan et al.    | ..... | 383/43   |
| 8,118,489 | B2 * | 2/2012  | Waldron et al.   | ..... | 383/75   |
| 8,523,439 | B2 * | 9/2013  | Ross             | ..... | 383/75   |
| 8,657,495 | B2 * | 2/2014  | Maxwell et al.   | ..... | 383/75   |

\* cited by examiner

*Primary Examiner* — Karen E Kearney

*Assistant Examiner* — Abraham Bahta

(74) *Attorney, Agent, or Firm* — Brandon J. Lee; Daniel J. Layden

(57) **CLAIM**

The ornamental design for a drawstring trash bag, as shown and described.

**DESCRIPTION**

FIG. 1 is a front elevation view of the drawstring trash bag showing our new design, the back view being identical; and, FIG. 2 is an enlarged view of the oval shape taken from FIG. 1, shown separately for ease of illustration.

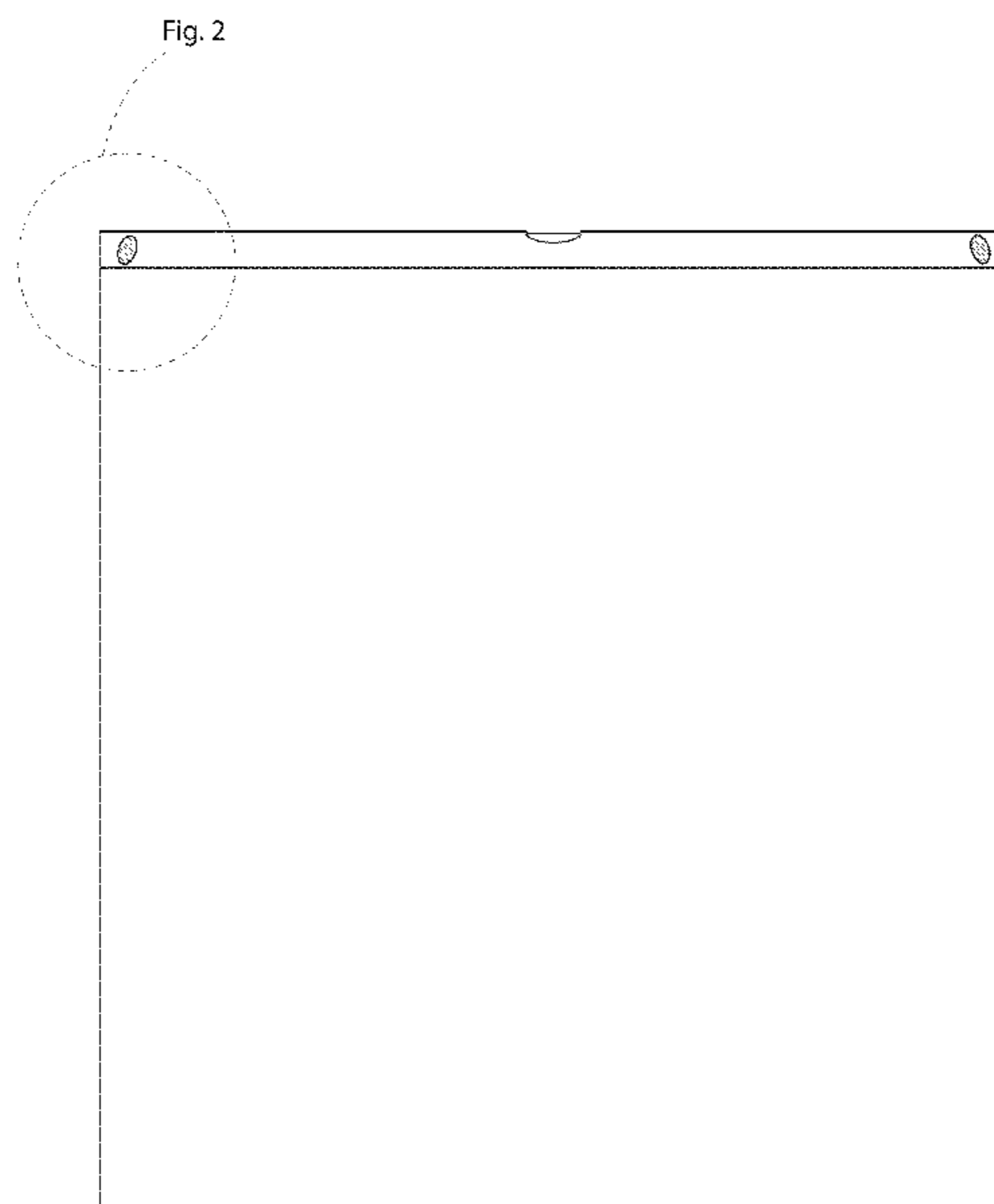
The broken lines showing the bottom portion of the bag are for the purposes of illustrating portions of the “article” and form no part of the claimed design.

**1 Claim, 2 Drawing Sheets**

(56) **References Cited**

U.S. PATENT DOCUMENTS

|           |     |        |            |       |         |
|-----------|-----|--------|------------|-------|---------|
| 2,080,402 | A * | 5/1937 | Herman     | ..... | 206/260 |
| 2,465,646 | A * | 3/1949 | Greenslade | ..... | 383/95  |
| 3,506,048 | A * | 4/1970 | Jortikka   | ..... | 383/6   |



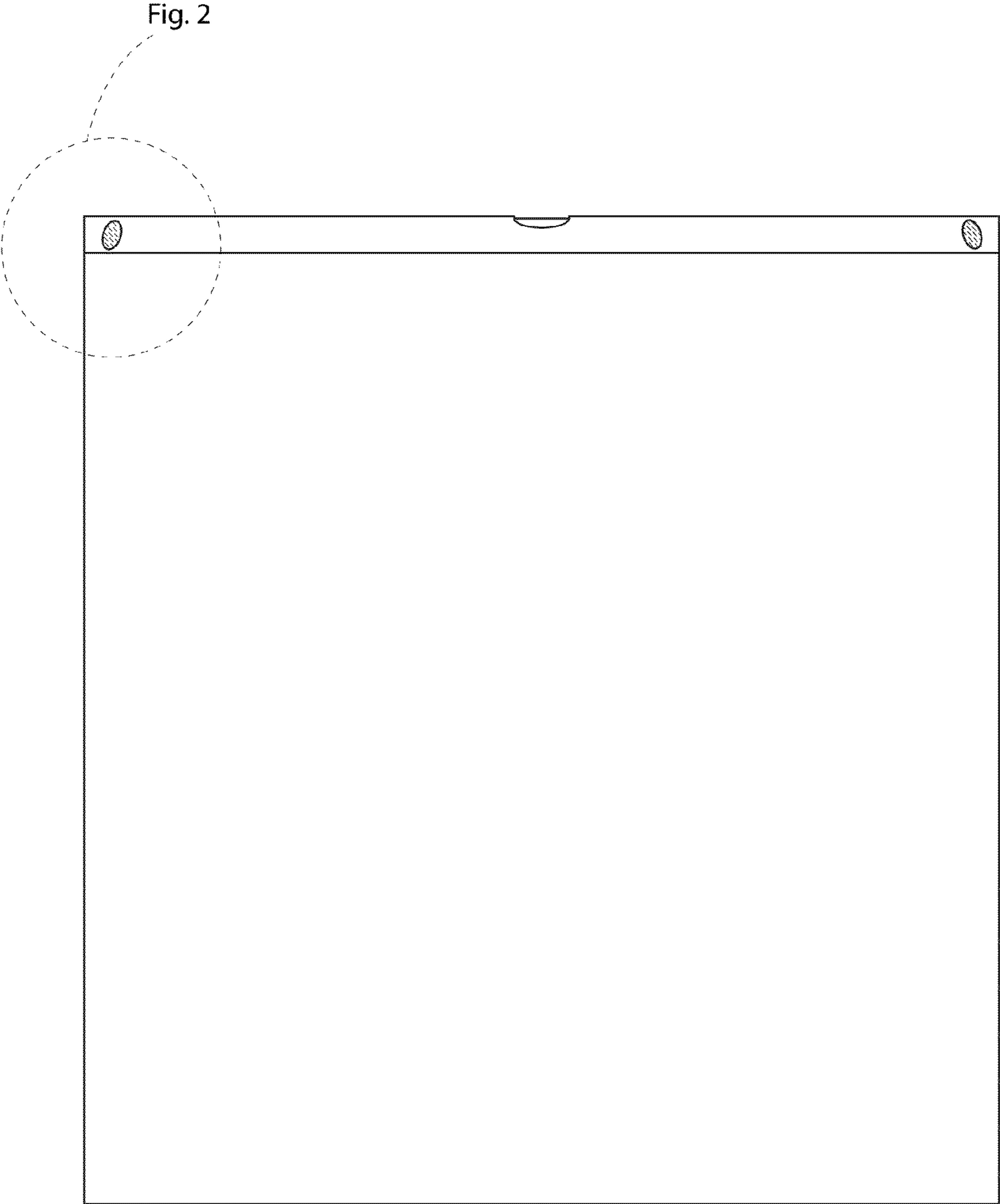


Fig. 1

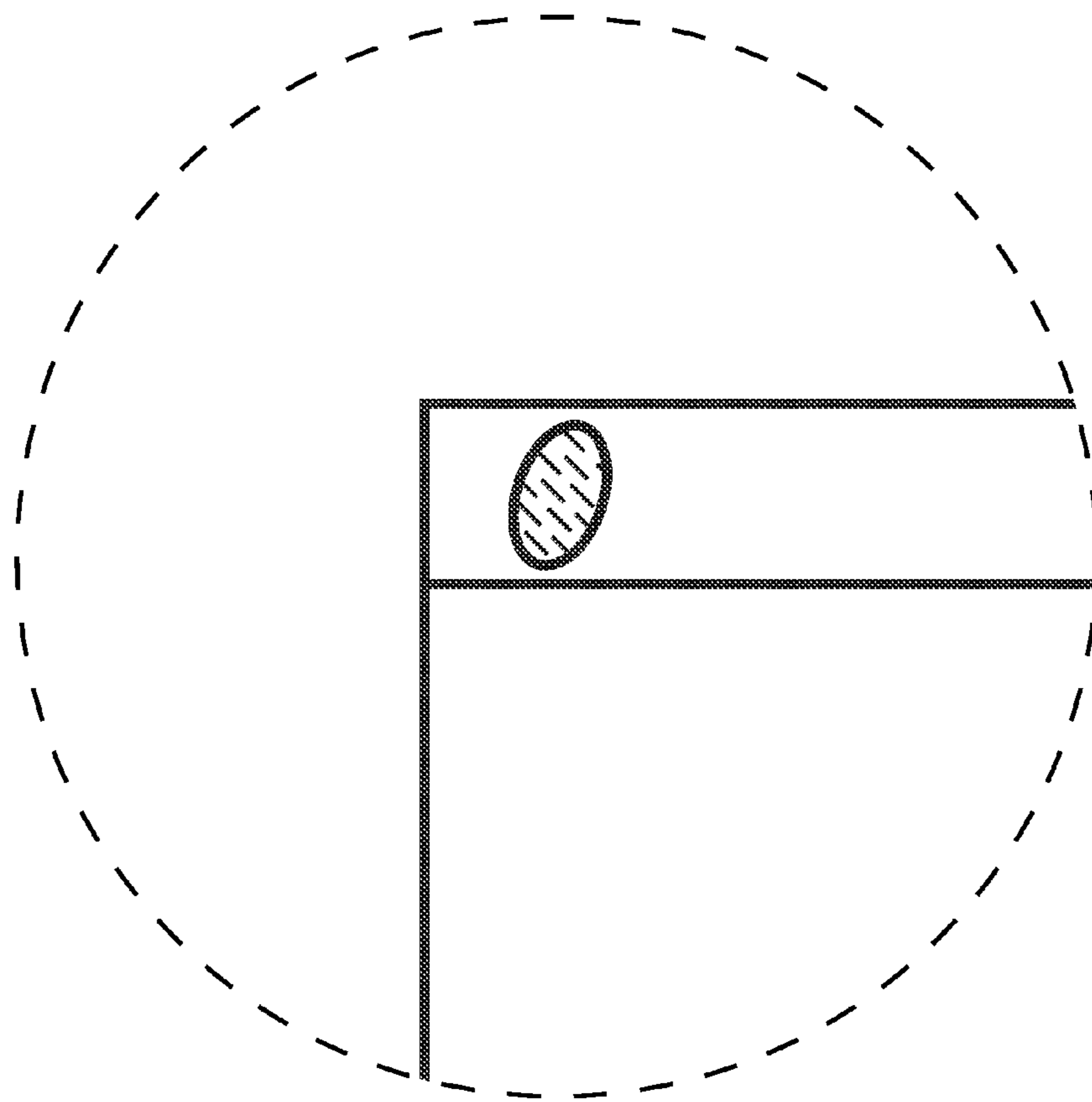


Fig. 2