



US00D743801S

(12) **United States Design Patent**  
**Halloran et al.**

(10) **Patent No.:** **US D743,801 S**

(45) **Date of Patent:** **\*\* Nov. 24, 2015**

(54) **BOTTLE**

(71) Applicant: **Bay Valley Foods LLC**, Oak Brook, IL (US)

(72) Inventors: **John Halloran**, Chicago, IL (US); **Rhett Flanders**, Erie, PA (US); **Mark Beskid**, Erie, PA (US); **Eric Esterline**, North East, PA (US); **Jeff Baumgarten**, Naperville, IL (US); **Randy Whisler**, North East, PA (US); **Michelle Joller**, Cranberry Township, PA (US); **Edwin Li**, Markham (CA); **Rafal Juszczak**, Woodbridge (CA); **William J. Peek**, Lawrenceville, GA (US); **Ryan Healy**, Chicago, IL (US)

(73) Assignee: **Bay Valley Foods LLC**, Oak Brook, IL (US)

(\*\*) Term: **14 Years**

(21) Appl. No.: **29/448,172**

(22) Filed: **Mar. 11, 2013**

(51) **LOC (10) Cl.** ..... **09-01**

(52) **U.S. Cl.**

USPC ..... **D9/542**; D9/563

(58) **Field of Classification Search**

USPC ..... D9/516, 530, 541–543, 549–550, 552, D9/556, 558, 563, 565, 569, 571, 574, 715, D9/719

CPC ..... B65D 1/00; B65D 1/02; B65D 1/0223; B65D 23/00; B65D 81/00; B65D 2501/00; B65D 2501/009; B65D 2501/0081

See application file for complete search history.

(56) **References Cited**

**U.S. PATENT DOCUMENTS**

D234,911 S \* 4/1975 Stevens, Jr. .... D9/529  
D262,356 S 12/1981 Kretz

D262,778 S \* 1/1982 Britt et al. .... D9/542  
D308,483 S 6/1990 Weckman  
D310,964 S 10/1990 Weckman  
D352,461 S 11/1994 Flanagan et al.  
D365,752 S 1/1996 Flanagan-Boos et al.  
D369,979 S 5/1996 Krampe et al.  
D375,900 S 11/1996 DeVore  
D384,890 S 10/1997 Goldman

(Continued)

**FOREIGN PATENT DOCUMENTS**

CA 89905 7/2000  
CA 90392 9/2000

(Continued)

**OTHER PUBLICATIONS**

U.S. Appl. No. 29/447,897, filed Mar. 7, 2013, Beauchamp et al.

(Continued)

*Primary Examiner* — Dana L Meyrow

(74) *Attorney, Agent, or Firm* — Foley & Lardner LLP

(57) **CLAIM**

We claim the ornamental design for a bottle, as shown and described.

**DESCRIPTION**

FIG. 1 is a perspective view of a bottle showing our new design;

FIG. 2 is a front view thereof;

FIG. 3 is a back view thereof;

FIG. 4 is a left side view thereof;

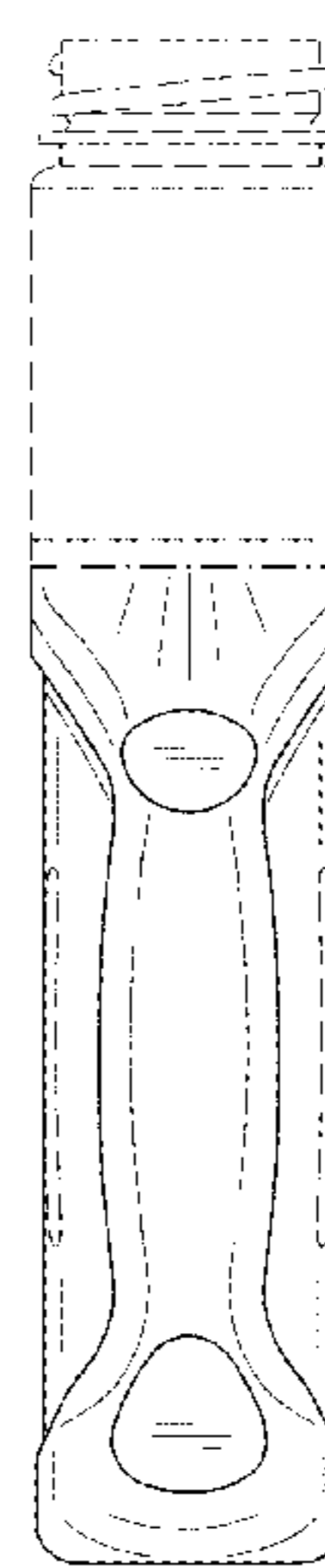
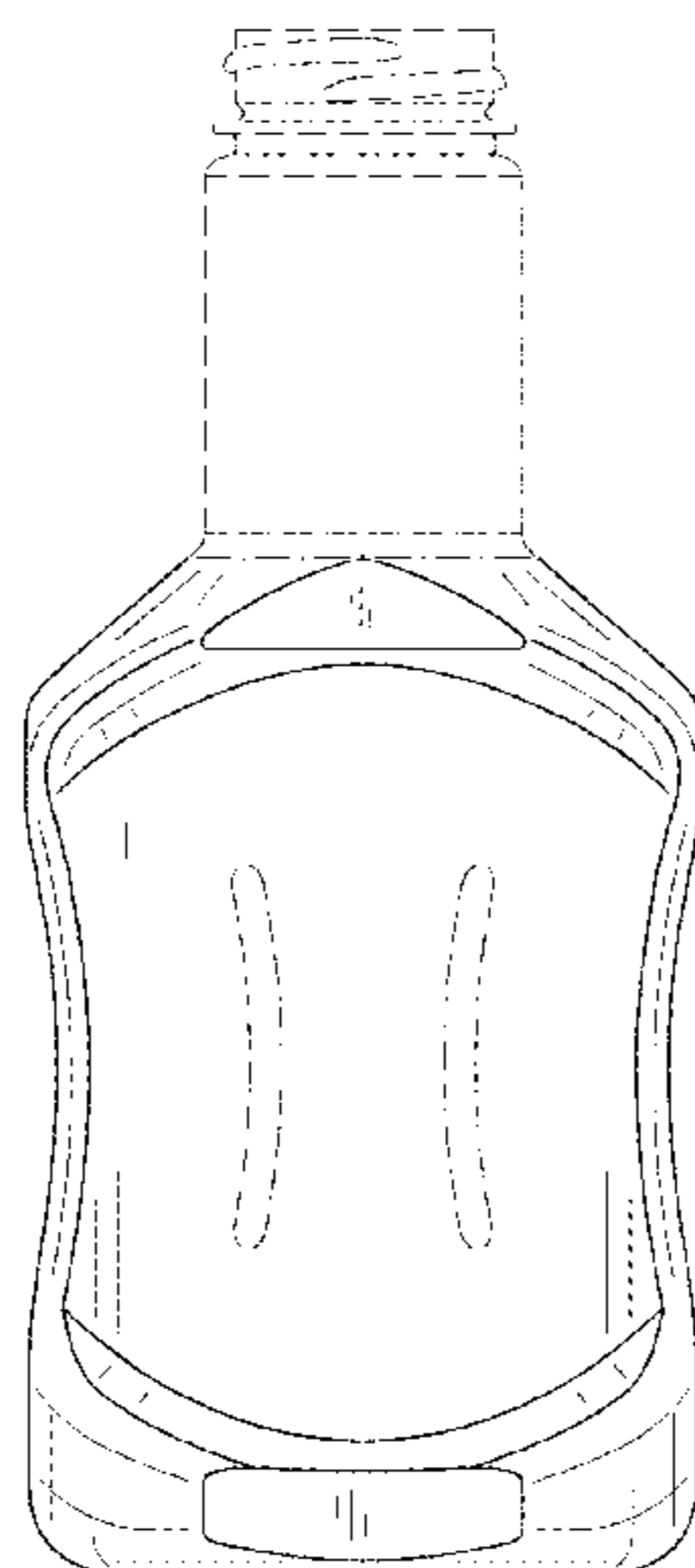
FIG. 5 is right side view thereof

FIG. 6 is a top view thereof; and,

FIG. 7 is a bottom view thereof.

The evenly-dashed broken lines in the drawings illustrate the portions of the design that form no part of the claim. The dot-dash broken lines in the drawings define the bounds of the claim and form no part thereof.

**1 Claim, 5 Drawing Sheets**



(56)

References Cited

FOREIGN PATENT DOCUMENTS

U.S. PATENT DOCUMENTS

D405,000 S 2/1999 Mikol et al.  
 D416,791 S 11/1999 Albrecht et al.  
 D419,061 S \* 1/2000 Croft et al. .... D9/542  
 D427,914 S \* 7/2000 Croft et al. .... D9/542  
 D428,342 S 7/2000 Stoller  
 D446,127 S 8/2001 Adee et al.  
 D446,128 S 8/2001 Adee et al.  
 D446,730 S 8/2001 Adee et al.  
 D450,596 S 11/2001 Adee et al.  
 D452,159 S 12/2001 Belser et al.  
 6,637,613 B2 \* 10/2003 Shimada et al. .... 215/382  
 D484,808 S 1/2004 Thierjung et al.  
 D495,609 S 9/2004 Wurster  
 D503,627 S 4/2005 Johnston et al.  
 D526,569 S 8/2006 Wurster et al.  
 D529,814 S 10/2006 Winkler et al.  
 D536,619 S \* 2/2007 Heisner .... D9/541  
 D545,195 S \* 6/2007 Costello et al. .... D9/516  
 D545,196 S \* 6/2007 Costello et al. .... D9/516  
 D546,189 S 7/2007 Costello et al.  
 D555,500 S 11/2007 Johnston et al.  
 7,296,702 B2 \* 11/2007 Tanaka et al. .... 215/383  
 D556,578 S \* 12/2007 Costello et al. .... D9/516  
 D568,164 S 5/2008 Dodge et al.  
 D569,733 S 5/2008 Dodge et al.  
 D584,634 S 1/2009 Perez et al.  
 D584,635 S 1/2009 Montgomery  
 D585,746 S 2/2009 Dodge et al.  
 D585,747 S 2/2009 Dodge et al.  
 D585,755 S 2/2009 Dodge et al.  
 D598,292 S \* 8/2009 Rivard et al. .... D9/543  
 D611,347 S 3/2010 Dodge et al.  
 D611,820 S 3/2010 Dodge et al.  
 D616,756 S \* 6/2010 Schlies et al. .... D9/542  
 D622,146 S 8/2010 Wheaton et al.  
 D626,002 S 10/2010 Charyszyn et al.  
 D642,066 S 7/2011 Kuzma et al.  
 D645,356 S 9/2011 Wheaton et al.  
 D649,060 S 11/2011 Wheaton et al.  
 D653,116 S \* 1/2012 McMahon et al. .... D9/542  
 D653,555 S 2/2012 Kelly et al.  
 D653,955 S \* 2/2012 Labadie et al. .... D9/542  
 D659,544 S \* 5/2012 Labadie et al. .... D9/542  
 D670,172 S \* 11/2012 Bruscha et al. .... D9/542  
 D690,601 S \* 10/2013 Bryant et al. .... D9/542  
 D690,602 S \* 10/2013 Bryant et al. .... D9/542  
 D697,415 S \* 1/2014 Bryant et al. .... D9/542  
 RE45,022 E \* 7/2014 Graham et al. .... D9/540

CA 91814 3/2001  
 CA 91815 3/2001  
 CA 91816 3/2001  
 CA 92931 7/2001  
 CA 113115 3/2007  
 CA 116375 7/2007  
 CA 2 592 751 12/2007  
 CA 117863 1/2008  
 CA 115690 4/2008  
 CA 121716 5/2008  
 CA 126077 12/2008  
 CA 127625 7/2009  
 CA 132762 6/2010  
 CA 132031 11/2010  
 CA 132032 11/2010  
 CA 135004 11/2010  
 CA 137855 6/2011  
 CA 139410 9/2011  
 CA 139408 10/2011  
 MX 16570 7/2004  
 MX 23562 9/2007  
 MX 23988 10/2007  
 MX 24084 10/2007  
 MX 31005 5/2010  
 MX 31144 6/2010  
 MX 31497 7/2010  
 MX 32185 11/2010  
 MX 34344 B 9/2011  
 MX 35979 3/2012

OTHER PUBLICATIONS

Picture of Hidden Valley the Original Ranch Light Salad Dressing Bottle, [https://graphics.SamsClub.com/images/products/0007110000607\\_L4.jpg](https://graphics.SamsClub.com/images/products/0007110000607_L4.jpg), Aug. 4, 2009.  
 Photograph of Kraft Ranch Dressing and Dip Bottles taken at Foley & Lardner LLP prior to Sep. 30, 2010.  
 Photograph of Hidden Valley Ranch Old-Fashioned Buttermilk Dressing Bottle taken at Foley & Lardner LLP prior to Sep. 30, 2010.  
 Photograph of Kraft Creamy French Dressing Bottle taken at Foley & Lardner LLP prior to Sep. 30, 2010.  
 "Introducing Amcor's Curvaceously New Lightweight," advertisement regarding new 16oz Dressing PET Bottle, Amcor, Apr. 2, 2010.  
 Photograph of Kraft Creamy Poppyseed Dressing Bottle taken at Foley & Lardner LLP prior to Sep. 30, 2010.

\* cited by examiner

FIG. 1

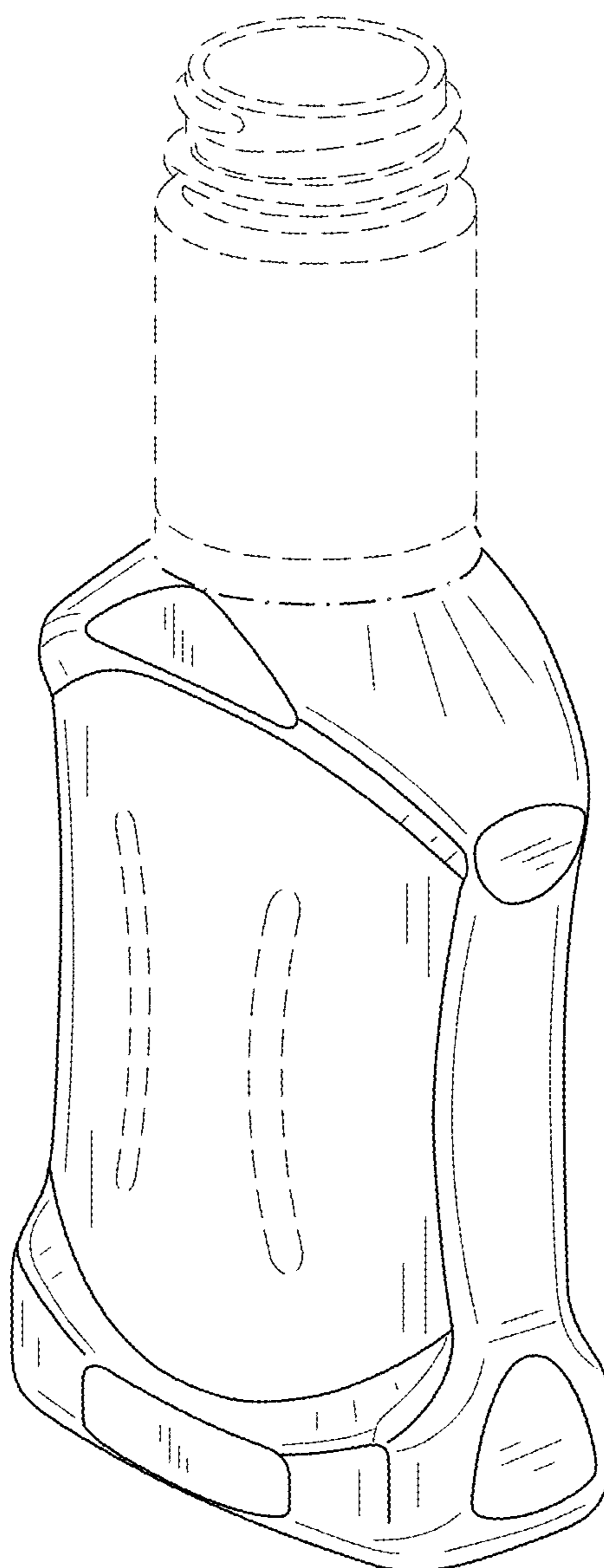


FIG. 2

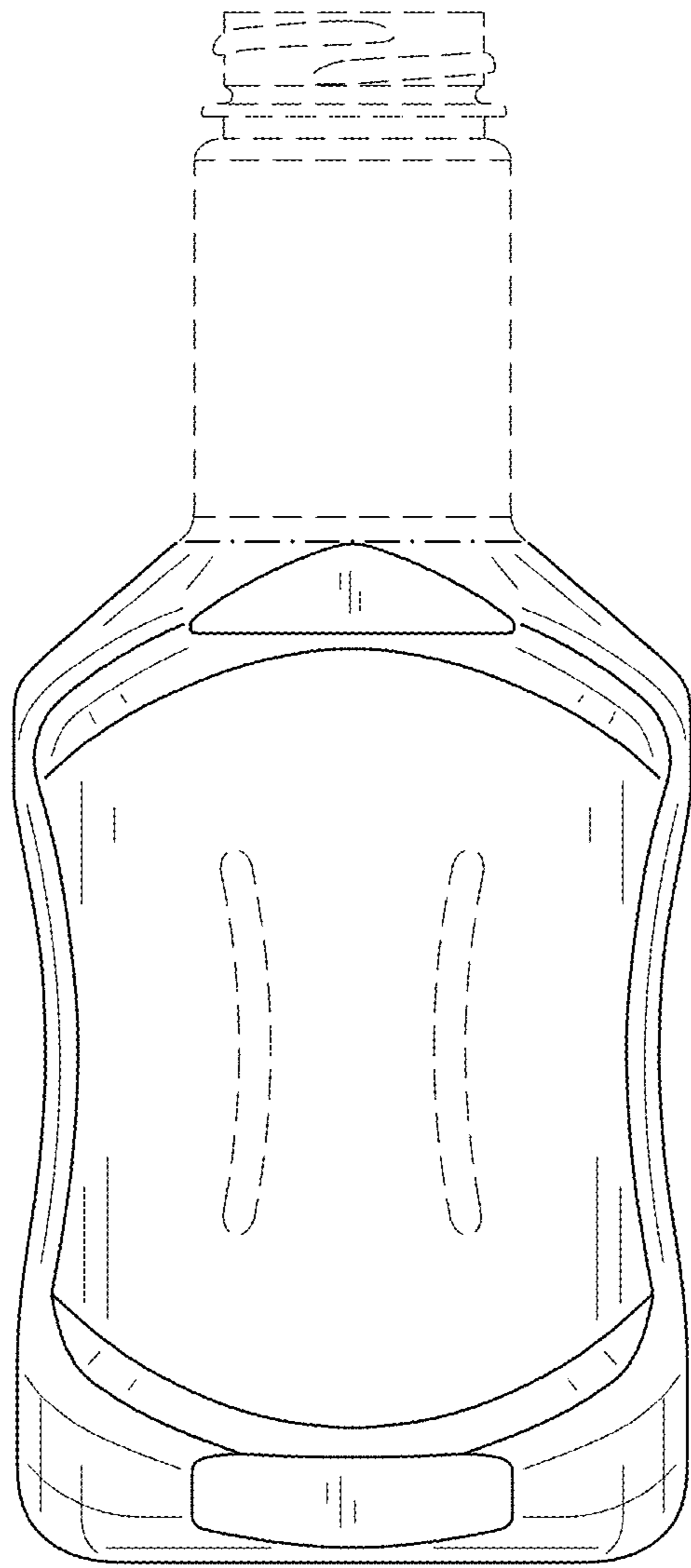


FIG. 3

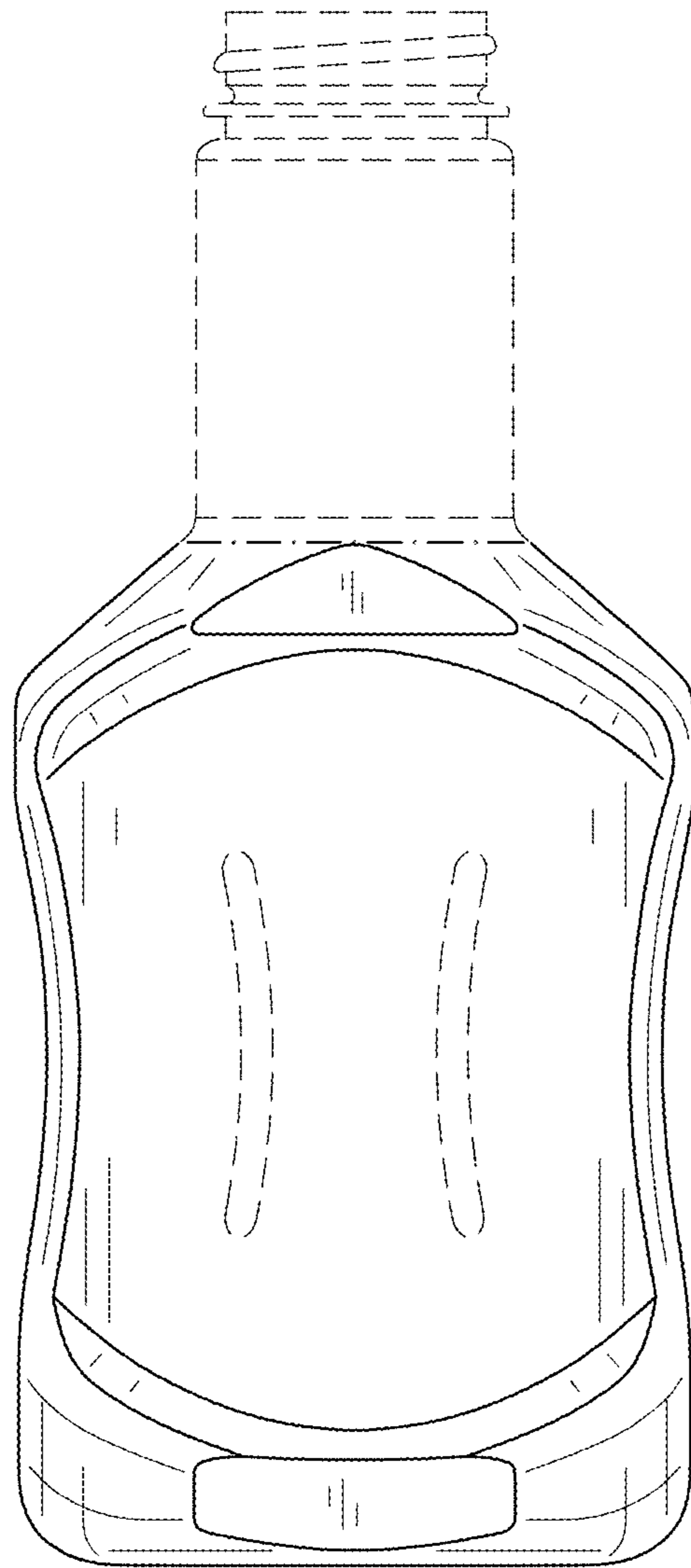


FIG. 4

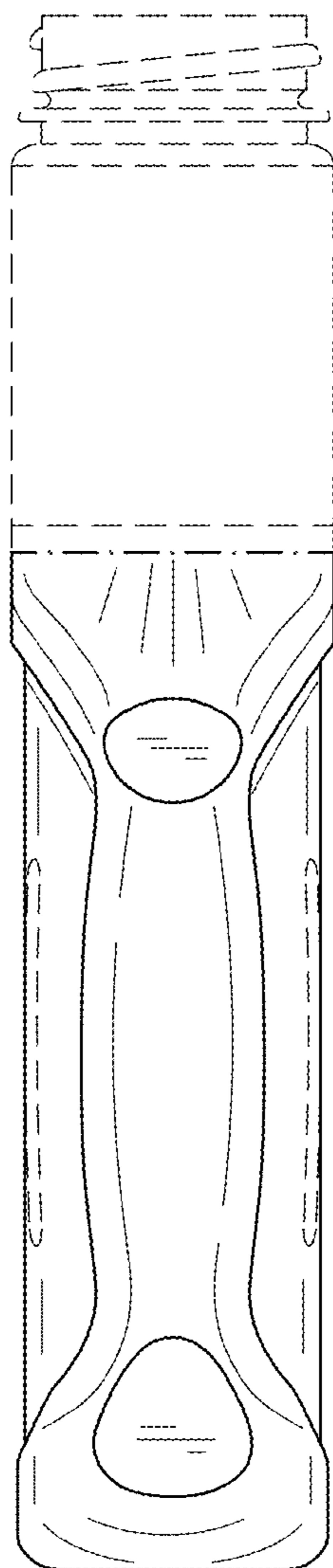


FIG. 5

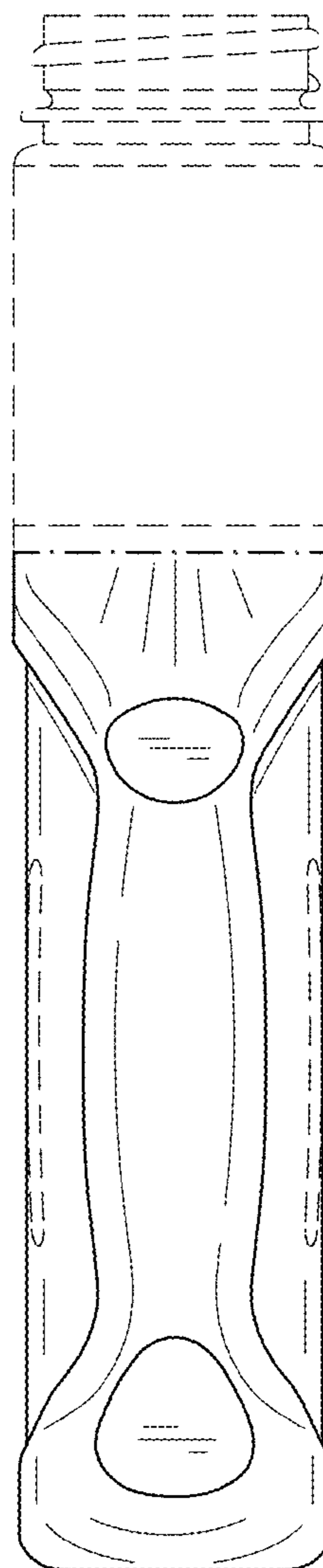


FIG. 6

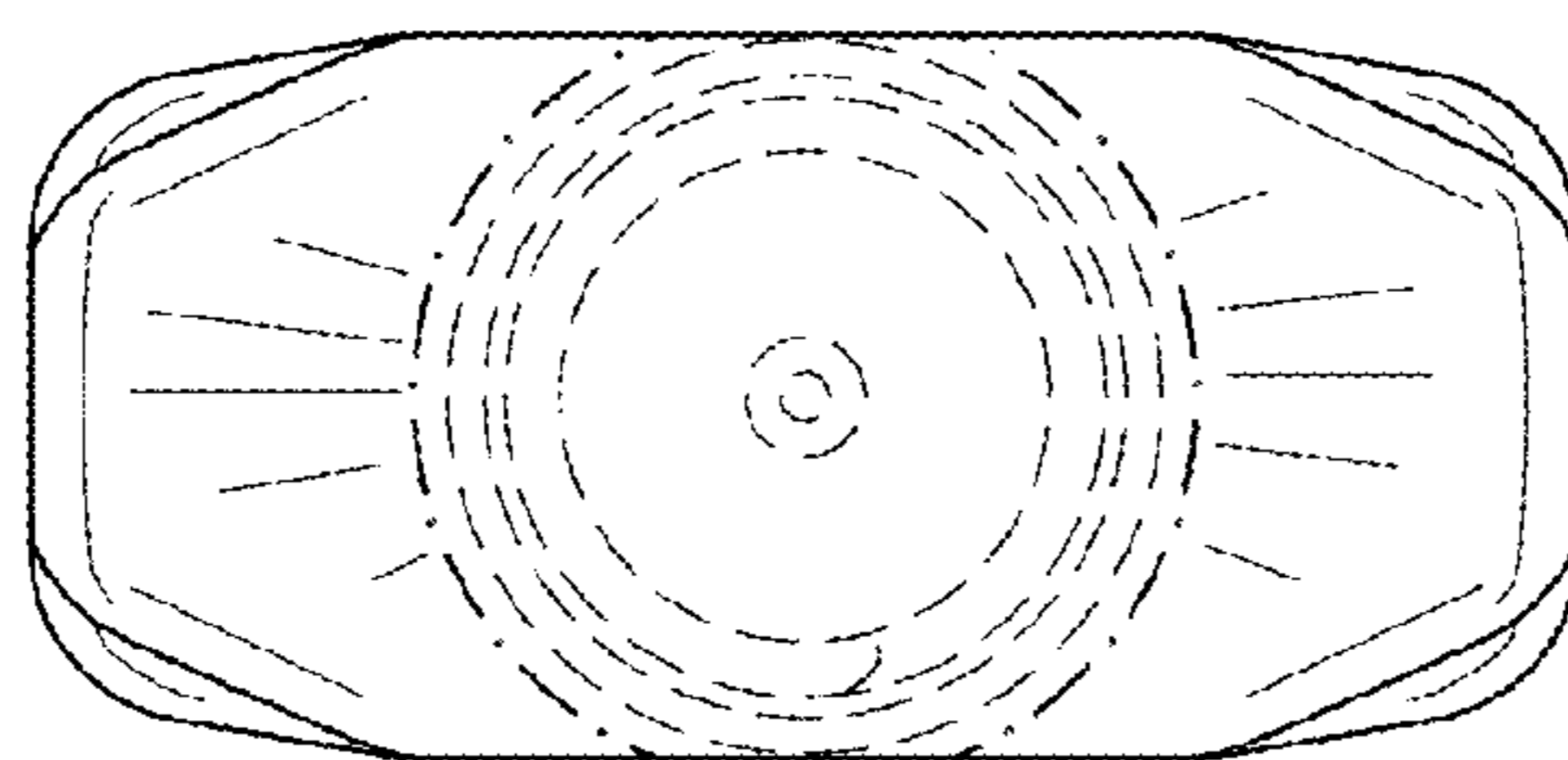


FIG. 7

