



US00D743799S

(12) **United States Design Patent**
Wohlgenannt et al.

(10) **Patent No.:** **US D743,799 S**

(45) **Date of Patent:** **** Nov. 24, 2015**

(54) **CONTAINER**

(71) Applicant: **CAPARTIS AG**, Schaffhausen (CH)

(72) Inventors: **Herbert Wohlgenannt**, Schaffhausen (CH); **Fabian Bernhard**, Stetten (CH)

(73) Assignee: **CAPARTIS AG**, Schaffhausen (CH)

(**) Term: **14 Years**

(21) Appl. No.: **29/457,665**

(22) Filed: **Jun. 12, 2013**

(51) **LOC (10) Cl.** **09-01**

(52) **U.S. Cl.**

USPC **D9/537**

(58) **Field of Classification Search**

USPC D7/300, 302, 305, 317, 320, 321, 322,
D7/505, 507, 509, 510, 511, 538, 601, 602,
D7/605, 608, 619.1, 624.3, 629; D9/434,
D9/435, 439, 443, 449, 503, 504, 516, 518,
D9/519, 529, 530, 537, 549, 551, 564, 686,
D9/688, 690, 693, 715, 719, 738, 751,
D9/759; 215/12.1, 12.2, 13.1, 379, 381,
215/382; 220/254.9, 262, 660, 703, 715

See application file for complete search history.

(56) **References Cited**

U.S. PATENT DOCUMENTS

5,310,081 A * 5/1994 McCabe 220/715
D583,674 S * 12/2008 Terrasi D9/600
D625,564 S * 10/2010 He D7/608
8,453,858 B2 * 6/2013 Wohlgenannt 215/253
8,464,895 B2 * 6/2013 Gilbert et al. 220/703

D707,492 S * 6/2014 George et al. D7/510
2011/0017697 A1 * 1/2011 Wohlgenannt 215/253
2013/0119060 A1 * 5/2013 Chiou et al. 220/254.3

* cited by examiner

Primary Examiner — Susan Bennett Hattan

Assistant Examiner — Leanne Was

(74) *Attorney, Agent, or Firm* — Pearl Cohen Zedek Latzer Baratz LLP

(57) **CLAIM**

The ornamental design for a container, as shown and described.

DESCRIPTION

FIG. 1 is a top, front, left side perspective view of the container in a closed configuration;

FIG. 2 is a front elevational view thereof;

FIG. 3 is a back elevational view thereof;

FIG. 4 is a left side elevational view thereof, the right side elevational view being a mirror image thereof;

FIG. 5 is a top plan view thereof;

FIG. 6 is a bottom plan view thereof; and

FIG. 7 is a bottom, front, right side perspective view of thereof.

FIG. 8 is an exploded top, front, left side perspective view of the container in an open configuration;

FIG. 9 is a front elevational view thereof;

FIG. 10 is a back elevational view thereof;

FIG. 11 is a left side elevational view thereof, the right side elevational view being a mirror image thereof;

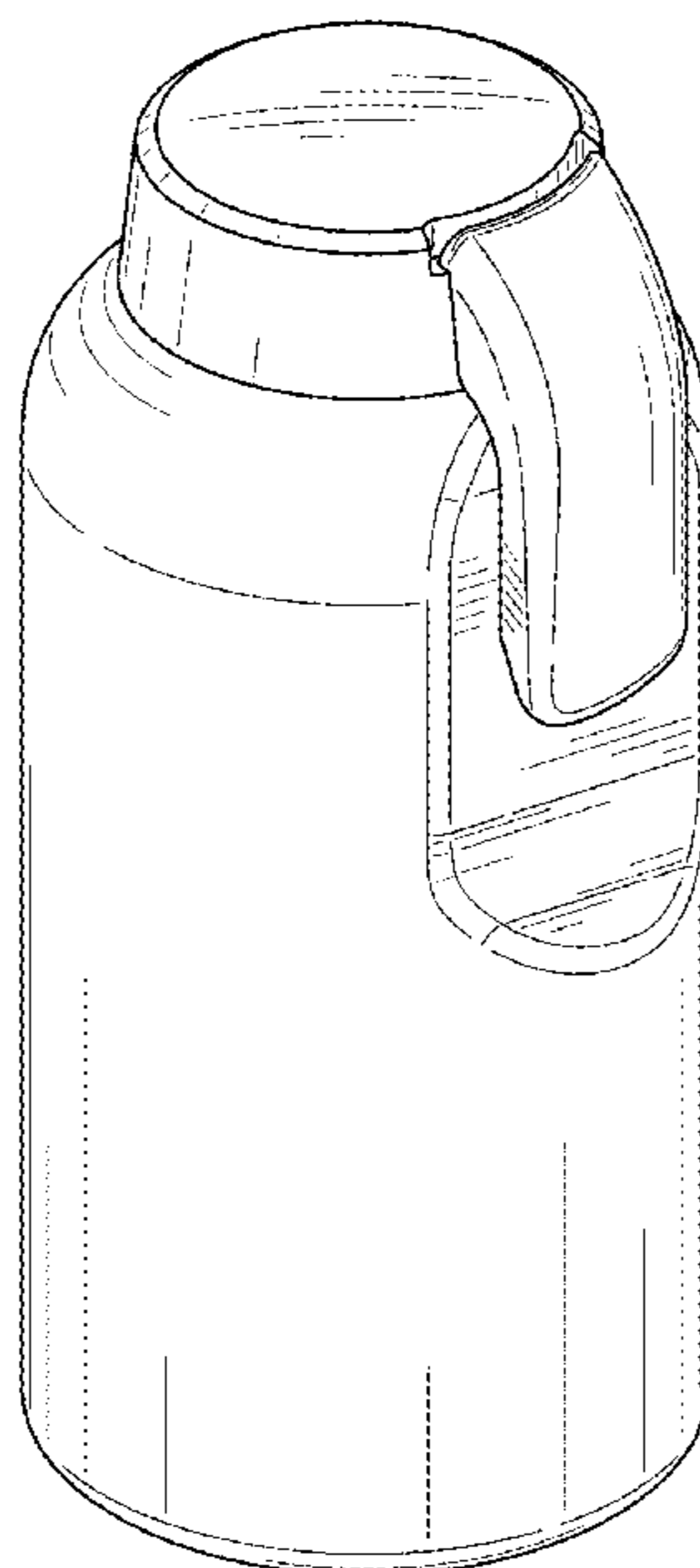
FIG. 12 is a top plan view thereof;

FIG. 13 is a bottom plan view thereof; and,

FIG. 14 is a bottom, front, right side perspective view of thereof.

The broken lines in the drawings depict portions of the container that forms no part of the claimed design.

1 Claim, 9 Drawing Sheets



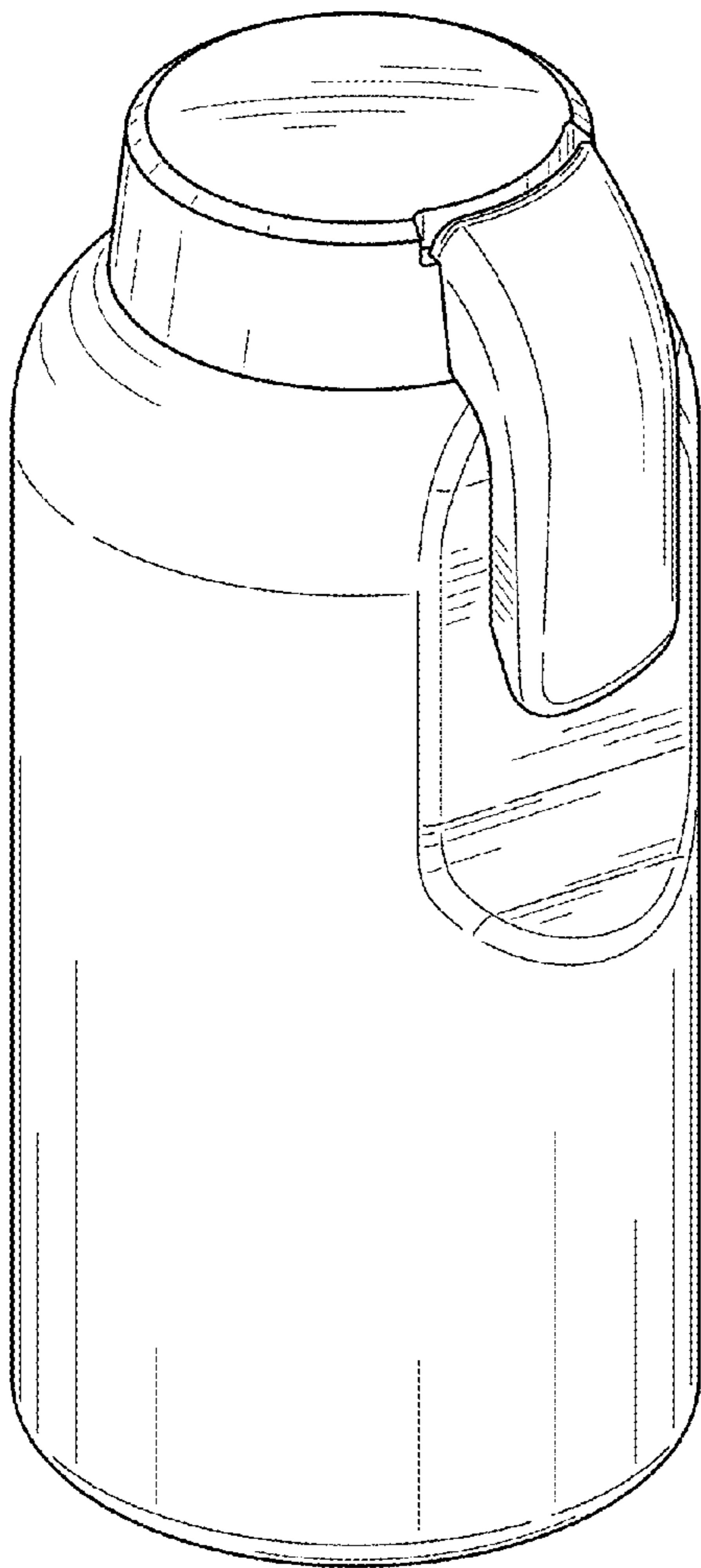


FIG. 1

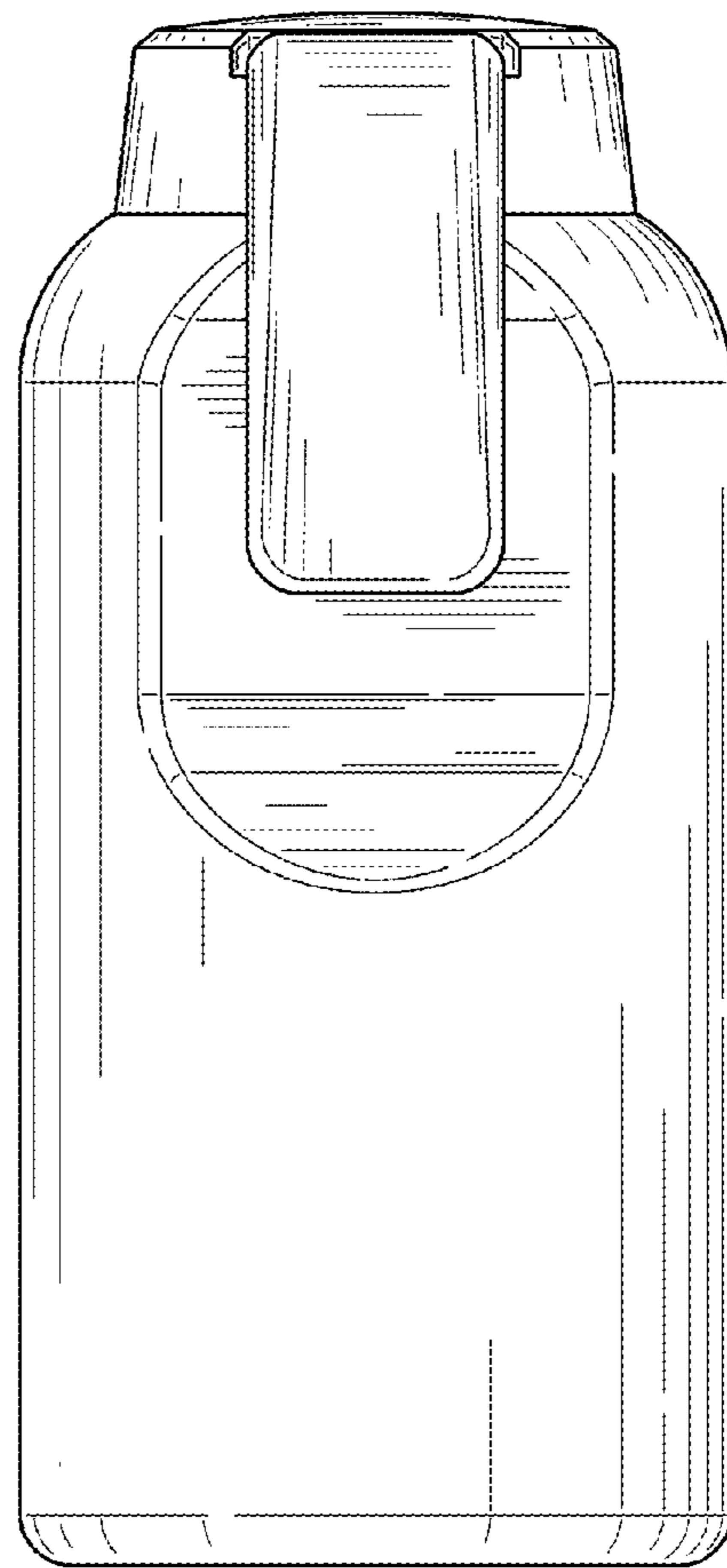


FIG. 2

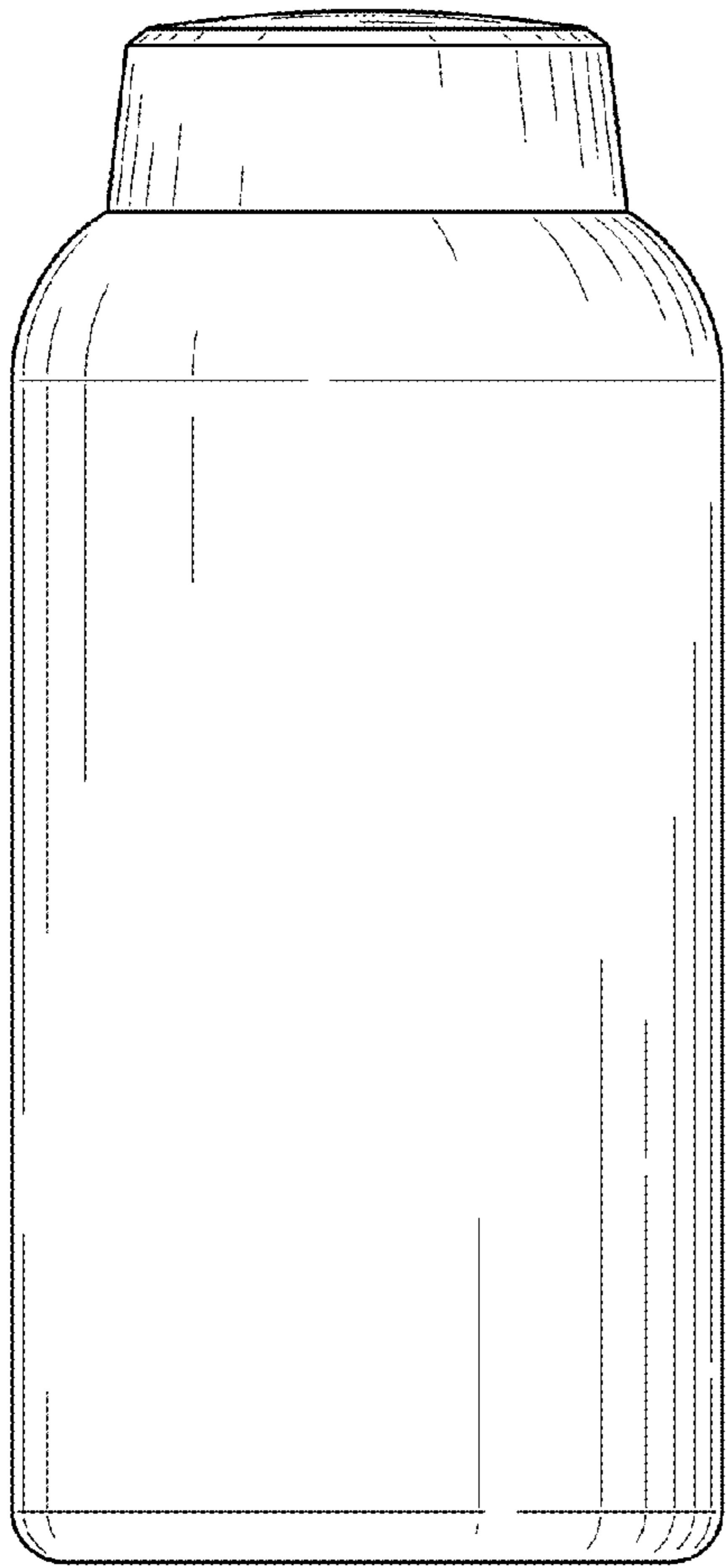


FIG. 3

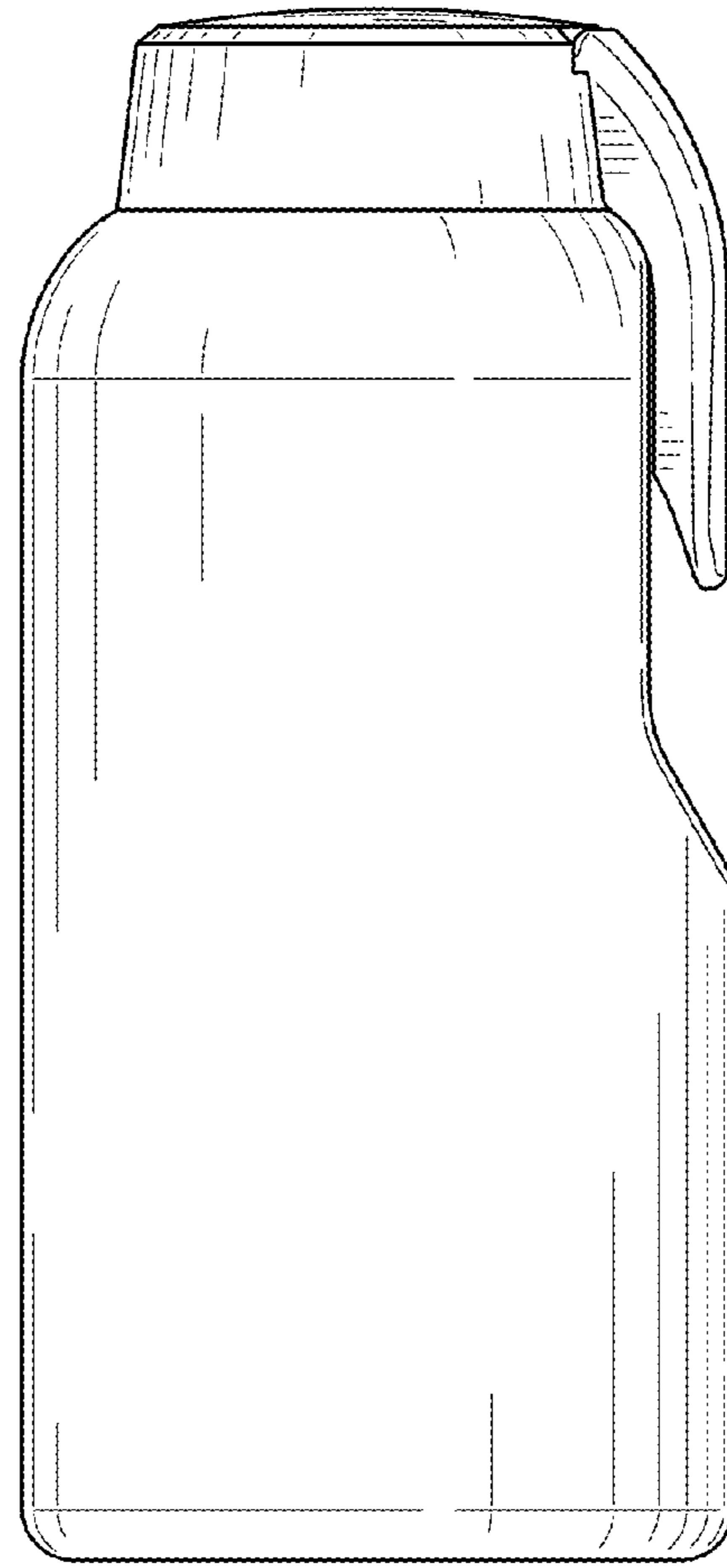


FIG. 4

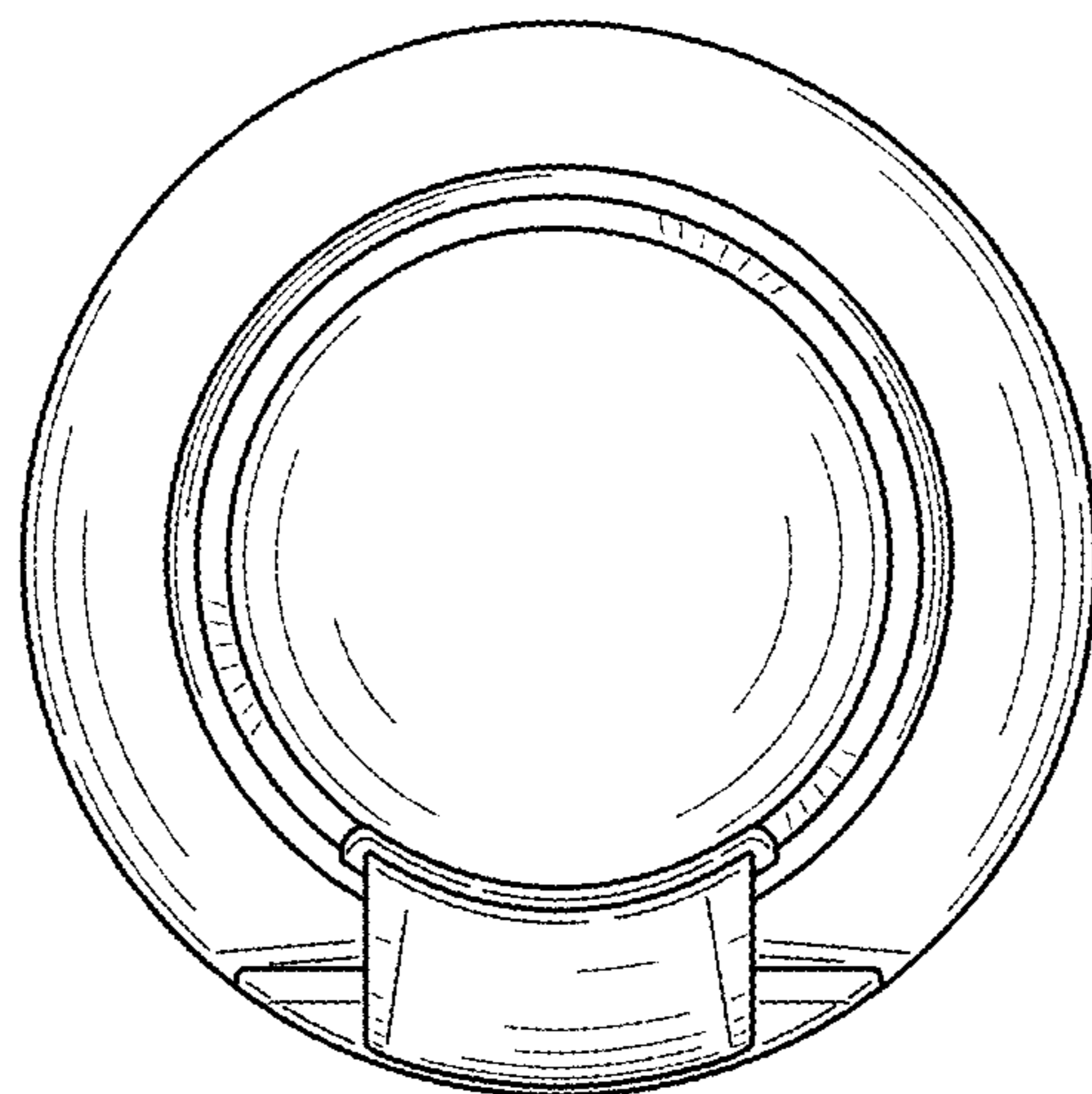


FIG. 5

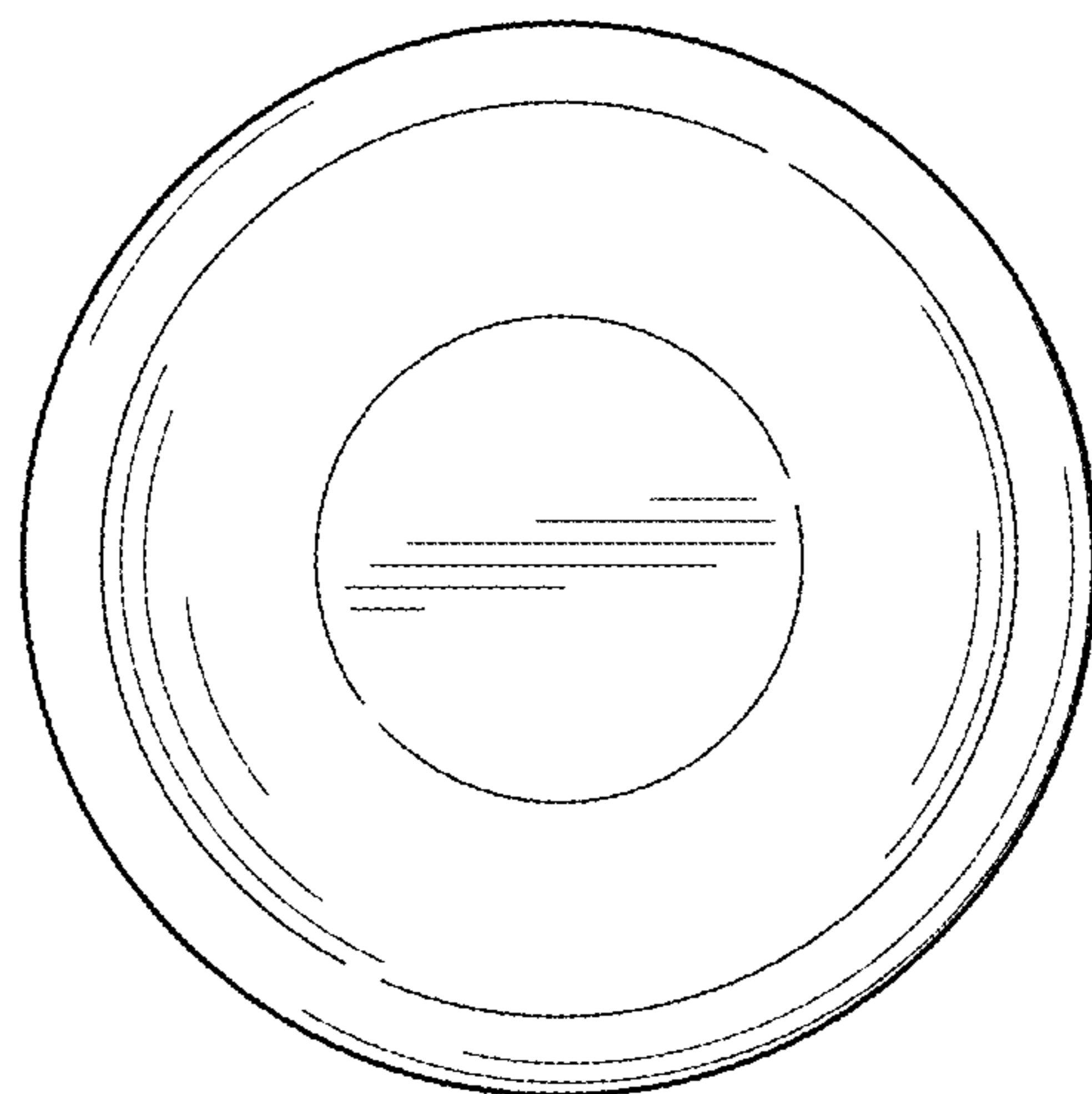


FIG. 6

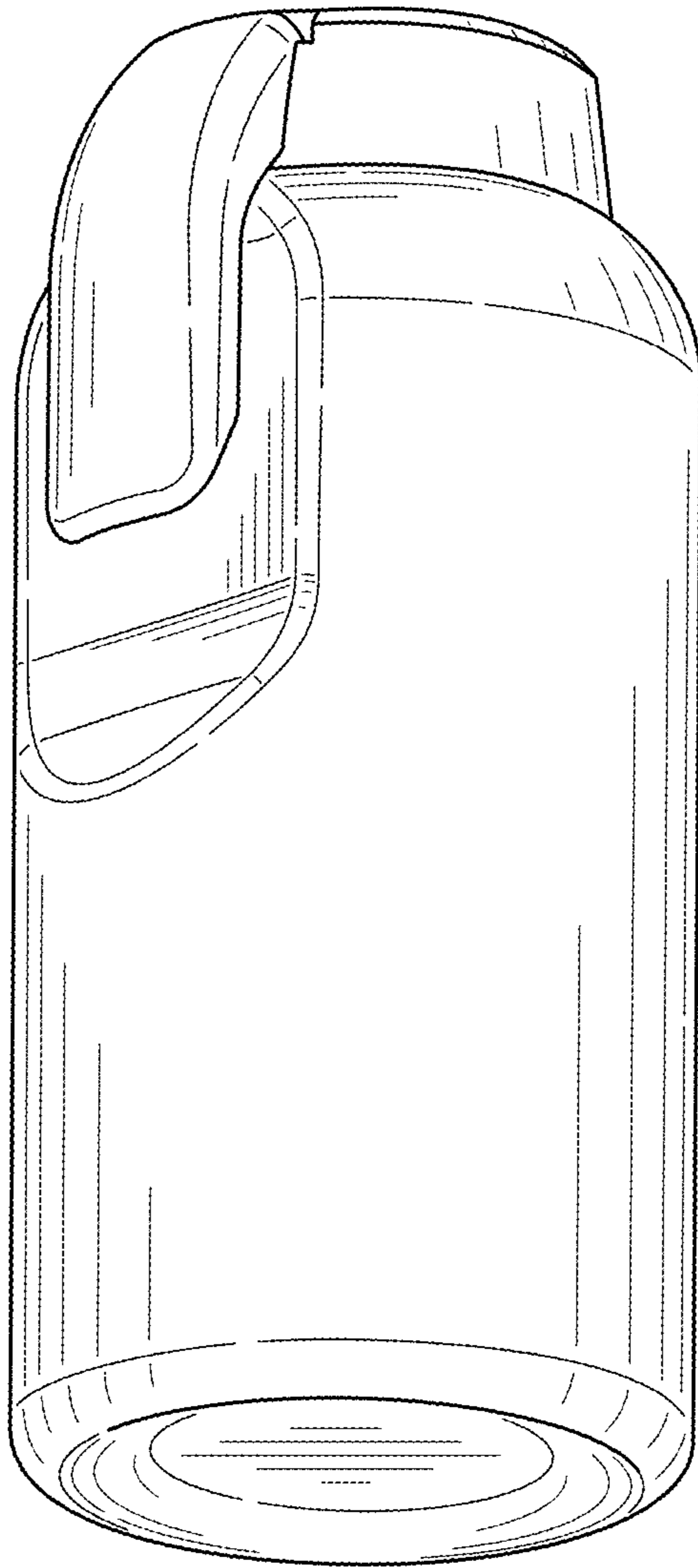


FIG. 7

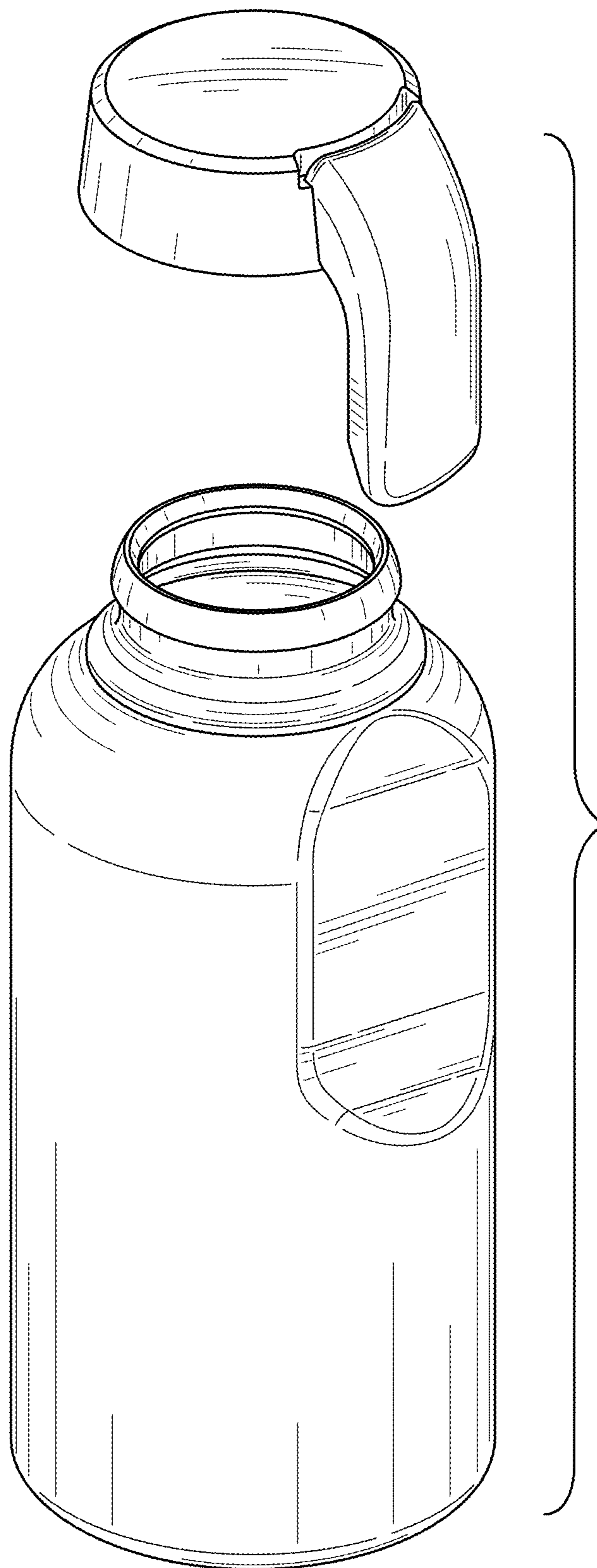


FIG. 8

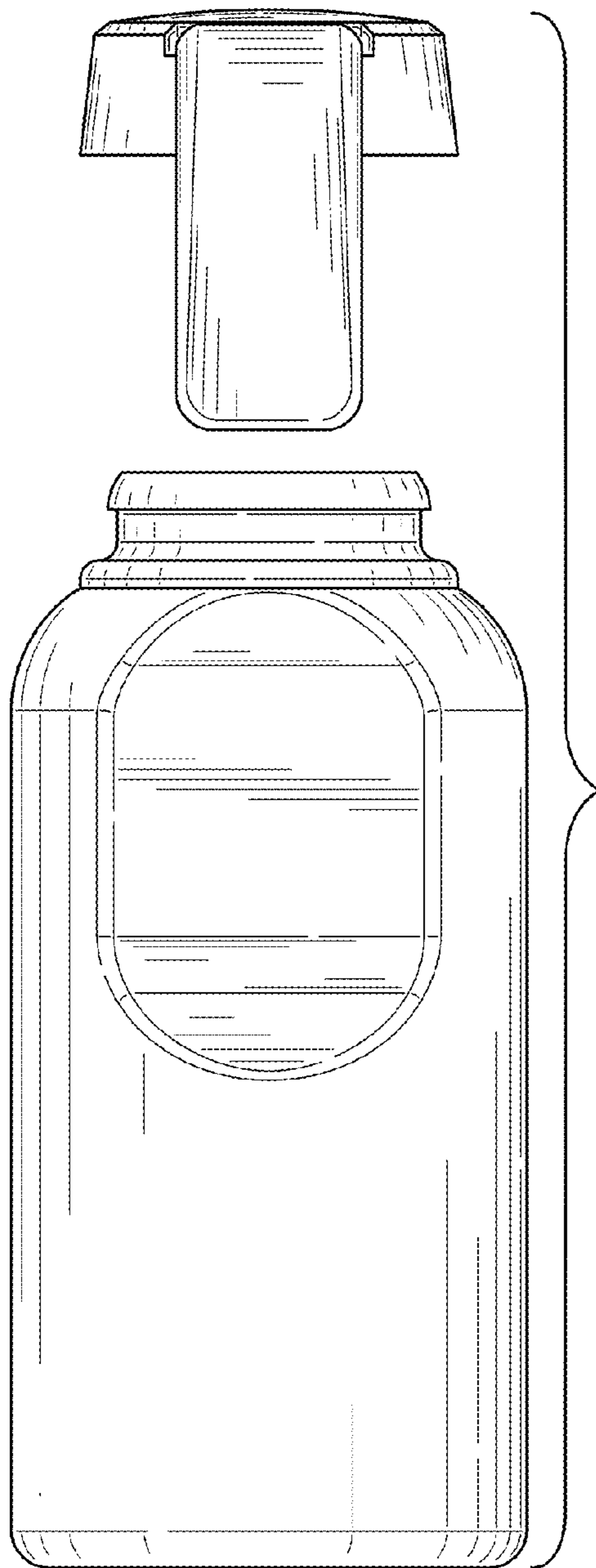


FIG. 9

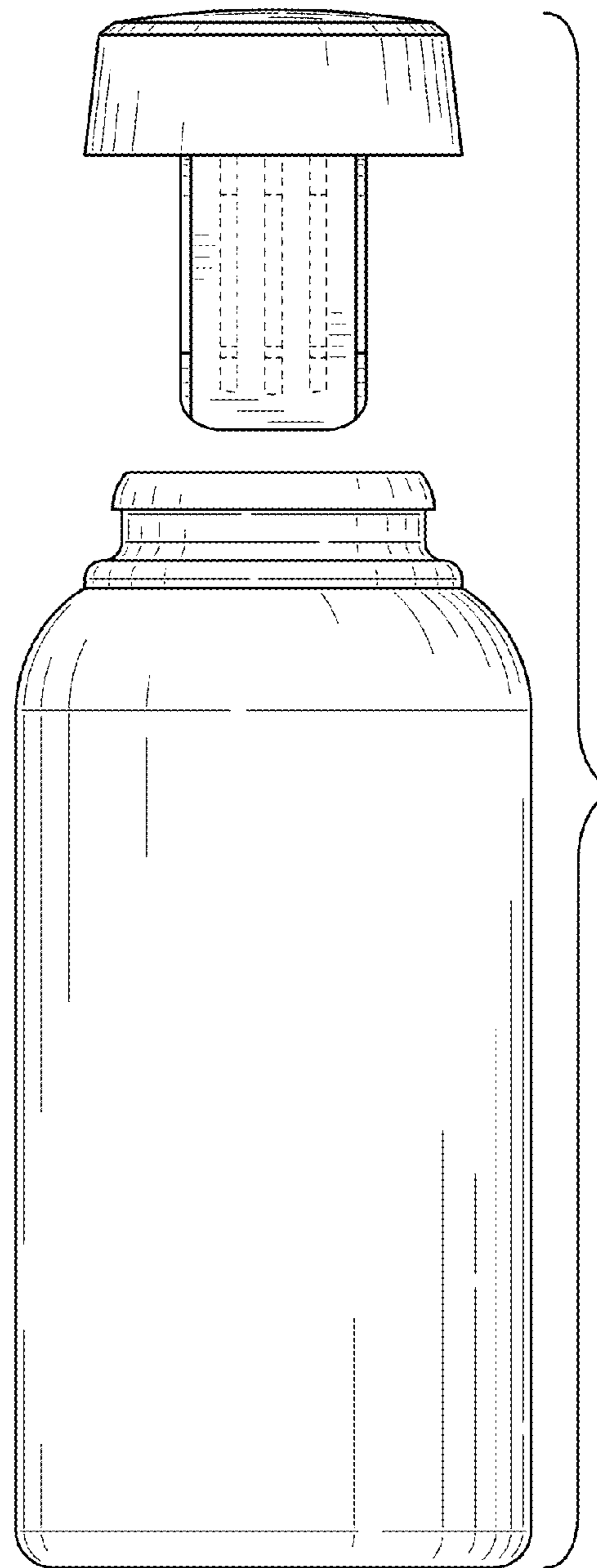


FIG. 10

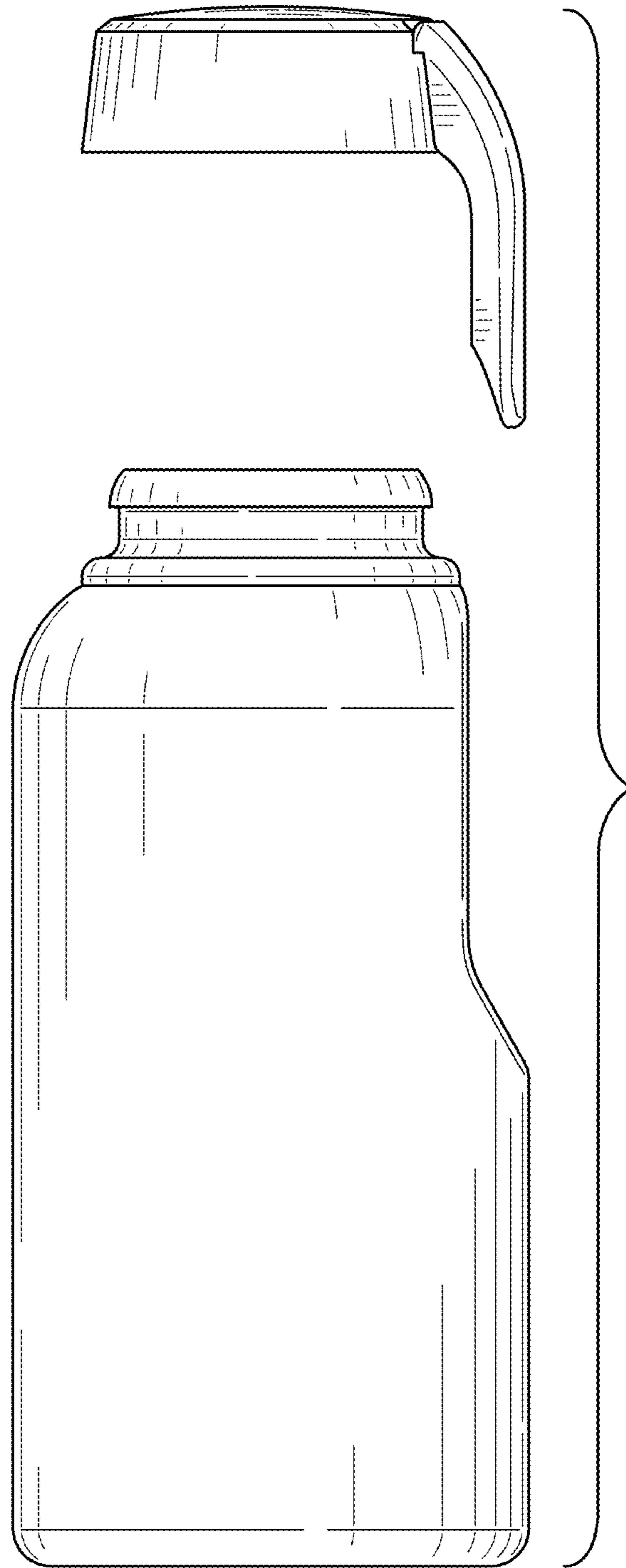


FIG. 11

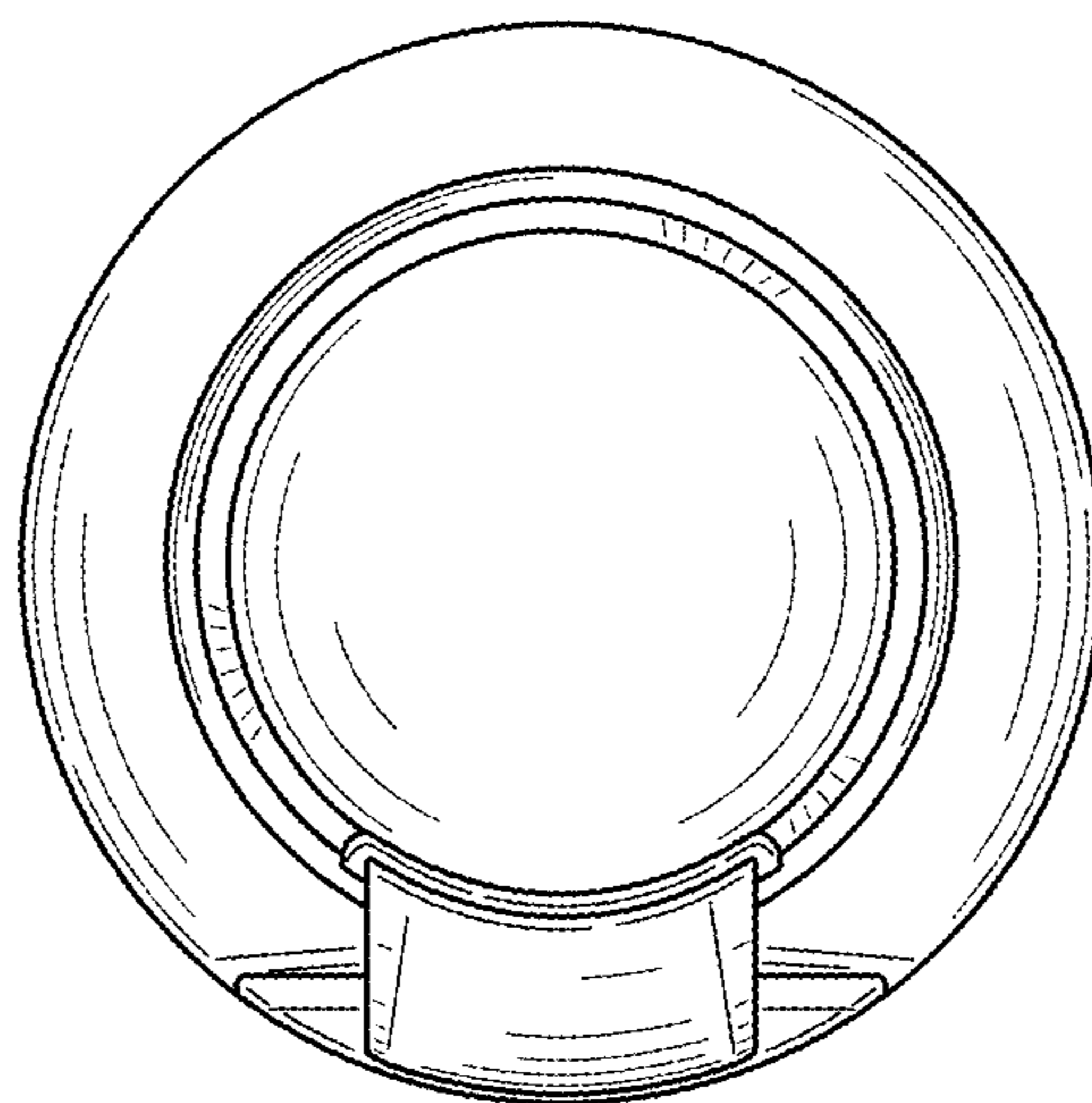


FIG. 12

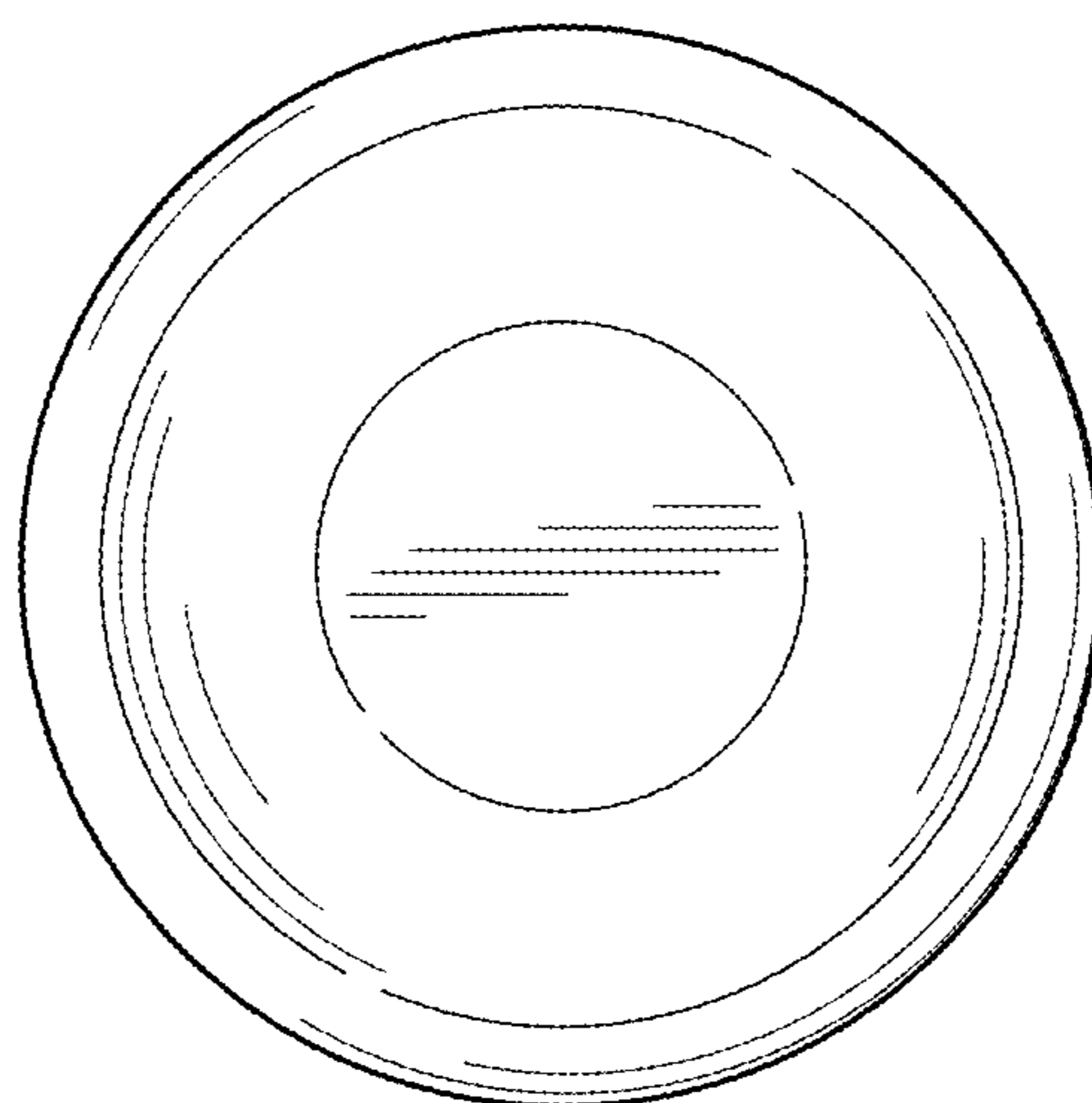


FIG. 13

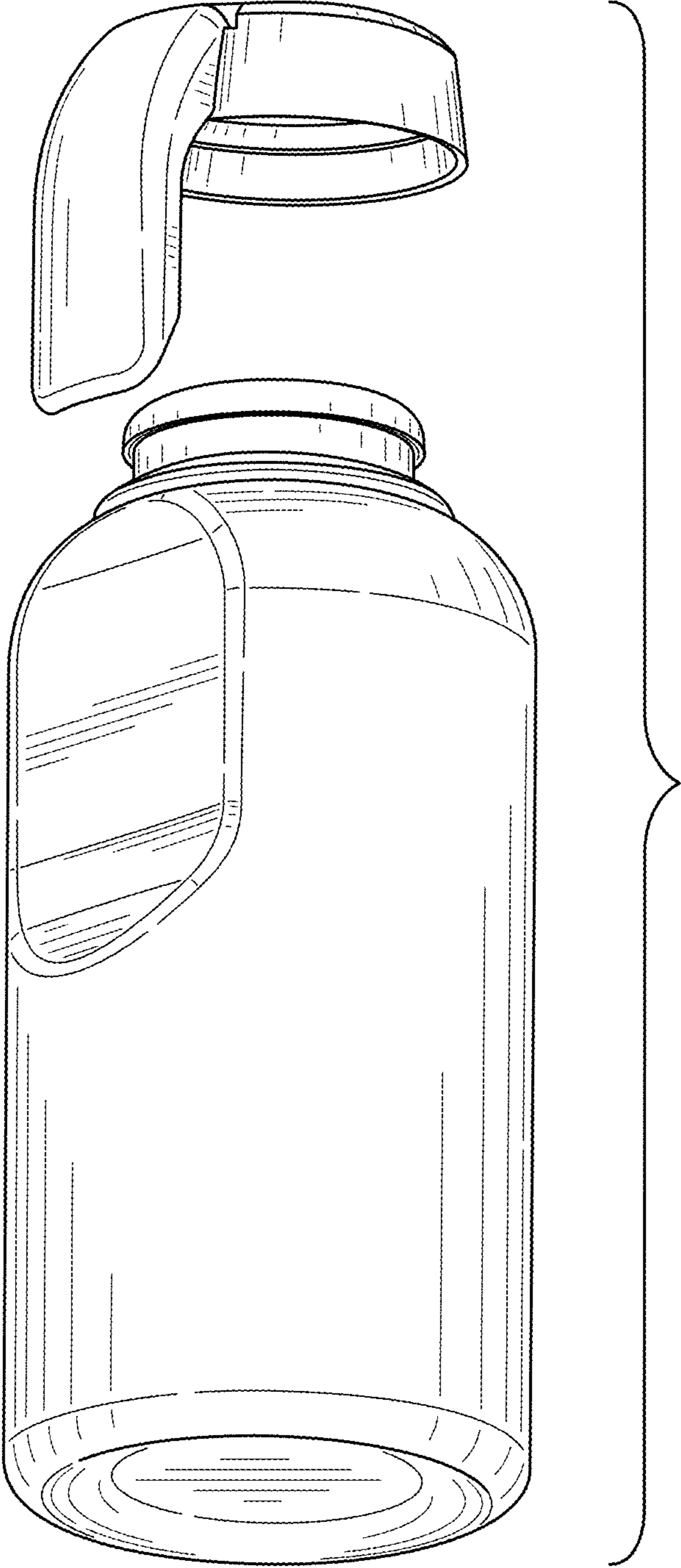


FIG. 14