



US00D743791S

(12) **United States Design Patent**  
**Andersson**

(10) **Patent No.:** **US D743,791 S**

(45) **Date of Patent:** **\*\* Nov. 24, 2015**

(54) **BOTTLE PUMP**

D428,339 S 7/2000 Johnston et al.  
D436,863 S \* 1/2001 Wadsworth et al. .... D9/448  
D438,113 S 2/2001 Wadsworth

(71) Applicant: **Teisseire France SAS**, Crolles (FR)

(Continued)

(72) Inventor: **Anna Andersson**, Paris (FR)

FOREIGN PATENT DOCUMENTS

(73) Assignee: **Teisseire France**, Crolles (FR)

EM 000031695-001 9/2003  
EM 001338578-001 10/2012

(\*\*) Term: **14 Years**

(Continued)

(21) Appl. No.: **29/480,028**

OTHER PUBLICATIONS

(22) Filed: **Jan. 22, 2014**

Test: Sirop Doseur Teisseire, [dunouveaucuisine.com](http://dunouveaucuisine.com), © 2015.  
Excerpt found online Jul. 15, 2015 at <http://dunouveaucuisine.com/tests-nouveaux-produits/sirop-doseur-teisseire>.\*

(30) **Foreign Application Priority Data**

(Continued)

Jul. 22, 2013 (EM) ..... 002279018

(51) **LOC (10) Cl.** ..... **09-07**

*Primary Examiner* — Robert M Spear

(52) **U.S. Cl.**

(74) *Attorney, Agent, or Firm* — Nixon Peabody LLP

USPC ..... **D9/448**

(57) **CLAIM**

(58) **Field of Classification Search**

The ornamental design for bottle pump, as shown and described.

USPC ..... D9/434, 435, 436, 448, 499; 215/379,  
215/382, 383, 384; 220/669–675;

222/153.1–153.14, 210, 211, 389, 398

CPC ..... B65D 2502/0081; B65D 1/0223;  
B65D 83/0032

**DESCRIPTION**

See application file for complete search history.

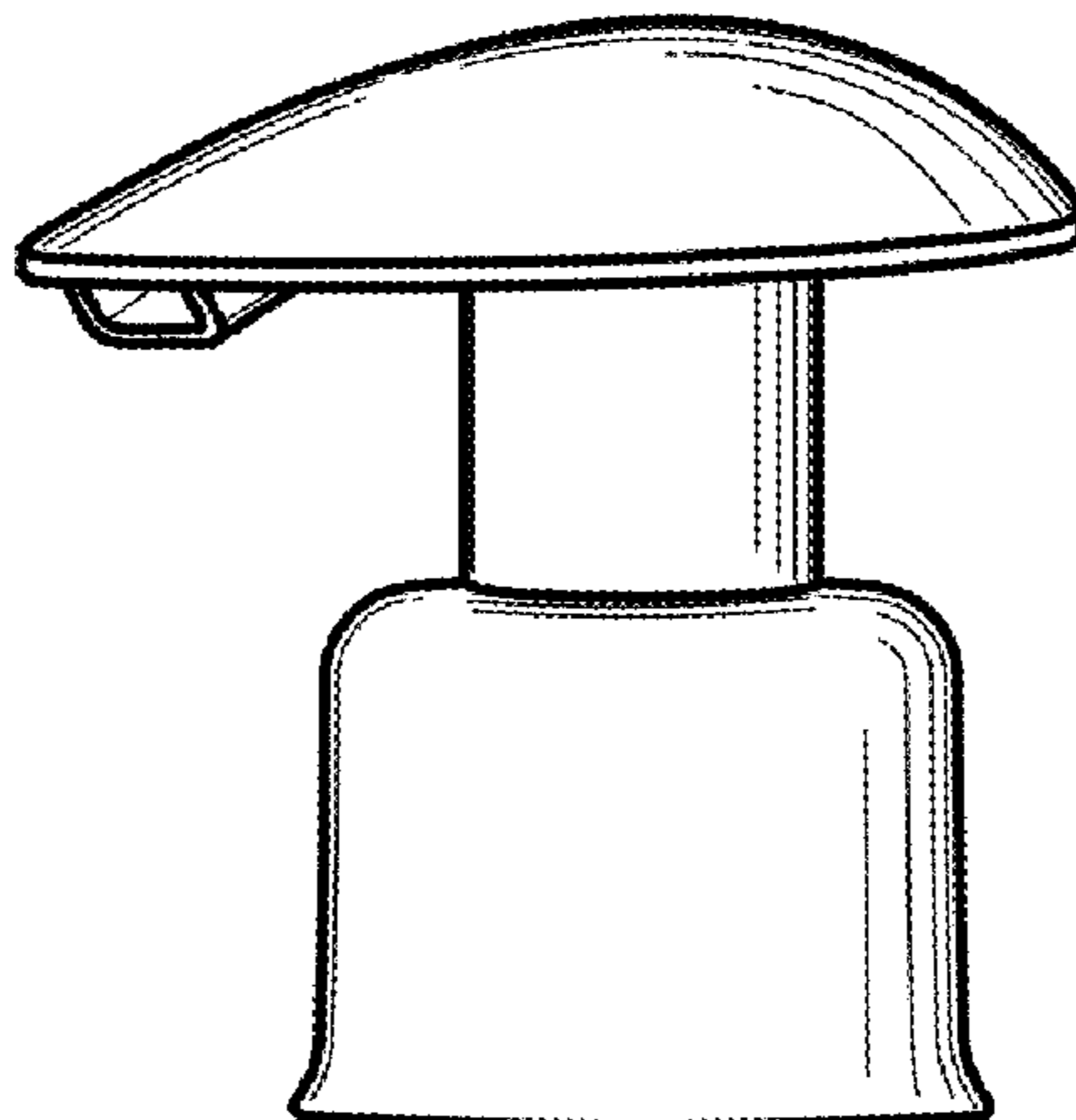
FIG. 1 is a perspective view of a bottle pump.  
FIG. 2 is another perspective view of the bottle pump.  
FIG. 3 is a first side elevation view of the bottle pump.  
FIG. 4 is a second side elevation view of the bottle pump, which is opposite to the first side elevation view of FIG. 3.  
FIG. 5 is a third side elevation view of the bottle pump, which is adjacent to the first side elevation view of FIG. 3.  
FIG. 6 is a fourth side elevation view of the bottle pump, which is opposite to the third side elevation view of FIG. 5.  
FIG. 7 is a top plan view of the bottle pump; and,  
FIG. 8 is a bottom plan view of the bottle pump.  
The broken lines in the drawings represent unclaimed environmental subject matter and form no part of the claim.

(56) **References Cited**

U.S. PATENT DOCUMENTS

D225,725 S 1/1973 Pettengill  
D225,727 S 1/1973 Pettengill  
D308,575 S 6/1990 Mariol  
D333,434 S 2/1993 Sosenko  
D362,188 S 9/1995 Van Dyk  
D383,847 S 9/1997 Skinner  
6,003,519 A 12/1999 Gueret

**1 Claim, 2 Drawing Sheets**



(56)

References Cited

U.S. PATENT DOCUMENTS

D438,468 S \* 3/2001 Wadsworth ..... D9/448  
 D458,537 S 6/2002 Crawford et al.  
 D465,150 S 11/2002 Crawford et al.  
 D471,105 S \* 3/2003 Gonzalez Fernandez ..... D9/448  
 D479,131 S 9/2003 Warner et al.  
 D485,747 S 1/2004 Crawford  
 D489,614 S \* 5/2004 Pinnavaia ..... D9/448  
 D489,992 S 5/2004 Brauner et al.  
 D495,604 S 9/2004 Lund et al.  
 D501,140 S 1/2005 Fung et al.  
 D501,792 S 2/2005 Priestman  
 D520,363 S 5/2006 Perez  
 D522,372 S 6/2006 Wang et al.  
 D524,166 S 7/2006 Walthier et al.  
 D531,903 S 11/2006 Haubein  
 D532,311 S 11/2006 Yourist  
 D534,805 S 1/2007 Larocca  
 D536,973 S \* 2/2007 van der Heijden et al. .... D6/542  
 D571,213 S 6/2008 Le Bras-Brown et al.  
 D588,006 S \* 3/2009 Boes et al. .... D9/448  
 D591,154 S 4/2009 Darr et al.  
 D591,166 S 4/2009 Bradley et al.  
 D600,553 S \* 9/2009 Dubitsky et al. .... D9/448  
 D600,554 S 9/2009 Toh et al.  
 D610,011 S 2/2010 De Pieretti  
 D613,607 S 4/2010 Yokota  
 D620,362 S 7/2010 Boukobza  
 D620,758 S 8/2010 Smiedt et al.  
 D636,262 S \* 4/2011 Michitsuji et al. .... D9/448  
 D642,470 S 8/2011 Yourist  
 D649,064 S 11/2011 Wang Treadway et al.

D660,155 S 5/2012 Jenkins  
 D678,064 S \* 3/2013 Arminak ..... D9/448  
 D688,561 S 8/2013 Bunce et al.  
 8,567,625 B2 10/2013 Nemoto  
 D709,762 S \* 7/2014 Kuo ..... D9/448  
 2008/0054018 A1 3/2008 Stechschulte et al.  
 2011/0198355 A1 8/2011 Mullen

FOREIGN PATENT DOCUMENTS

FR 032649-001 8/2003  
 WO DM/064639 11/2003

OTHER PUBLICATIONS

First report on EU Designs prepared by Questel Orbit, dated Jul. 7, 2013 (11 pages).  
 Second report on EU Designs prepared by Questel Orbit, dated Jul. 7, 2013 (69 pages).  
 First report on FR Designs prepared by Questel Orbit, dated Jul. 7, 2013 (2 pages).  
 Second report on FR Designs prepared by Questel Orbit, dated Jul. 7, 2013 (18 pages).  
 Report on EU Designs prepared by Questel Orbit, dated Jul. 2, 2013 (14 pages).  
 Report on EU Designs prepared by Questel Orbit, dated Jul. 2, 2013 (334 pages).  
 Report on FR Designs prepared by Questel Orbit, dated Jul. 2, 2013 (7 pages).  
 Report on FR Designs prepared by Questel Orbit, dated Jul. 2, 2013 (172 pages).

\* cited by examiner

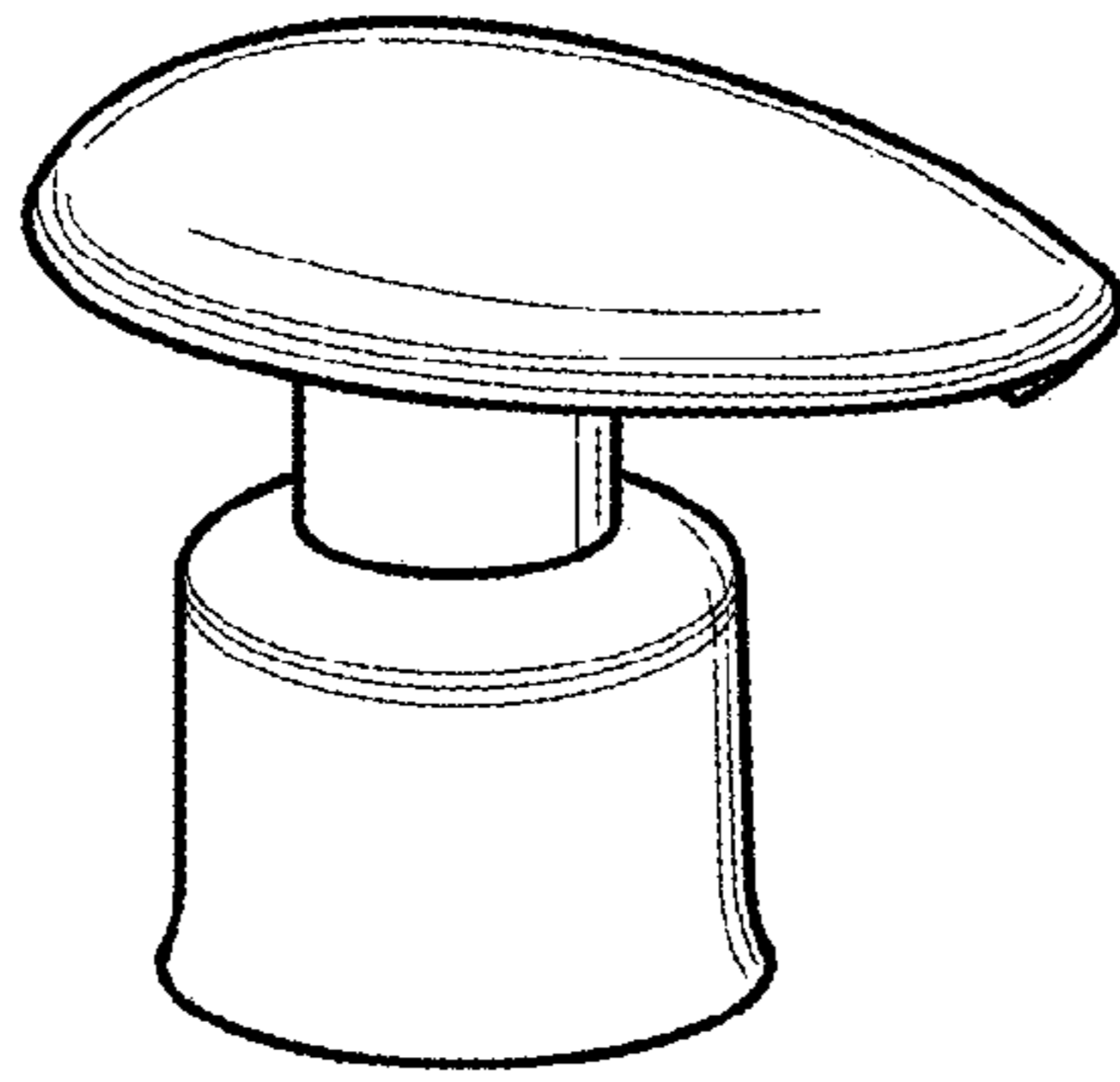


FIG. 1

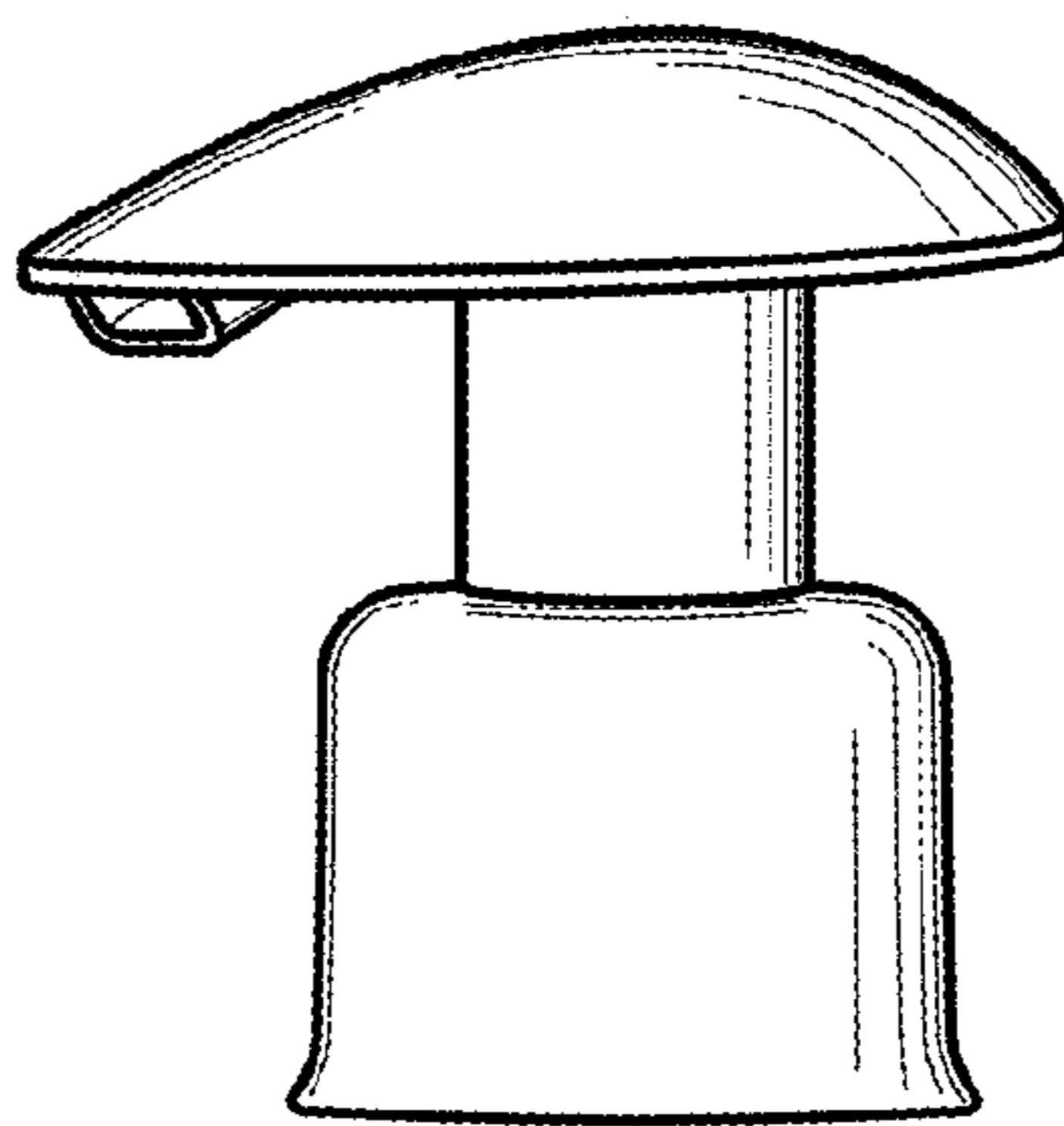


FIG. 2

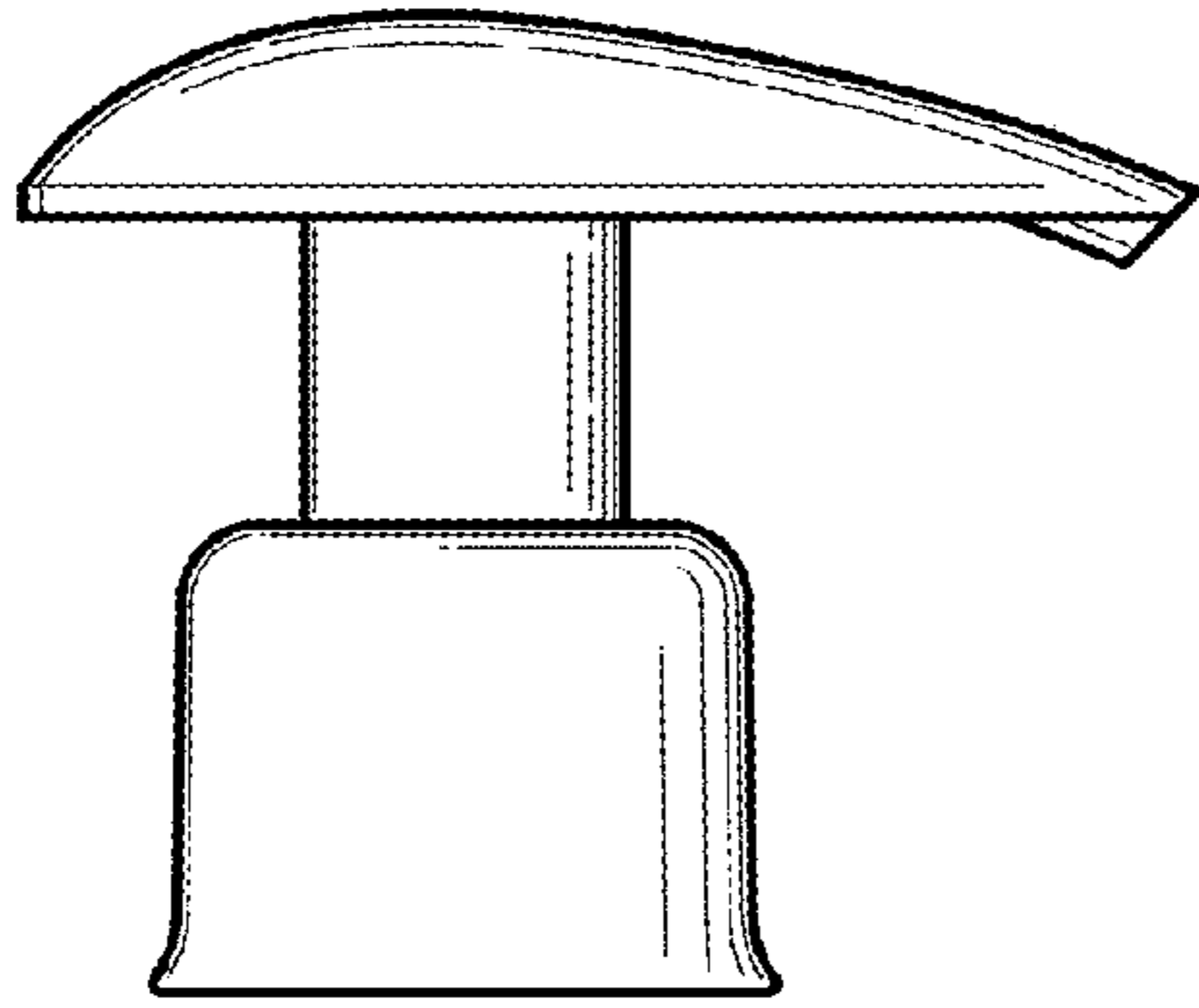


FIG. 3

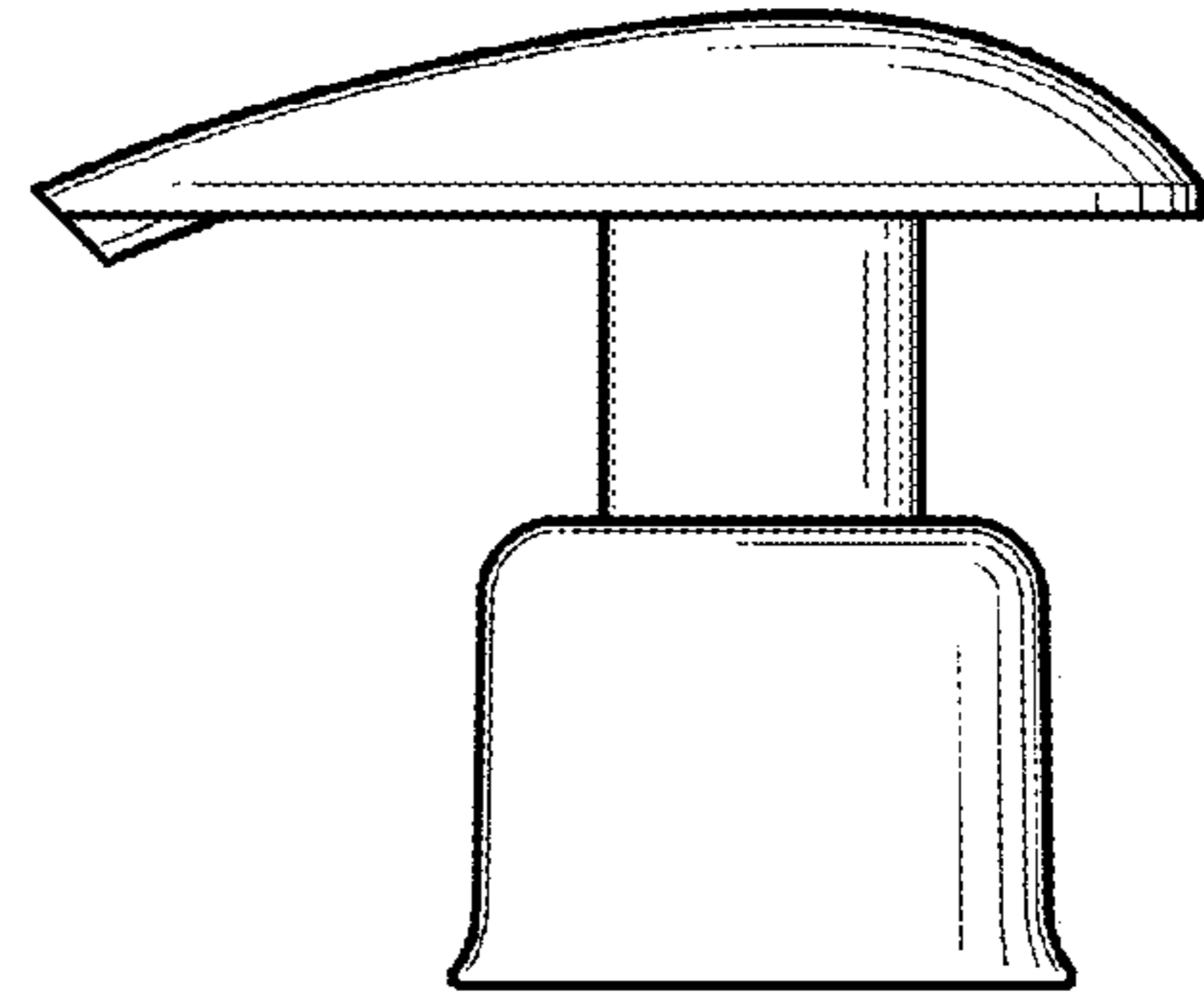


FIG. 4

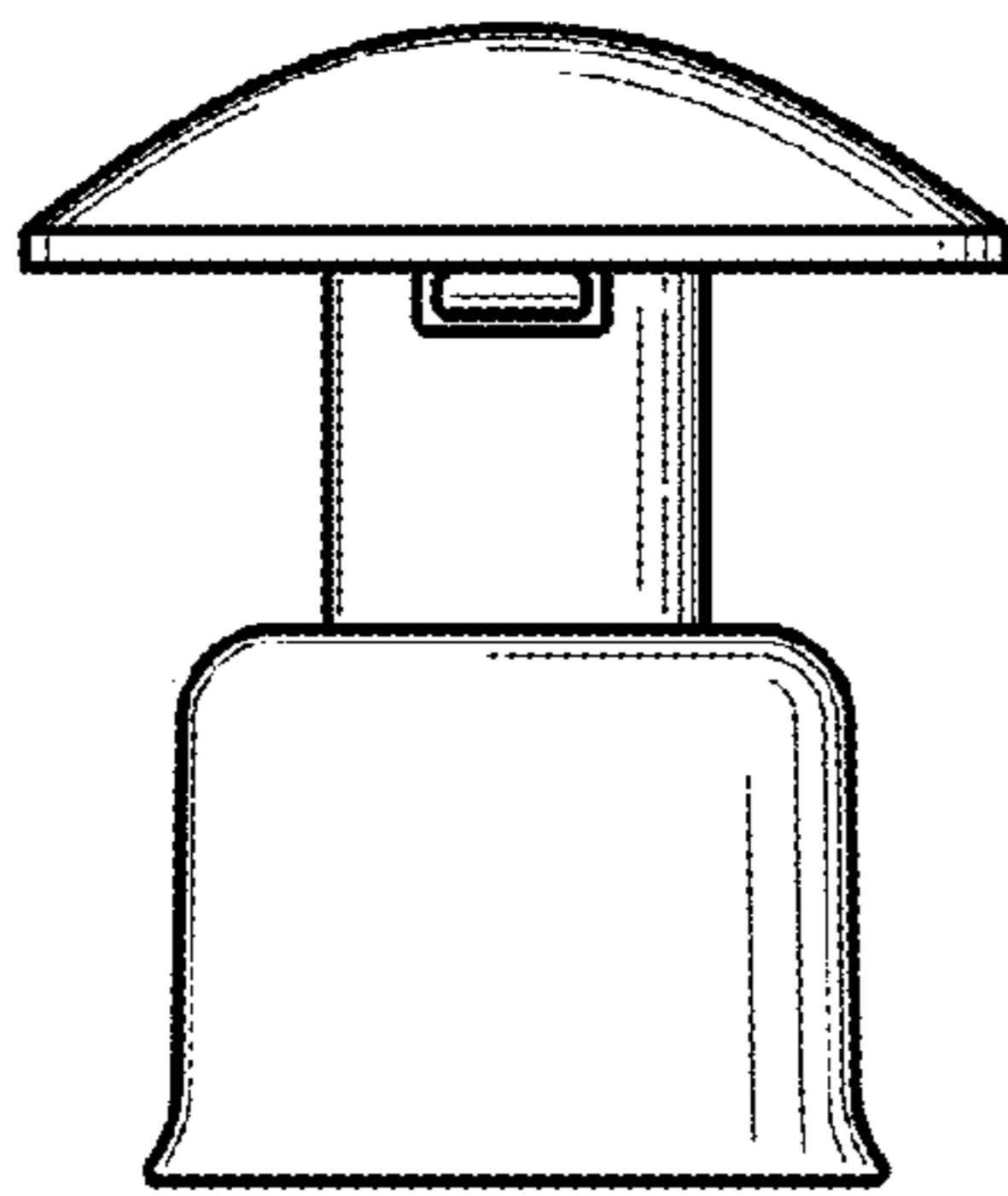


FIG. 5

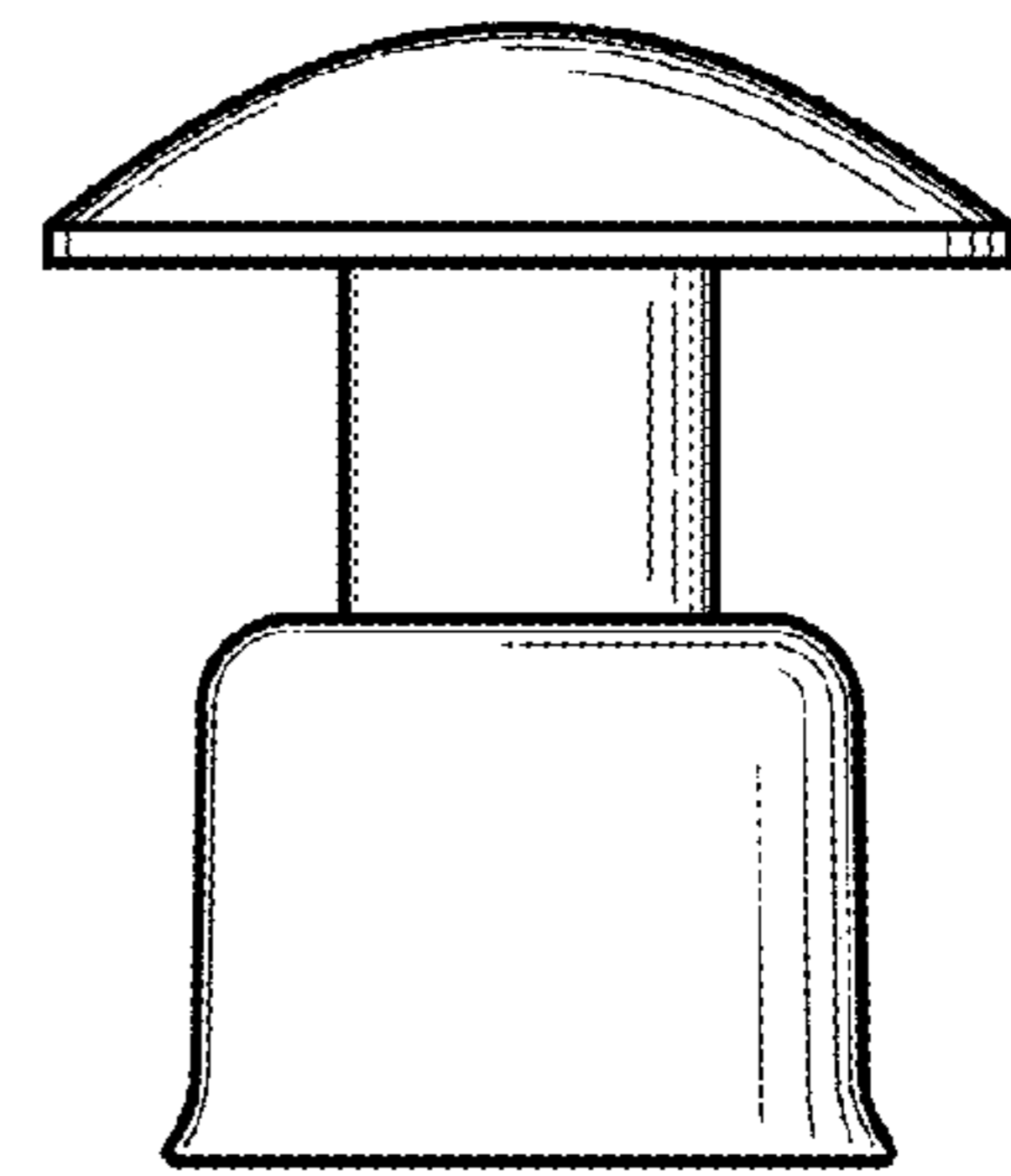


FIG. 6

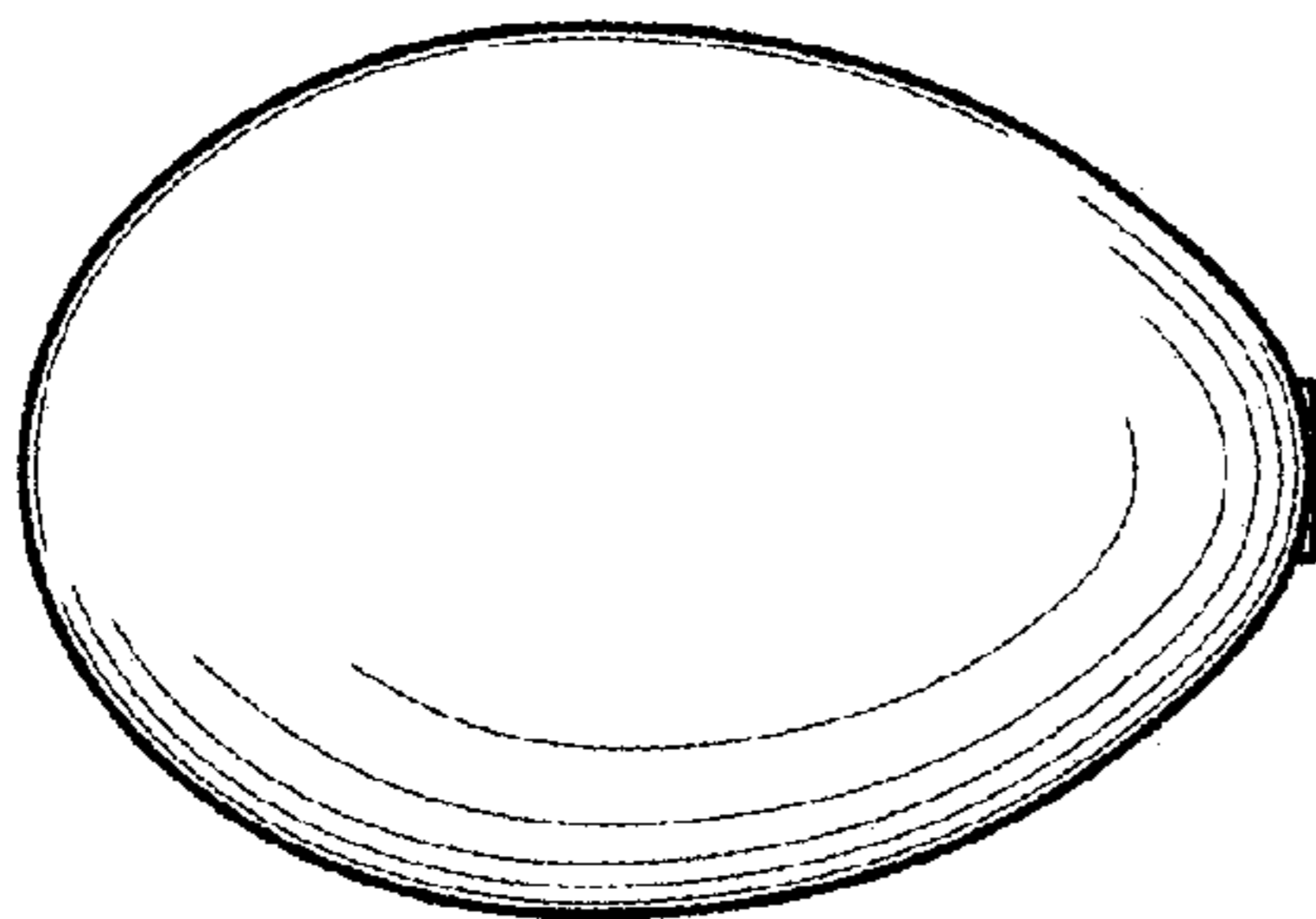


FIG. 7

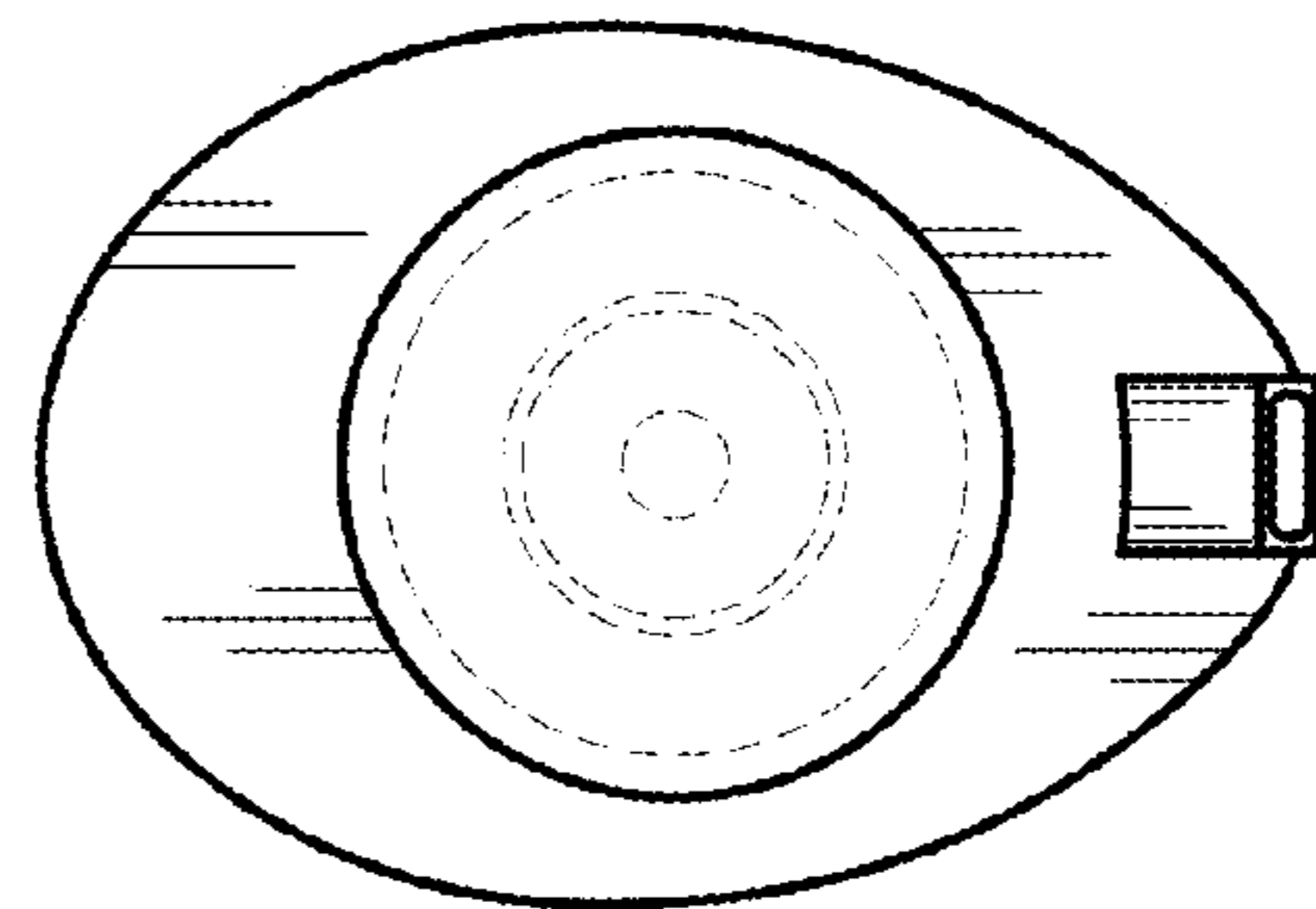


FIG. 8