



US00D743790S

(12) **United States Design Patent**  
**Hussain et al.**

(10) **Patent No.:** **US D743,790 S**

(45) **Date of Patent:** **\*\* Nov. 24, 2015**

(54) **CLOSURE**

(71) Applicant: **AptarGroup, Inc.**, Crystal Lake, IL  
(US)

(72) Inventors: **Syed Zakir Hussain**, Hyderabad (IN);  
**Karthik Reddy Kotha**, Hyderabad (IN)

(73) Assignee: **AptarGroup, Inc.**, Crystal Lake, IL  
(US)

(\*\*) Term: **14 Years**

(21) Appl. No.: **29/488,678**

(22) Filed: **Apr. 22, 2014**

(51) **LOC (10) Cl.** ..... **09-07**

(52) **U.S. Cl.**  
USPC ..... **D9/447**

(58) **Field of Classification Search**  
USPC ..... D9/434, 435, 436, 440, 447, 449, 454,  
D9/499; D7/392.1, 396.2; 206/501;  
220/254, 254.5  
CPC ..... B65D 21/0228; B65D 45/025; B65D  
47/0895; B65D 51/04; B65D 47/08  
See application file for complete search history.

(56) **References Cited**

**U.S. PATENT DOCUMENTS**

D231,968 S *	7/1974	Juhlin	.....	D7/538
6,631,820 B2 *	10/2003	Harrold et al.	.....	215/237
D525,526 S *	7/2006	Abbott et al.	.....	D9/449
D536,974 S *	2/2007	Smith et al.	.....	D9/449
D536,975 S *	2/2007	Smith et al.	.....	D9/449

D547,652 S *	7/2007	Kerman et al.	.....	D9/438
D565,959 S *	4/2008	Hadtke	.....	D9/541
D661,583 S *	6/2012	Santarelli et al.	.....	D9/449
D672,650 S *	12/2012	Wisniewski et al.	.....	D9/449
D702,551 S *	4/2014	Wisniewski et al.	.....	D9/449
2012/0199610 A1 *	8/2012	Cain	.....	222/212

\* cited by examiner

*Primary Examiner* — Robert M Spear

(74) *Attorney, Agent, or Firm* — Wood, Phillips, Katz, Clark & Mortimer

(57) **CLAIM**

The ornamental design for a closure, as shown and described.

**DESCRIPTION**

FIG. 1 is an isometric view taken from the upper front, and right side of a closure, and FIG. 1 shows our new design with the lid in a closed position as the lid would be initially positioned with the closure body for installation of the closure on a container (not shown);

FIG. 2 is a front elevational view thereof;

FIG. 3 is a right side elevational view thereof, the left side elevational view thereof being a mirror image;

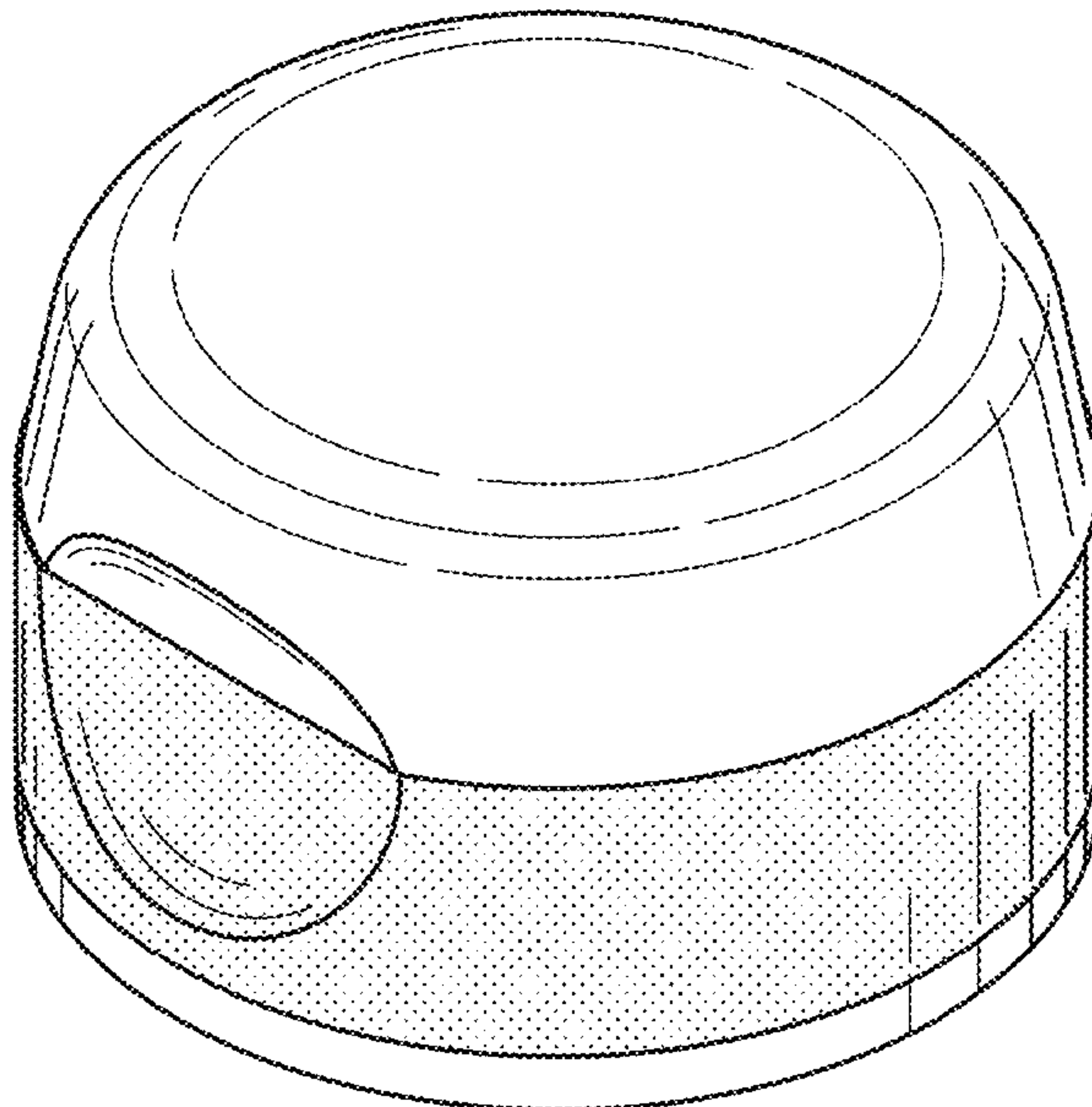
FIG. 4 is a rear elevational view thereof; and,

FIG. 5 is a top plan view thereof.

In the drawings, the broken lines depict environmental subject matter only and form no part of the claimed design.

A top portion of the closure body below the closure lid is depicted with a contrast in surface shading relative to both the lower portion of the closure body and the closure lid, and such depiction represents a contrast in appearance via material, texture, or color so that the aesthetic appearance is enhanced.

**1 Claim, 2 Drawing Sheets**



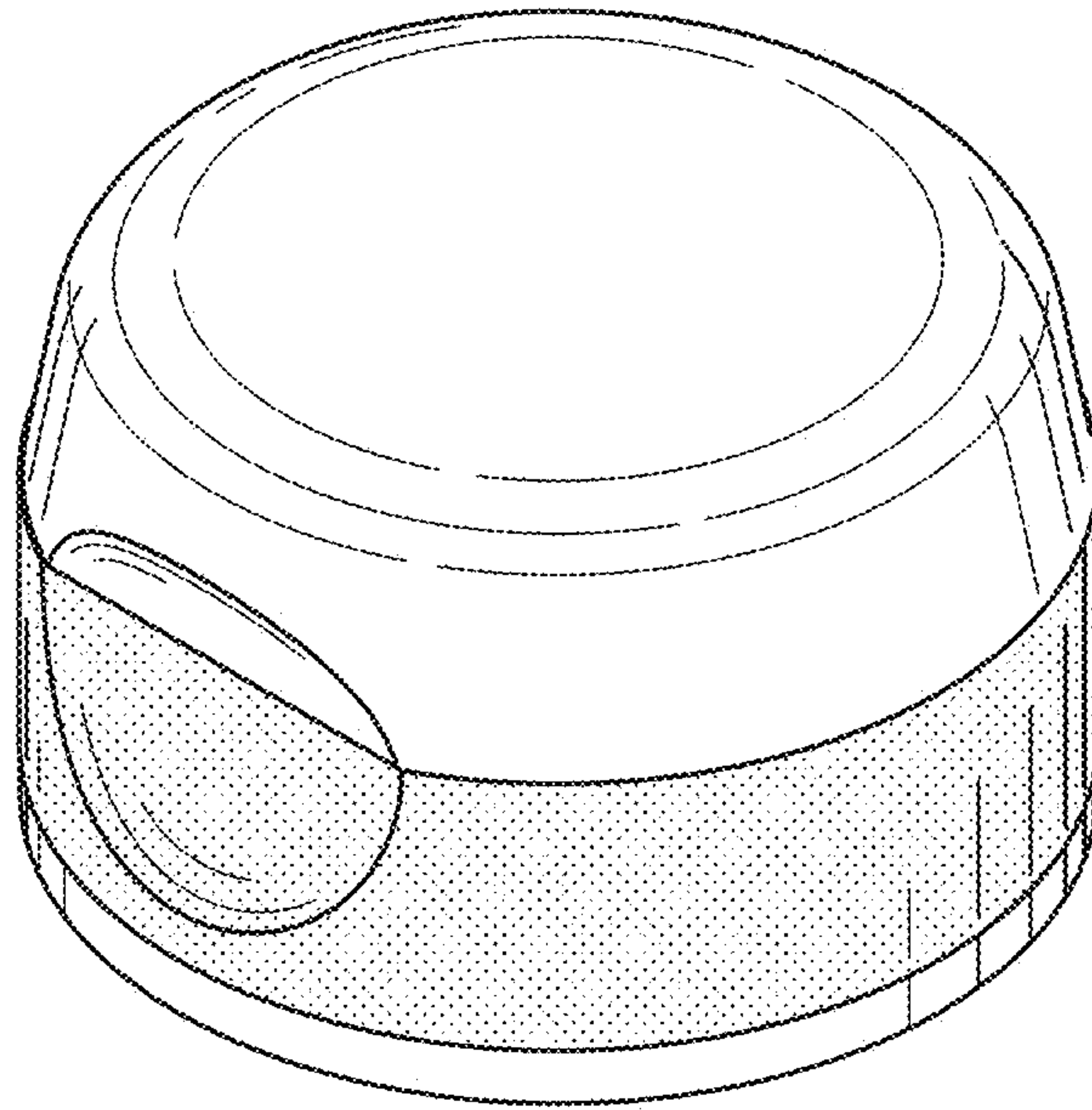


FIG. 1

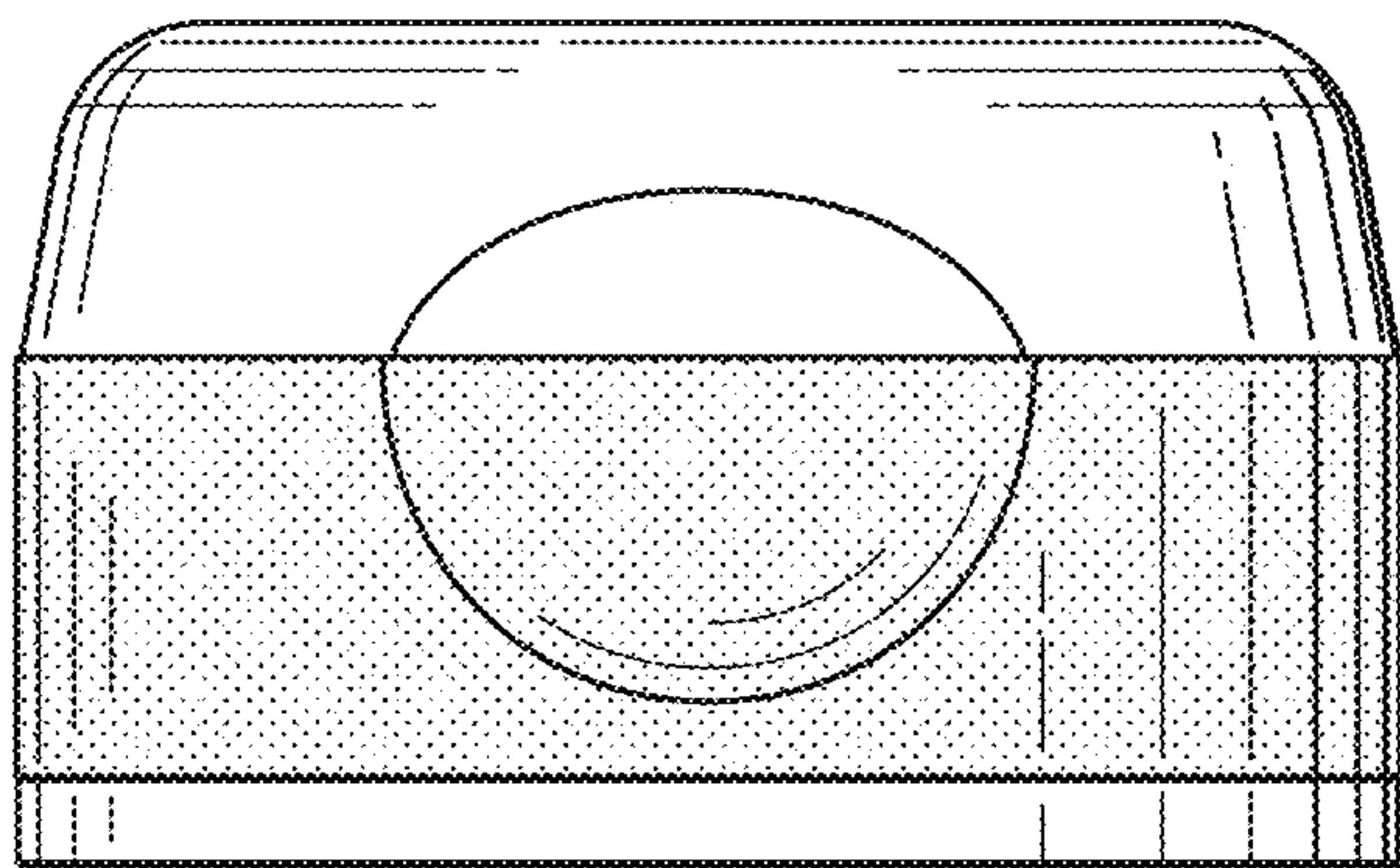


FIG. 2

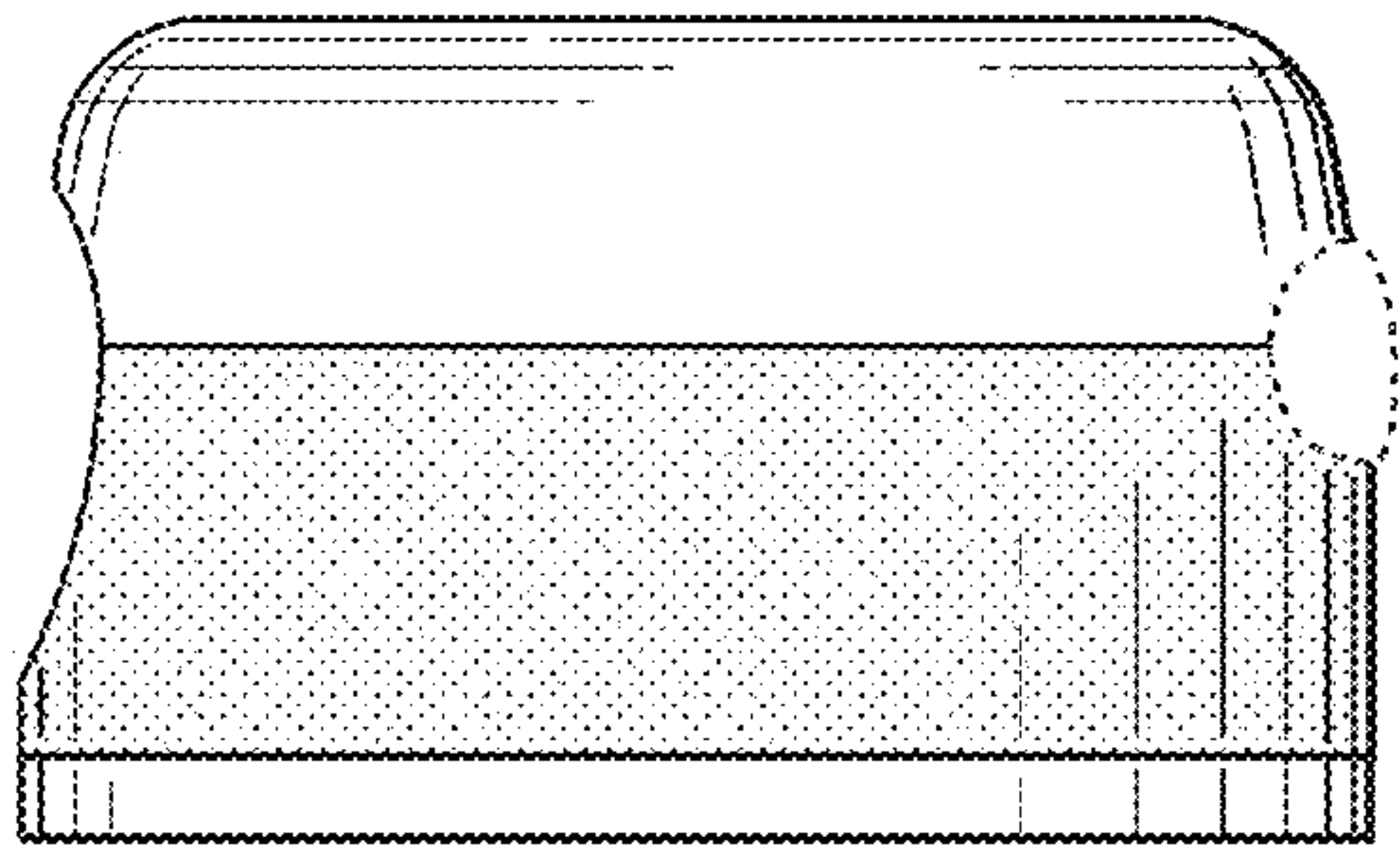


FIG. 3

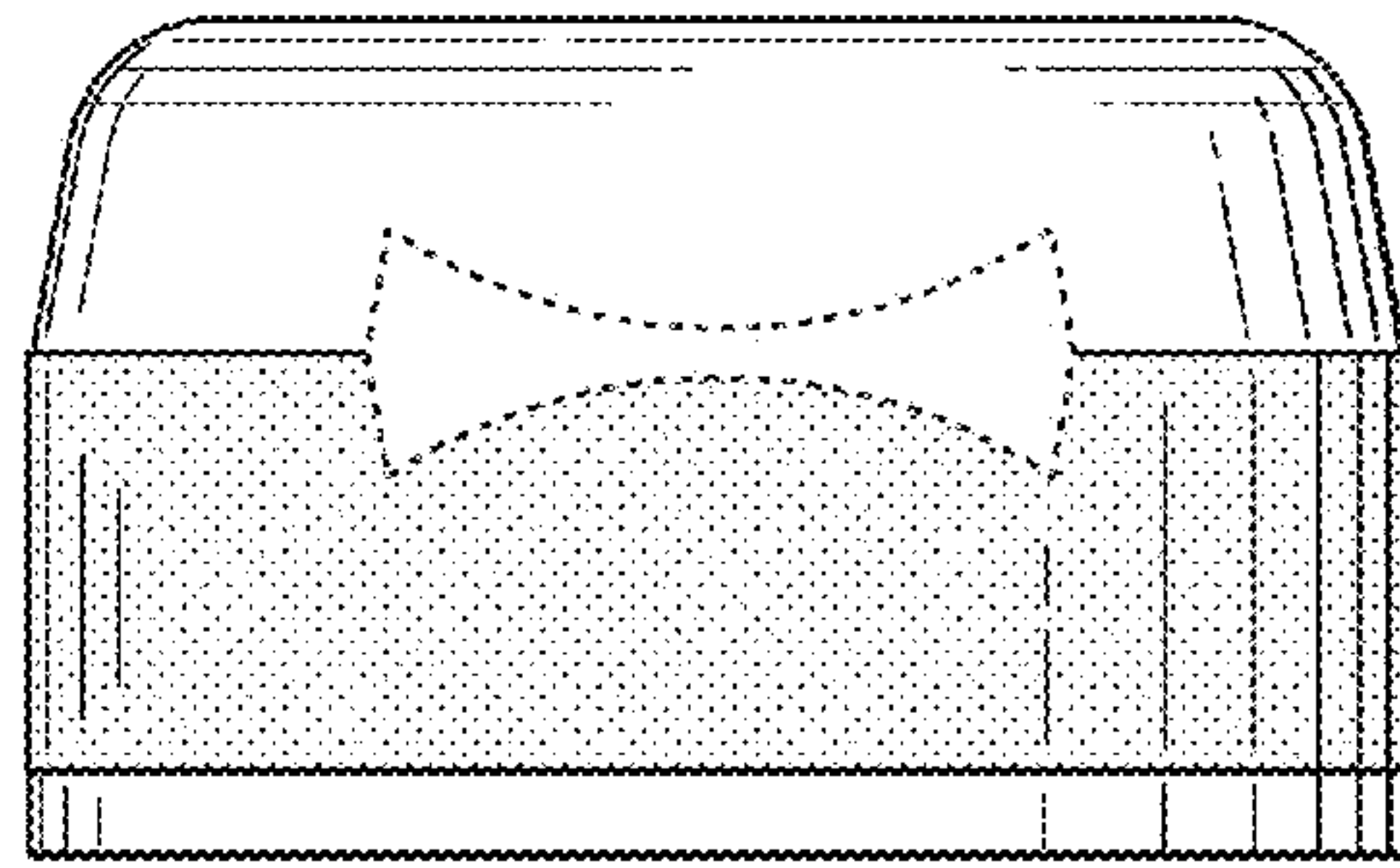


FIG. 4

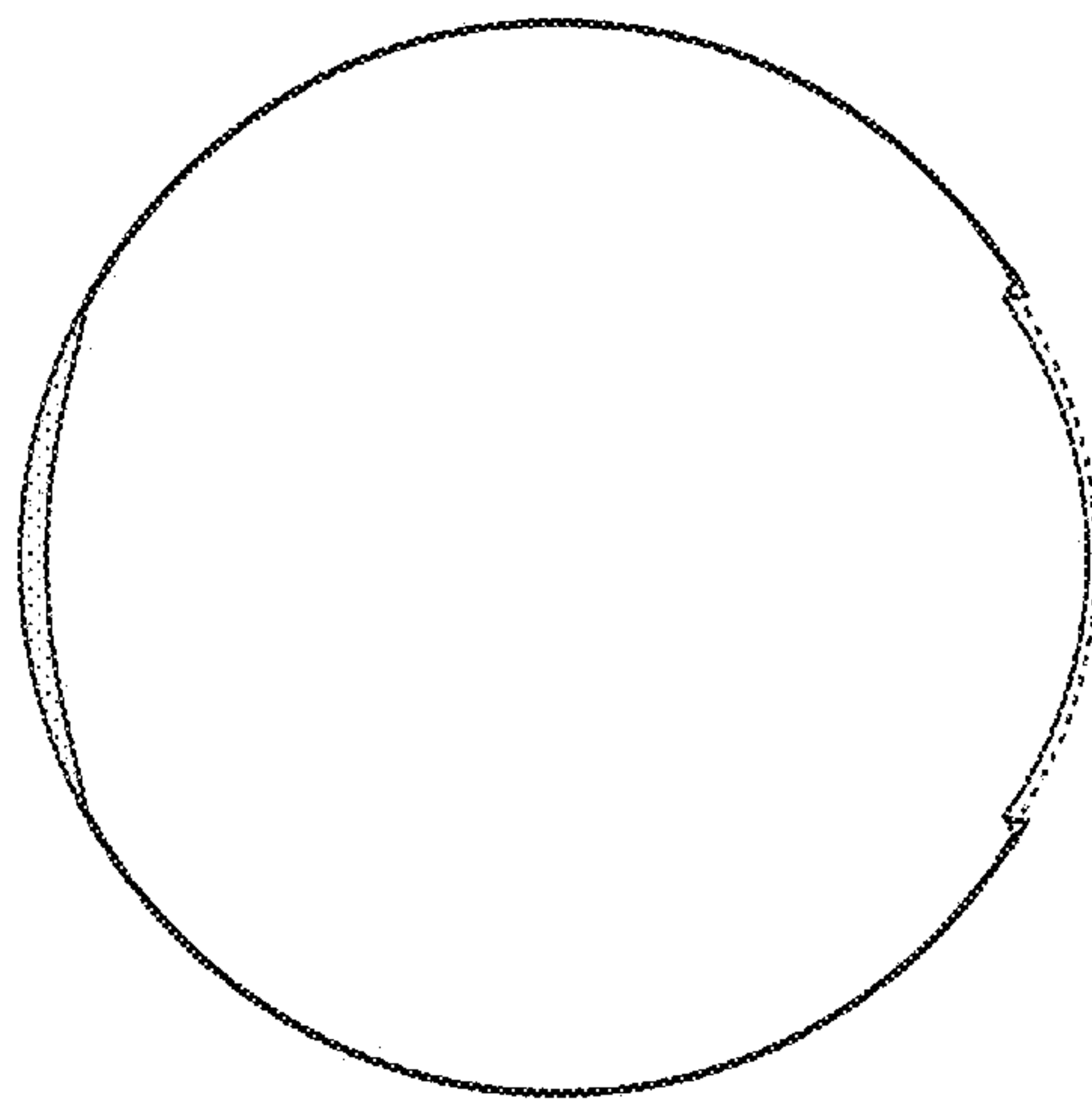


FIG. 5