



US00D743789S

(12) **United States Design Patent**  
**Wisniewski et al.**

(10) **Patent No.:** **US D743,789 S**

(45) **Date of Patent:** **\*\* Nov. 24, 2015**

(54) **TAPERED LID CLOSURE**

(71) Applicant: **AptarGroup, Inc.**, Crystal Lake, IL  
(US)

(72) Inventors: **John M. Wisniewski**, Waukesha, WI  
(US); **Katie Karabon**, Milwaukee, WI  
(US)

(73) Assignee: **AptarGroup, Inc.**, Crystal Lake, IL  
(US)

(\*\*) Term: **14 Years**

(21) Appl. No.: **29/485,481**

(22) Filed: **Mar. 19, 2014**

(51) **LOC (10) Cl.** ..... **09-07**

(52) **U.S. Cl.**  
USPC ..... **D9/447**

(58) **Field of Classification Search**  
USPC ..... D9/434, 435, 436, 440, 447, 449, 454,  
D9/499; D7/392.1, 396.2; 206/501;  
220/254, 254.5  
CPC ..... B65D 21/0228; B65D 45/025; B65D  
47/0895; B65D 51/04; B65D 47/08  
See application file for complete search history.

(56) **References Cited**

**U.S. PATENT DOCUMENTS**

D472,144 S \* 3/2003 Hierzer et al. .... D9/435  
6,631,820 B2 \* 10/2003 Harrold et al. .... 215/237

D547,652 S \* 7/2007 Kerman et al. .... D9/438  
D565,959 S \* 4/2008 Hadtke ..... D9/541  
D661,583 S \* 6/2012 Santarelli et al. .... D9/449  
D672,650 S \* 12/2012 Wisniewski et al. .... D9/449  
D673,044 S \* 12/2012 Wisniewski ..... D9/449  
D702,551 S \* 4/2014 Wisniewski et al. .... D9/449  
2012/0199610 A1 \* 8/2012 Cain ..... 222/212

\* cited by examiner

*Primary Examiner* — Robert M Spear

(74) *Attorney, Agent, or Firm* — Wood, Phillips, Katz, Clark  
& Mortimer

(57) **CLAIM**

The ornamental design for a tapered lid closure, as shown and described.

**DESCRIPTION**

FIG. 1 is an upper right front corner isometric view of a tapered lid closure, and FIG. 1 shows our new design; FIG. 2 is another isometric view thereof rotated about 180° from the view shown in FIG. 1; FIG. 3 is a top plan view thereof; FIG. 4 is a front elevational view thereof; FIG. 5 is a right side elevational view thereof, the left side elevational view thereof being a mirror image; and, FIG. 6 is a rear elevational view thereof. In the drawings, the broken lines depict environmental subject matter only and form no part of the claimed design.

**1 Claim, 2 Drawing Sheets**

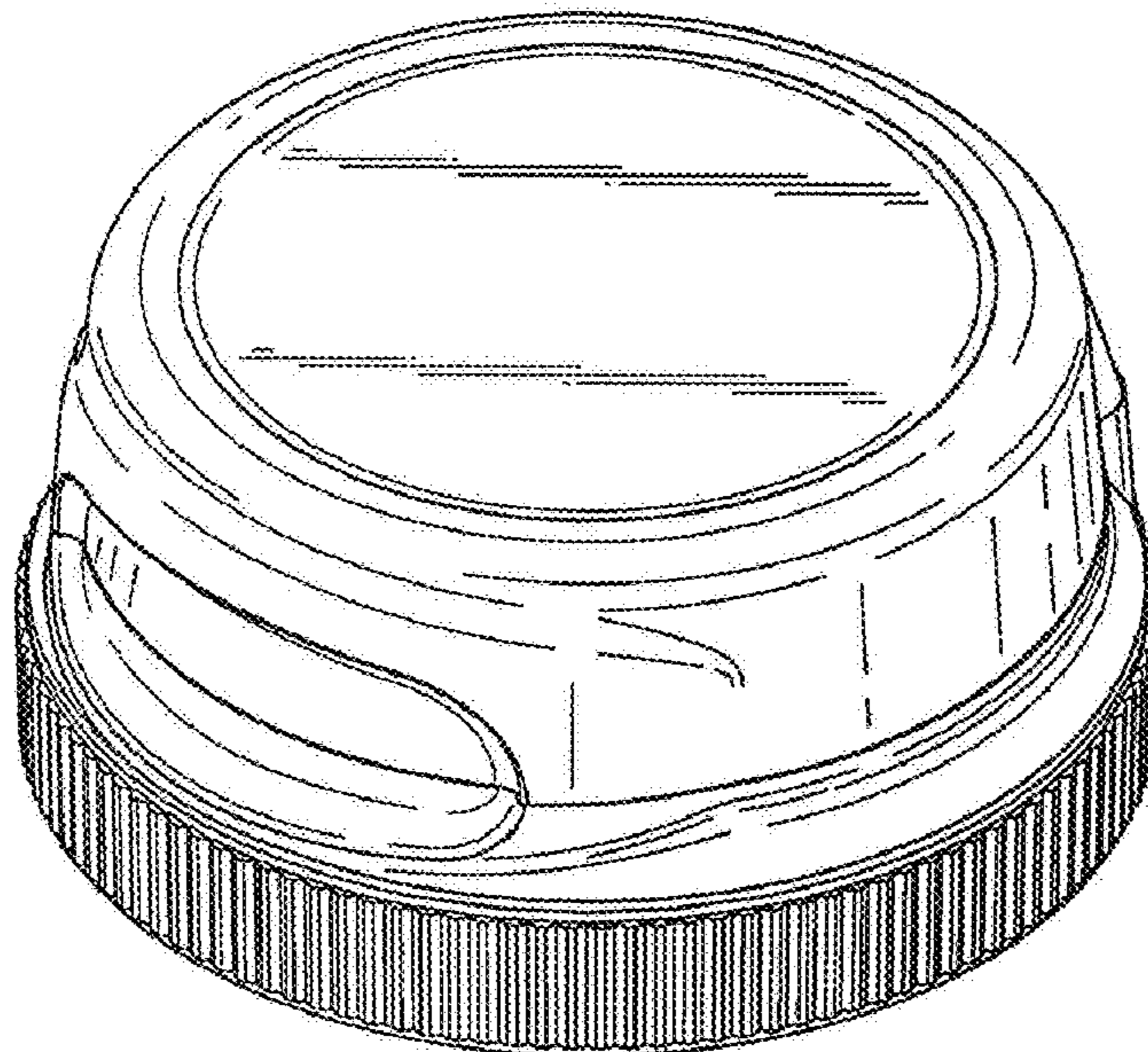


Fig. 1

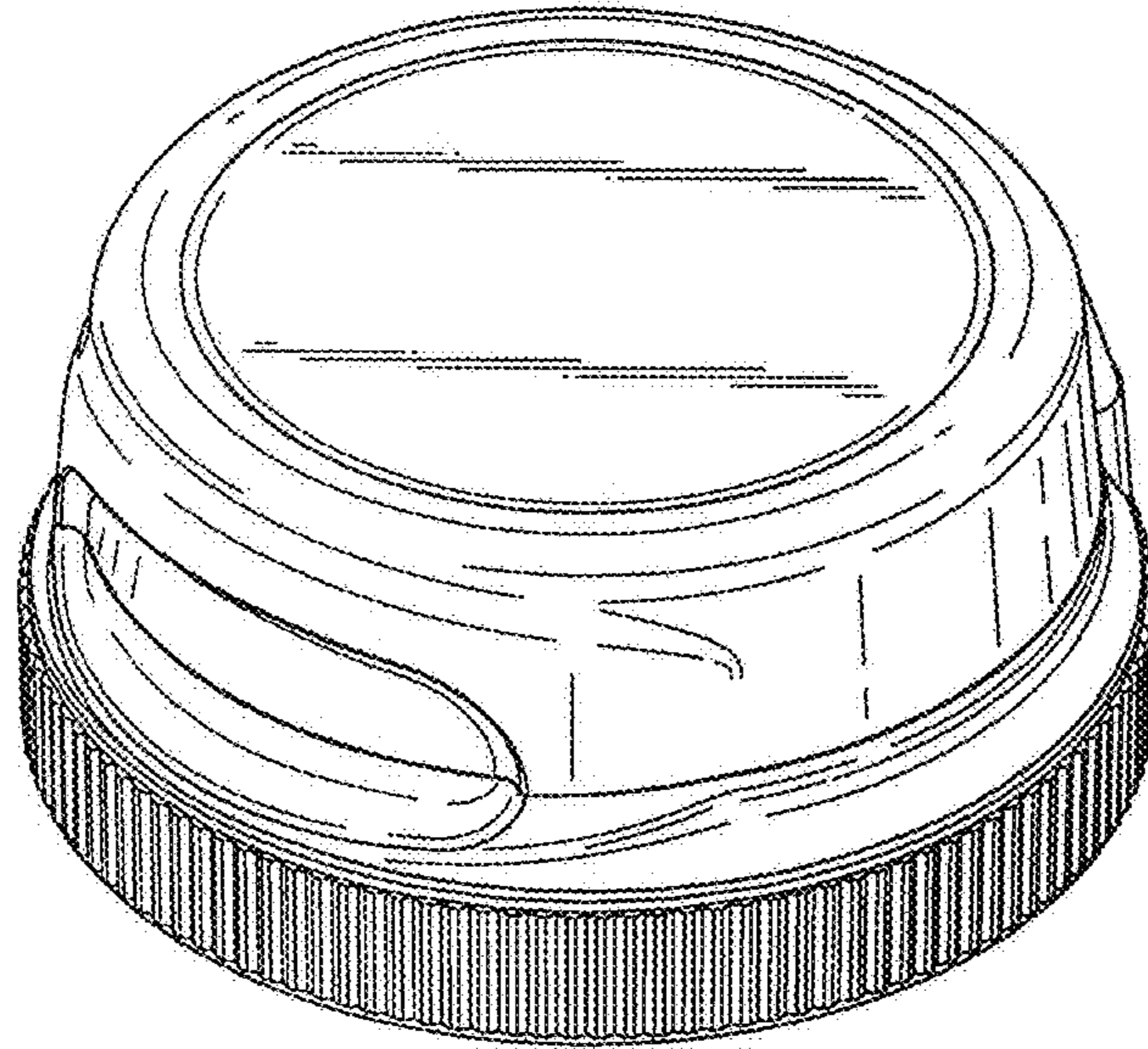


Fig. 2

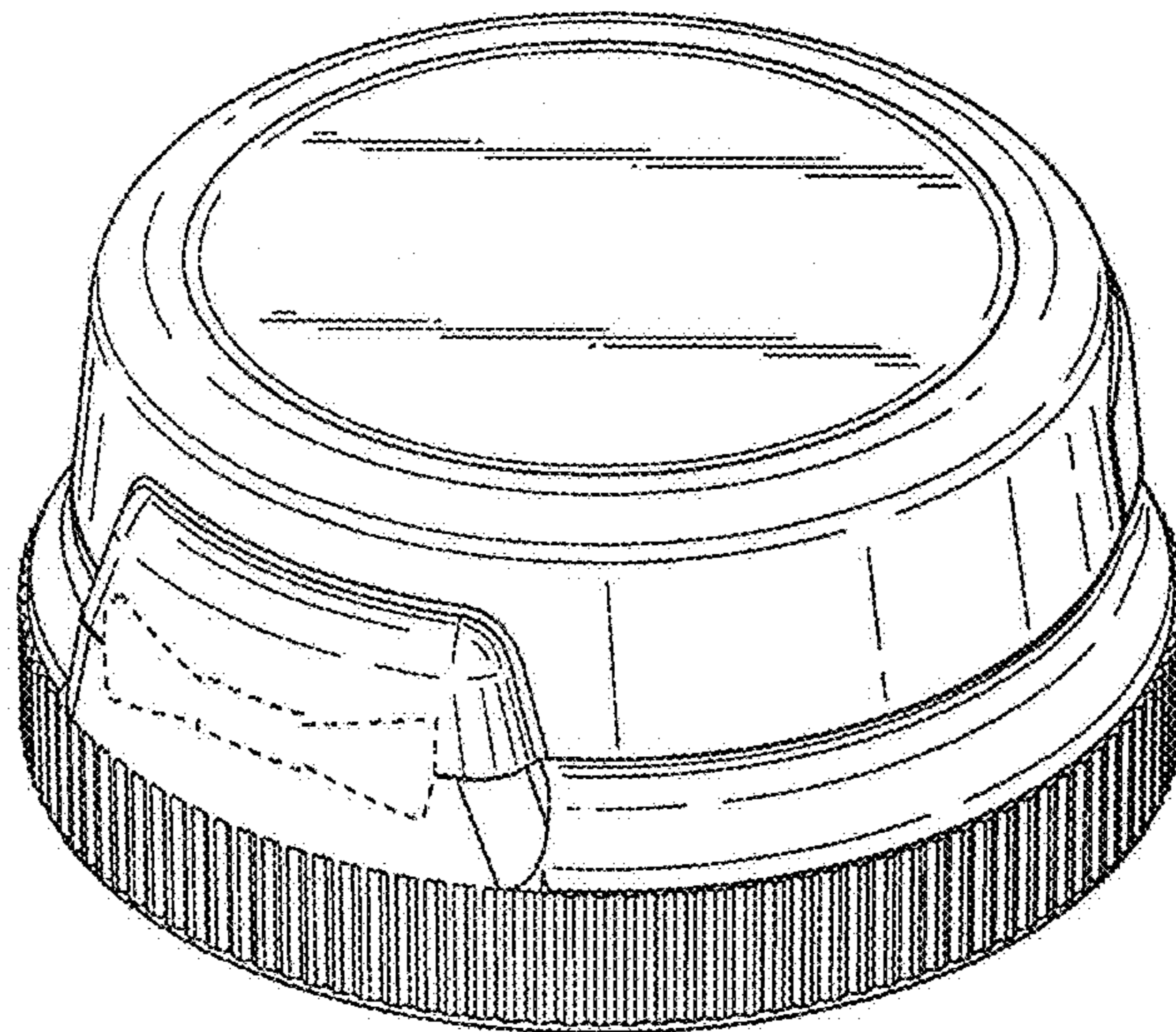




Fig. 3

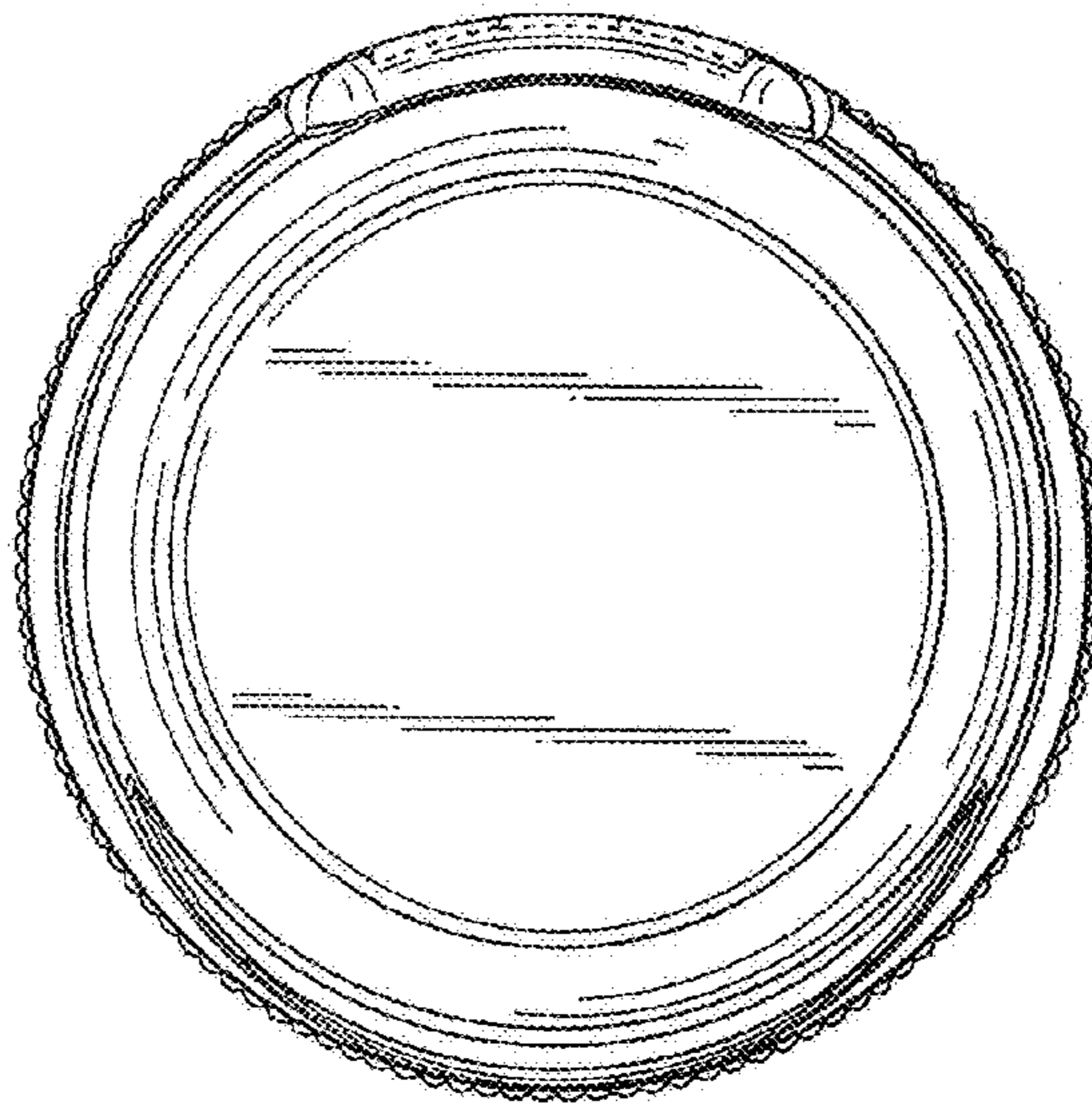


Fig. 4

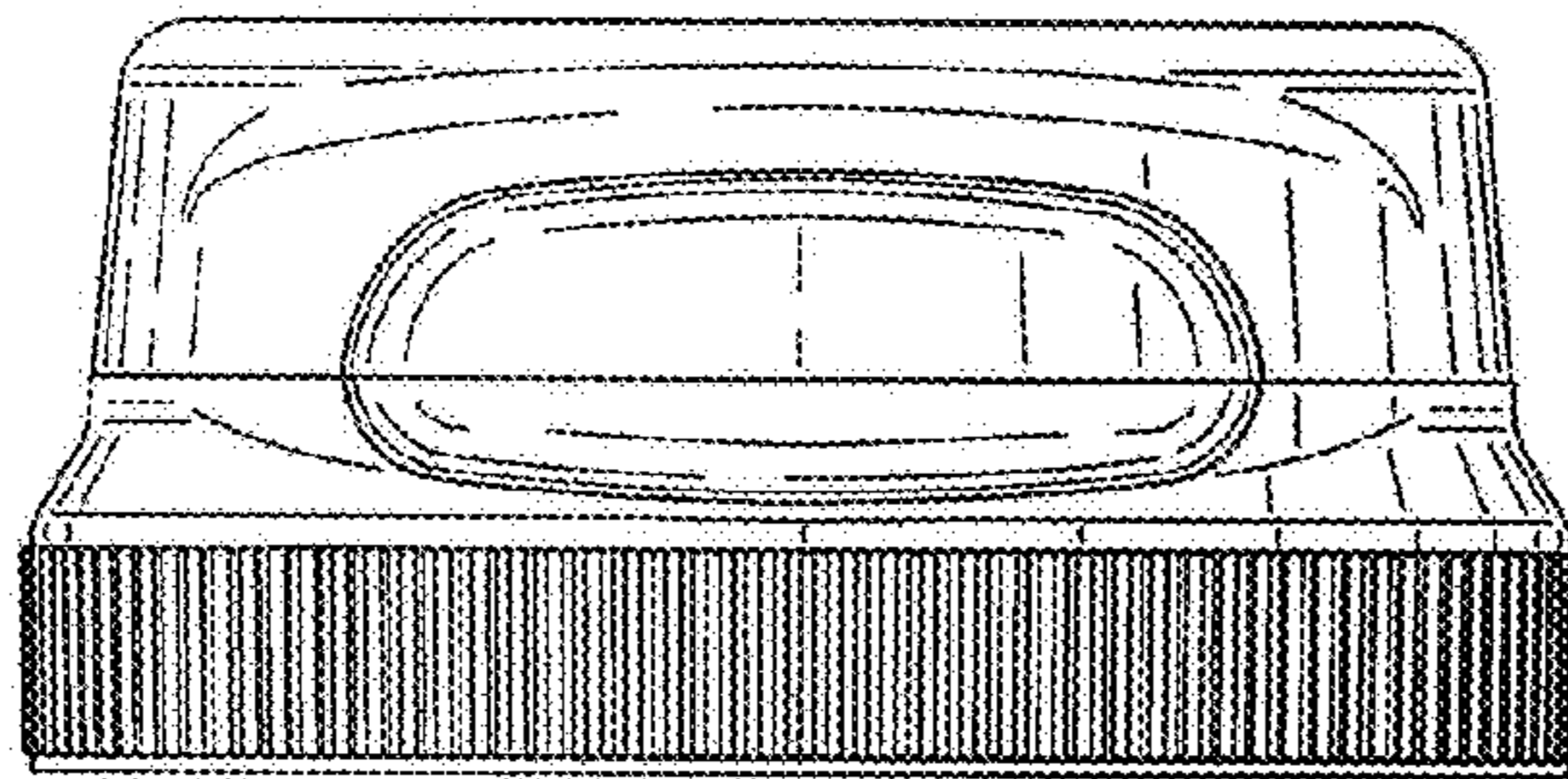


Fig. 5

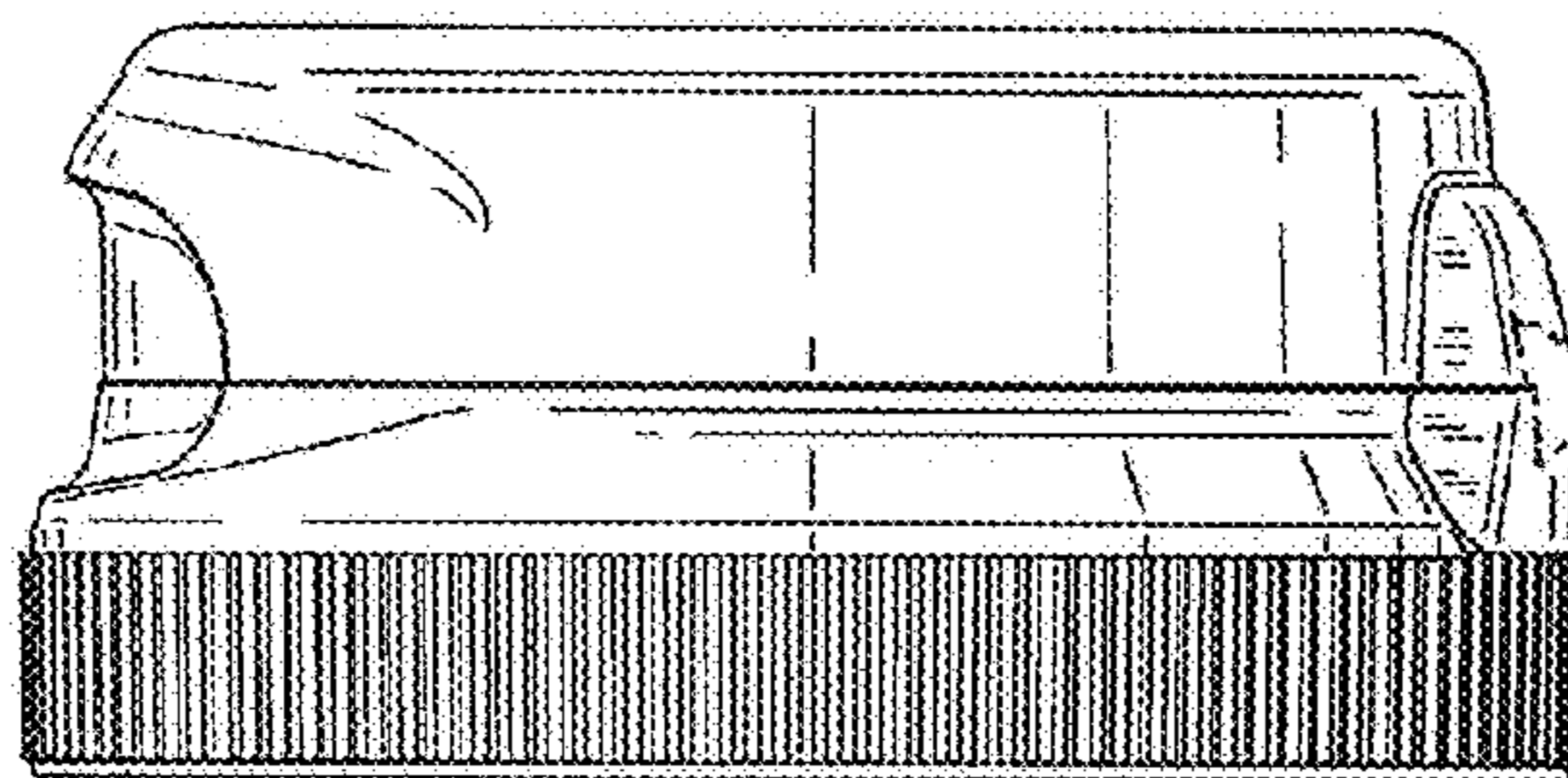


Fig. 6

