



US00D743785S

(12) **United States Design Patent**
Raphaelson et al.

(10) **Patent No.:** **US D743,785 S**

(45) **Date of Patent:** **** Nov. 24, 2015**

(54) **BEVERAGE CARTRIDGE**

(71) Applicant: **Keurig Green Mountain, Inc.**,
Waterbury, VT (US)

(72) Inventors: **Steven Raphaelson**, Watertown, MA
(US); **Michael Sack**, North Reading,
MA (US); **Enrico Raffaele Cafaro**,
Beverly, MA (US); **Ralph K. Maider,**
Jr., Milton, MA (US)

(73) Assignee: **Keurig Green Mountain, Inc.**,
Waterbury, VT (US)

(**) Term: **14 Years**

(21) Appl. No.: **29/506,802**

(22) Filed: **Oct. 20, 2014**

(51) **LOC (10) Cl.** **09-03**

(52) **U.S. Cl.**
USPC **D9/428**

(58) **Field of Classification Search**
USPC 220/564, 560.09, 568; D7/503, 513,
D7/527, 541, 542, 545, 566, 586, 587, 601,
D7/602, 612, 615, 619.1, 629, 630, 624.3,
D7/373; 206/223, 541, 423, 501, 502, 503,
206/505, 508, 561, 564; 99/646 C, DIG. 15;
D11/152, 153; D3/202, 203.3, 302,
D3/304; D9/414, 416, 417, 418, 419,
D9/420-438, 440, 447, 454, 499, 500, 502,
D9/503, 904
CPC B65D 85/8043; B65D 85/8046; B65D
2565/385; B65D 2575/583; B65D 25/08;
B65D 47/283; B65D 53/02; B65D 75/5883;
B65D 81/18; B65D 81/3227; B65D 81/3277;
B65D 85/70; B65D 2081/001; B65D 81/3238

See application file for complete search history.

(56) **References Cited**

U.S. PATENT DOCUMENTS

D288,057	S	*	2/1987	Webster	D7/400
D513,152	S	*	12/2005	Cahen	D7/400
D519,831	S	*	5/2006	de Cleir et al.	D9/428
D539,643	S	*	4/2007	Abel	D9/424
D587,995	S	*	3/2009	Studee	D9/424
D600,975	S	*	9/2009	Lin	D7/397
D605,502	S	*	12/2009	Honda et al.	D9/429
D628,883	S	*	12/2010	Stephens	D9/429
D642,068	S	*	7/2011	Milewski et al.	D9/696
D644,924	S	*	9/2011	Lin	D9/429
D682,675	S	*	5/2013	Rapparini	D9/429
D689,768	S	*	9/2013	Inderbitzin	D9/429
D697,797	S	*	1/2014	Hansen	D9/429
D703,035	S	*	4/2014	Zanetti	D9/416
D703,039	S	*	4/2014	Hansen	D9/429
D708,057	S	*	7/2014	Hansen	D9/429
D716,648	S	*	11/2014	Tan	D9/416
8,956,672	B2	*	2/2015	Yoakim et al.	426/77
D727,141	S	*	4/2015	Mastropasqua et al.	D9/416

(Continued)

Primary Examiner — Philip S Hyder

Assistant Examiner — Keith Frank

(74) *Attorney, Agent, or Firm* — Wolf, Greenfield & Sacks,
P.C.

(57) **CLAIM**

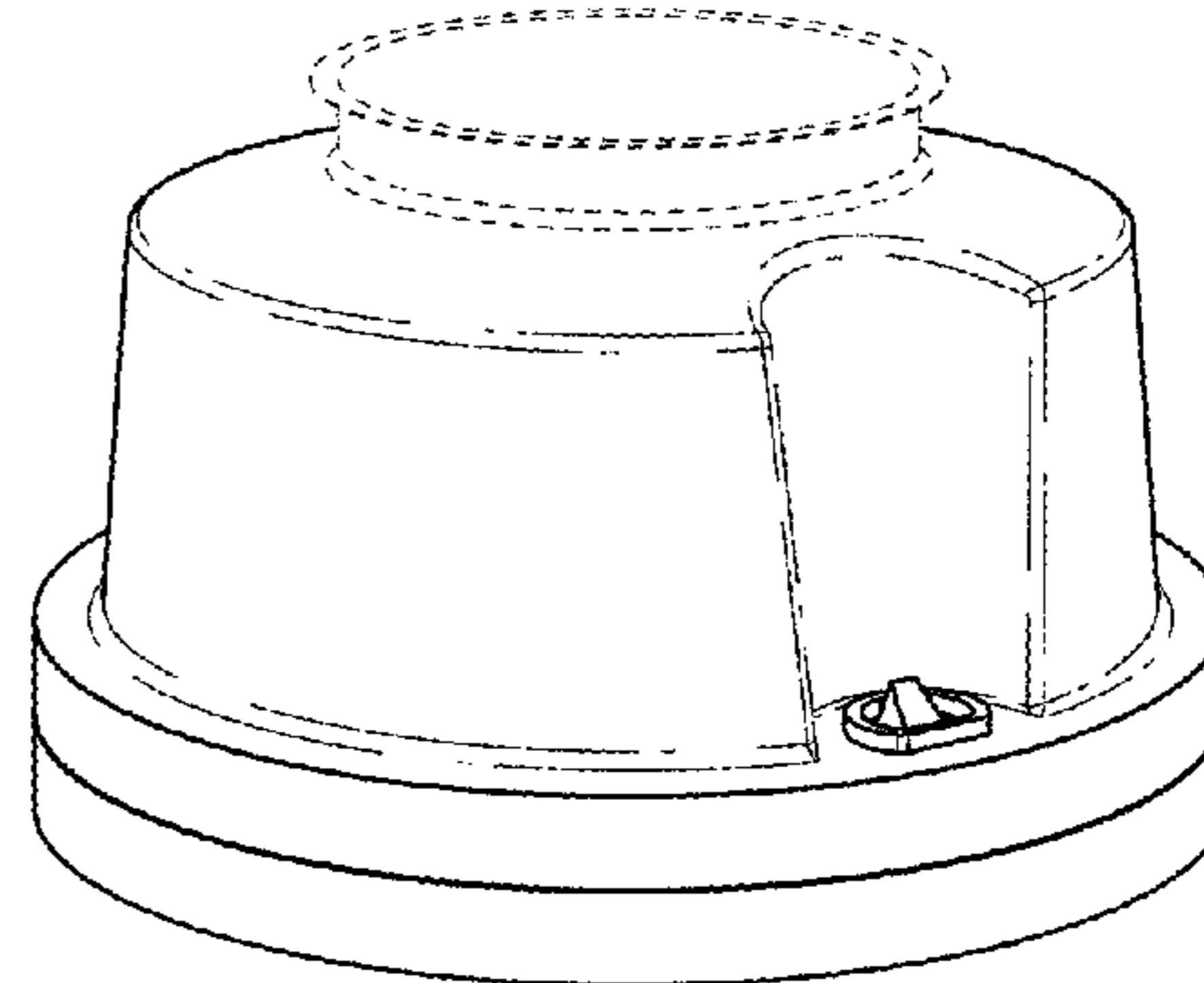
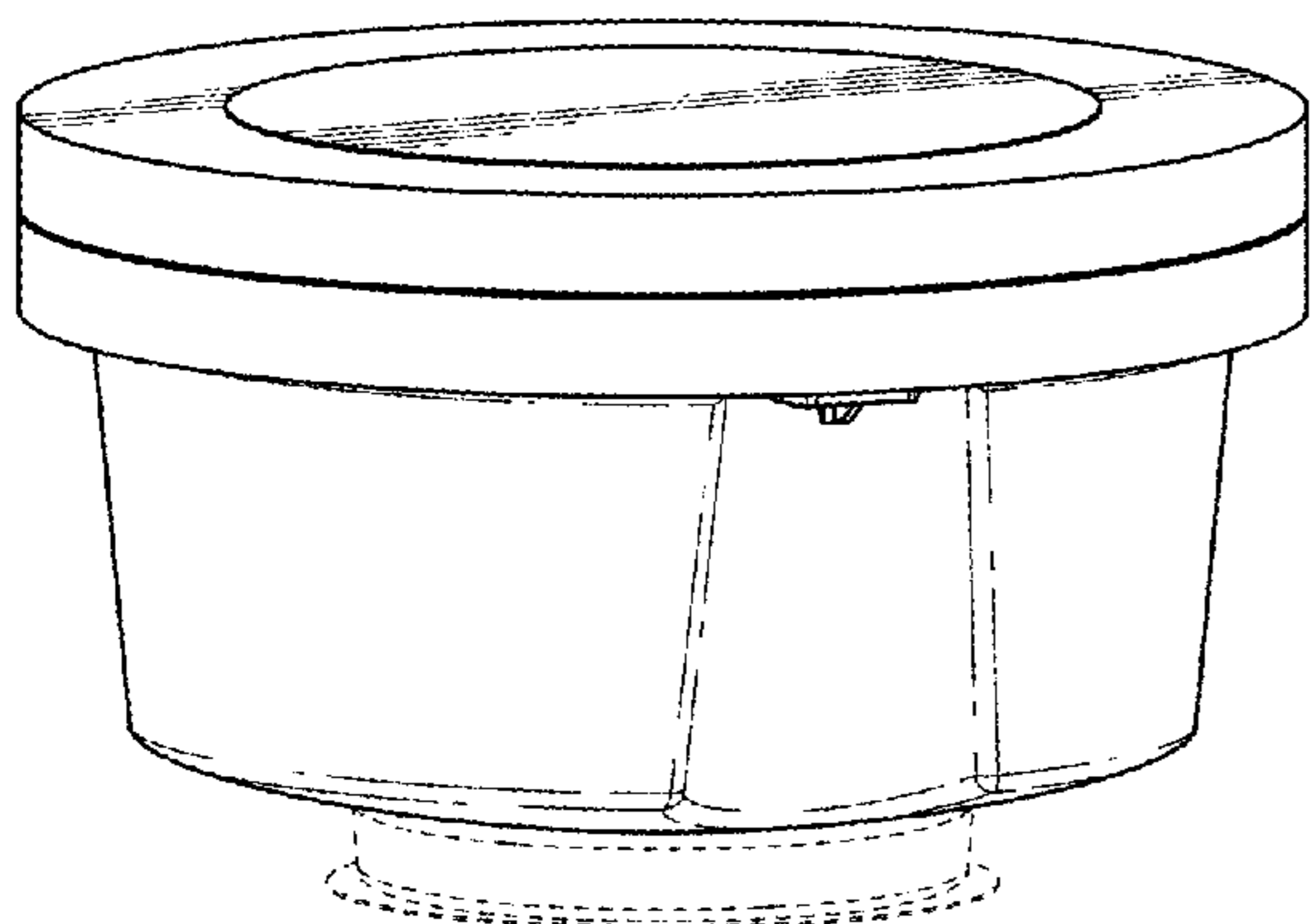
The ornamental design for a beverage cartridge, as shown and described.

DESCRIPTION

FIG. 1 is a top, front, left perspective view of a beverage cartridge showing our new design;
FIG. 2 is a bottom, front, right perspective view thereof;
FIG. 3 is a front elevational view thereof;
FIG. 4 is a rear elevational view thereof;
FIG. 5 is a left side elevational view thereof;
FIG. 6 is a right side elevational view thereof;
FIG. 7 is a top plan view thereof; and,
FIG. 8 is a bottom plan view thereof.

The broken lines in the drawings depict unclaimed subject matter only and form no part of the claimed design.

1 Claim, 4 Drawing Sheets



US D743,785 S

Page 2

(56)

References Cited

U.S. PATENT DOCUMENTS

2014/0087028	A1*	3/2014	Orsi	426/77	
2015/0017290	A1*	1/2015	Rondelli	426/115	
2015/0037470	A1*	2/2015	Zweed et al.	426/115	
2002/0020659	A1*	2/2002	Sweeney et al.	210/416.3	
2011/0111098	A1*	5/2011	Ricotti	426/89	* cited by examiner

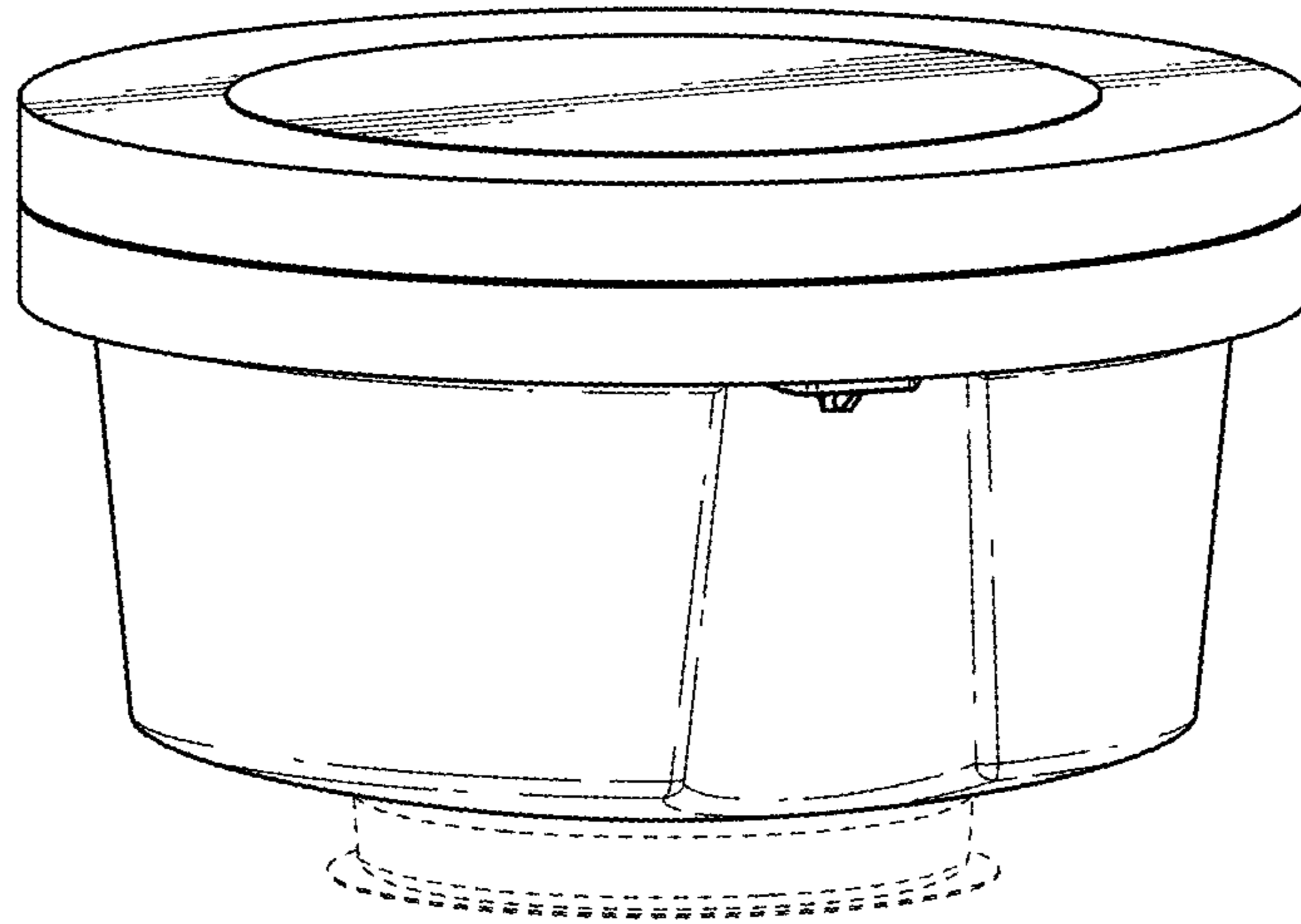


FIG. 1

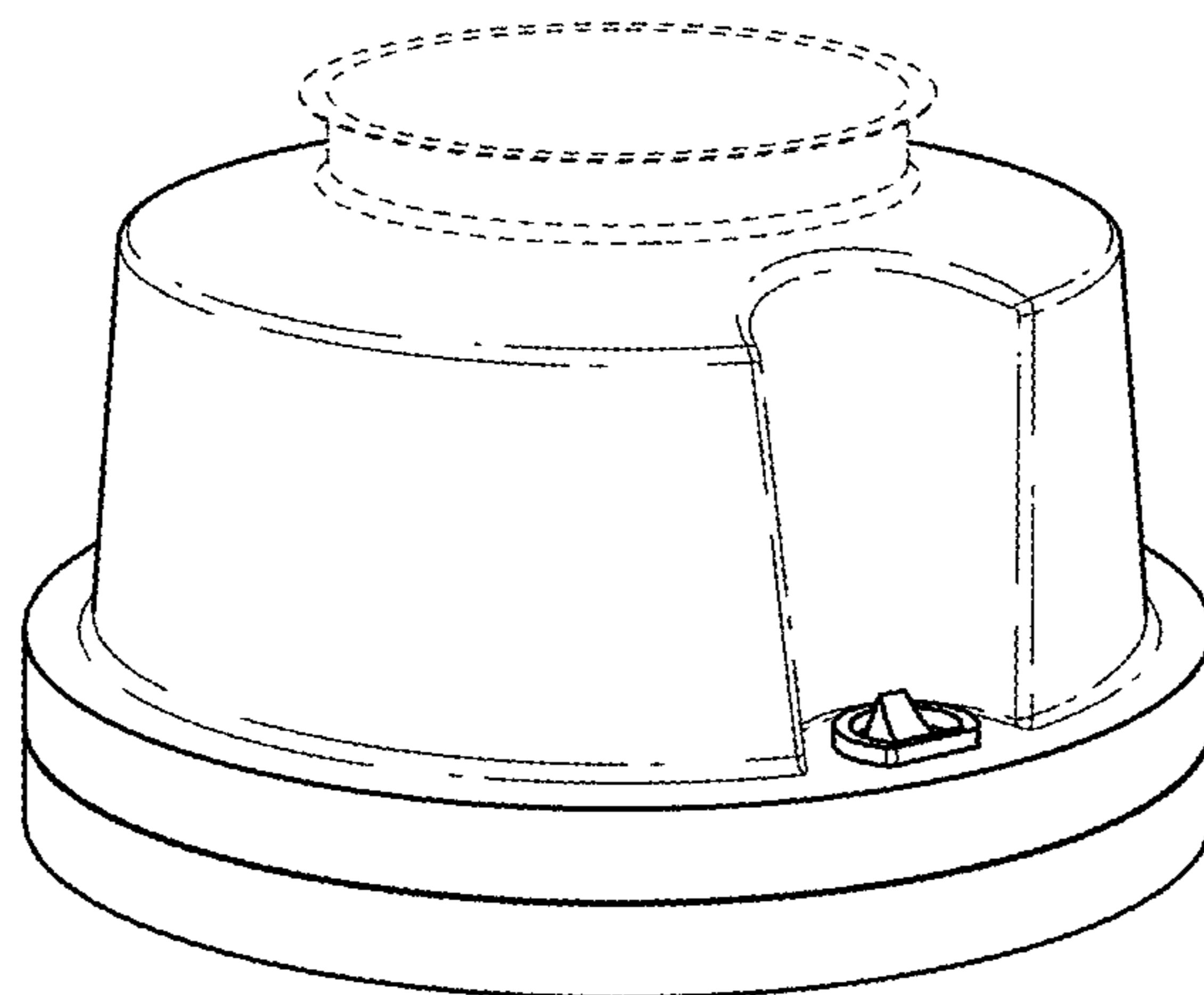


FIG. 2

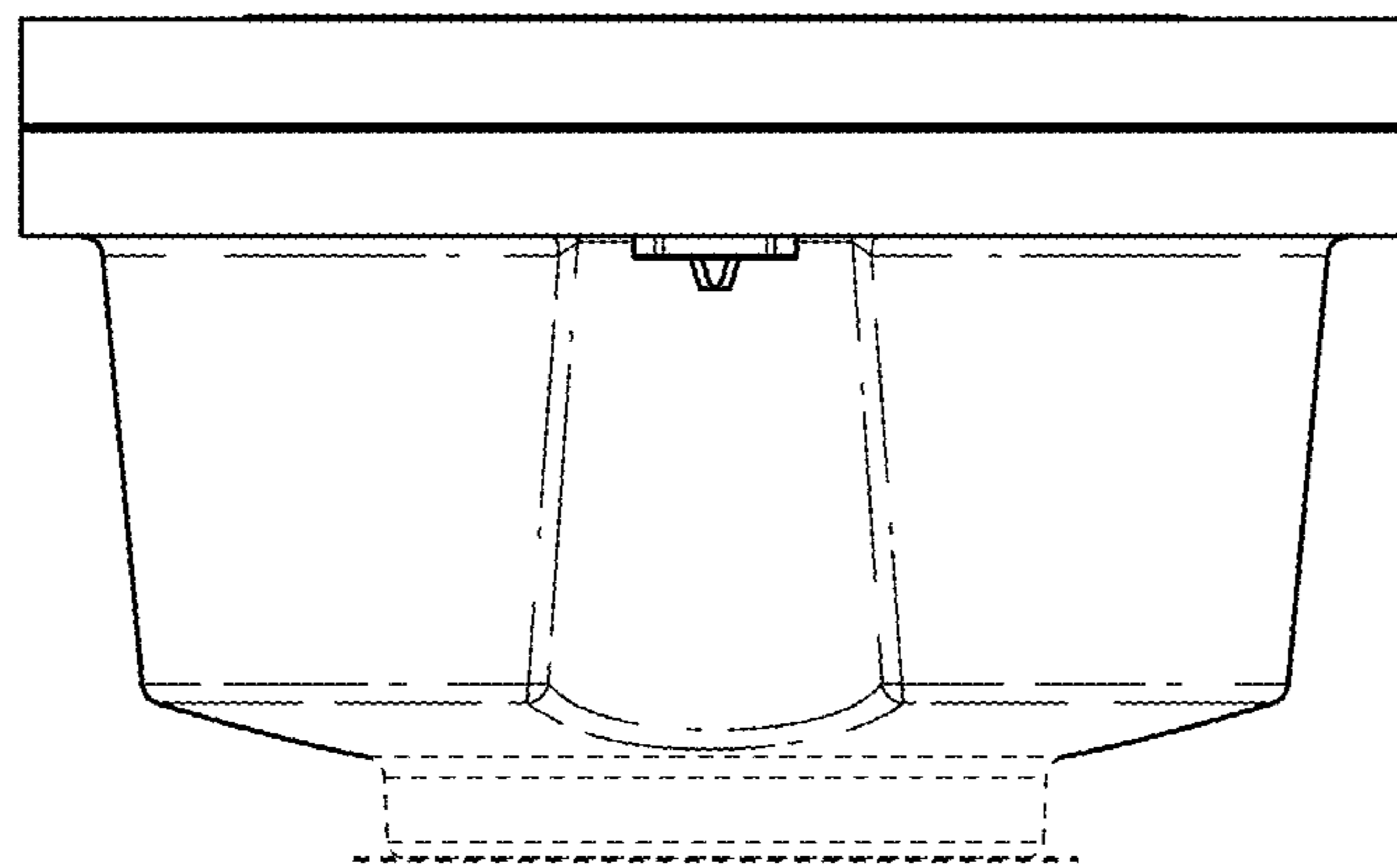


FIG. 3

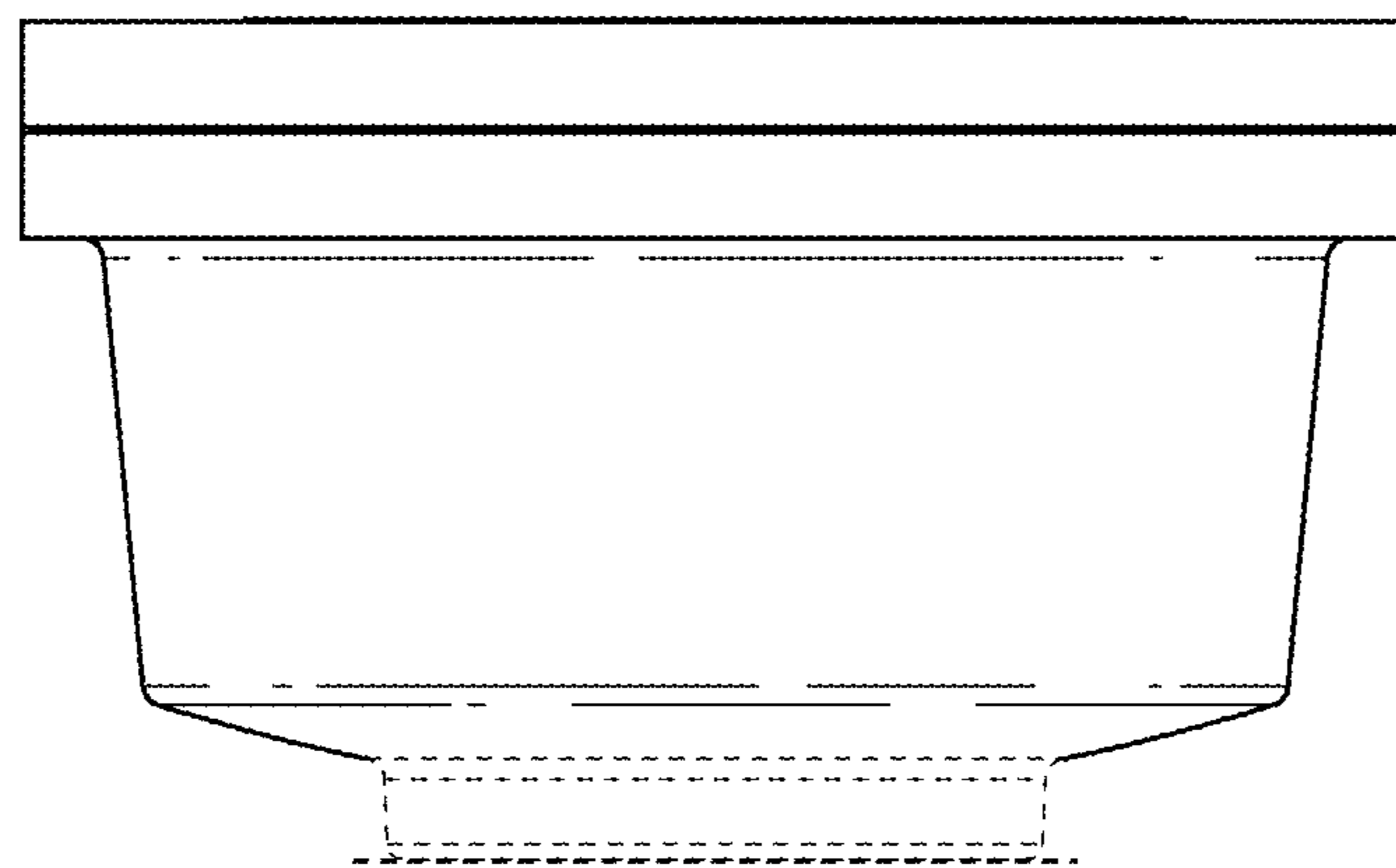


FIG. 4

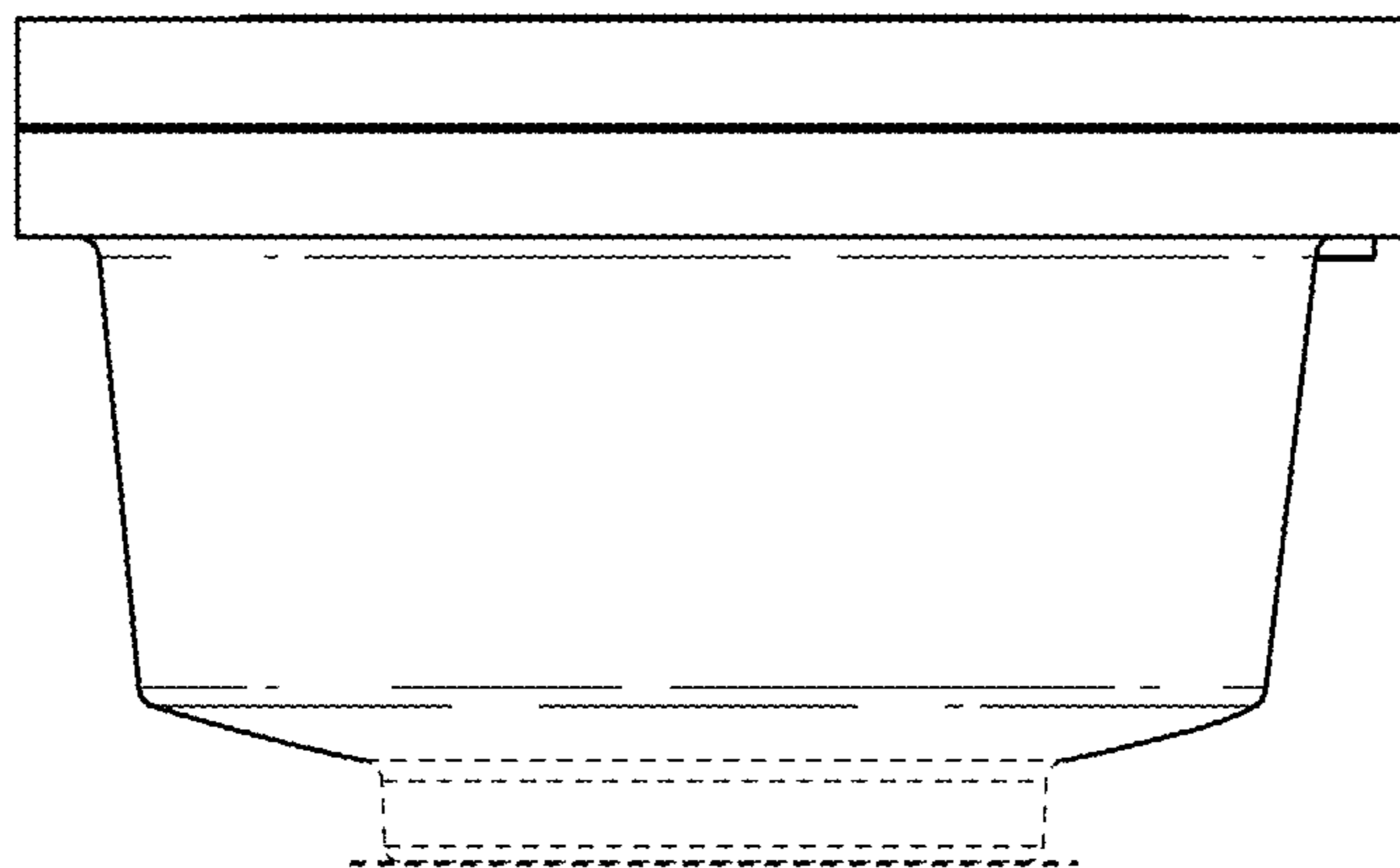


FIG. 5

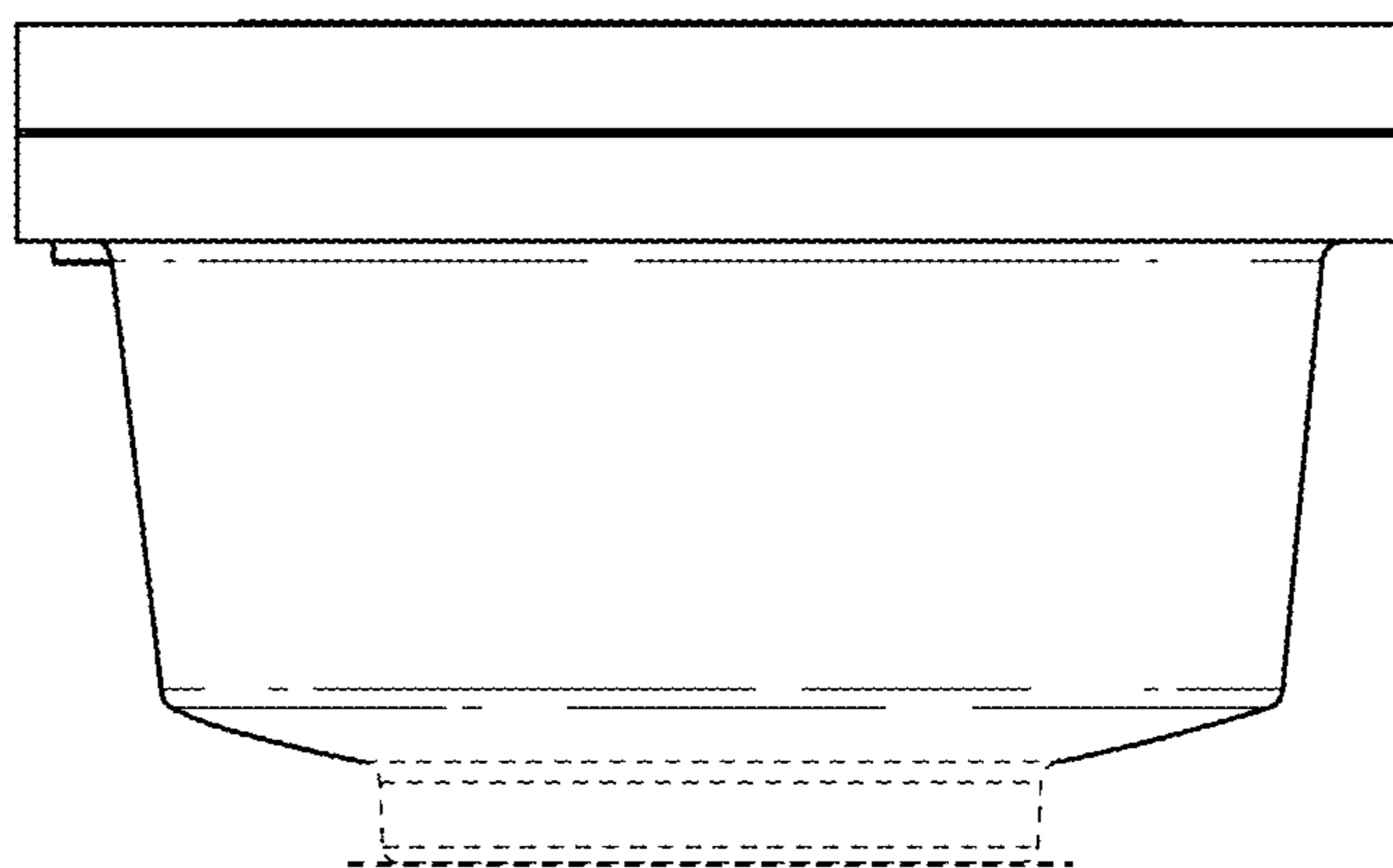


FIG. 6

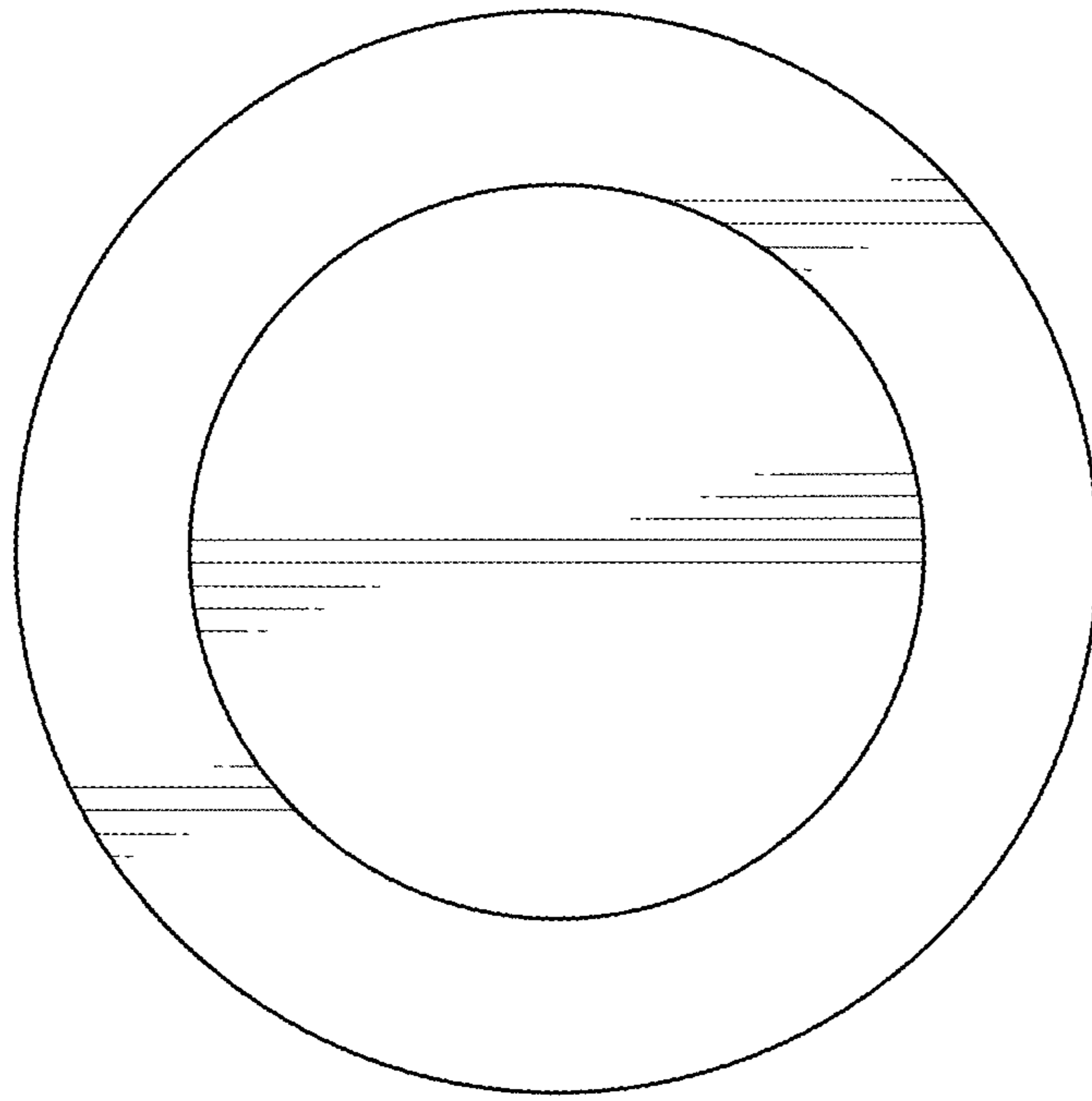


FIG. 7

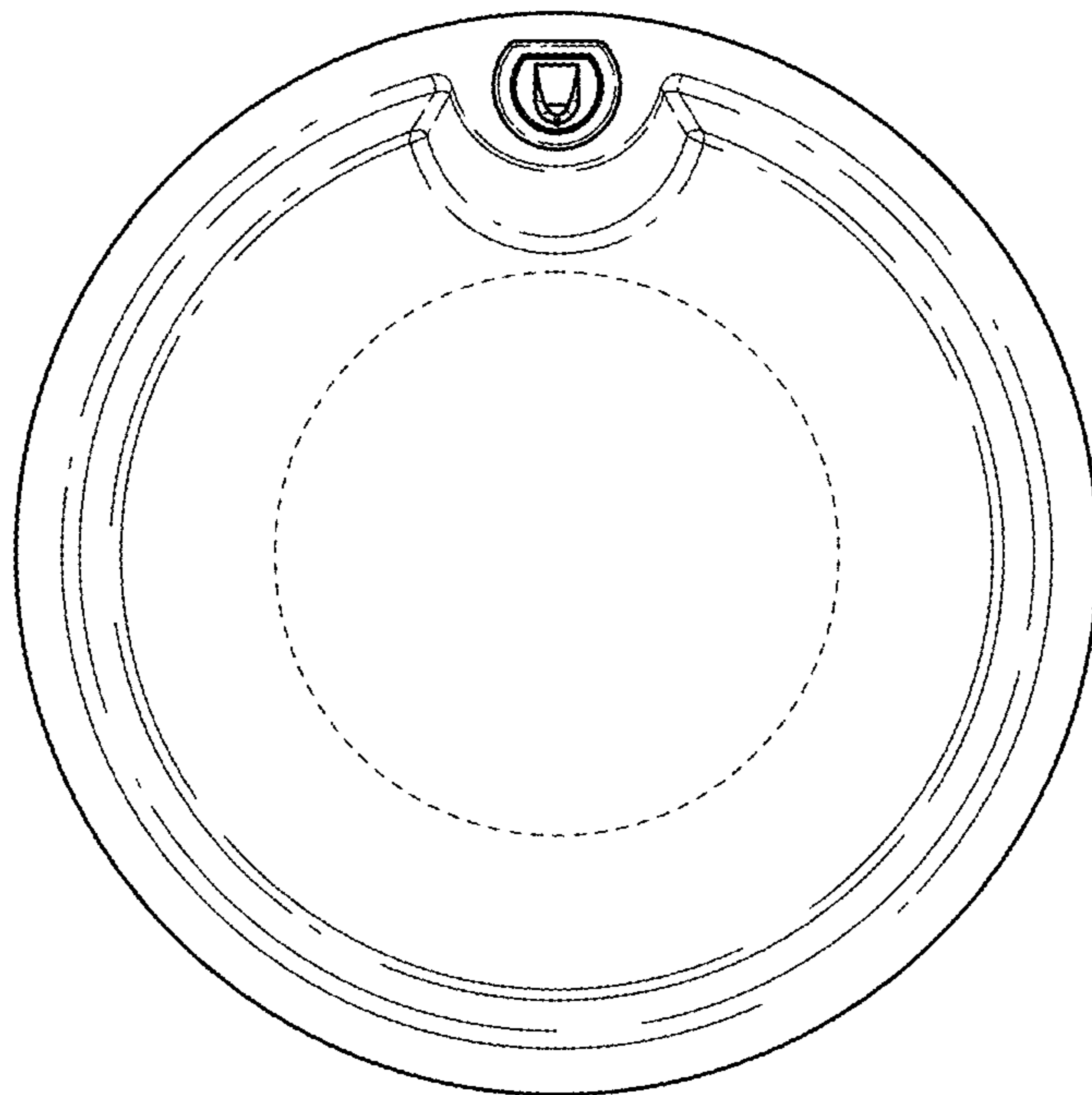


FIG. 8