



US00D743782S

(12) **United States Design Patent**  
**Rabon**

(10) **Patent No.:** **US D743,782 S**

(45) **Date of Patent:** **\*\* Nov. 24, 2015**

(54) **SPA COVER LOCK**

(71) Applicant: **Walter Eugene Rabon**, Westminster,  
CO (US)

(72) Inventor: **Walter Eugene Rabon**, Westminster,  
CO (US)

(\*\*) Term: **14 Years**

(21) Appl. No.: **29/483,132**

(22) Filed: **Feb. 25, 2014**

(51) **LOC (10) Cl.** ..... **08-07**

(52) **U.S. Cl.**  
USPC ..... **D9/330**

(58) **Field of Classification Search**  
USPC ..... D8/330, 331, 336, 339, 343, 349, 350,  
D8/400, 499; 70/57.1, 58, 63, 158, 431,  
70/466; 24/614, 712, 712.1, 454, 604;  
292/91, 117, 110, 116, 119, DIG. 53,  
292/DIG. 5

See application file for complete search history.

(56) **References Cited**

**U.S. PATENT DOCUMENTS**

4,953,269 A \* 9/1990 Ragsdale ..... 24/704.1  
5,048,131 A \* 9/1991 Stephen ..... 4/559

5,067,213 A \* 11/1991 Ragsdale et al. .... 24/704.1  
5,676,258 A \* 10/1997 Leyden et al. .... 211/7  
D443,716 S \* 6/2001 Vong et al. .... D26/93  
6,687,964 B2 \* 2/2004 Vanderpool ..... 24/614  
7,523,969 B2 \* 4/2009 Thornton et al. .... 292/172  
D638,696 S \* 5/2011 Kubota ..... D8/394

\* cited by examiner

*Primary Examiner* — Prabhakar Deshmukh

(74) *Attorney, Agent, or Firm* — QuickPatents; Kevin Prince

(57) **CLAIM**

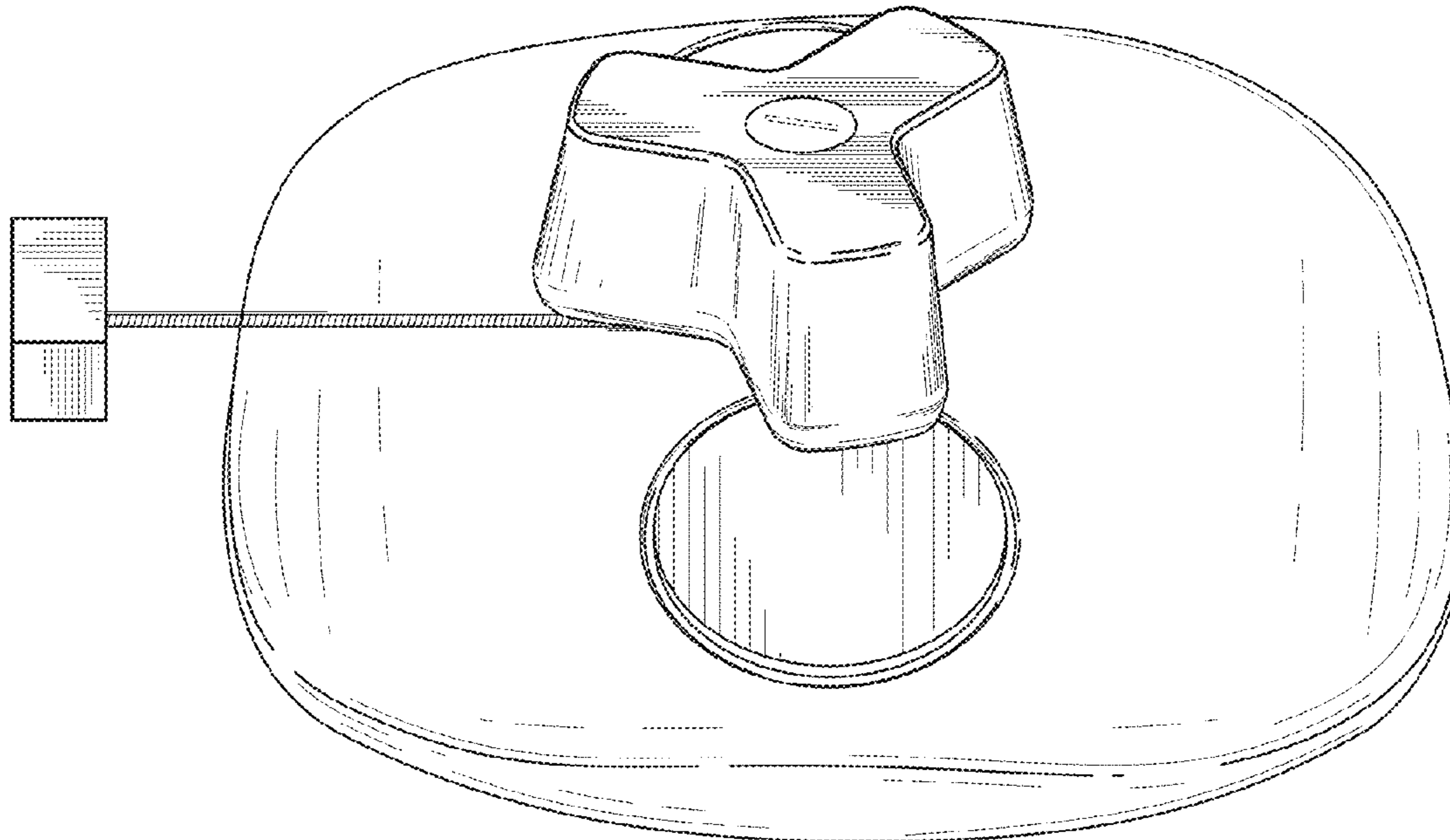
I claim the ornamental design for a spa cover lock, as shown and described.

**DESCRIPTION**

FIG. 1 is an exploded perspective view of a spa cover lock, showing my new design;  
FIG. 2 is a perspective view thereof;  
FIG. 3 is a top plan view thereof;  
FIG. 4 is a bottom plan view thereof;  
FIG. 5 is a left-side elevational view thereof, the right-side elevational view being a mirror image thereof;  
FIG. 6 is a front elevational view thereof; and,  
FIG. 7 is a rear elevational view thereof.

The broken lines showing a spa cover, spa and key in FIG. 1 and rear elements of the design in FIG. 7 depict environmental matter and form no part of the claimed design.

**1 Claim, 5 Drawing Sheets**



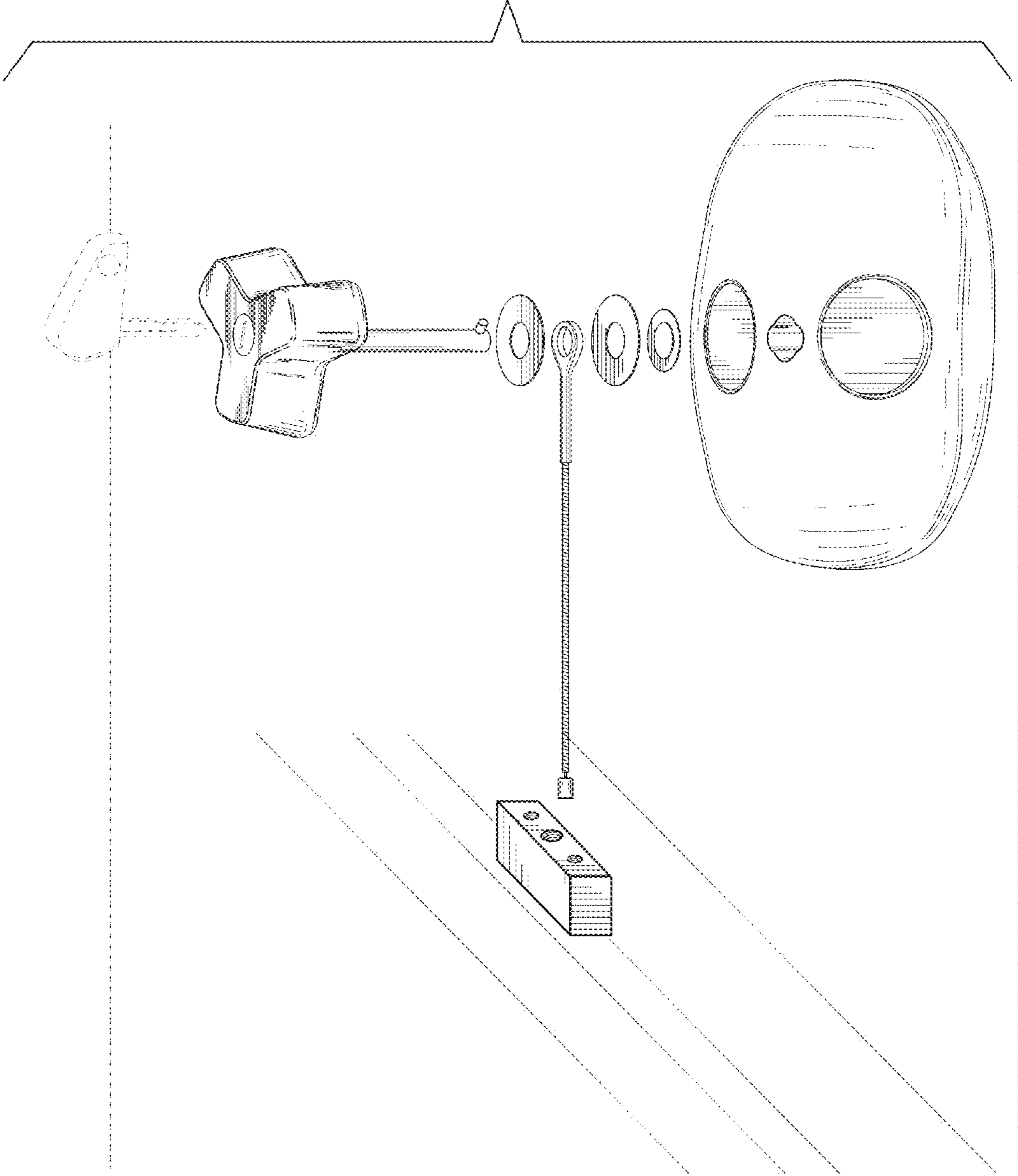


FIG. 1

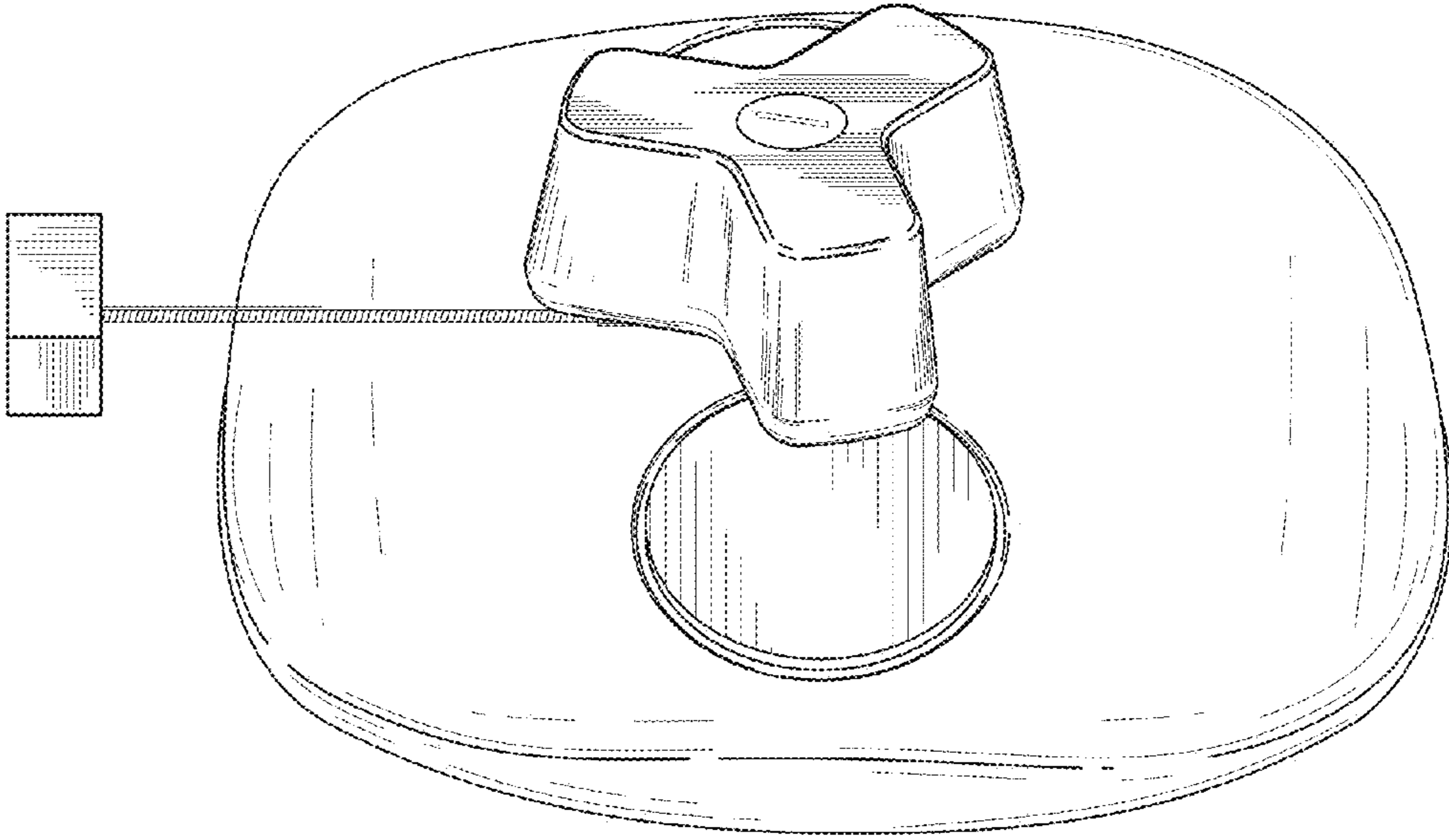


FIG. 2

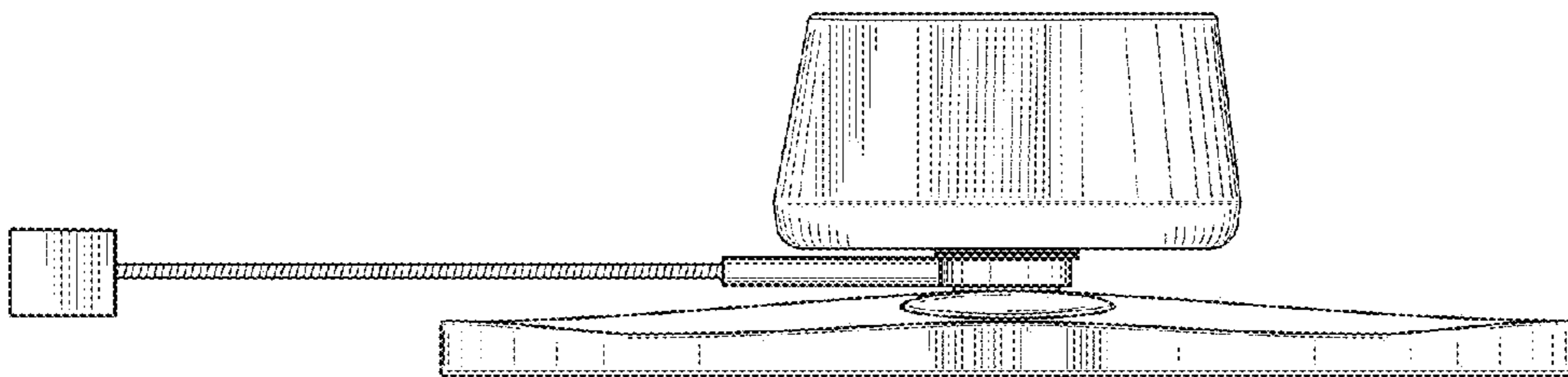


FIG. 5

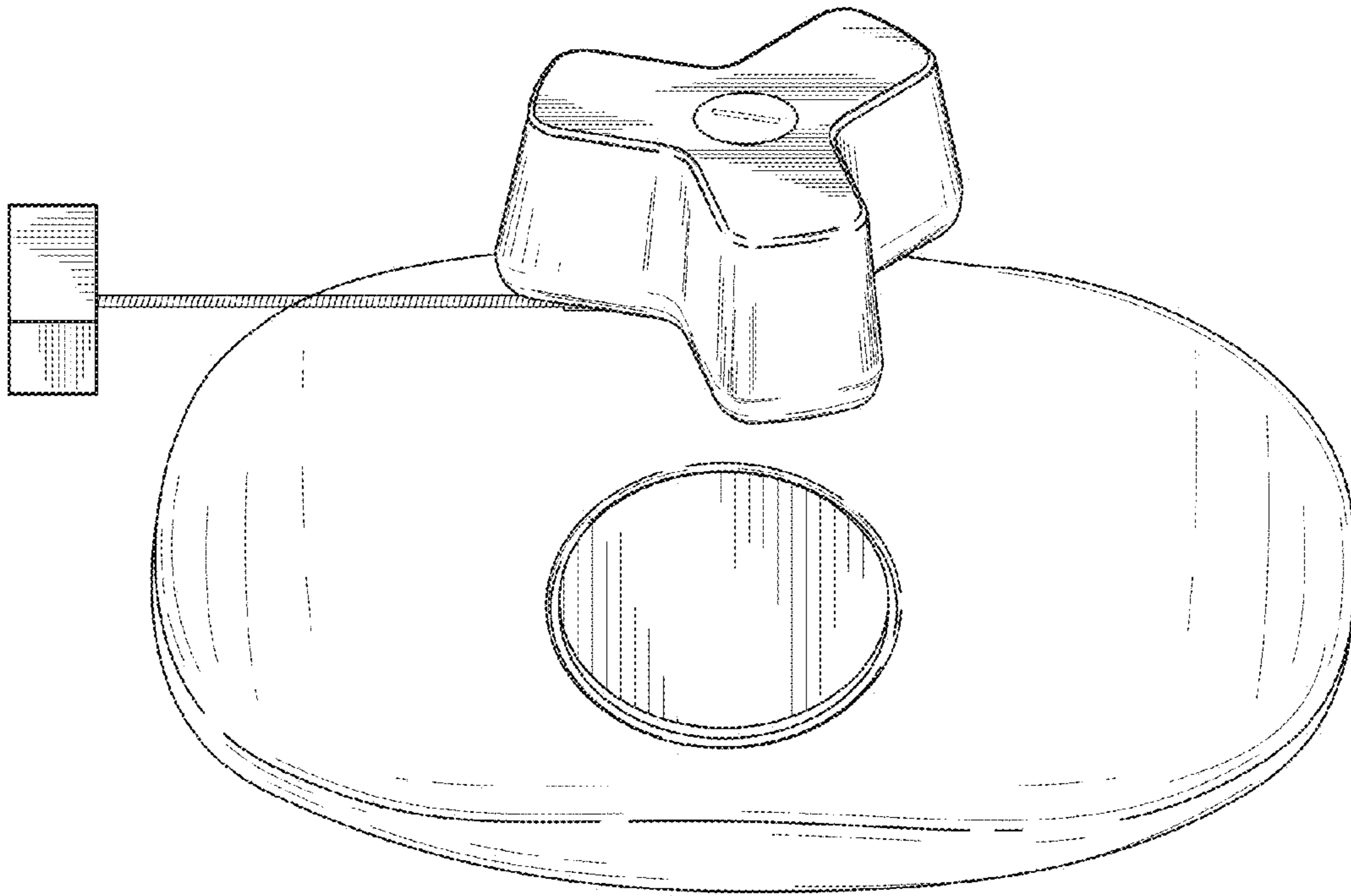


FIG. 2

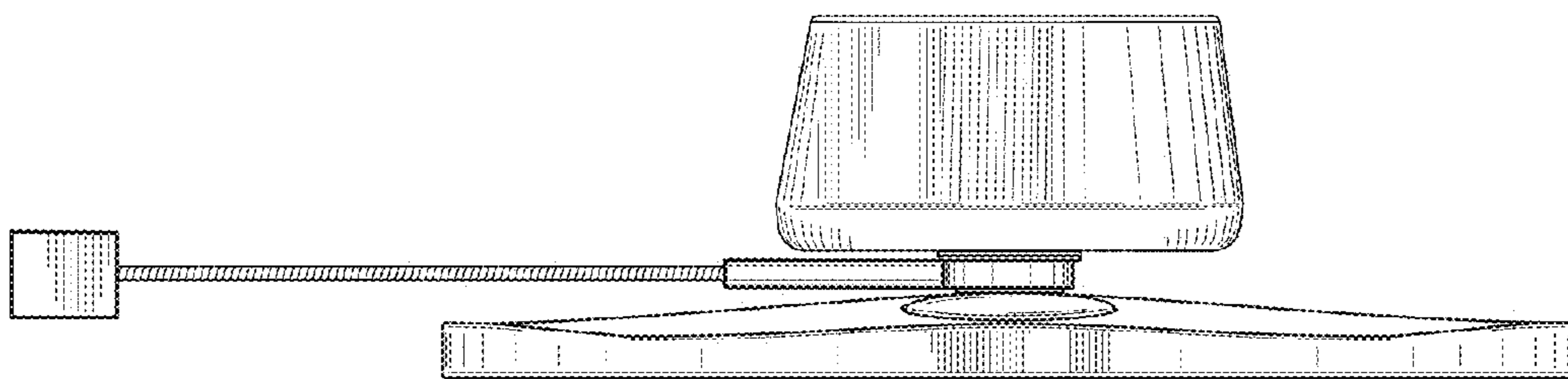


FIG. 5

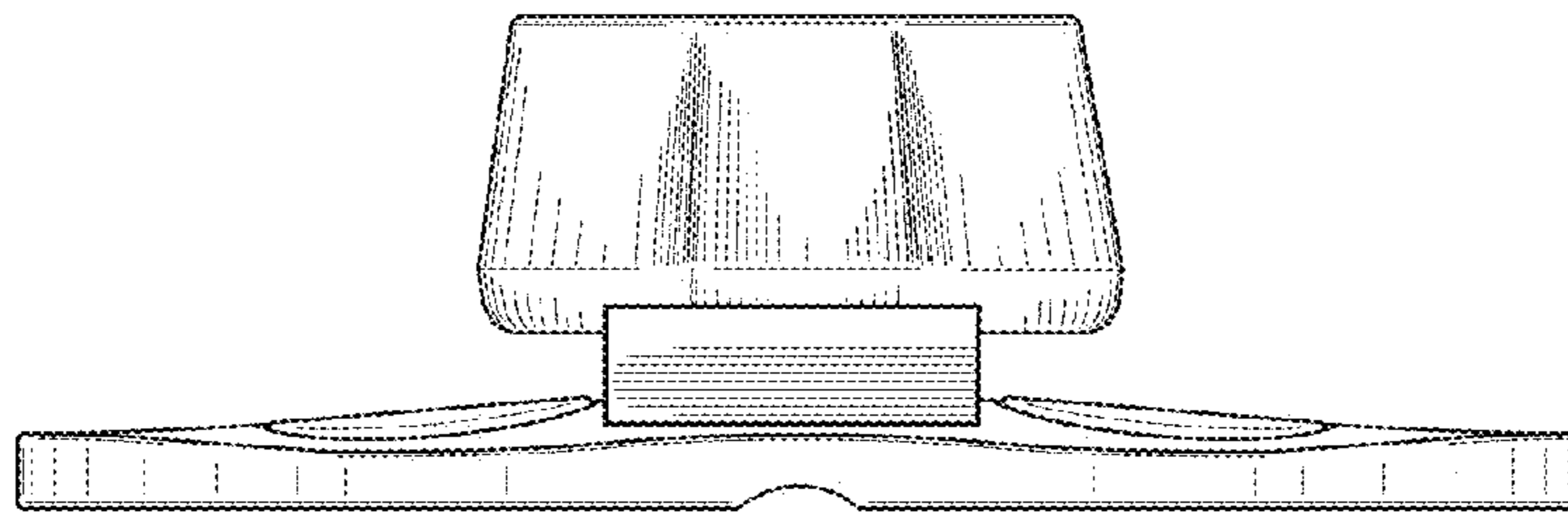


FIG. 3

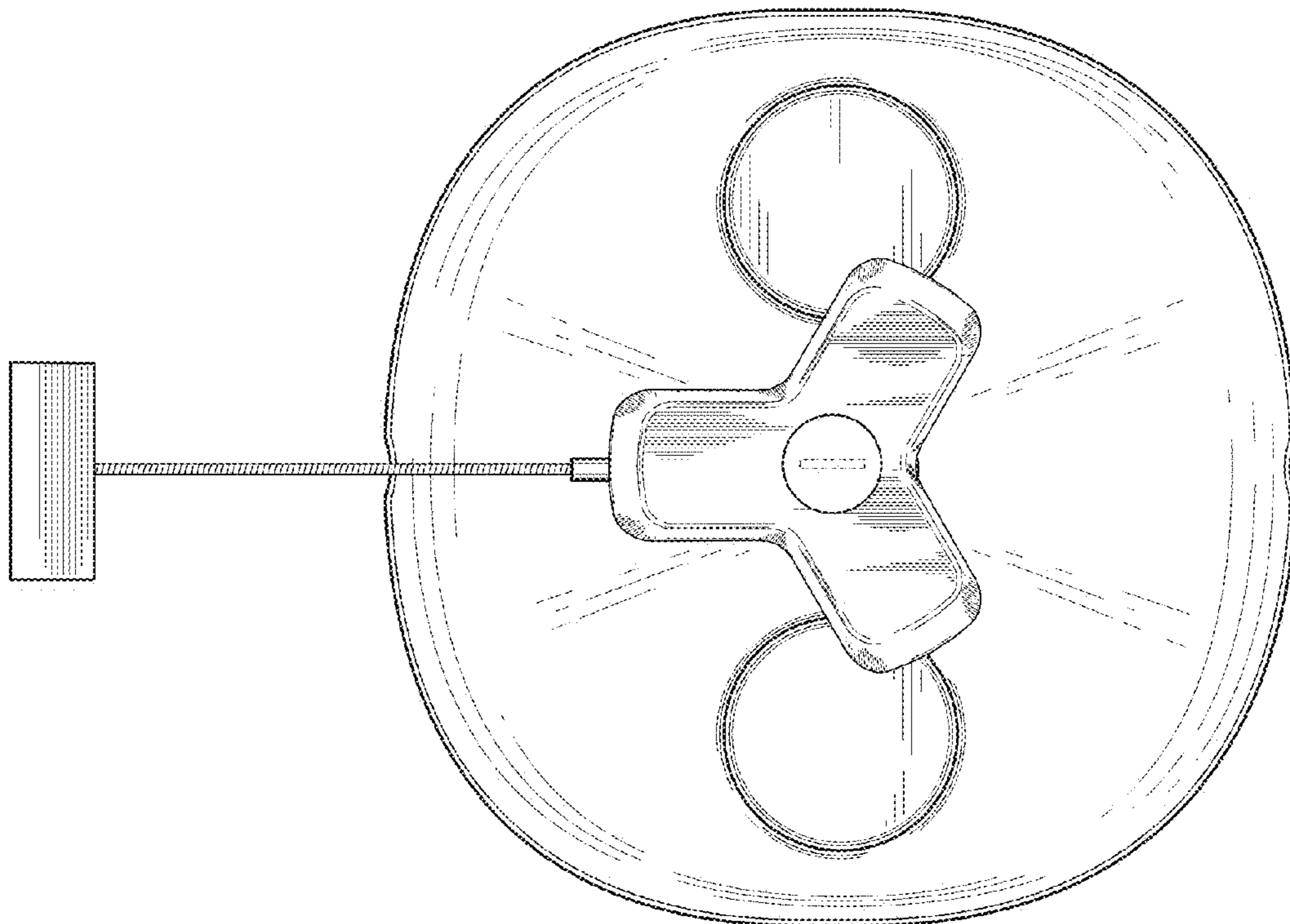


FIG. 6

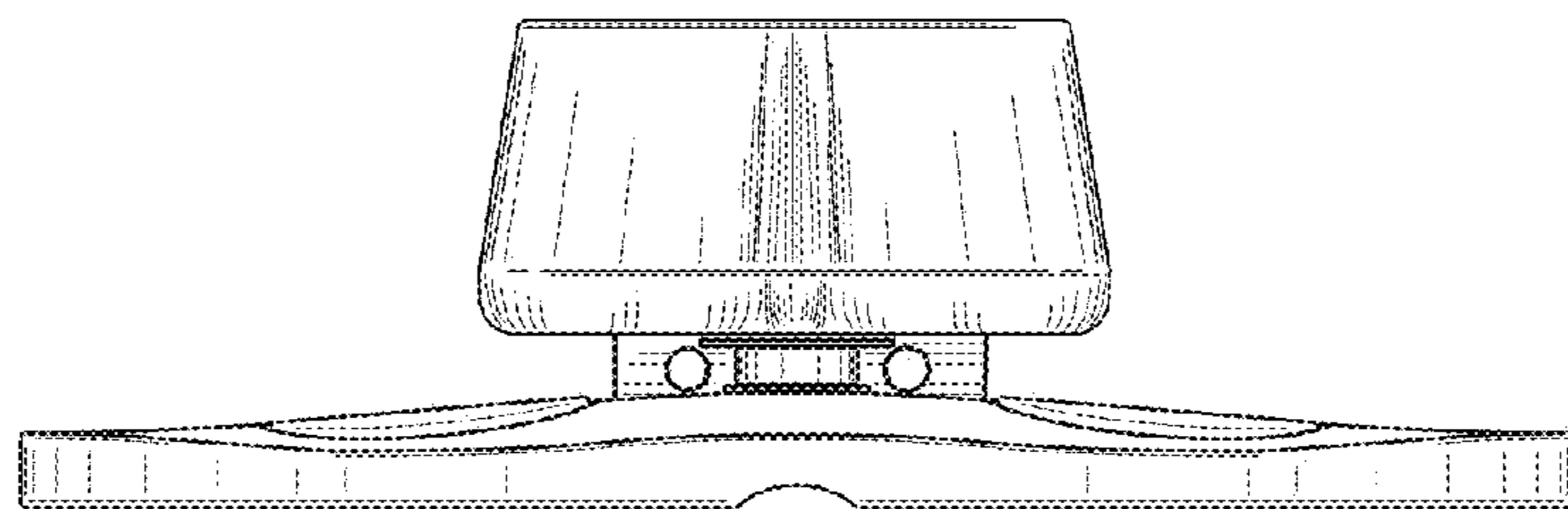


FIG. 4

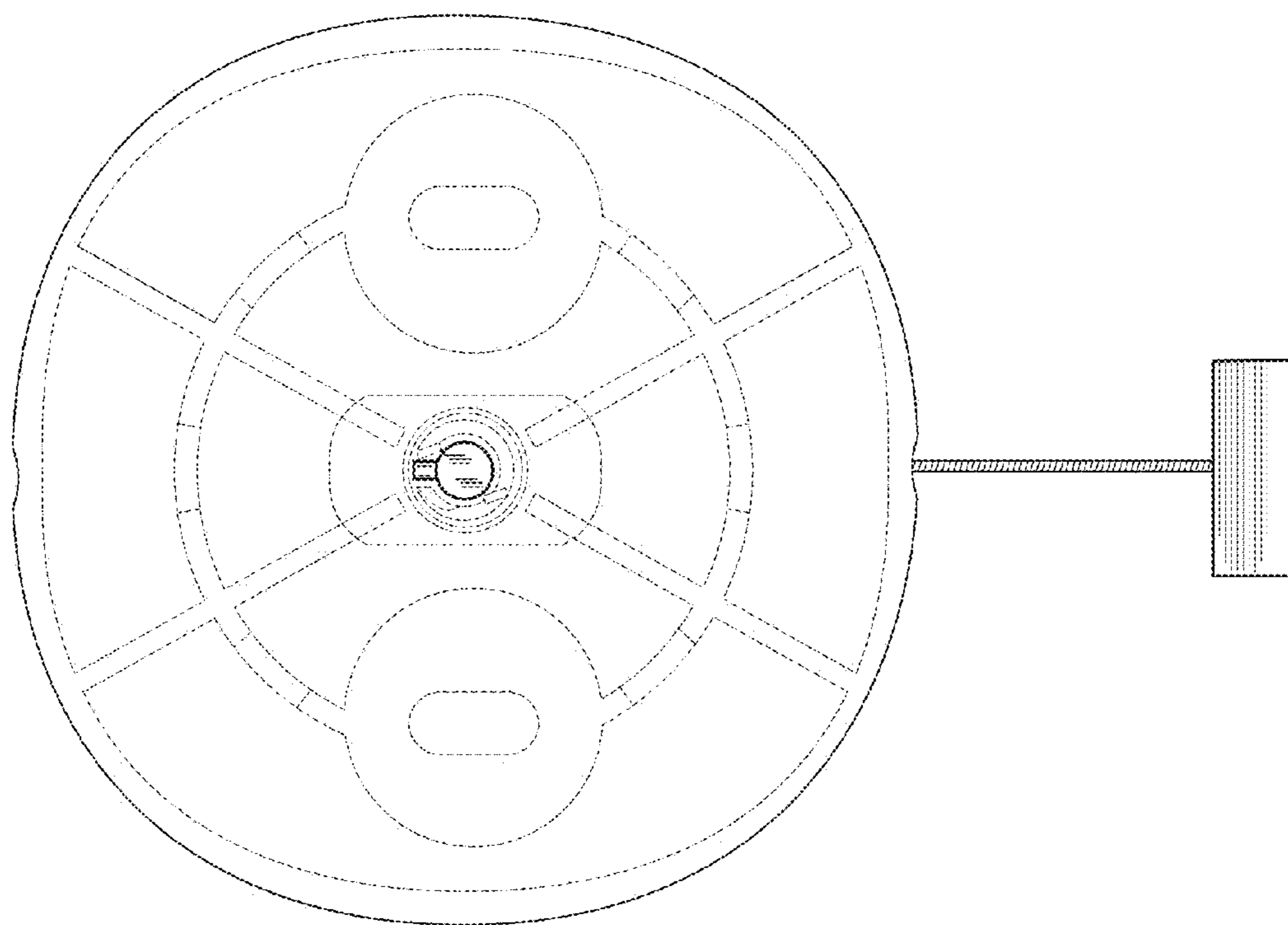


FIG. 7