



US00D743780S

(12) **United States Design Patent**
Chan

(10) **Patent No.:** **US D743,780 S**
(45) **Date of Patent:** **** Nov. 24, 2015**

(54) **CORD PULLER ASSEMBLY**
(71) Applicant: **NIFCO (HK) LTD.**, Tai Po, N.T. (HK)
(72) Inventor: **Man Chan**, Tai Po (HK)
(73) Assignee: **NIFCO (HK) LTD.**, Tai Po, N.T. (HK)
(**) Term: **14 Years**
(21) Appl. No.: **29/450,678**
(22) Filed: **Mar. 20, 2013**
(51) **LOC (10) Cl.** **08-08**
(52) **U.S. Cl.**
USPC **D8/383**
(58) **Field of Classification Search**
USPC D8/383, 373, 374, 300, 303, 313, 314,
D8/394, 395, 396, 380; 24/136 K, 130,
24/136 R; D22/108; D13/133; 248/328;
408/314; 5/205, 224; 42/50
CPC F16G 11/103; A43C 11/20; A43C 7/00;
A43C 13/28; A43C 2013/223; A47H 3/08;
A45F 2200/0516
See application file for complete search history.

(56) **References Cited**
U.S. PATENT DOCUMENTS
D185,541 S * 6/1959 Finkelstein D8/306
4,374,638 A * 2/1983 Presser 441/69
(Continued)

Primary Examiner — Robert M Spear
Assistant Examiner — Eliza Bennett-Hattan
(74) *Attorney, Agent, or Firm* — Morrison & Foerster LLP

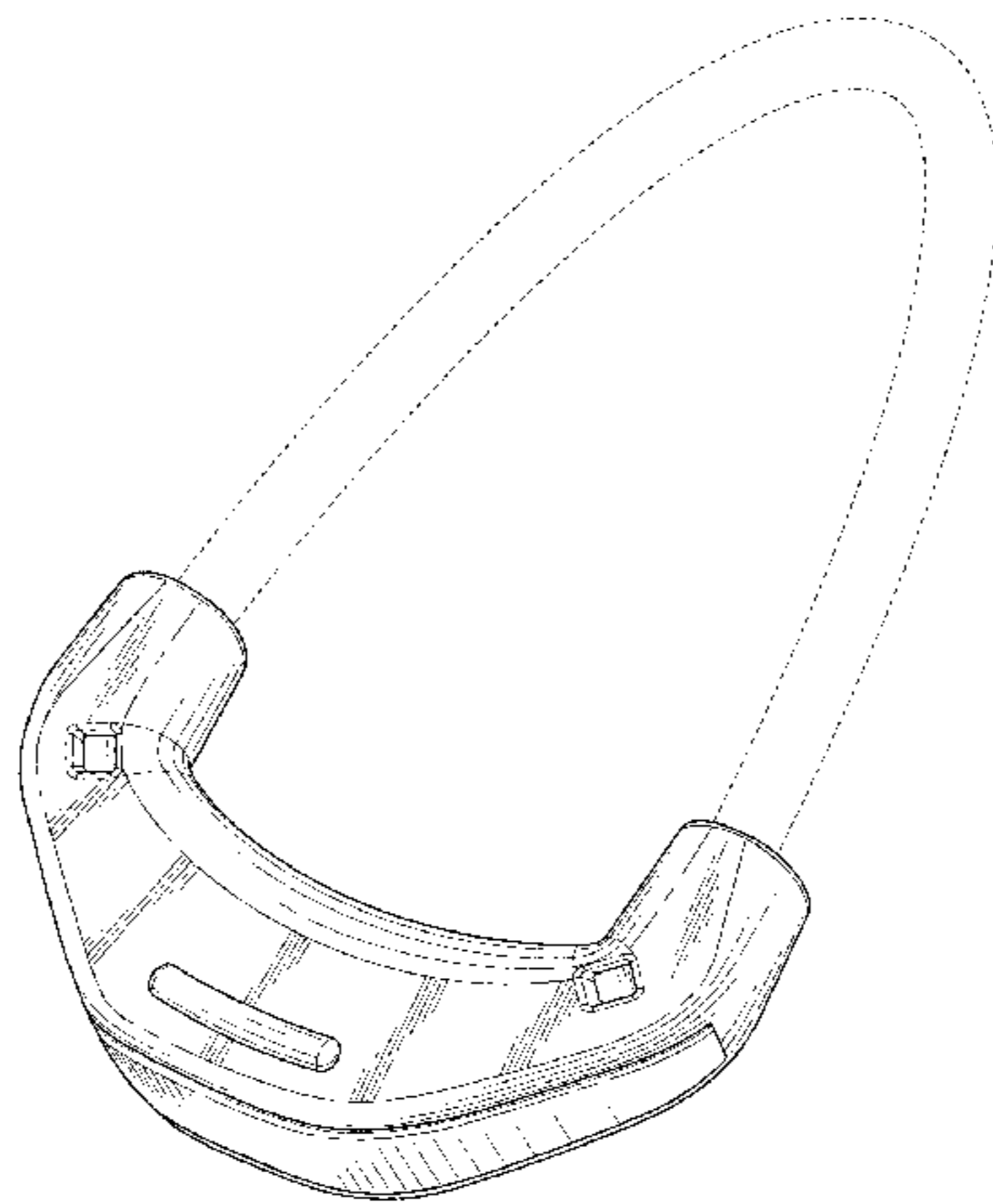
(57) **CLAIM**
The ornamental design for a cord puller assembly, as shown and described.

DESCRIPTION

FIG. 1 is a top view of a cord puller assembly.
FIG. 2 is a left view of the cord puller assembly.
FIG. 3 is a front view of the cord puller assembly.
FIG. 4 is a right view of the cord puller assembly.
FIG. 5 is a bottom view of the cord puller assembly.
FIG. 6 is a first perspective view of the cord puller assembly.
FIG. 7 is a second perspective view of the cord puller assembly.

FIG. 8 is a reference view of the cord puller assembly in a usage condition.
FIG. 9 is a top view of a top part of the cord puller assembly, with the remainder of the cord puller assembly not included for clarity of disclosure.
FIG. 10 is a left view of the top part of the cord puller assembly, with the remainder of the cord puller assembly not included for clarity of disclosure.
FIG. 11 is a front view of the top part of the cord puller assembly, with the remainder of the cord puller assembly not included for clarity of disclosure.
FIG. 12 is a right view of the top part of the cord puller assembly, with the remainder of the cord puller assembly not included for clarity of disclosure.
FIG. 13 is a bottom view of the top part of the cord puller assembly, with the remainder of the cord puller assembly not included for clarity of disclosure.
FIG. 14 is a first perspective view of the top part of the cord puller assembly, with the remainder of the cord puller assembly not included for clarity of disclosure.
FIG. 15 is a bottom perspective view of the first part of the cord puller assembly, with the remainder of the cord puller assembly not included for clarity of disclosure.
FIG. 16 is a top view of a bottom part of the cord puller assembly, with the remainder of the cord puller assembly not included for clarity of disclosure.
FIG. 17 is a left view of the bottom part of the cord puller assembly, with the remainder of the cord puller assembly not included for clarity of disclosure.
FIG. 18 is a front view of the bottom part of the cord puller assembly, with the remainder of the cord puller assembly not included for clarity of disclosure.
FIG. 19 is a right view of the bottom part of the cord puller assembly, with the remainder of the cord puller assembly not included for clarity of disclosure.
FIG. 20 is a bottom view of the bottom part of the cord puller assembly, with the remainder of the cord puller assembly not included for clarity of disclosure. FIG. 21 is a first perspective view of the bottom part of the cord puller assembly, with the remainder of the cord puller assembly not included for clarity of disclosure; and,
FIG. 22 is a second perspective view of the bottom part of the cord puller assembly, with the remainder of the cord puller assembly not included for clarity of disclosure.
The broken lines are included for the purpose of showing environmental structure, and form no part of the claimed design.

1 Claim, 8 Drawing Sheets



US D743,780 S

Page 2

(56)

References Cited

U.S. PATENT DOCUMENTS

5,694,663 A * 12/1997 Tserng 16/113.1
D431,444 S * 10/2000 Short D8/316
D513,694 S * 1/2006 Vitkauskas D8/300

D562,104 S * 2/2008 Griffis D8/300
D612,677 S * 3/2010 Jeon D7/402
D682,654 S * 5/2013 Clarke et al. D8/300
D705,638 S * 5/2014 Aruga D8/300
8,728,122 B2 * 5/2014 Crombie et al. 606/232

* cited by examiner

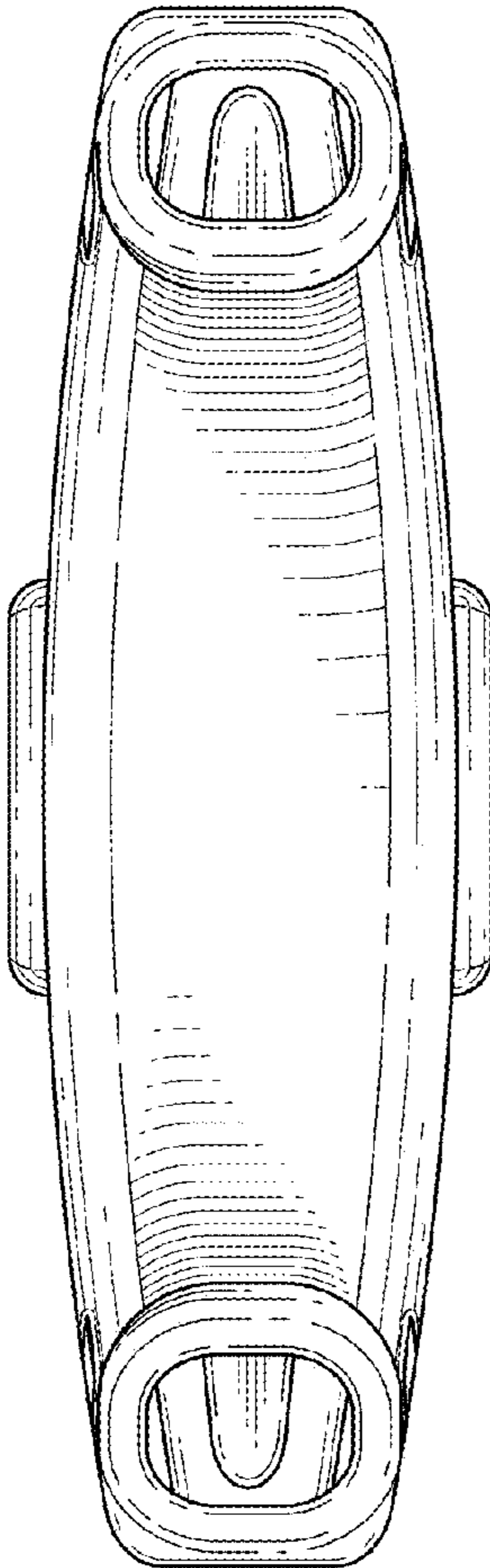


FIG. 1

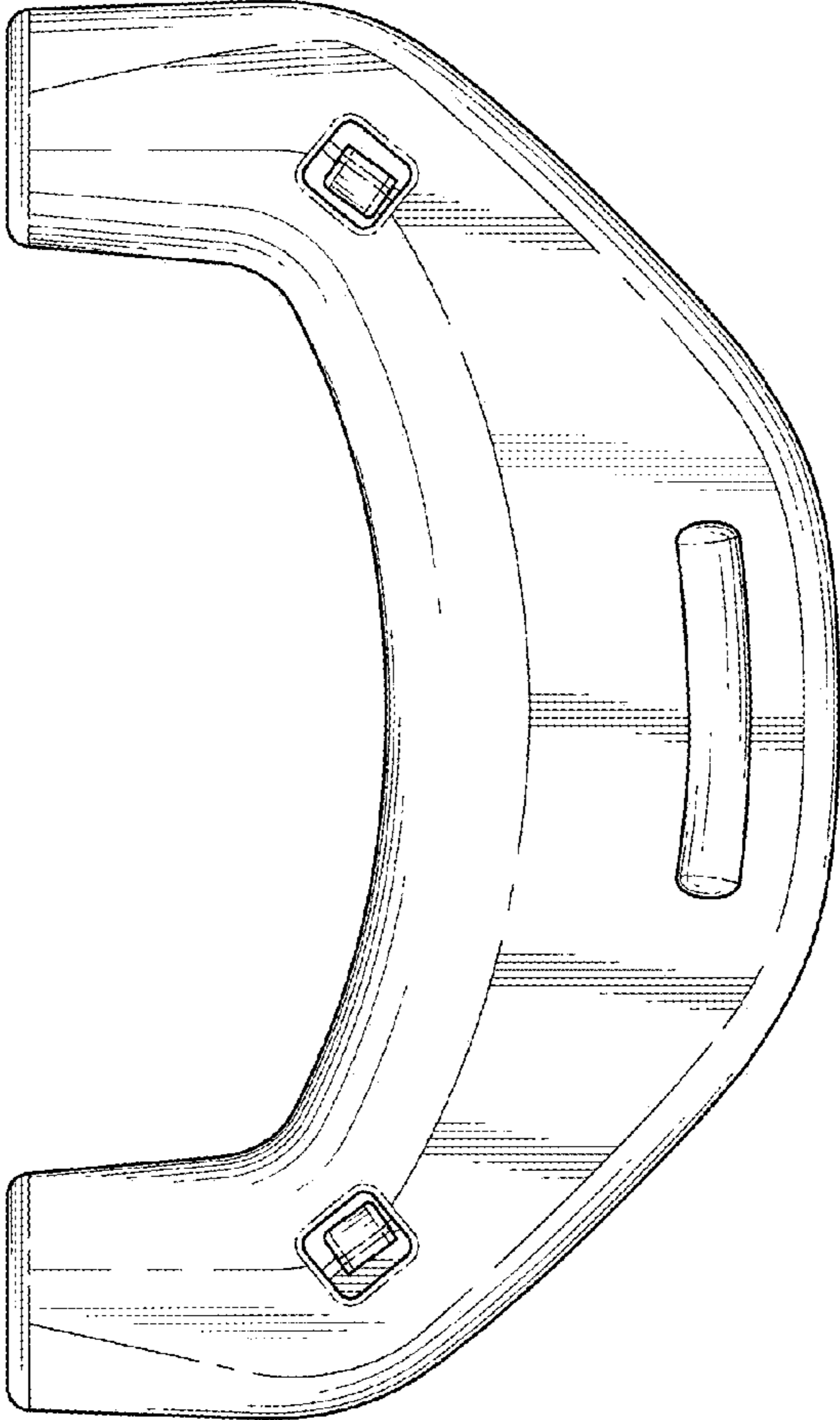


FIG. 3

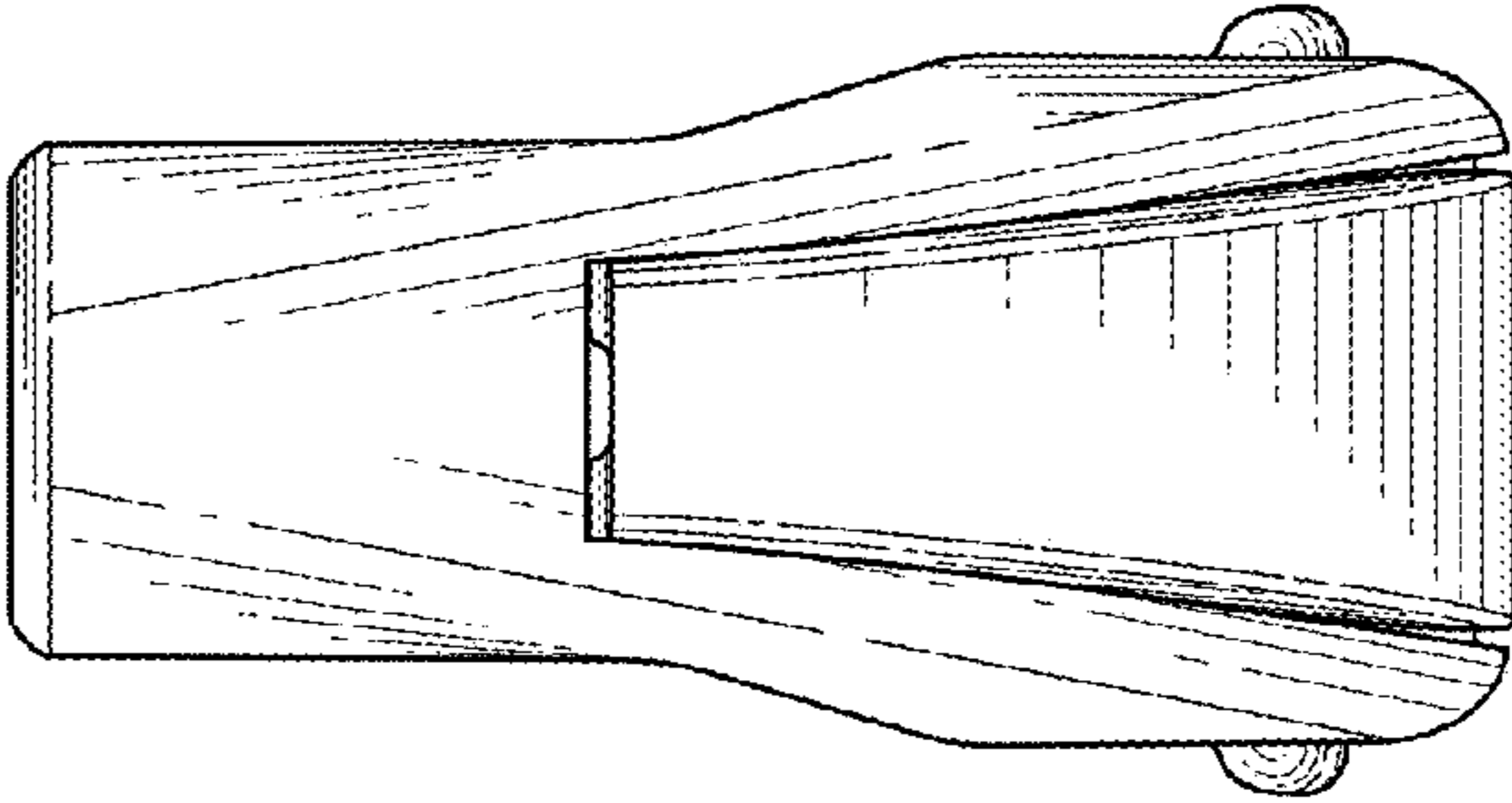


FIG. 4

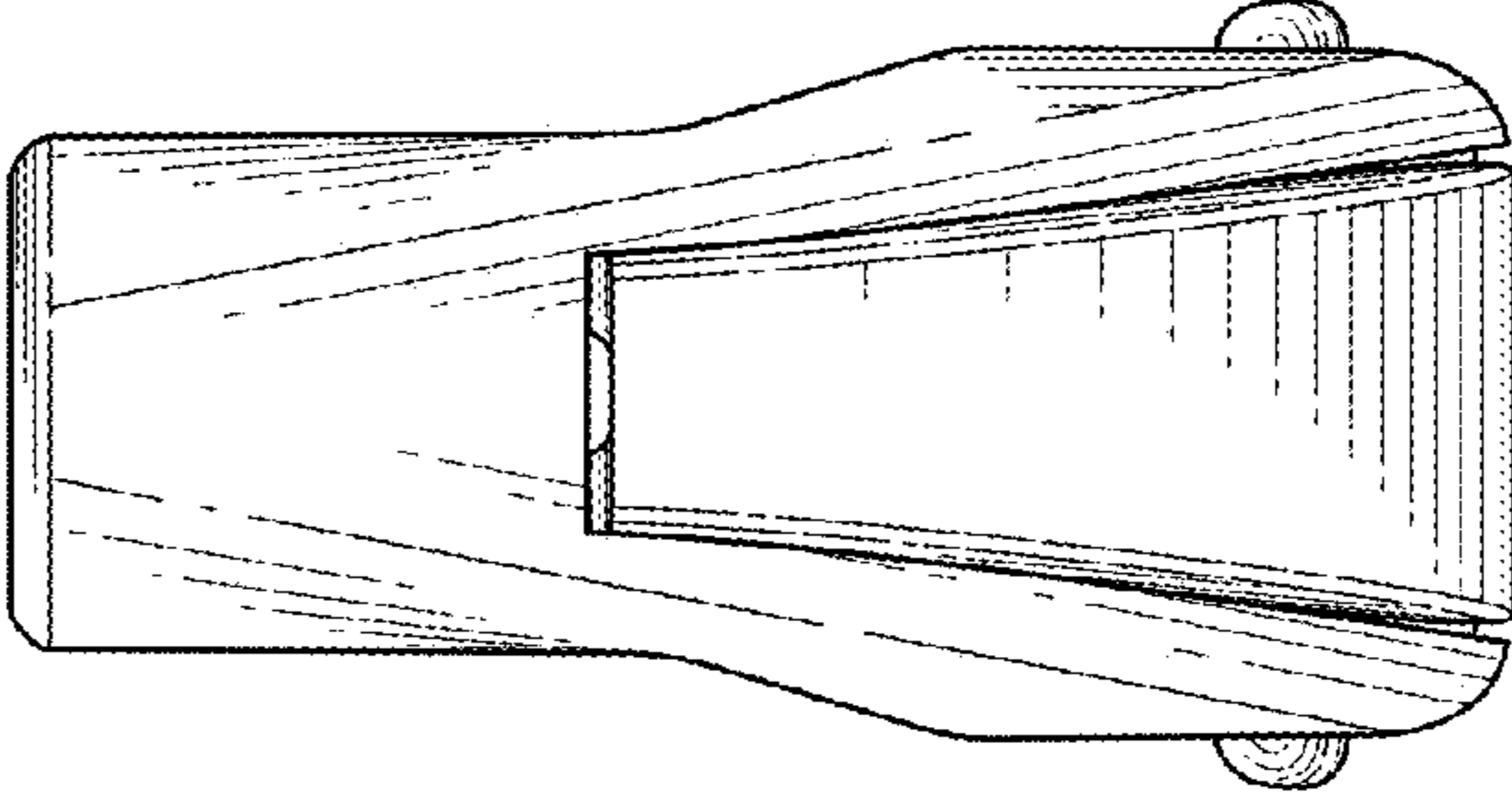


FIG. 2

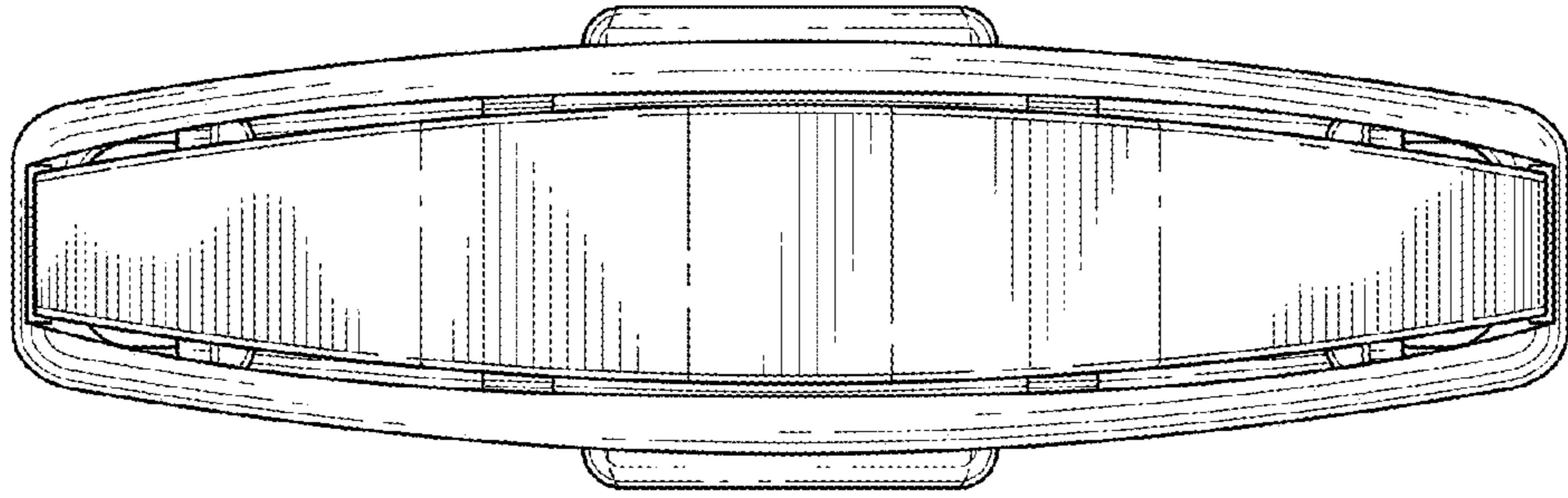


FIG. 5

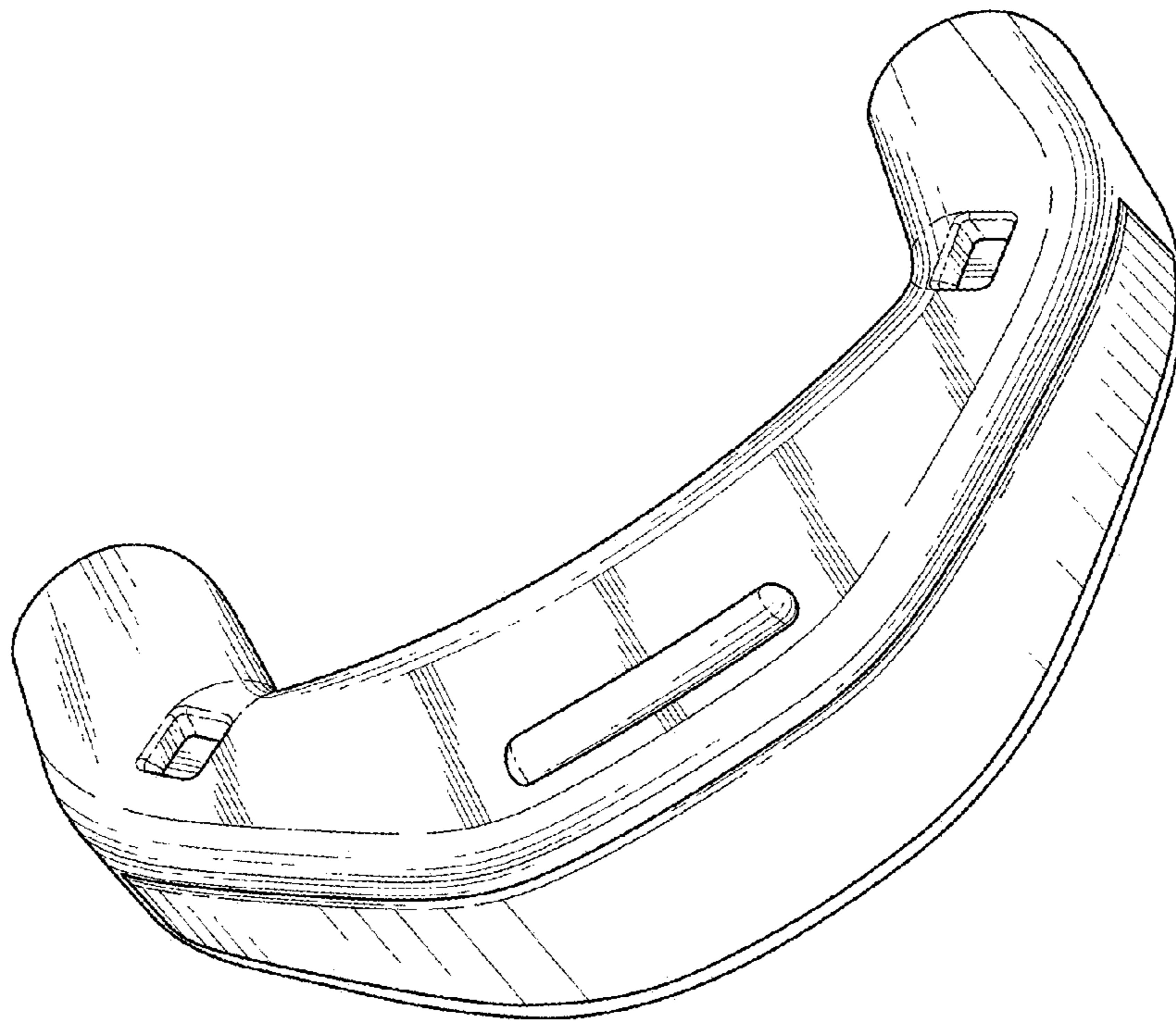


FIG. 6

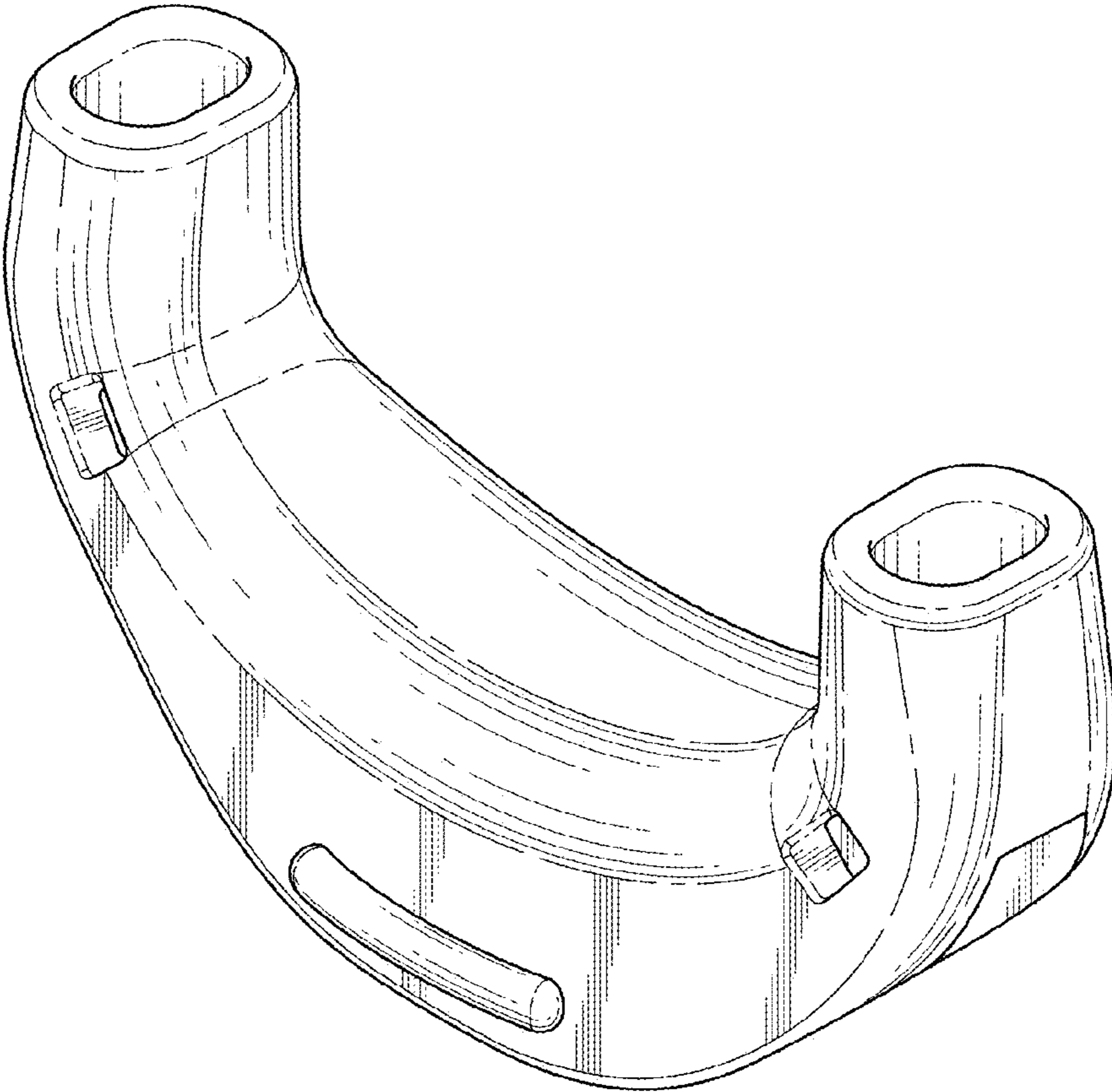


FIG. 7

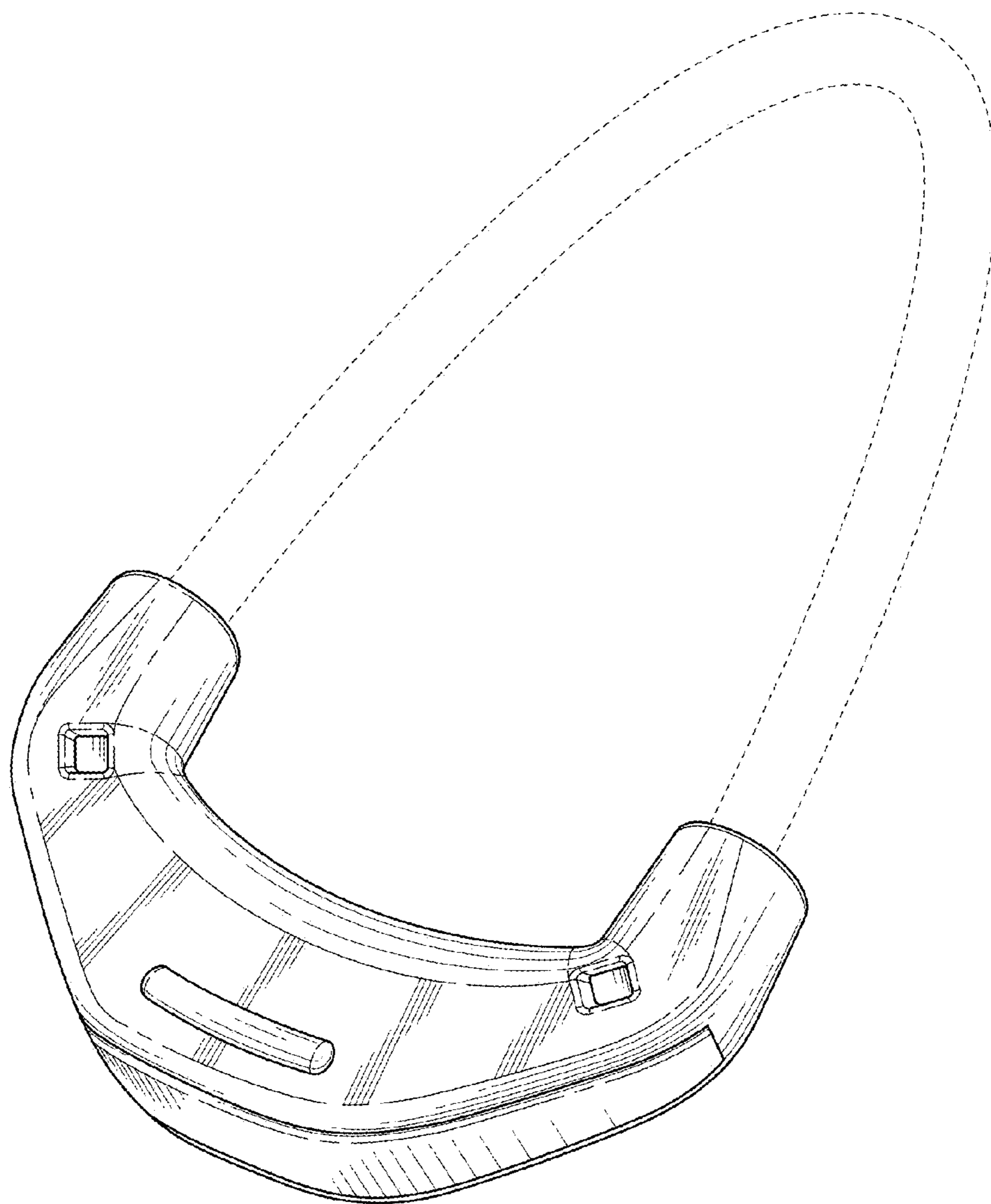


FIG. 8

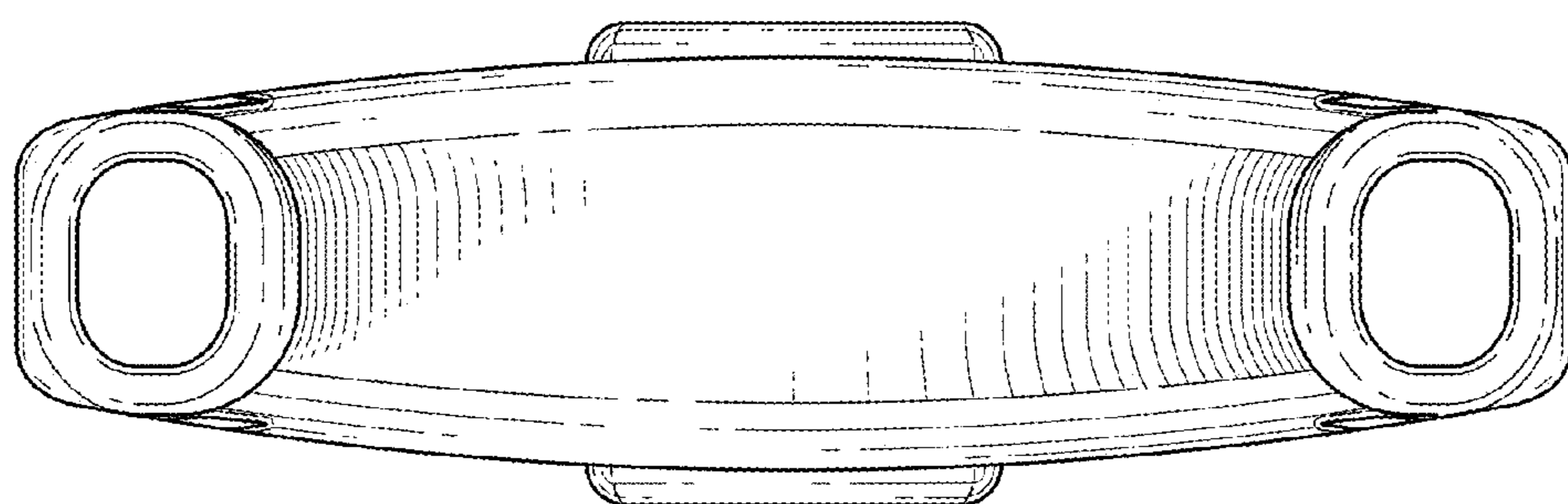


FIG. 9

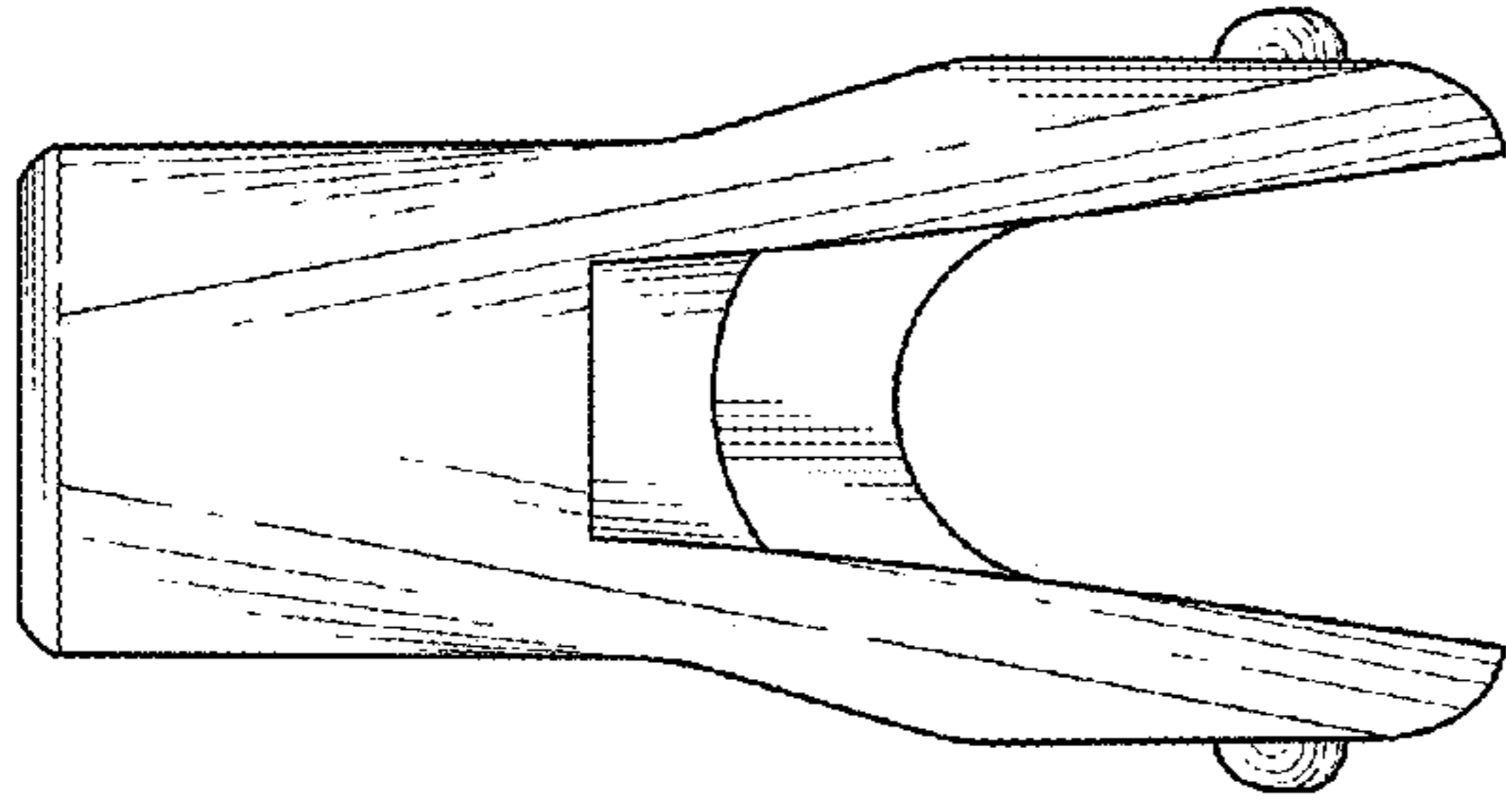


FIG. 10

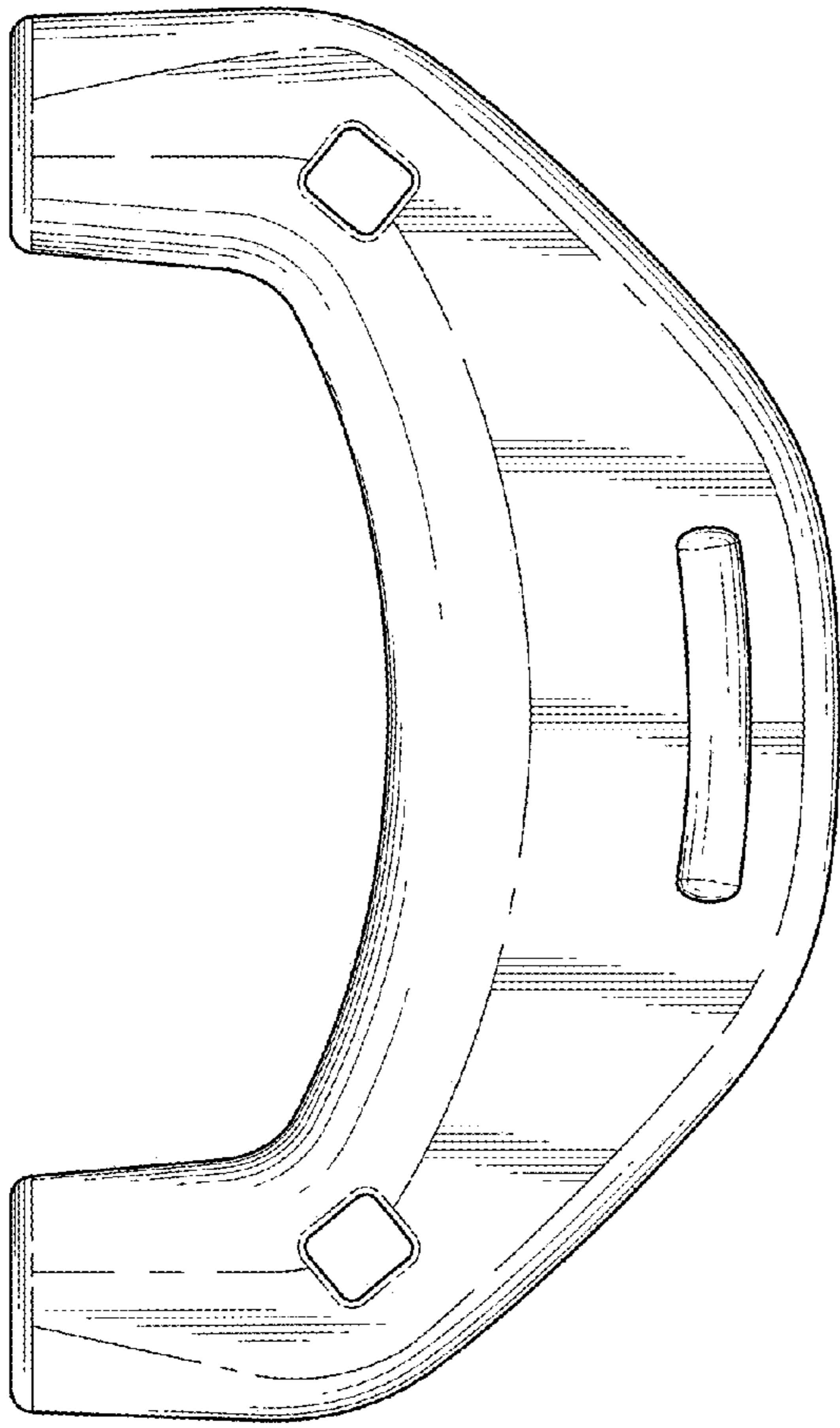


FIG. 11

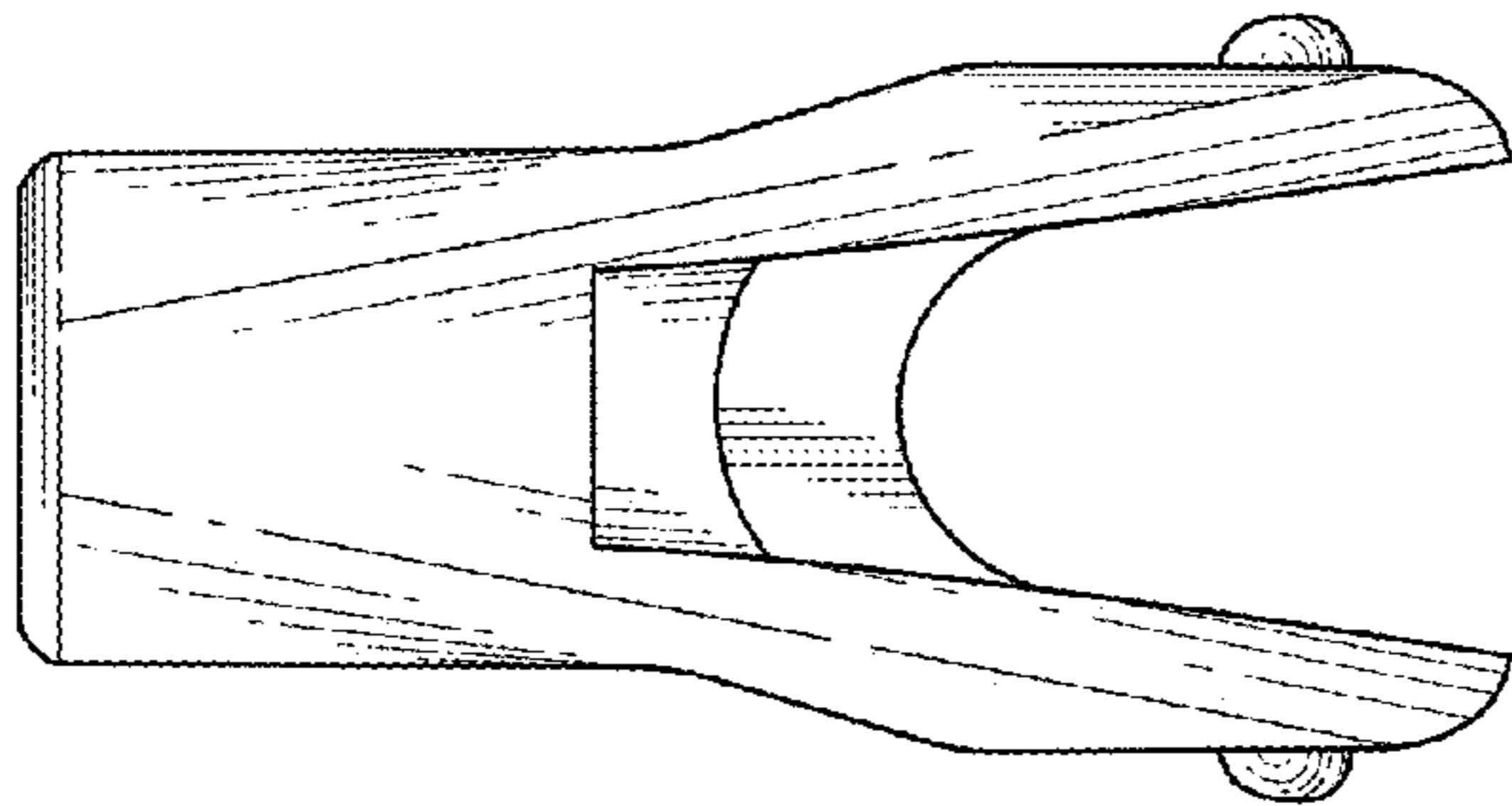


FIG. 12

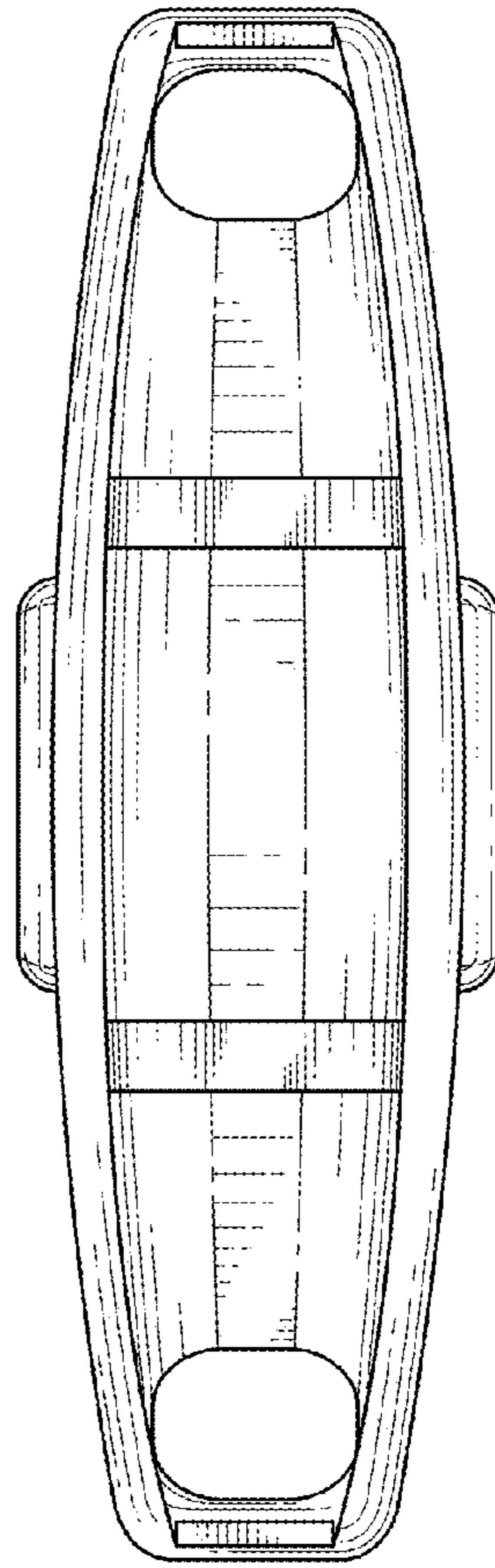


FIG. 13

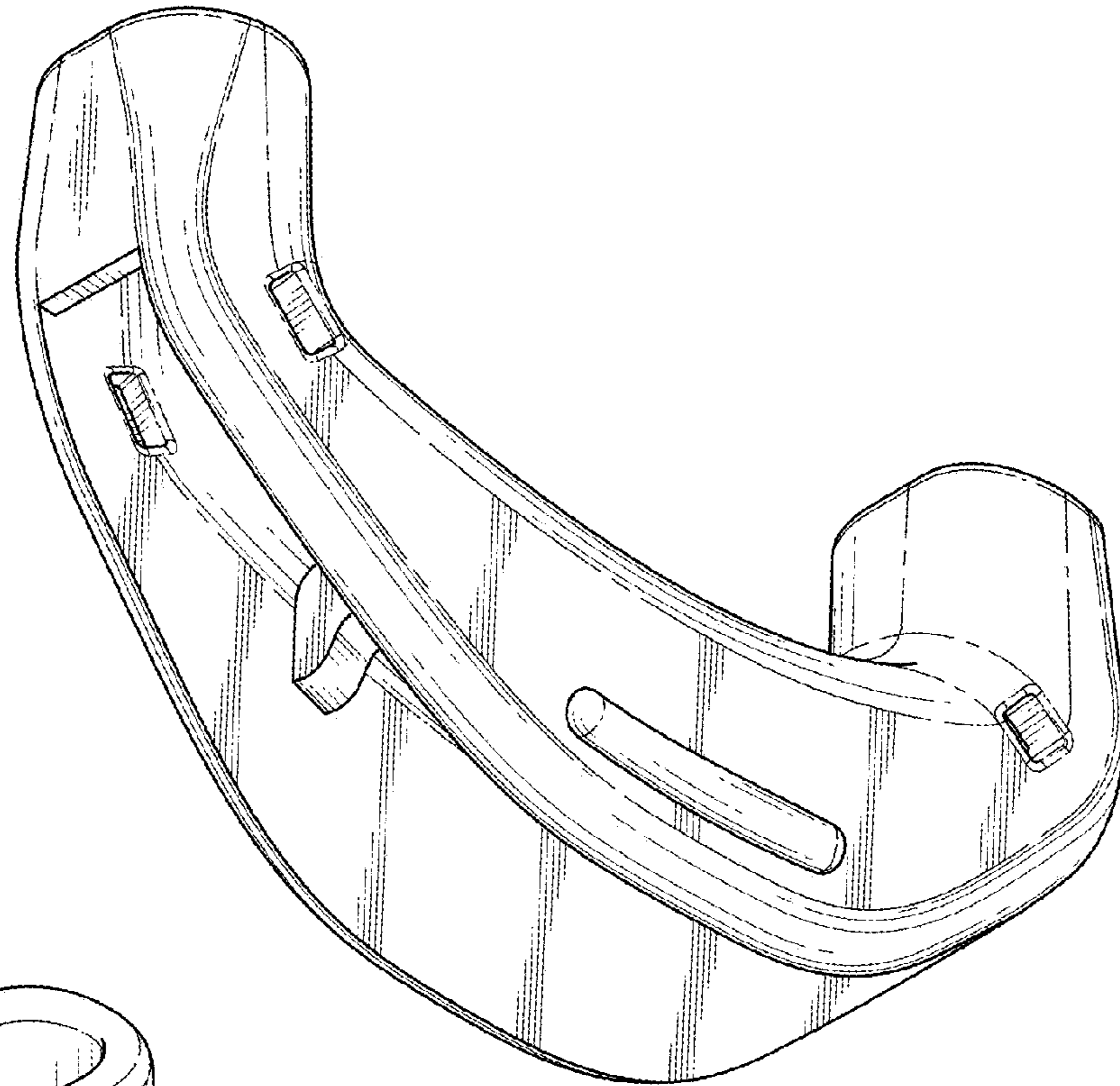


FIG. 14

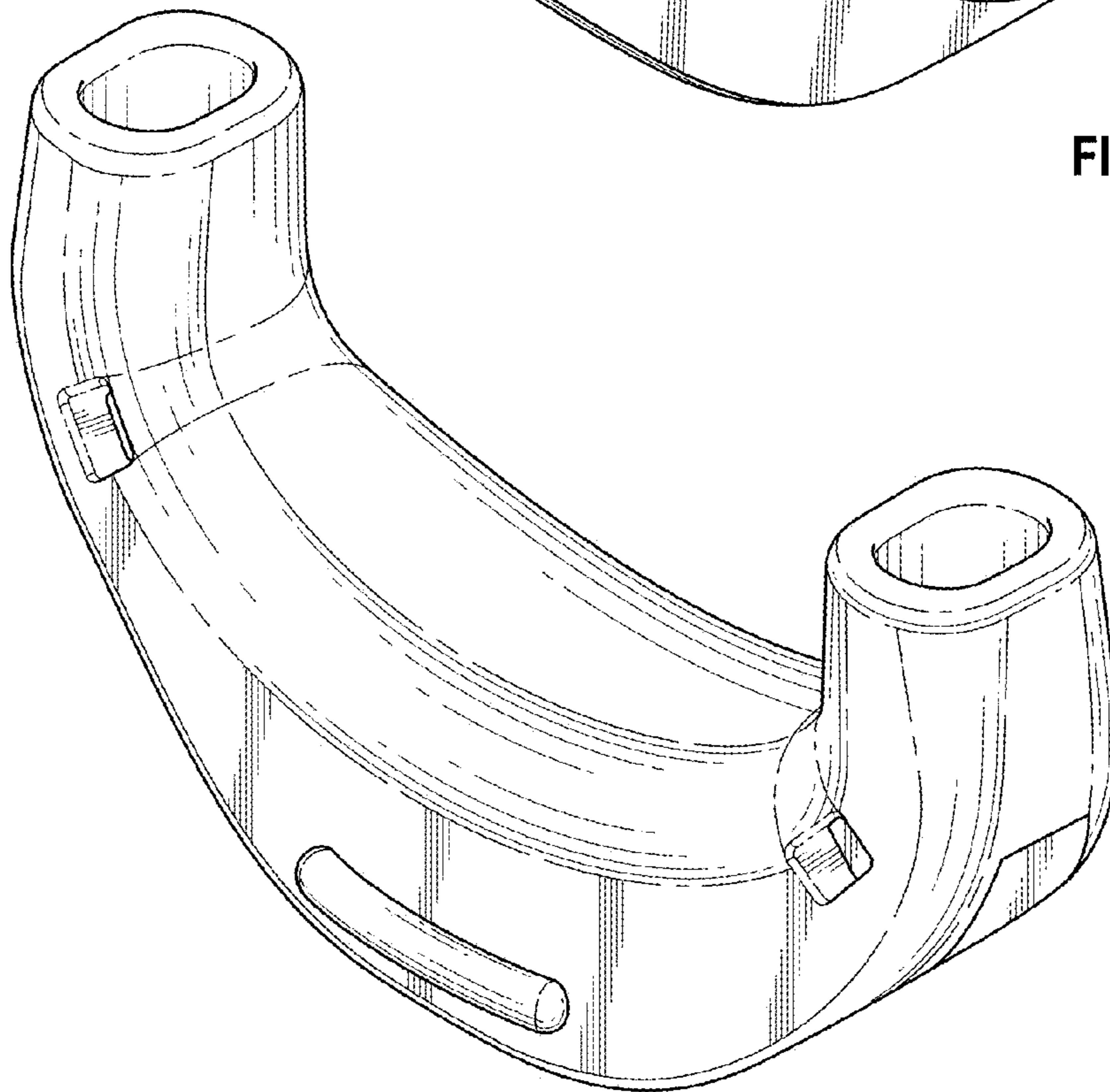


FIG. 15

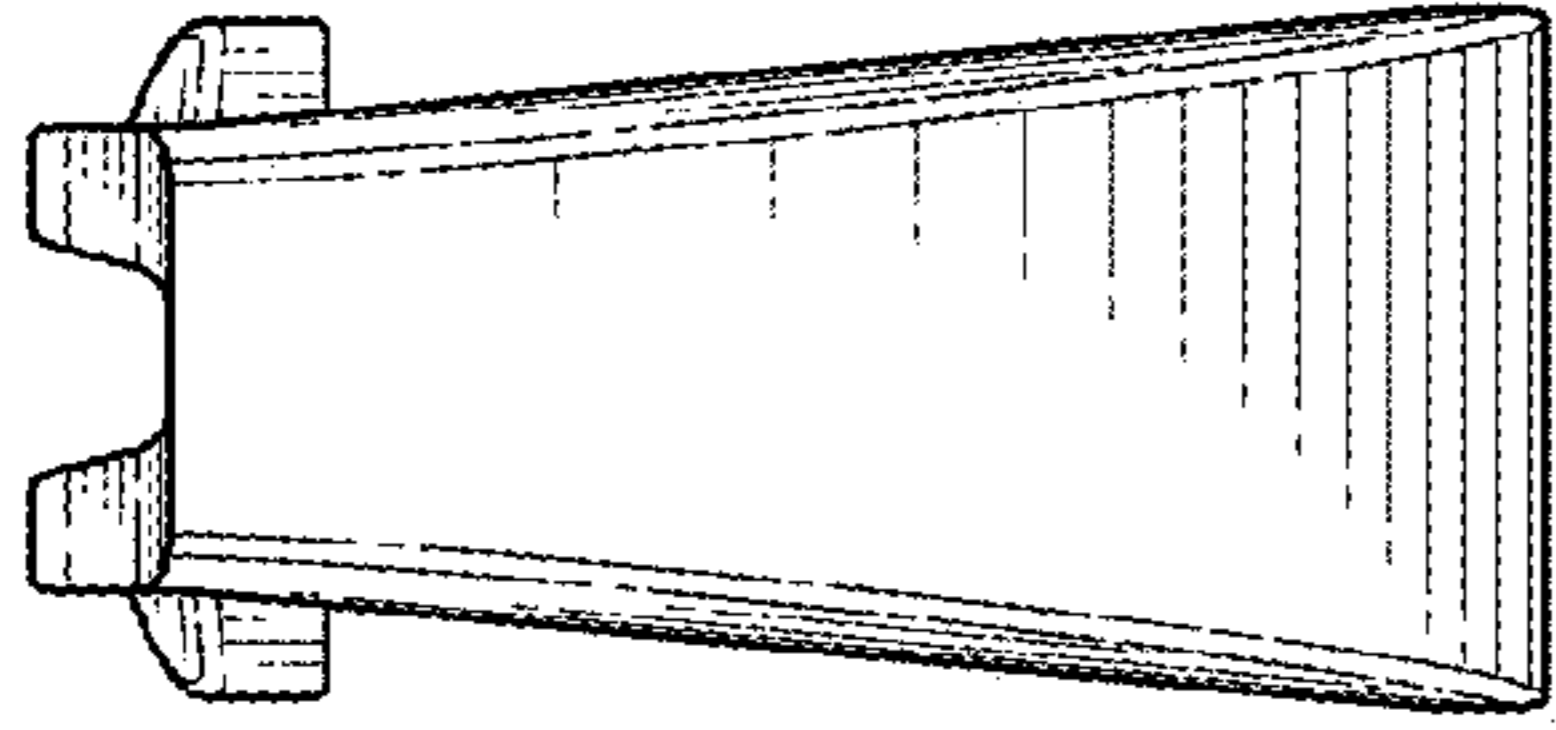


FIG. 17

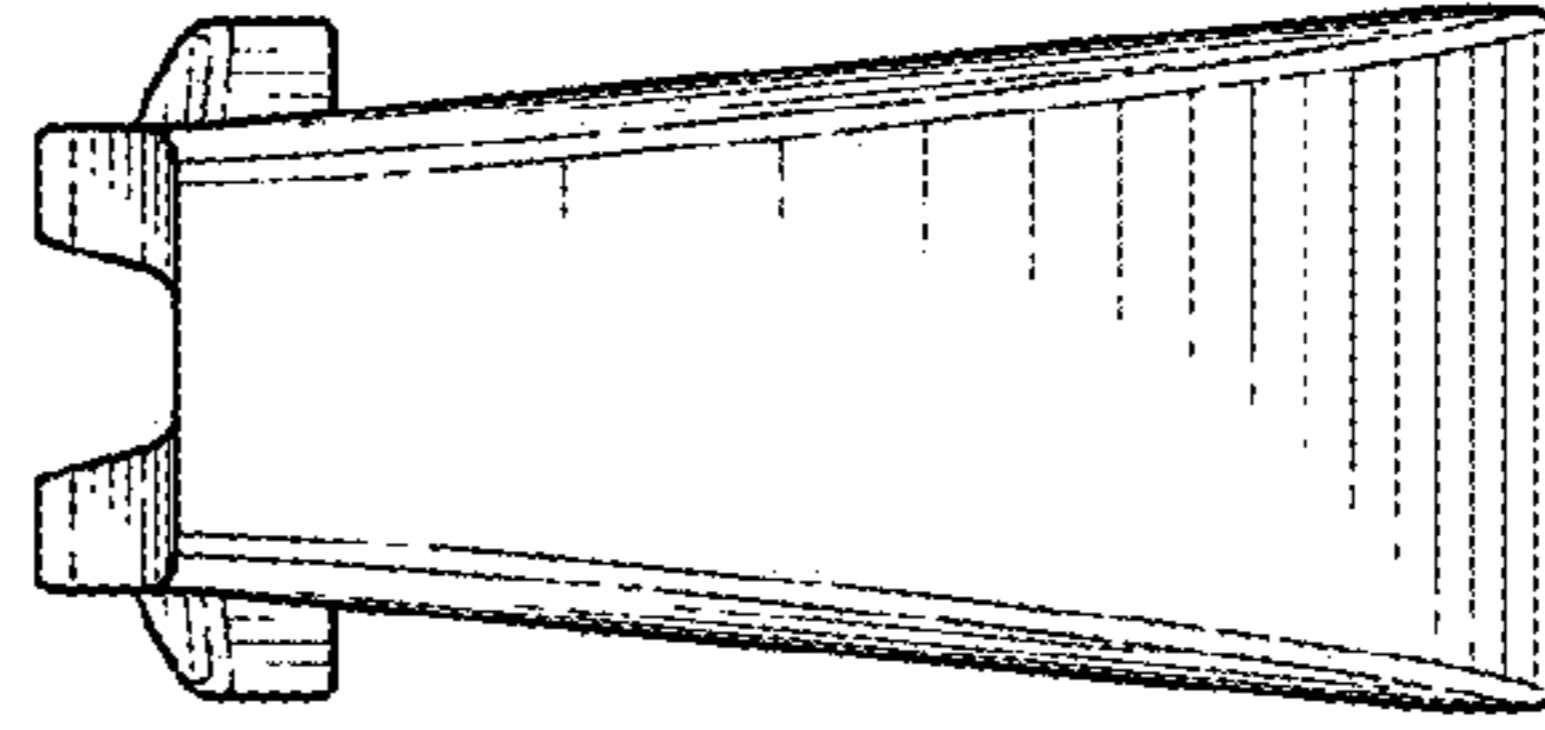


FIG. 19

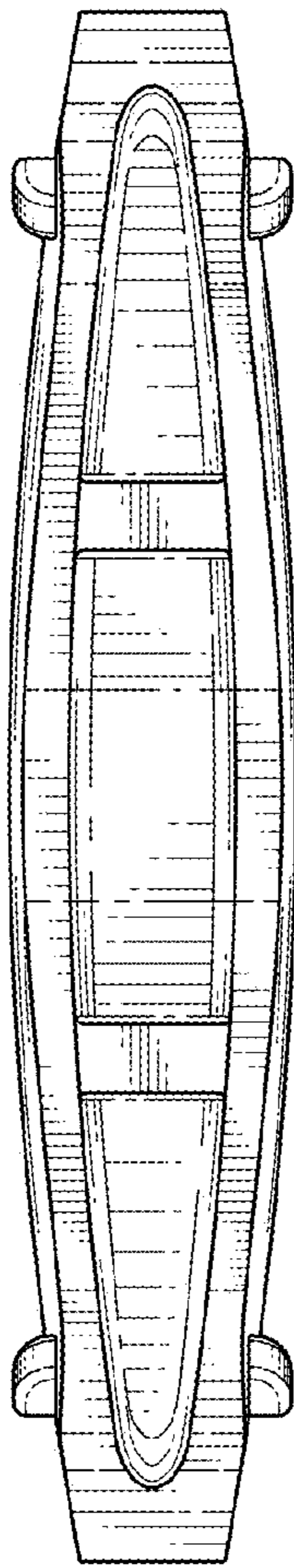


FIG. 16

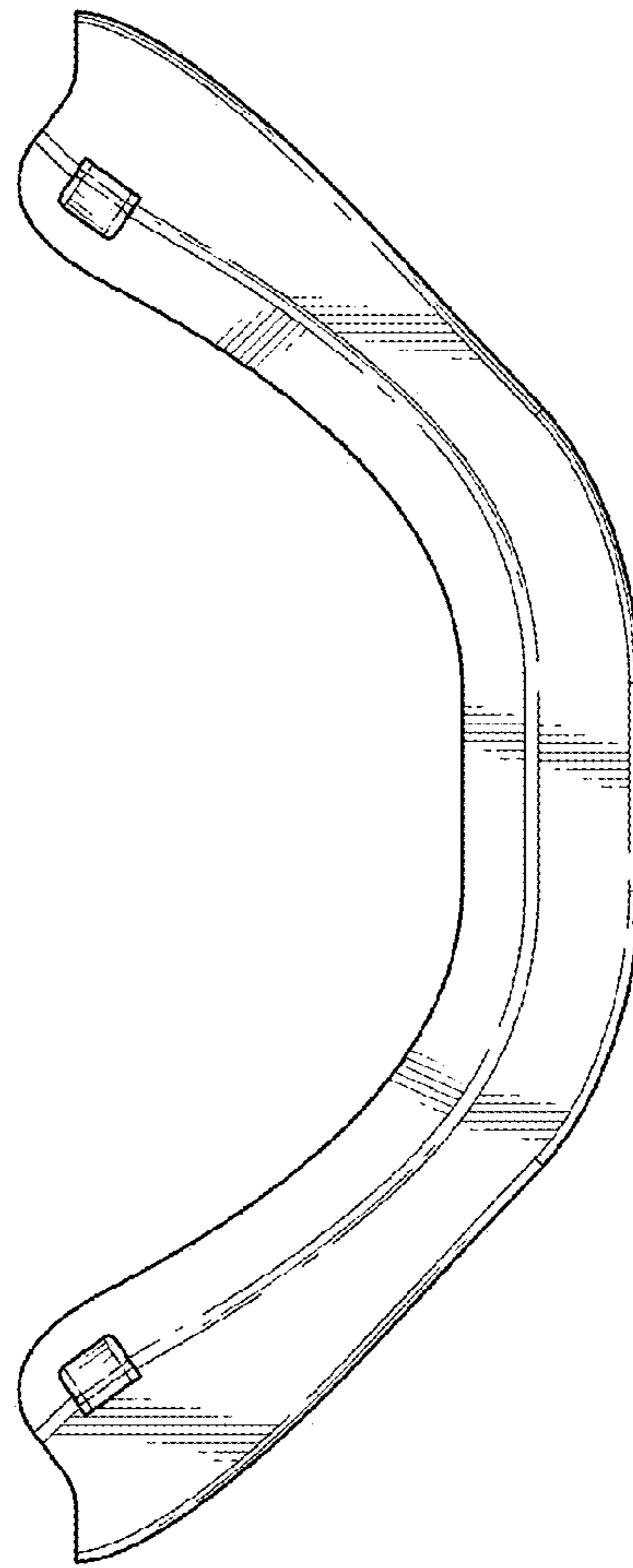


FIG. 18

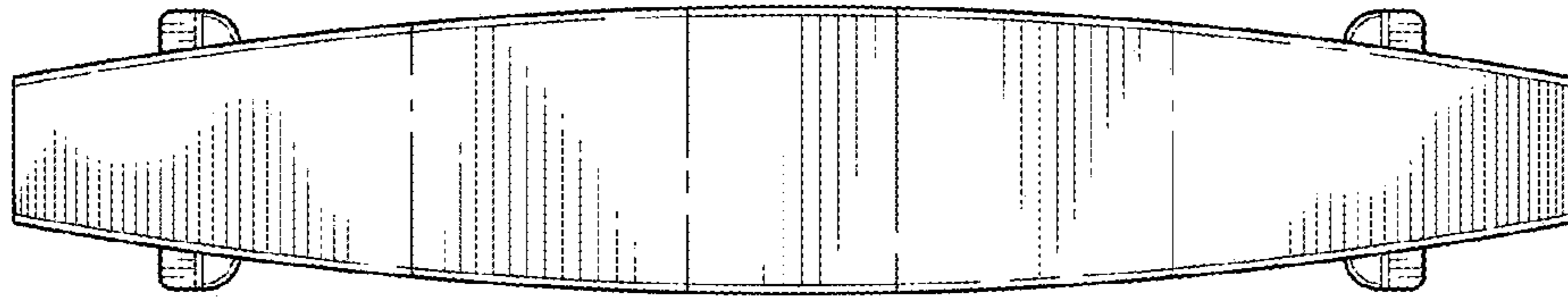


FIG. 20

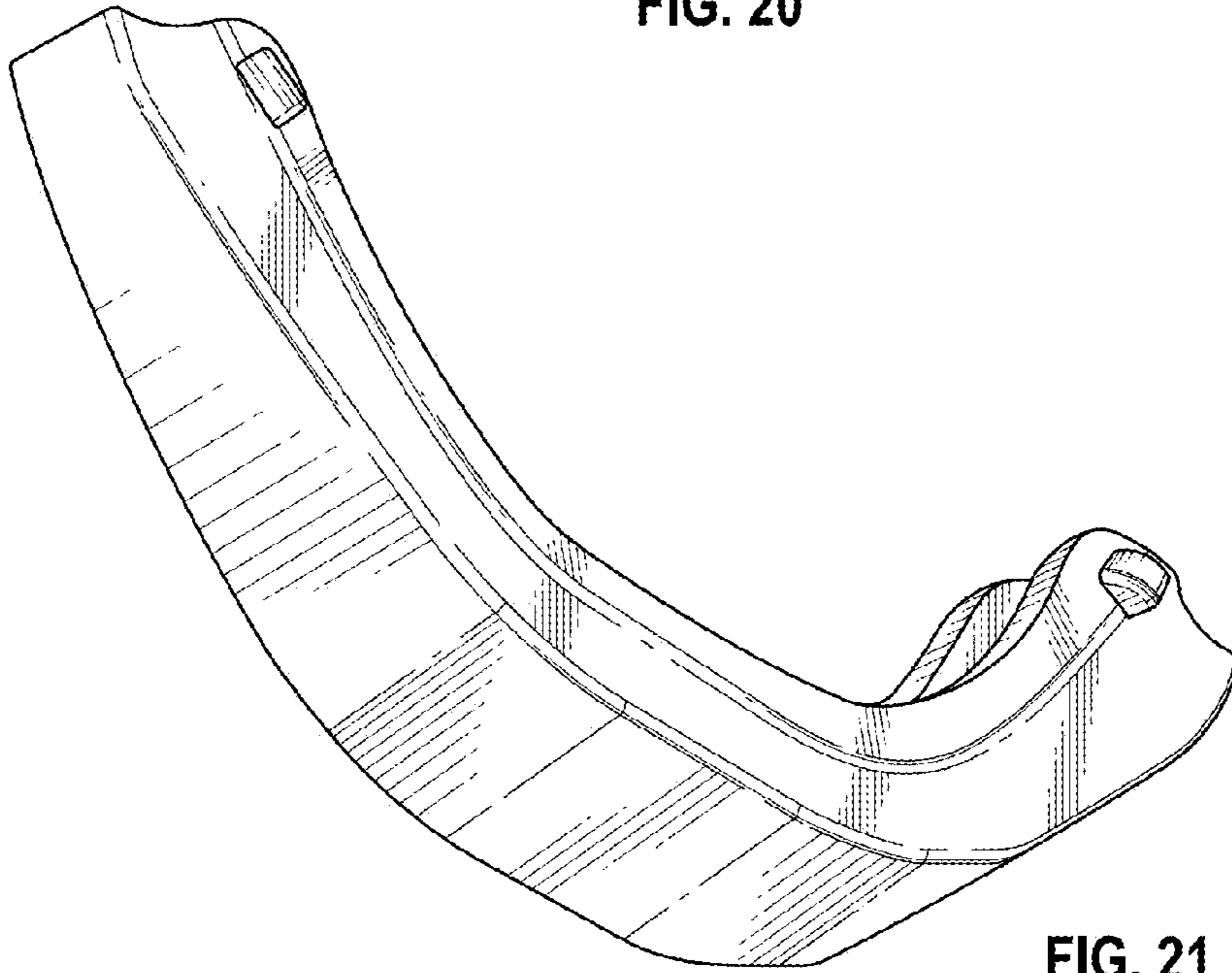


FIG. 21

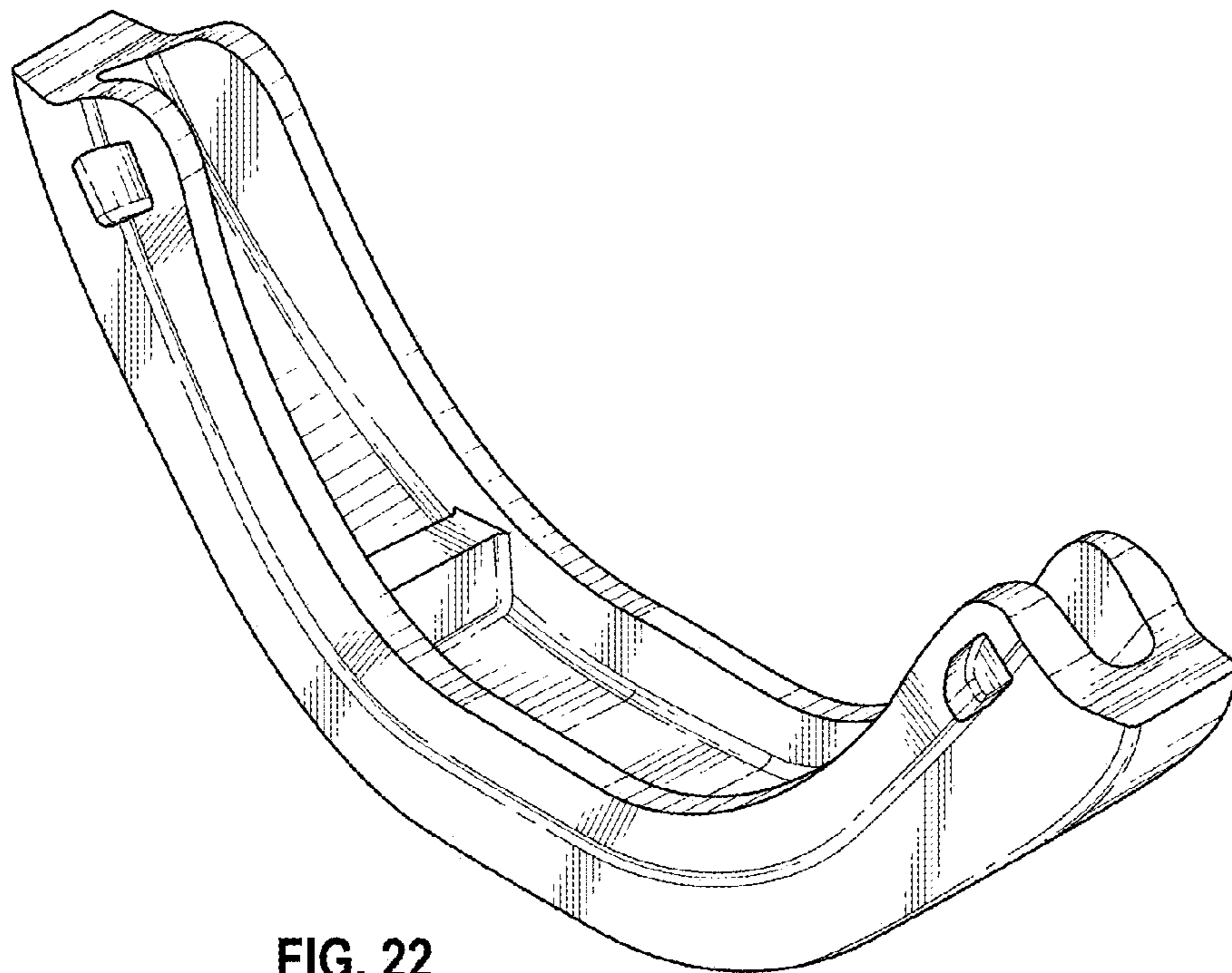


FIG. 22