



US00D743779S

(12) **United States Design Patent**
Cohen

(10) **Patent No.:** **US D743,779 S**

(45) **Date of Patent:** **** Nov. 24, 2015**

(54) **OVER THE DOOR HOOK FOR CLOTHING**

(71) Applicant: **Mystic Apparel LLC**, New York, NY (US)

(72) Inventor: **Samuel V. Cohen**, Brooklyn, NY (US)

(73) Assignee: **Mystic Apparel LLC**, New York, NY (US)

(**) Term: **14 Years**

(21) Appl. No.: **29/511,552**

(22) Filed: **Dec. 11, 2014**

(51) **LOC (10) Cl.** **08-05**

(52) **U.S. Cl.**
USPC **D8/372; D8/371**

(58) **Field of Classification Search**
USPC D8/16, 17, 18, 19, 20, 26, 363, 366,
D8/370-377, 380-382

CPC B25B 27/00; B25B 27/14; B25B 27/02;
B25B 9/00; B25B 27/0092; B25B 27/023;
B25B 31/00; B25B 27/0028; B25B 27/0035;
B25B 27/062; B25B 33/00; B25B 9/02;
B25B 13/48; B25B 23/00; B25B 23/10;
B25B 23/101; B25B 27/10

See application file for complete search history.

(56) **References Cited**

U.S. PATENT DOCUMENTS

D411,701 S * 6/1999 Klein et al. D6/513

D461,706 S * 8/2002 Goodman et al. D8/372
D465,998 S * 11/2002 Goodman et al. D8/372
D555,366 S * 11/2007 Goodman et al. D6/323
D614,480 S * 4/2010 Goodman et al. D8/372
D658,392 S * 5/2012 Cohen D6/323
D707,539 S * 6/2014 Goodman et al. D8/372

* cited by examiner

Primary Examiner — Robert M Spear

Assistant Examiner — Eliza Bennett-Hattan

(74) *Attorney, Agent, or Firm* — Andrew S. Langsam; Pryor Cashman LLP

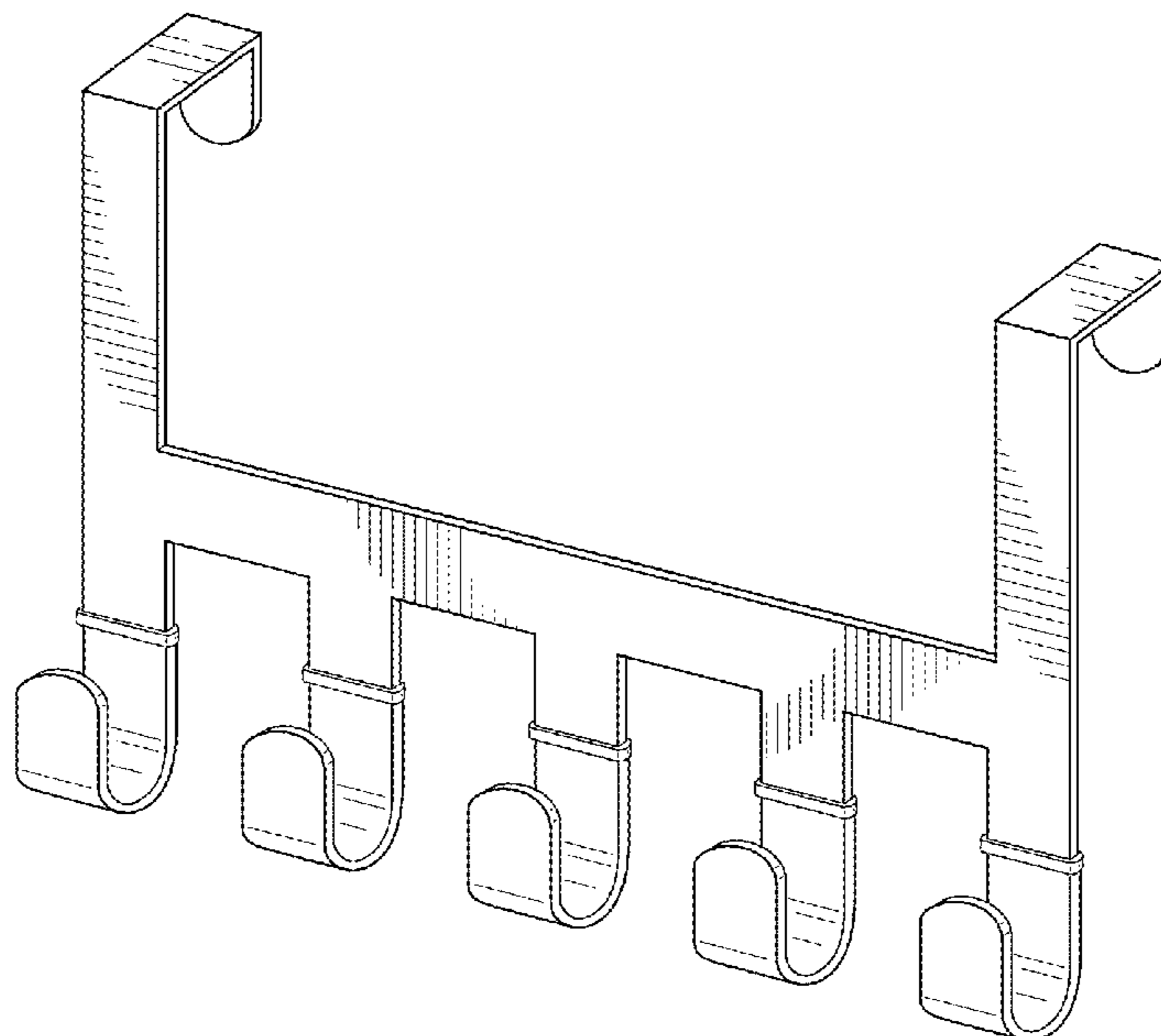
(57) **CLAIM**

The ornamental design for a over the door hook for clothing, as shown and described.

DESCRIPTION

FIG. 1 is a perspective view of the over the door hook for clothing of the present invention;
FIG. 2 is a front elevational view thereof;
FIG. 3 is a right side view thereof;
FIG. 4 is a left side view thereof;
FIG. 5 is a rear view thereof;
FIG. 6 is top view thereof; and,
FIG. 7 is a bottom view of the present invention.

1 Claim, 3 Drawing Sheets



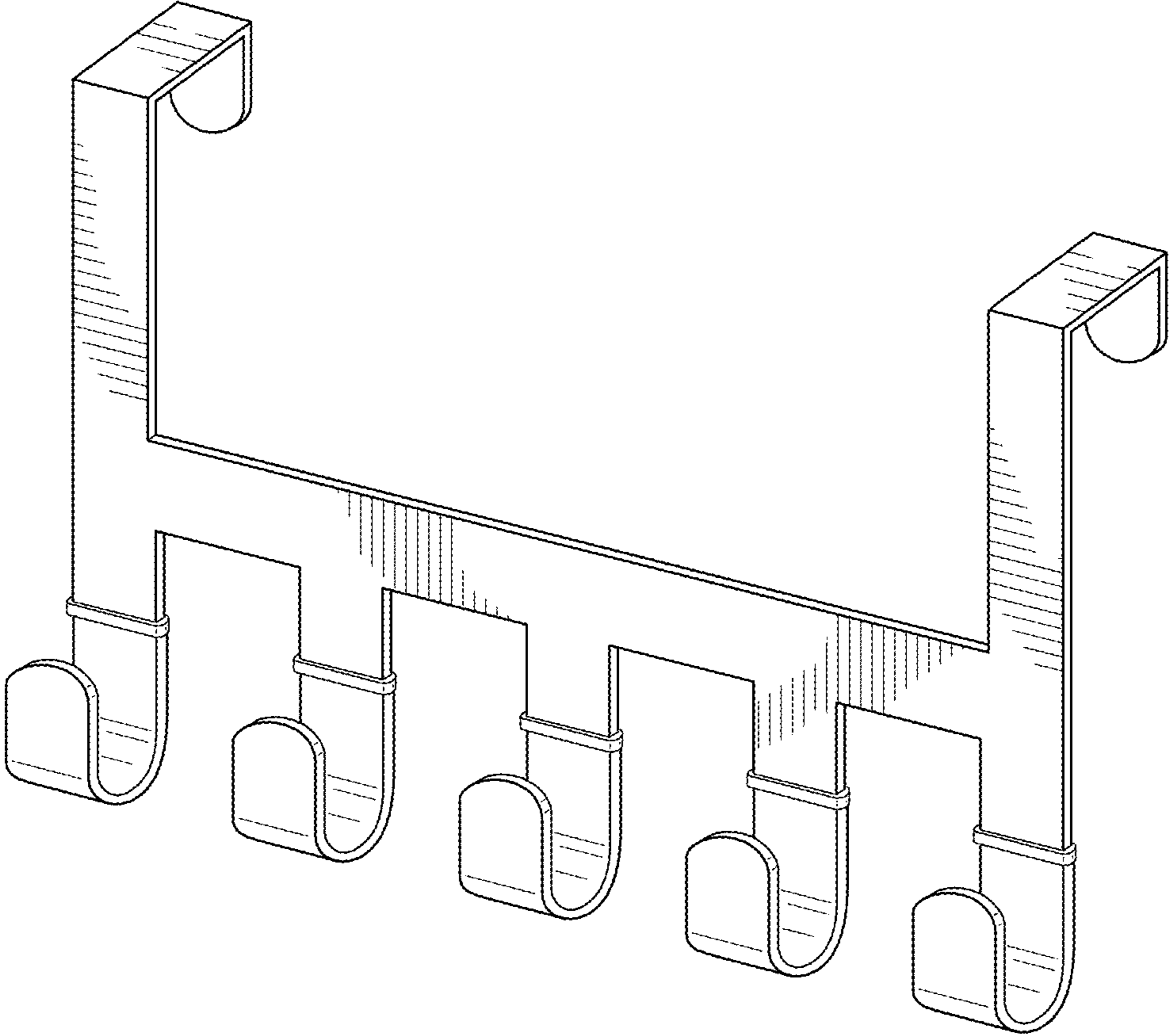


FIG. 1

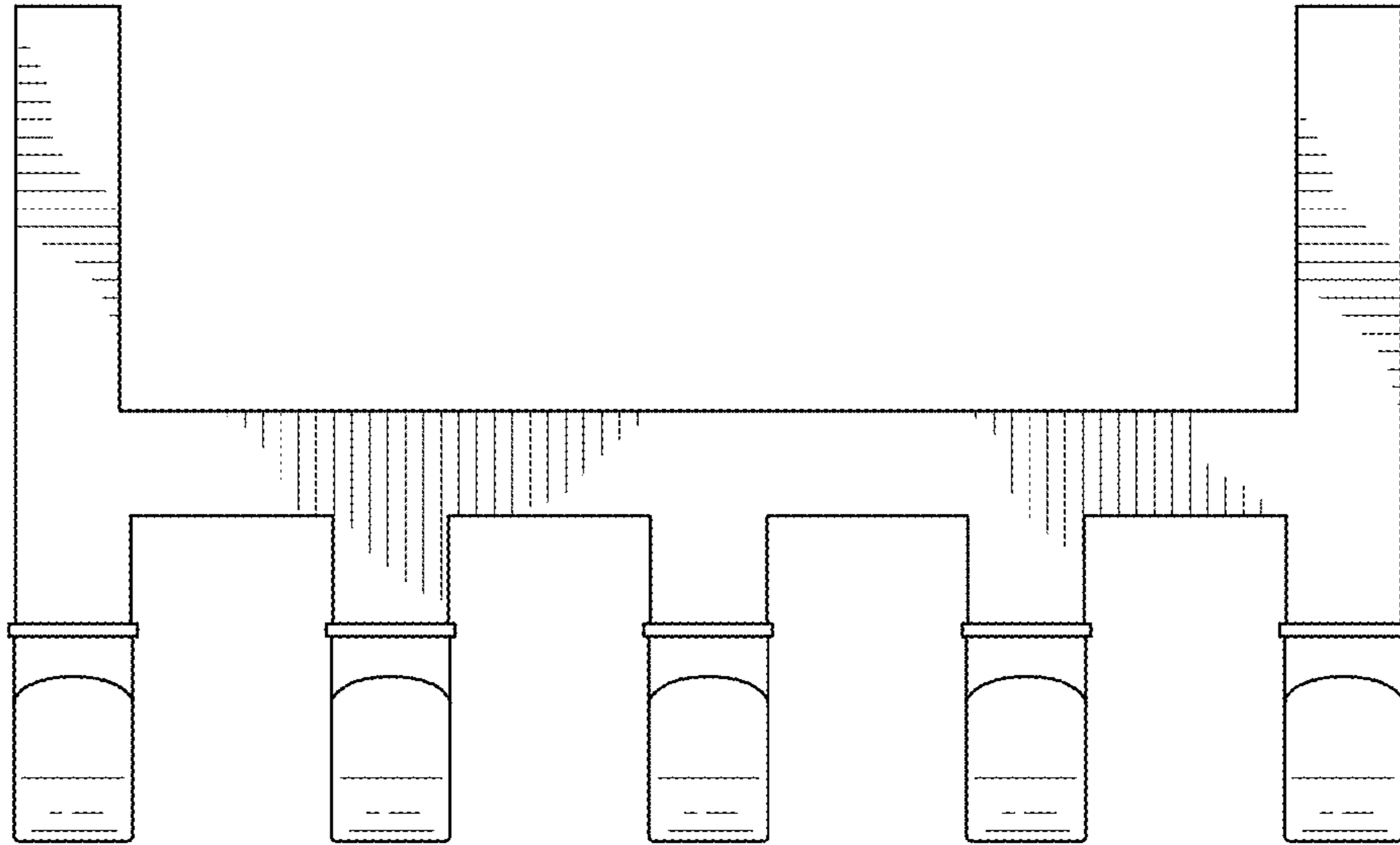


FIG. 2

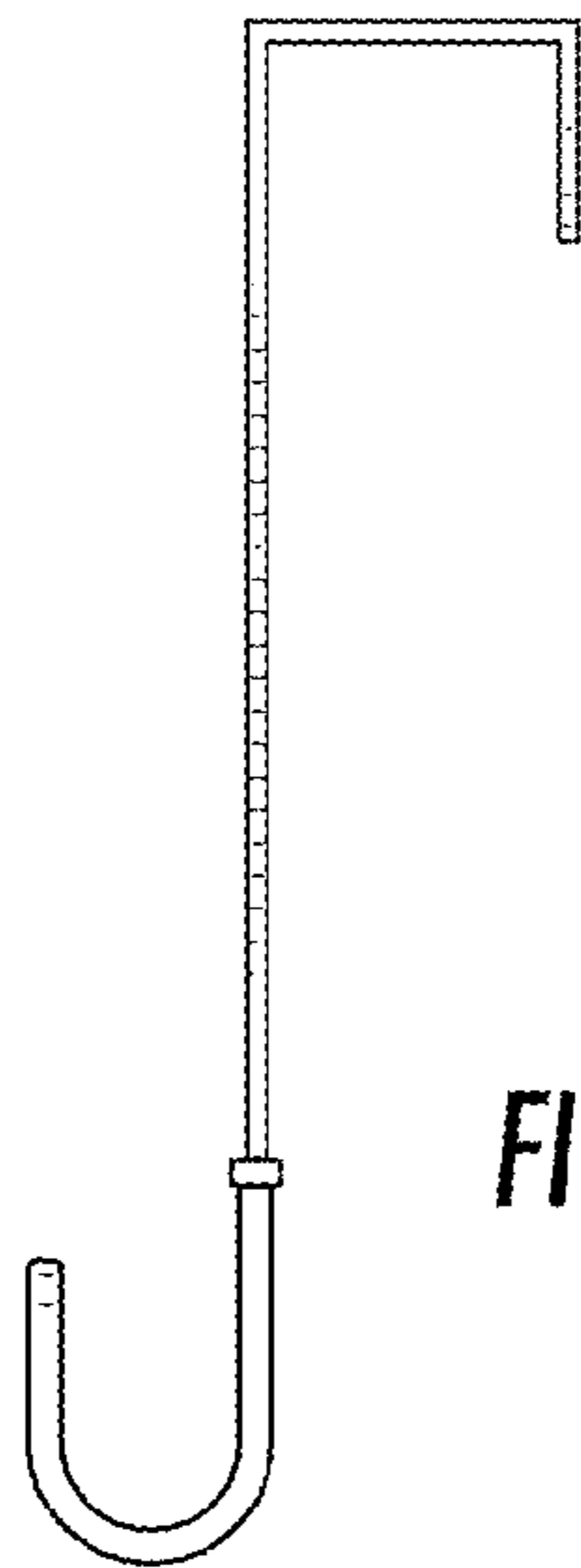


FIG. 3

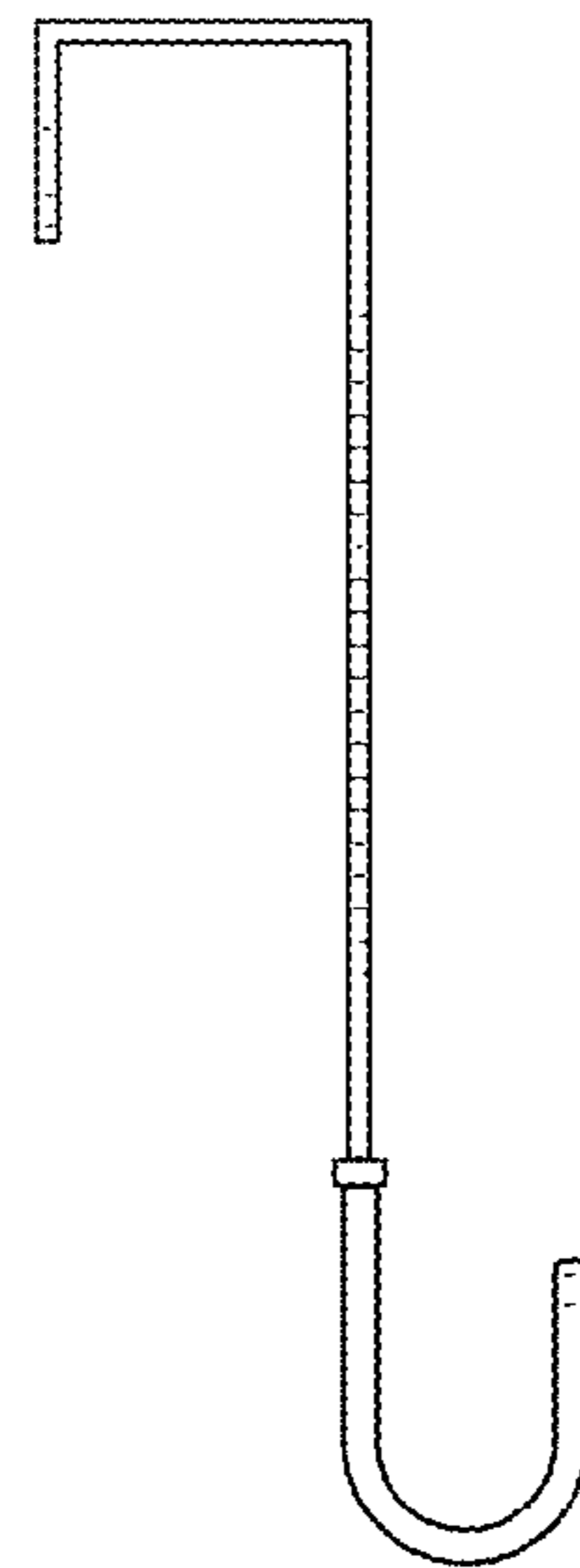


FIG. 4

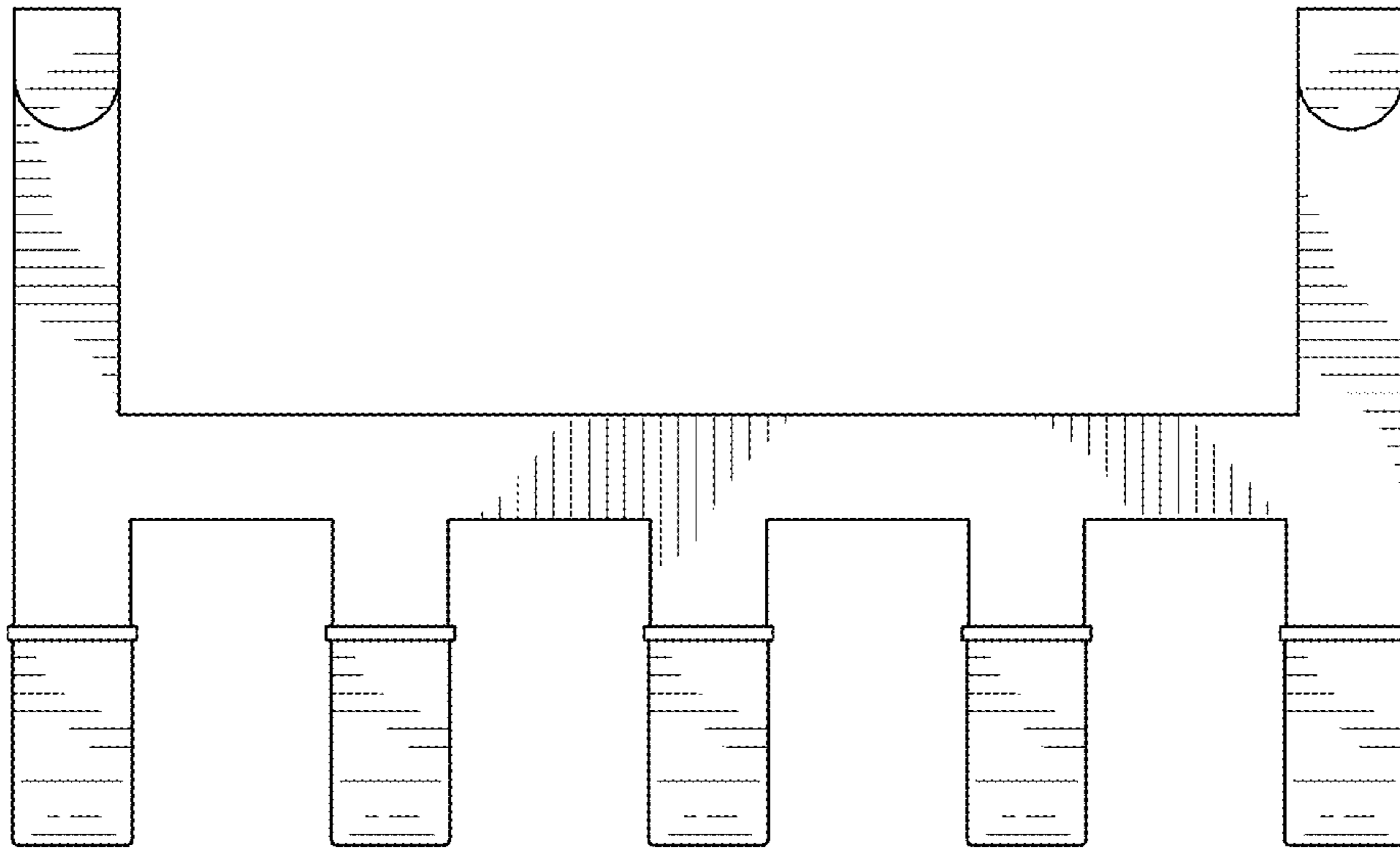


FIG. 5

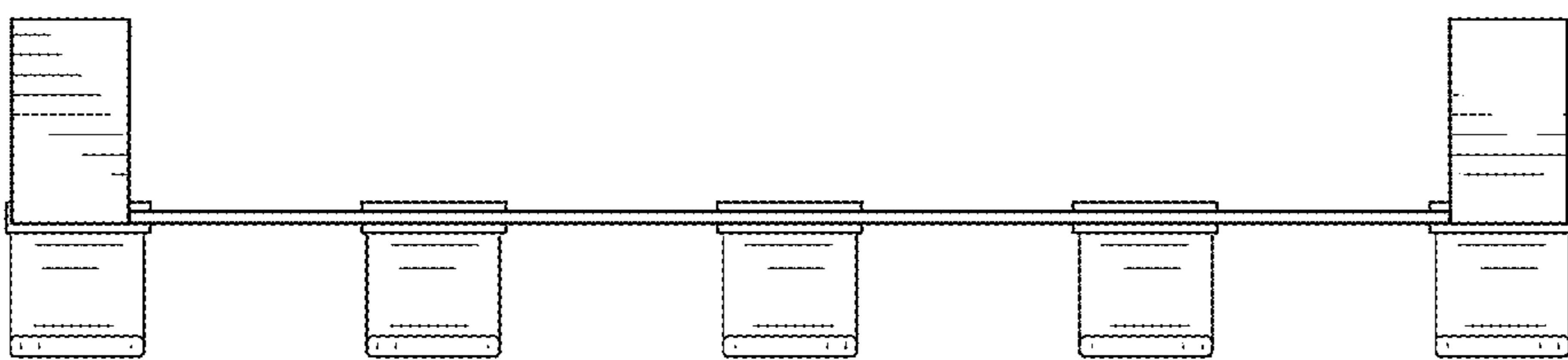


FIG. 6

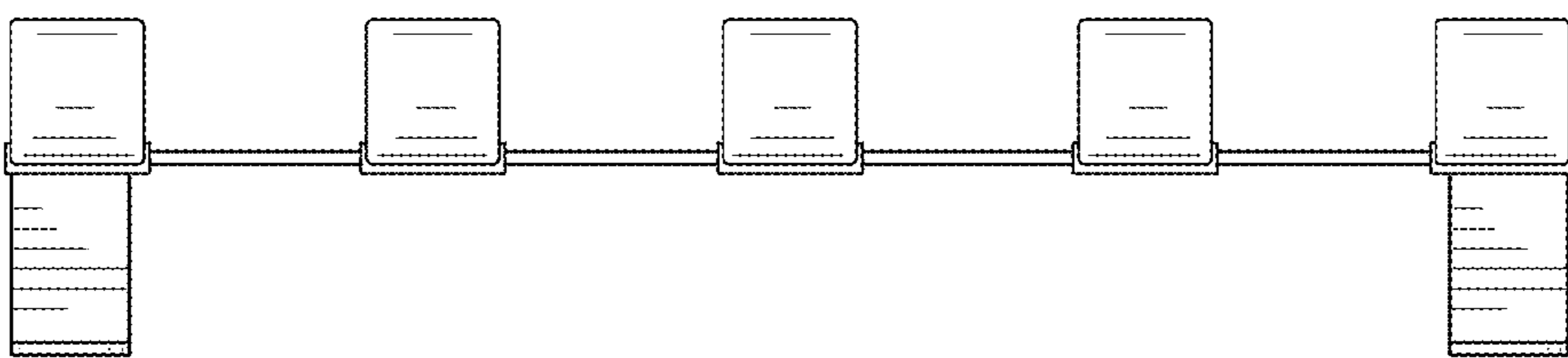


FIG. 7