



US00D743775S

(12) **United States Design Patent**
Jenkins

(10) **Patent No.:** **US D743,775 S**

(45) **Date of Patent:** **** Nov. 24, 2015**

- (54) **CAGE JOINING LOCK**
- (71) Applicant: **John R. Jenkins**, Houston, TX (US)
- (72) Inventor: **John R. Jenkins**, Houston, TX (US)
- (73) Assignee: **UNIVERSITY OF HOUSTON**,
Houston, TX (US)
- (**) Term: **14 Years**
- (21) Appl. No.: **29/502,864**
- (22) Filed: **Sep. 19, 2014**
- (51) **LOC (10) Cl.** **08-07**
- (52) **U.S. Cl.**
USPC **D8/339; D8/330**
- (58) **Field of Classification Search**
USPC D8/330, 331, 338, 339, 342, 341, 382,
D8/384; 70/20, 23, 15, 25, 26, 27, 28, 30,
70/57.1, 51, 233, 465, 466; 282/36, 98,
282/137, 158, 262, 264, 352
CPC E05B 9/02; E05B 15/00; E05B 17/00;
E05B 55/00; E05B 59/00; E05B 61/00;
E05B 63/00; E05B 71/00; E05B 75/00
See application file for complete search history.

4,276,841	A *	7/1981	Weisz	112/317
5,839,767	A *	11/1998	Piltingsrud	292/336.3
7,231,759	B2 *	6/2007	Benecke	59/78
7,243,455	B2 *	7/2007	Jurk	42/94
7,251,923	B2 *	8/2007	Nuding et al.	59/85
D553,473	S *	10/2007	Neri et al.	D8/339
D589,780	S *	4/2009	Fernandez	D8/330
7,857,550	B2 *	12/2010	Heindl et al.	405/279
D719,814	S *	12/2014	Lin	D8/339

* cited by examiner

Primary Examiner — Prabhakar Deshmukh
(74) *Attorney, Agent, or Firm* — Winstead PC

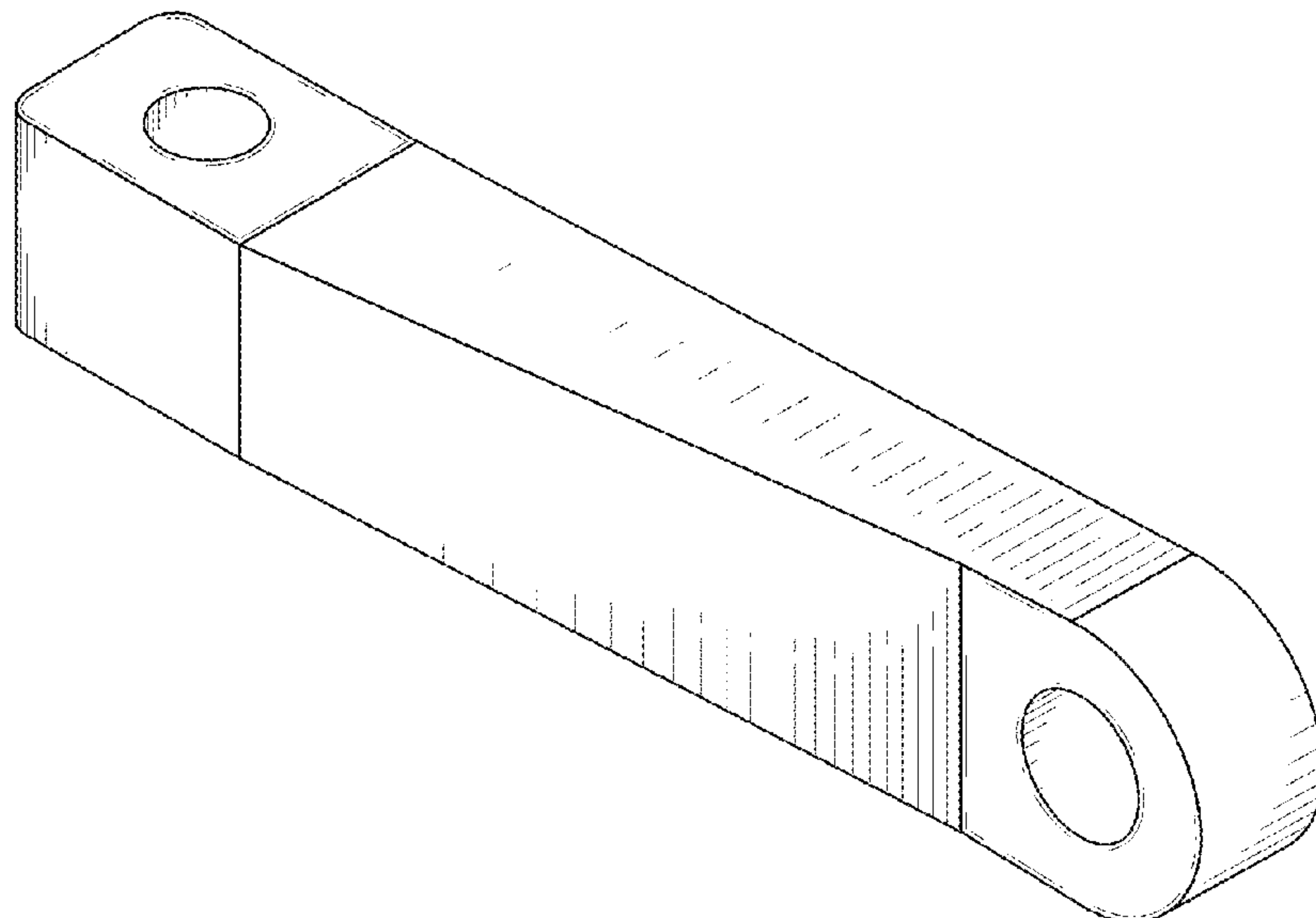
(57) **CLAIM**
We claim the ornamental design for a cage joining lock, as shown and described.

DESCRIPTION

FIG. 1 is a top plan view of a cage joining lock showing my new design;
FIG. 2 is a front elevational view thereof;
FIG. 3 is a left side elevational view thereof;
FIG. 4 is a right side elevational view thereof;
FIG. 5 is a rear elevational view thereof;
FIG. 6 is a bottom plan view thereof; and,
FIG. 7 is a perspective view thereof.
The dashed lines are for the purpose of illustrating optional portions of the cage joining lock and form no part of the claimed design. The broken lines on the surface portions indicate contour and not surface decoration.

1 Claim, 2 Drawing Sheets

- (56) **References Cited**
U.S. PATENT DOCUMENTS
2,452,151 A * 10/1948 Robins 70/93
3,278,213 A * 10/1966 March 292/263
3,471,185 A * 10/1969 Parr 403/60
4,194,757 A * 3/1980 Lucas et al. 172/439



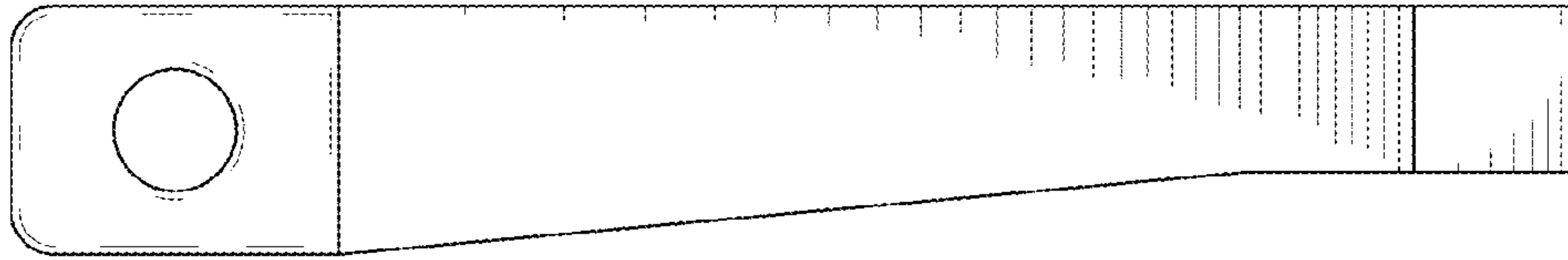


FIG. 1

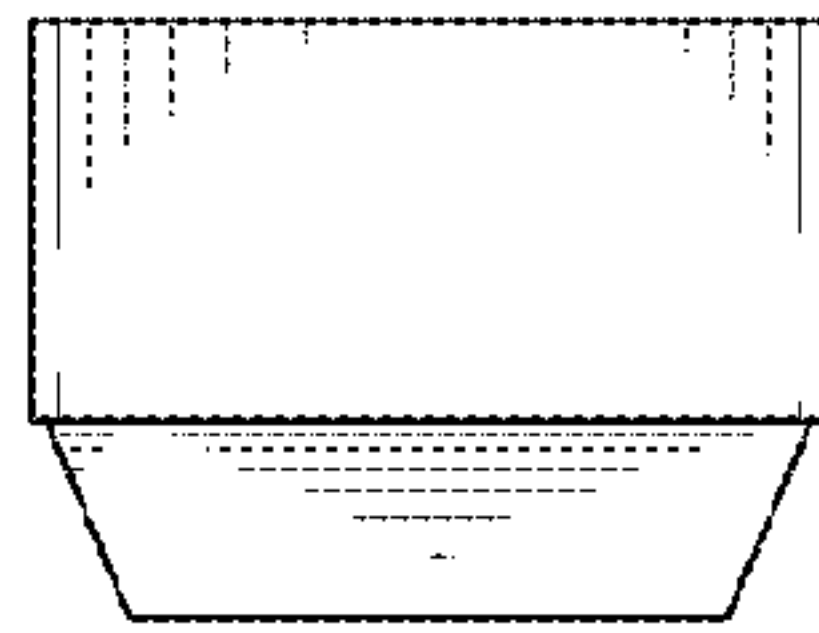


FIG. 2

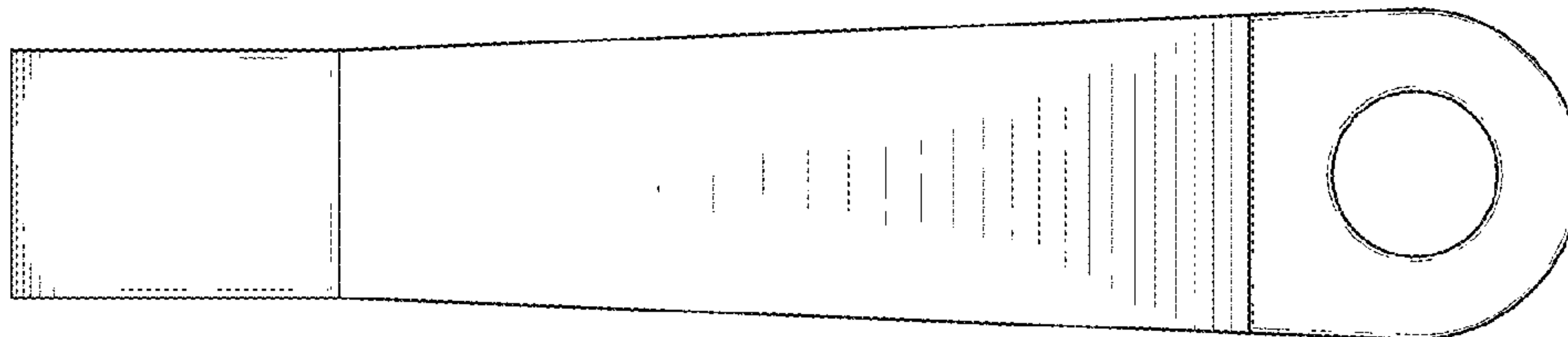


FIG. 3

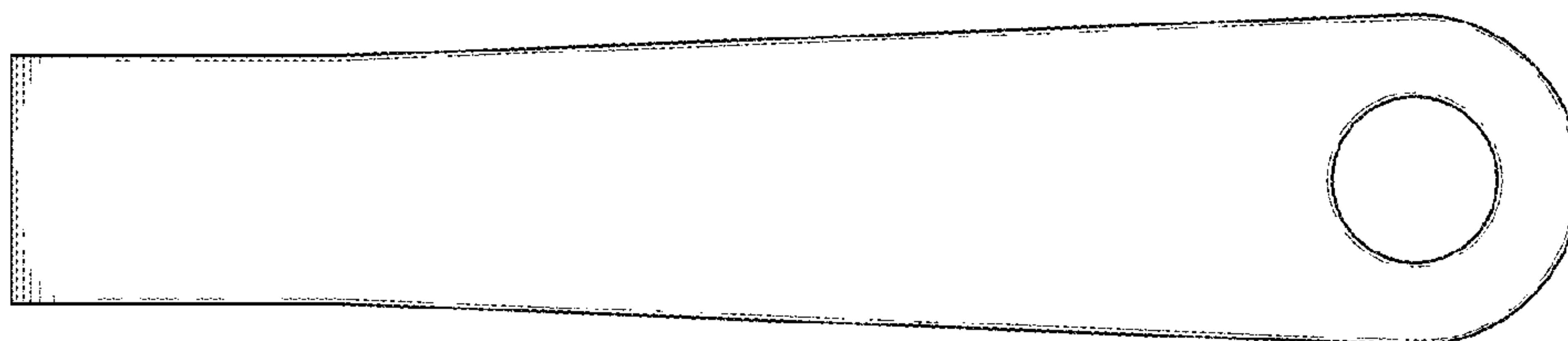


FIG. 4

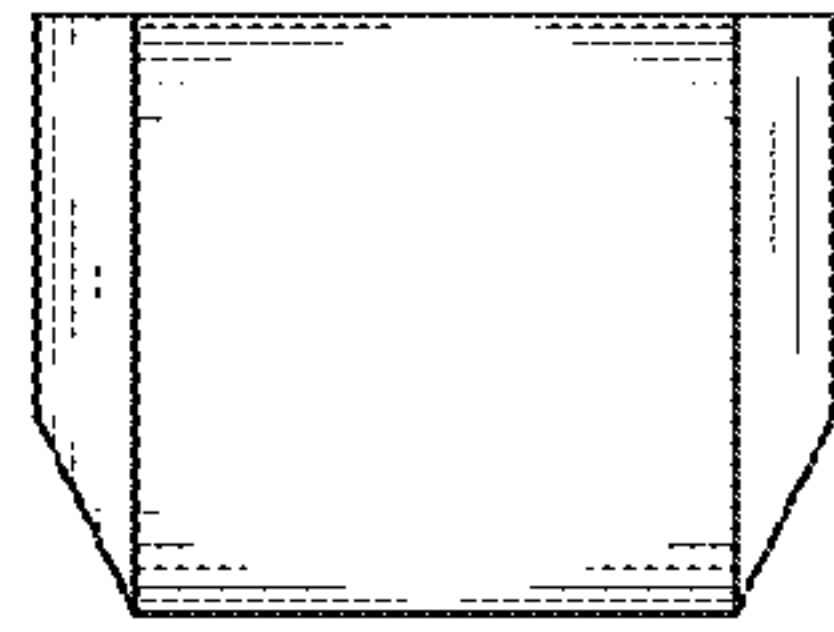


FIG. 5

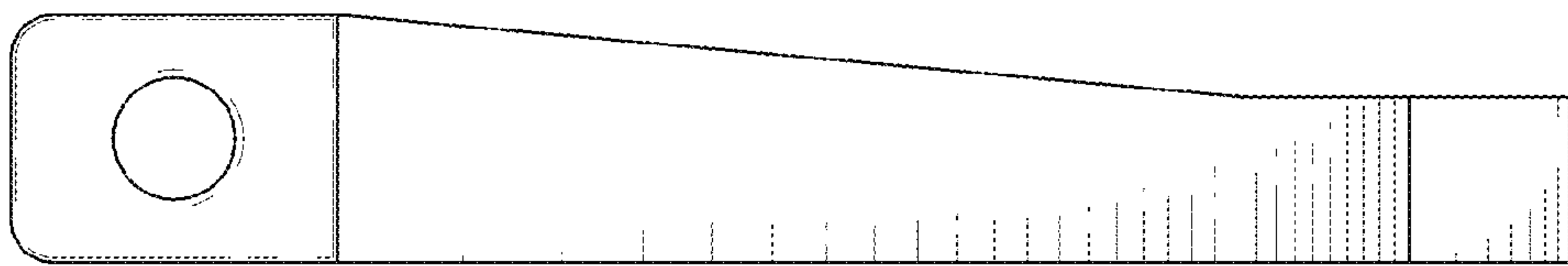


FIG. 6

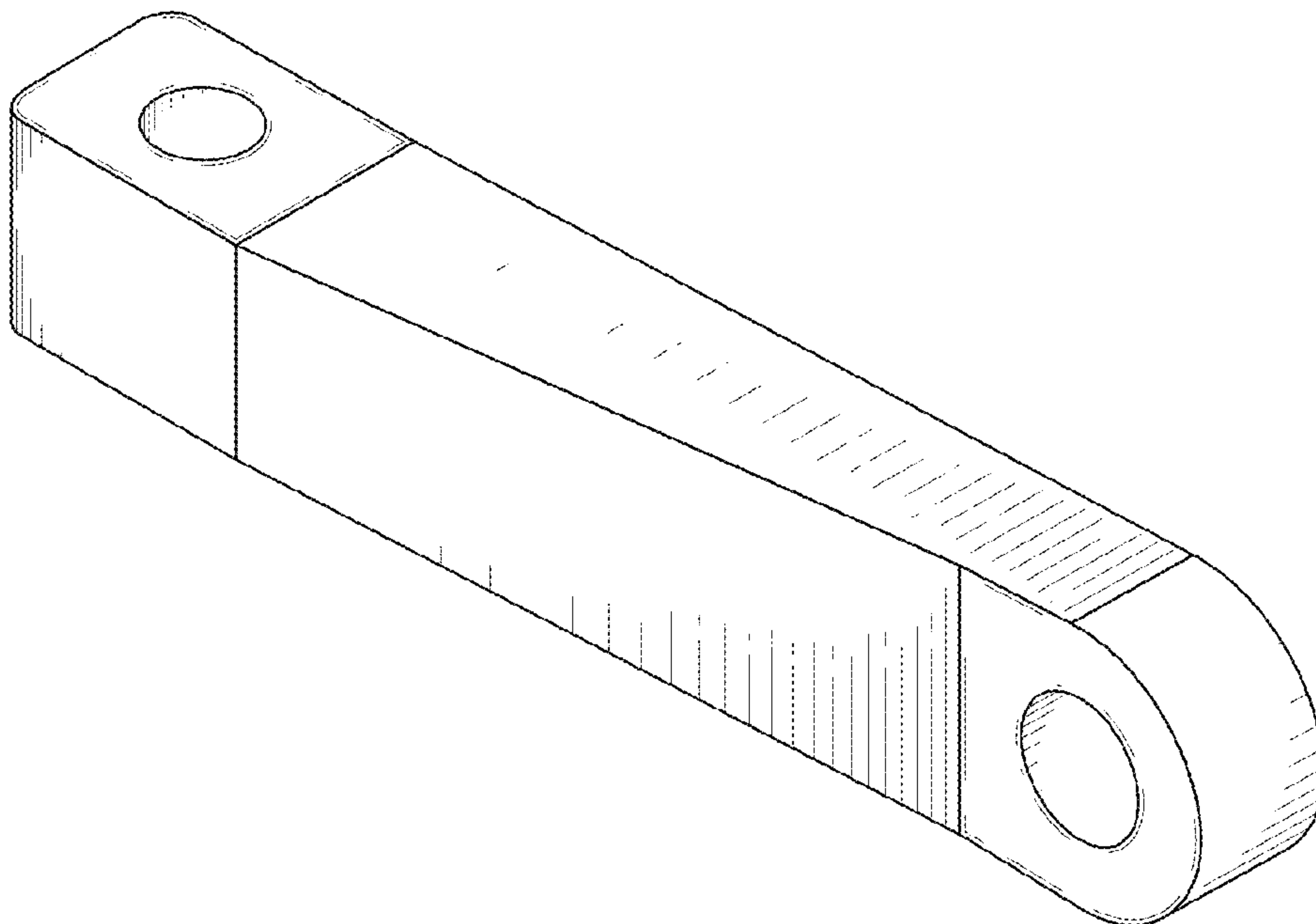


FIG. 7