



US00D743773S

(12) **United States Design Patent**
Shah et al.

(10) **Patent No.:** **US D743,773 S**

(45) **Date of Patent:** **** Nov. 24, 2015**

(54) **DOOR LATCH**

(56)

References Cited

U.S. PATENT DOCUMENTS

(71) Applicant: **ARCHITECTURAL BUILDERS
HARDWARE MFG., INC.**, Itasca, IL
(US)

3,107,113	A *	10/1963	Sconzo	292/228
5,475,996	A *	12/1995	Chen	70/279.1
D365,976	S *	1/1996	Chiu	D8/330
5,881,585	A *	3/1999	Kang	70/107
5,987,945	A *	11/1999	Ruano Aramburu	70/277
D433,920	S *	11/2000	Chang	D8/331
6,378,344	B1 *	4/2002	Gartner	70/278.1
D479,682	S *	9/2003	Frolov et al.	D8/331
6,733,050	B1 *	5/2004	Yao	292/169
D502,859	S *	3/2005	Peng et al.	D8/331
D512,899	S *	12/2005	Oskamp et al.	D8/331
D545,172	S *	6/2007	Kaiser et al.	D8/331
D584,594	S *	1/2009	Marko	D8/331

(72) Inventors: **Ankit Kirti Shah**, Chicago, IL (US);
Kirti Shah, South Barrington, IL (US)

(73) Assignee: **Architectural Builders Hardware
Mfg., Inc.**, Itasca, IL (US)

(**) Term: **14 Years**

* cited by examiner

(21) Appl. No.: **29/502,680**

Primary Examiner — Prabhakar Deshmukh

(22) Filed: **Sep. 18, 2014**

(74) *Attorney, Agent, or Firm* — Greer, Burns & Crain, Ltd.

(51) **LOC (10) Cl.** **08-07**

(57) **CLAIM**

The ornamental design for a door latch, as shown and described.

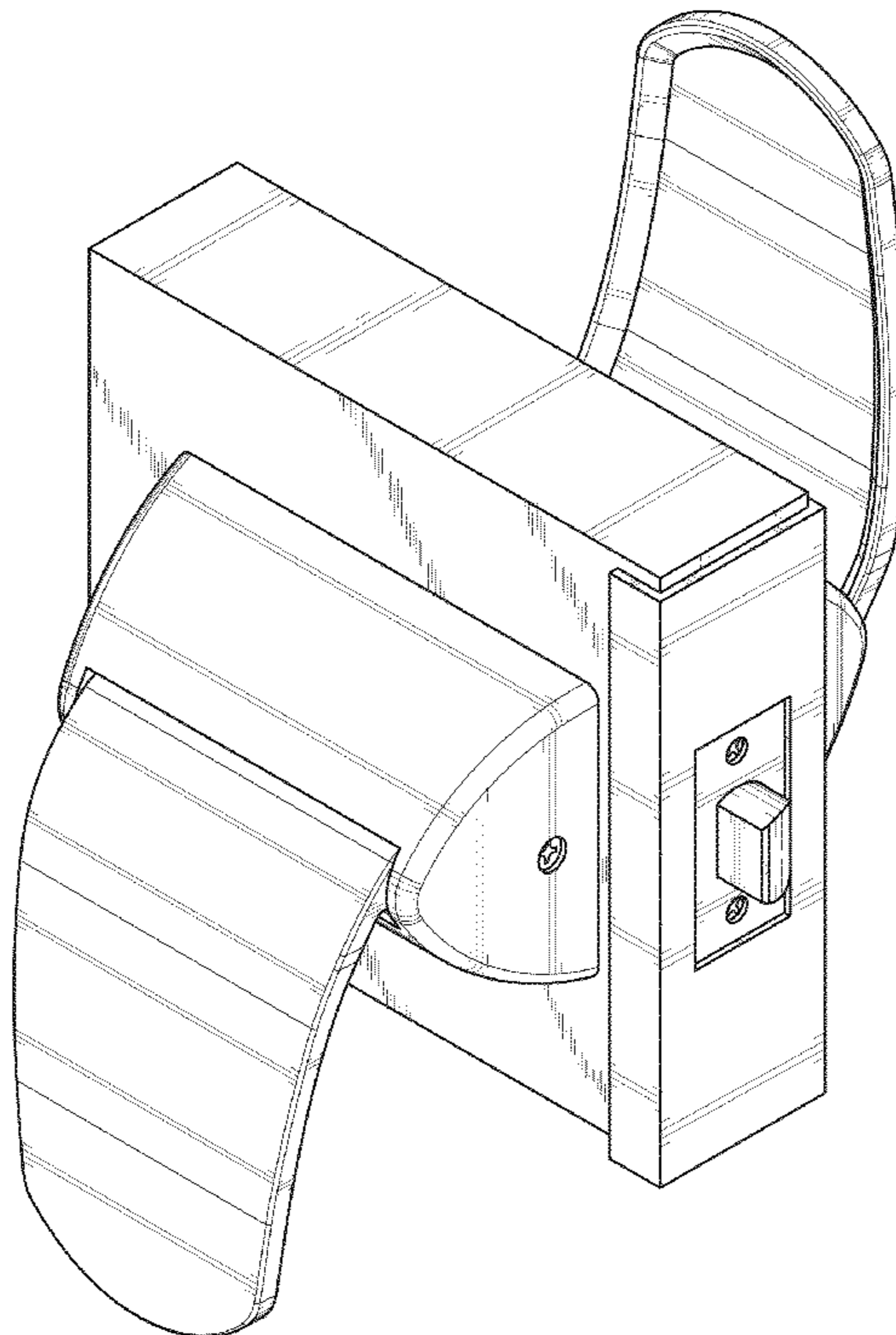
(52) **U.S. Cl.**
USPC **D8/331**

DESCRIPTION

(58) **Field of Classification Search**
USPC D8/330, 331, 336, 338, 339, 340, 343,
D8/300–303; 70/14, 2, 51, 57, 57.1, 91,
70/107, 141, 214, 78, 278, 1, 127, 447;
292/2, 336.3, 348, 357, 358, 359
CPC E05B 49/00; E05B 17/00; E05B 55/00;
E05B 65/00; E05B 1/00; E05B 9/00
See application file for complete search history.

FIG. 1 is a top front perspective view of a door latch showing our new design;
FIG. 2 is a bottom rear perspective view thereof;
FIG. 3 is a front elevational view thereof;
FIG. 4 is a rear elevational view thereof;
FIG. 5 is a right side elevational view thereof;
FIG. 6 is a left side elevational view thereof;
FIG. 7 is a top plan view thereof; and,
FIG. 8 is a bottom plan view thereof.

1 Claim, 8 Drawing Sheets



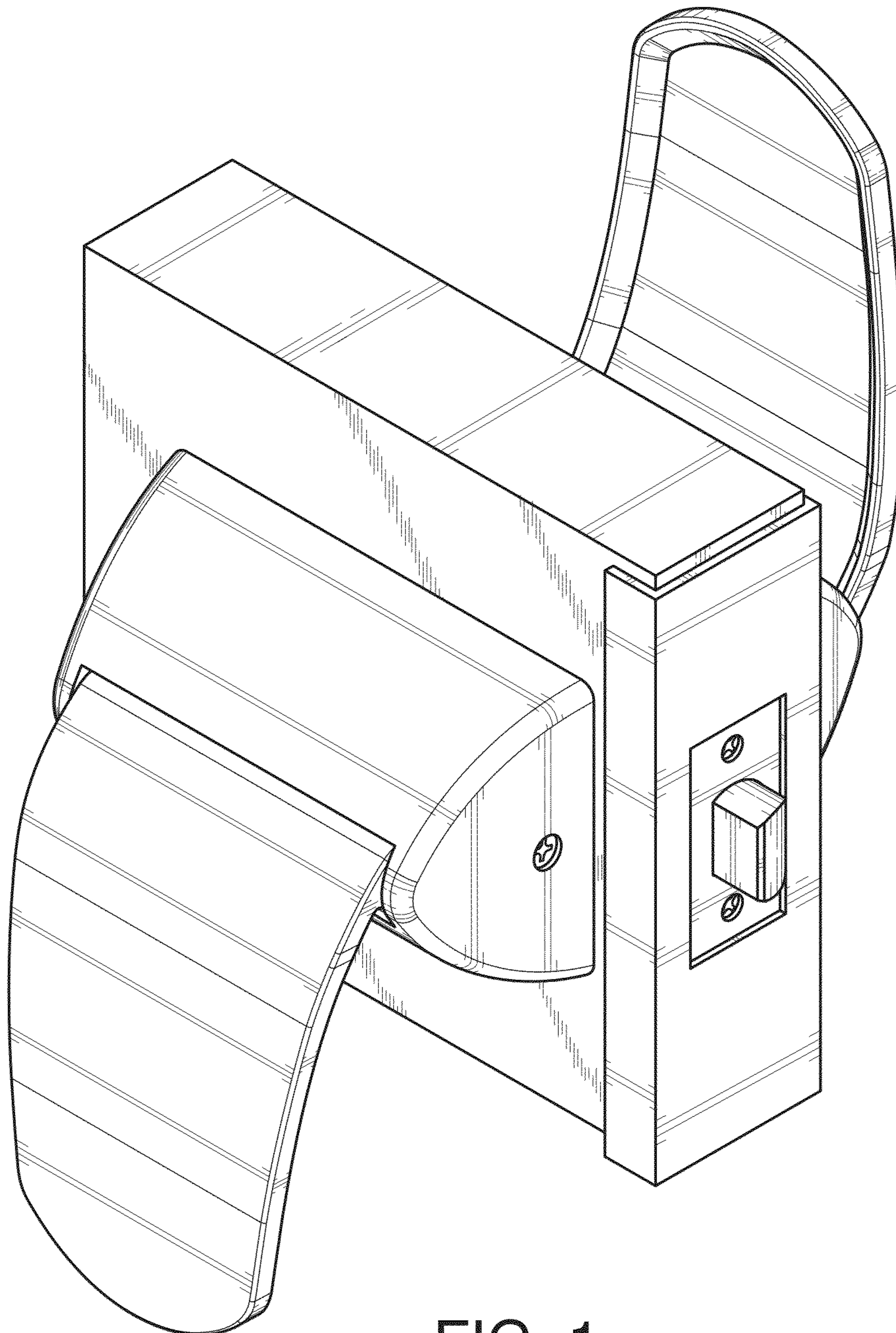


FIG. 1

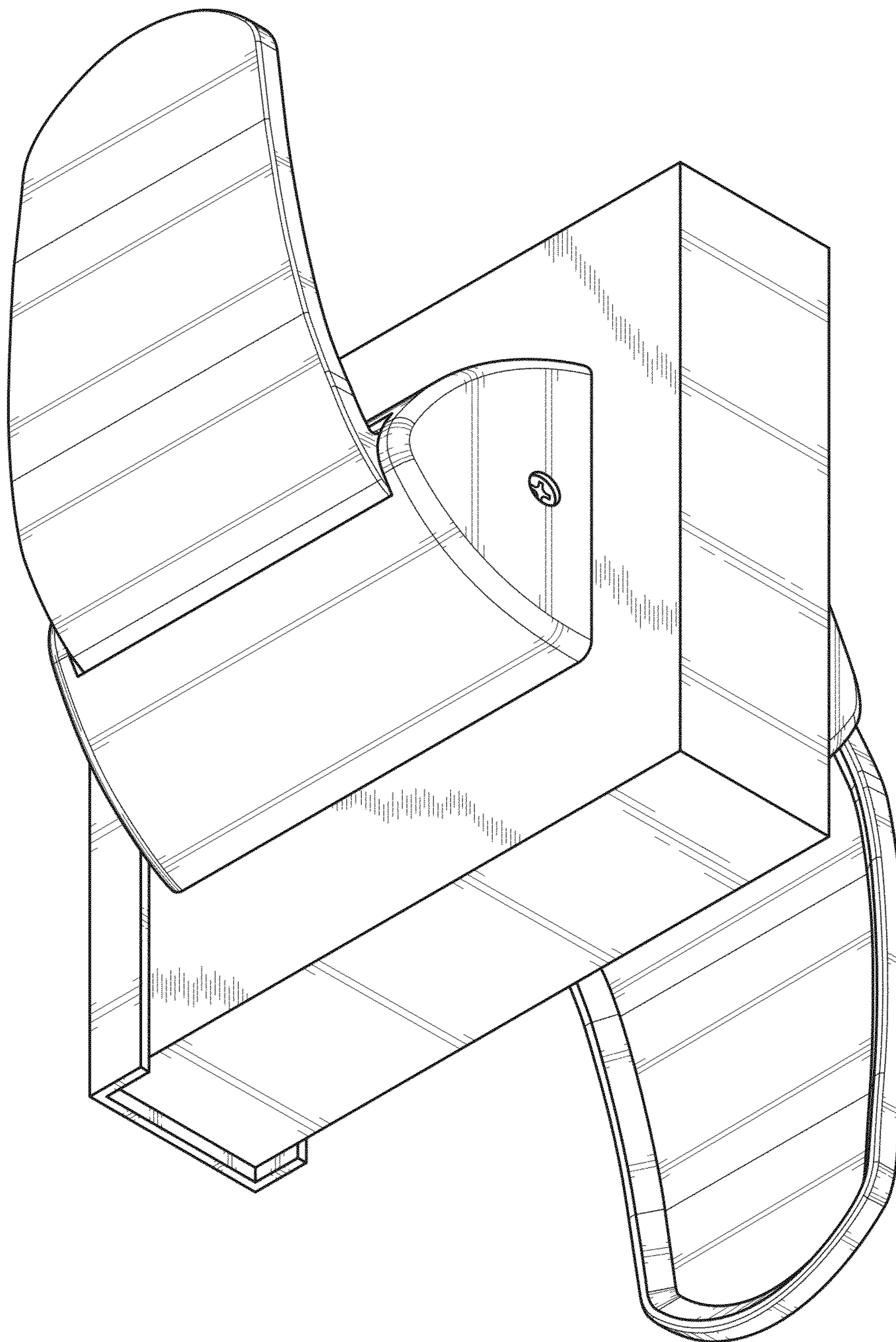


FIG. 2

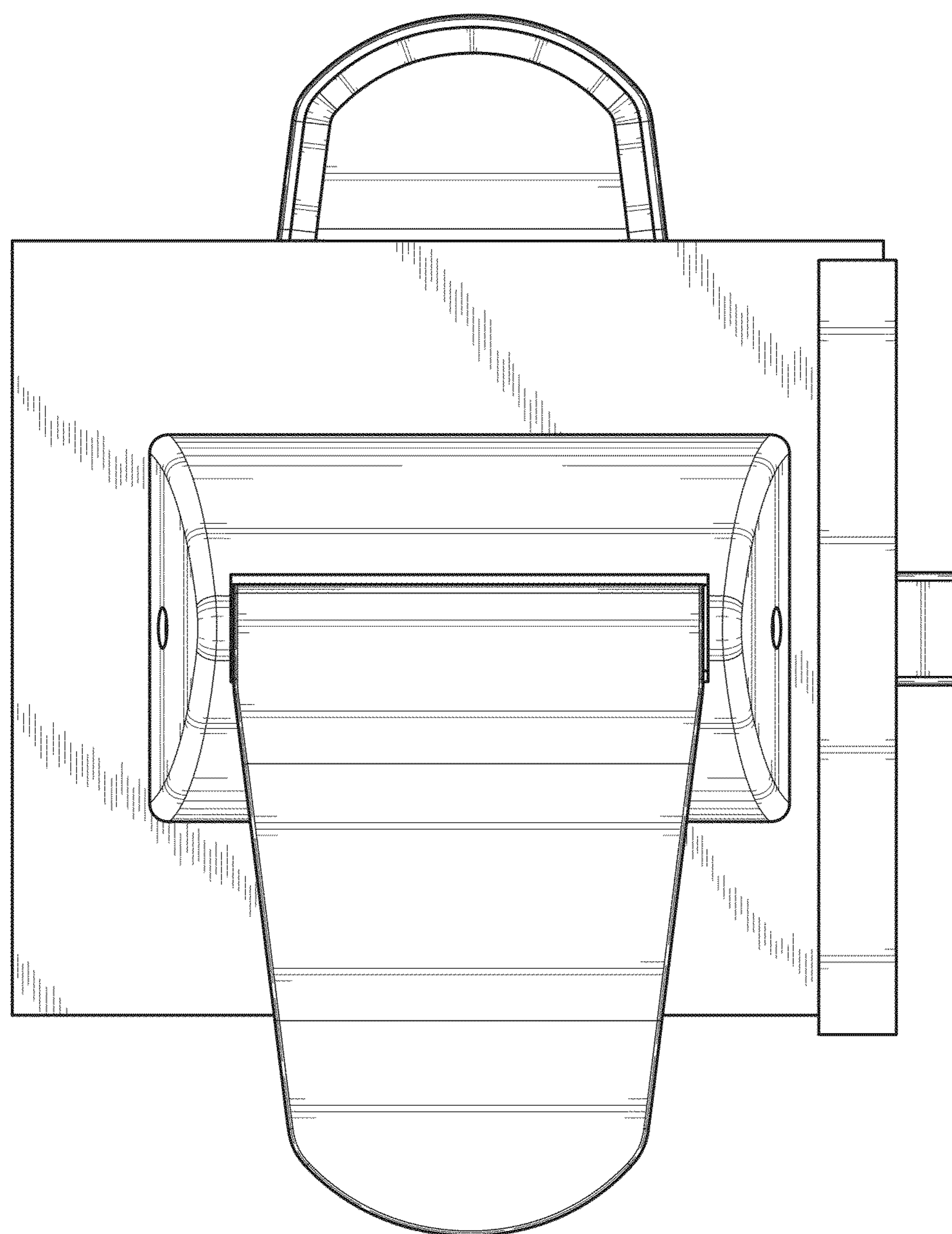


FIG. 3

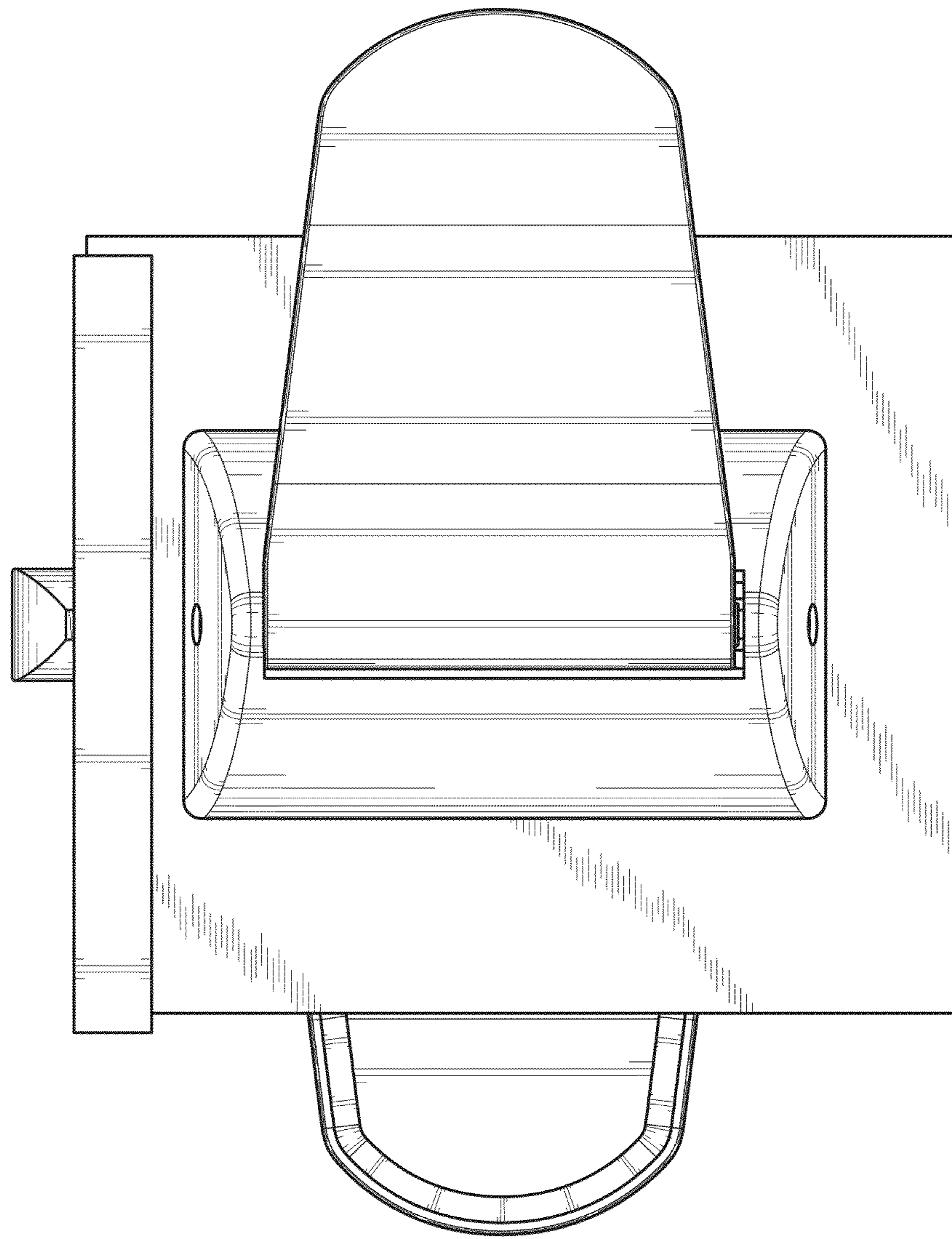


FIG. 4

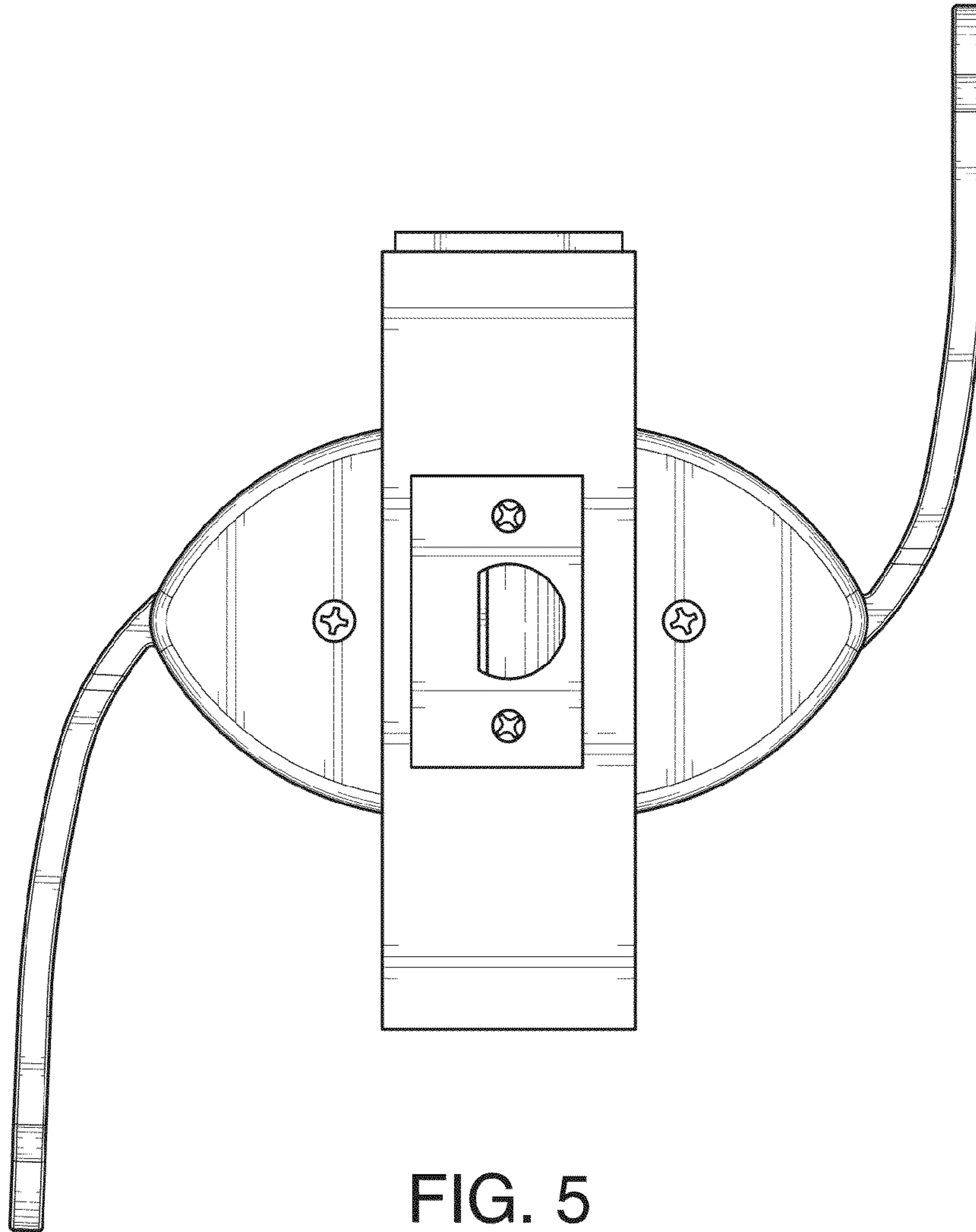


FIG. 5

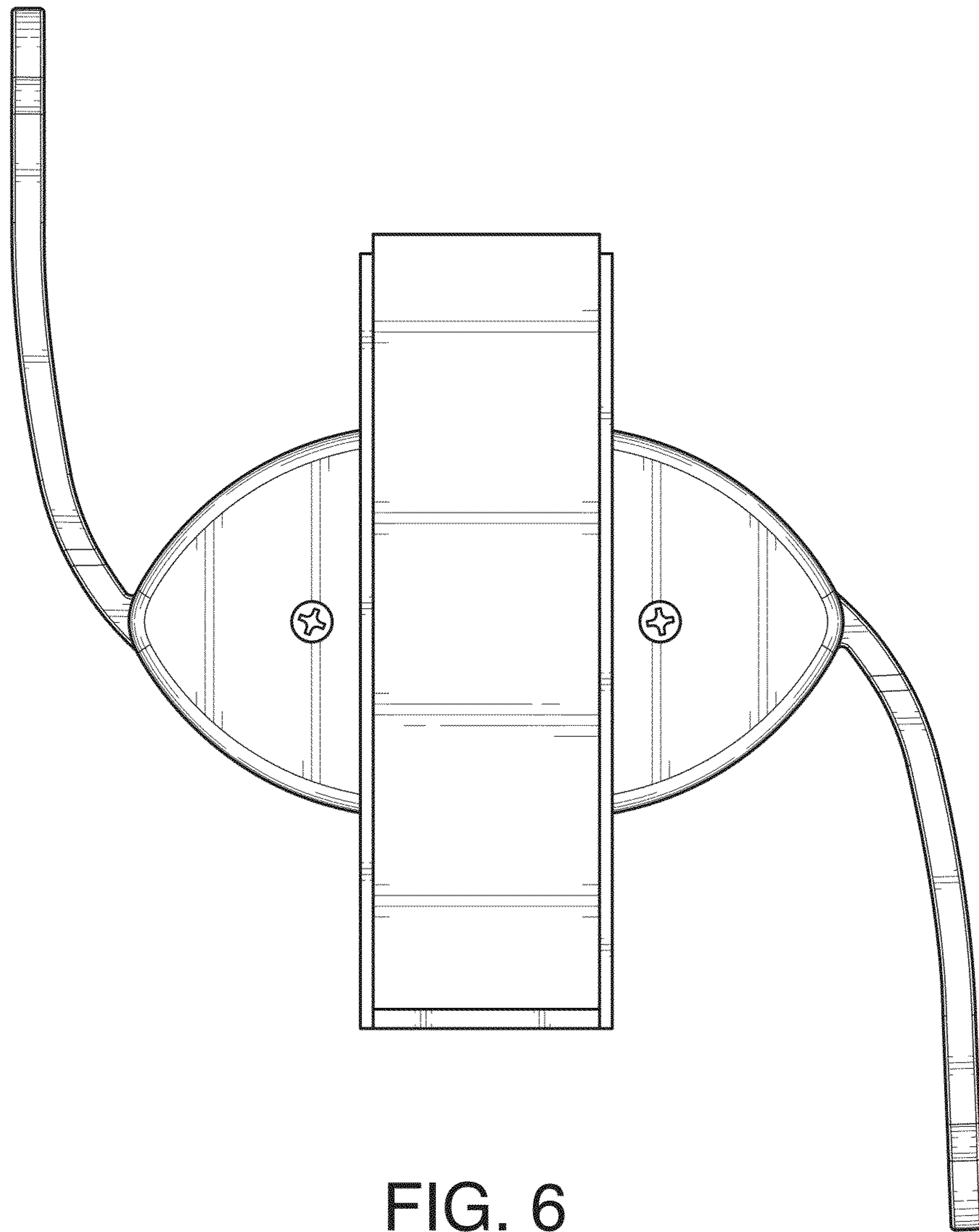


FIG. 6

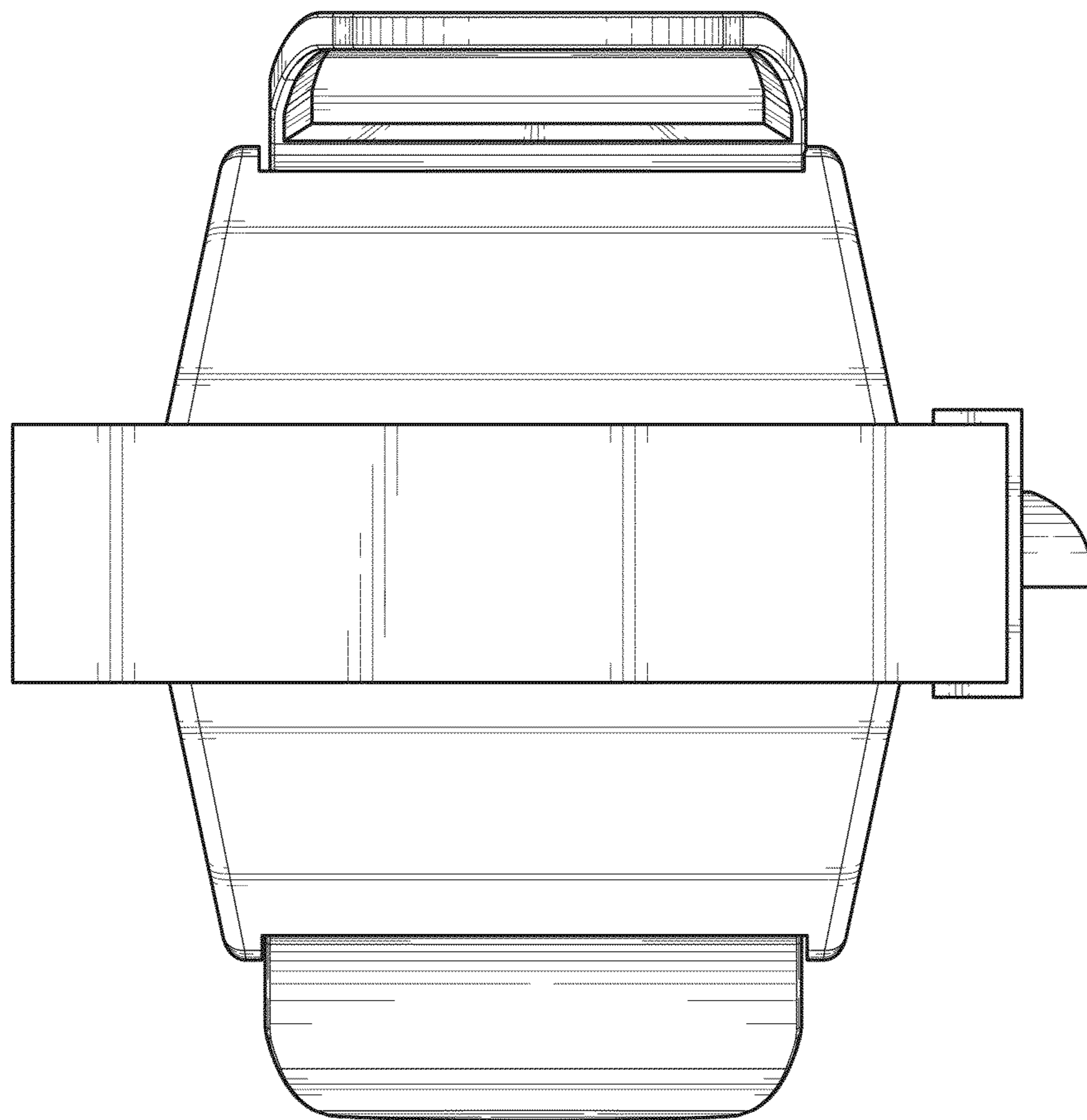


FIG. 7

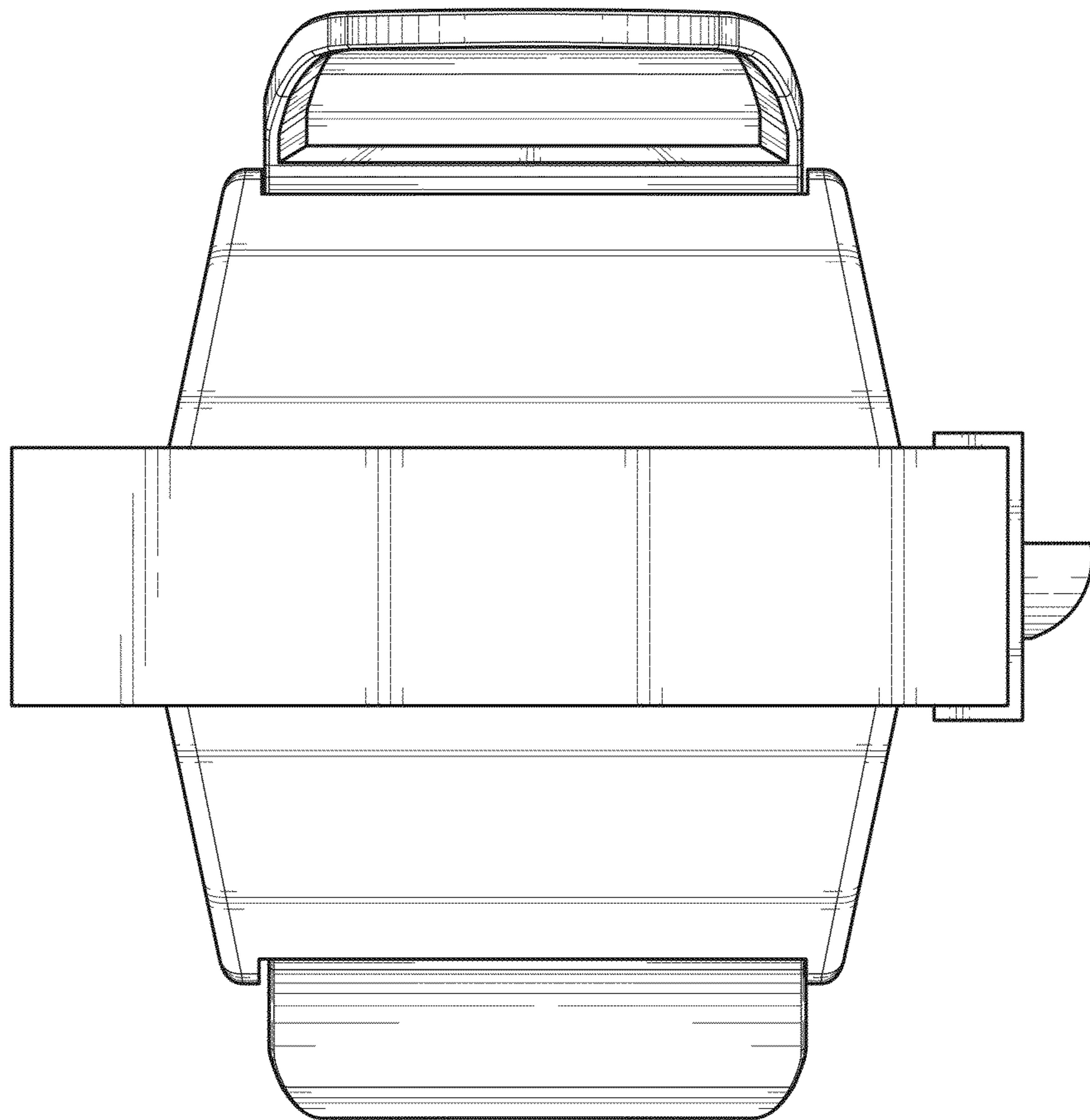


FIG. 8