



US00D743765S

(12) **United States Design Patent**  
**Chen**

(10) **Patent No.:** **US D743,765 S**

(45) **Date of Patent:** **\*\* Nov. 24, 2015**

(54) **GAS HOT AIR GUN HEAD**

7,566,219 B2 \* 7/2009 Lin ..... 431/344  
8,087,927 B2 \* 1/2012 Aronson et al. .... 431/153  
2008/0160471 A1 \* 7/2008 Lin ..... 431/344

(71) Applicant: **Pro-Iroda Industries, Inc.**, Taichung  
(TW)

\* cited by examiner

(72) Inventor: **Jung-Huang Chen**, Hsinchu (TW)

*Primary Examiner* — Phillip S Hyder

(74) *Attorney, Agent, or Firm* — Alan D. Kamrath; Kamrath  
IP Lawfirm, P.A.

(73) Assignee: **Pro-Iroda Industries, Inc.**, Taichung  
(TW)

(57) **CLAIM**

The ornamental design for gas hot air gun head, as shown and  
described.

(\*\*) Term: **14 Years**

**DESCRIPTION**

(21) Appl. No.: **29/497,919**

FIG. 1 is a perspective view of a gas hot air gun head showing  
my new Design, the broken line drawing of the gas hot air gun  
head is for illustrative purposes only and forms no part of the  
claimed design;

(22) Filed: **Jul. 30, 2014**

FIG. 2 is a front view thereof, the broken line drawing of the  
gas hot air gun head is for illustrative purposes only and forms  
no part of the claimed design;

(51) **LOC (10) Cl.** ..... **08-03**

(52) **U.S. Cl.**

USPC ..... **D8/29.1**; D8/29.2

(58) **Field of Classification Search**

USPC ..... D8/29.1, 29.2, 30; D15/144

CPC ..... F23D 14/28; F23D 14/38; F23D 14/465

See application file for complete search history.

FIG. 3 is a left view thereof, the broken line drawing of the gas  
hot air gun head is for illustrative purposes only and forms no  
part of the claimed design;

FIG. 4 is a right view thereof, the broken line drawing of the  
gas hot air gun head is for illustrative purposes only and forms  
no part of the claimed design;

(56) **References Cited**

**U.S. PATENT DOCUMENTS**

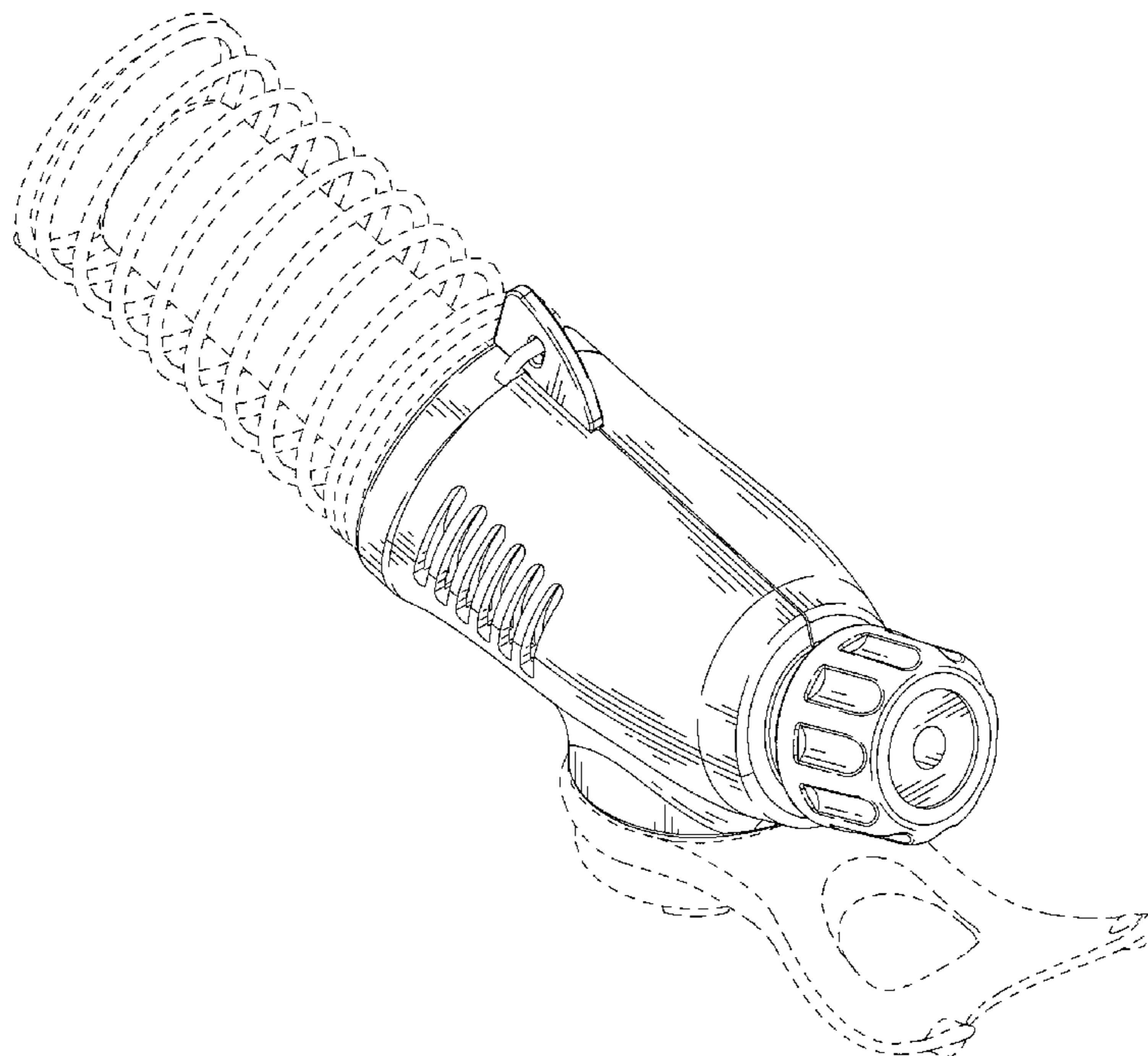
D335,804 S *	5/1993	Burgin	.....	D8/30
D376,302 S *	12/1996	Tsai	.....	D8/29.1
D416,920 S *	11/1999	Chou	.....	D15/144
D456,428 S *	4/2002	Aronson et al.	.....	D15/144
D477,507 S *	7/2003	Lin	.....	D8/30
D514,606 S *	2/2006	Picaza	.....	D15/144.2
D587,975 S *	3/2009	Aronson et al.	.....	D8/29.1
7,527,496 B2 *	5/2009	Lin	.....	431/344
D594,300 S *	6/2009	Picaza Ibarrodo	.....	D8/29.1

FIG. 5 is a top view thereof, the broken line drawing of the gas  
hot air gun head is for illustrative purposes only and forms no  
part of the claimed design;

FIG. 6 is a bottom view thereof, the broken line drawing of the  
gas hot air gun head is for illustrative purposes only and forms  
no part of the claimed design; and,

FIG. 7 is perspective view thereof, and shows the gas hot air  
gun head connected with a gas bottle, the broken line drawing  
of the gas hot air gun head is for illustrative purposes only and  
forms no part of the claimed design.

**1 Claim, 7 Drawing Sheets**



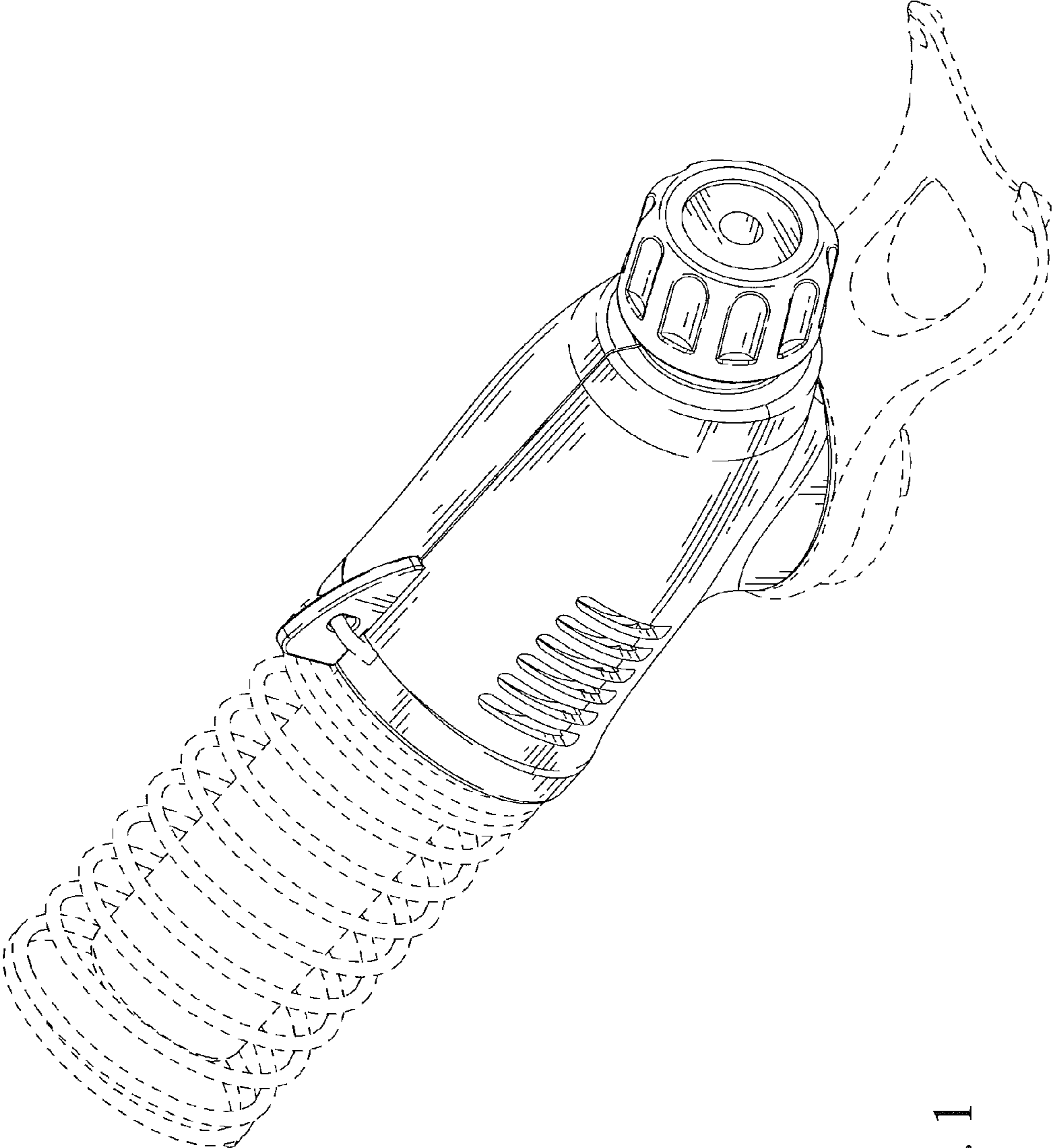


FIG. 1

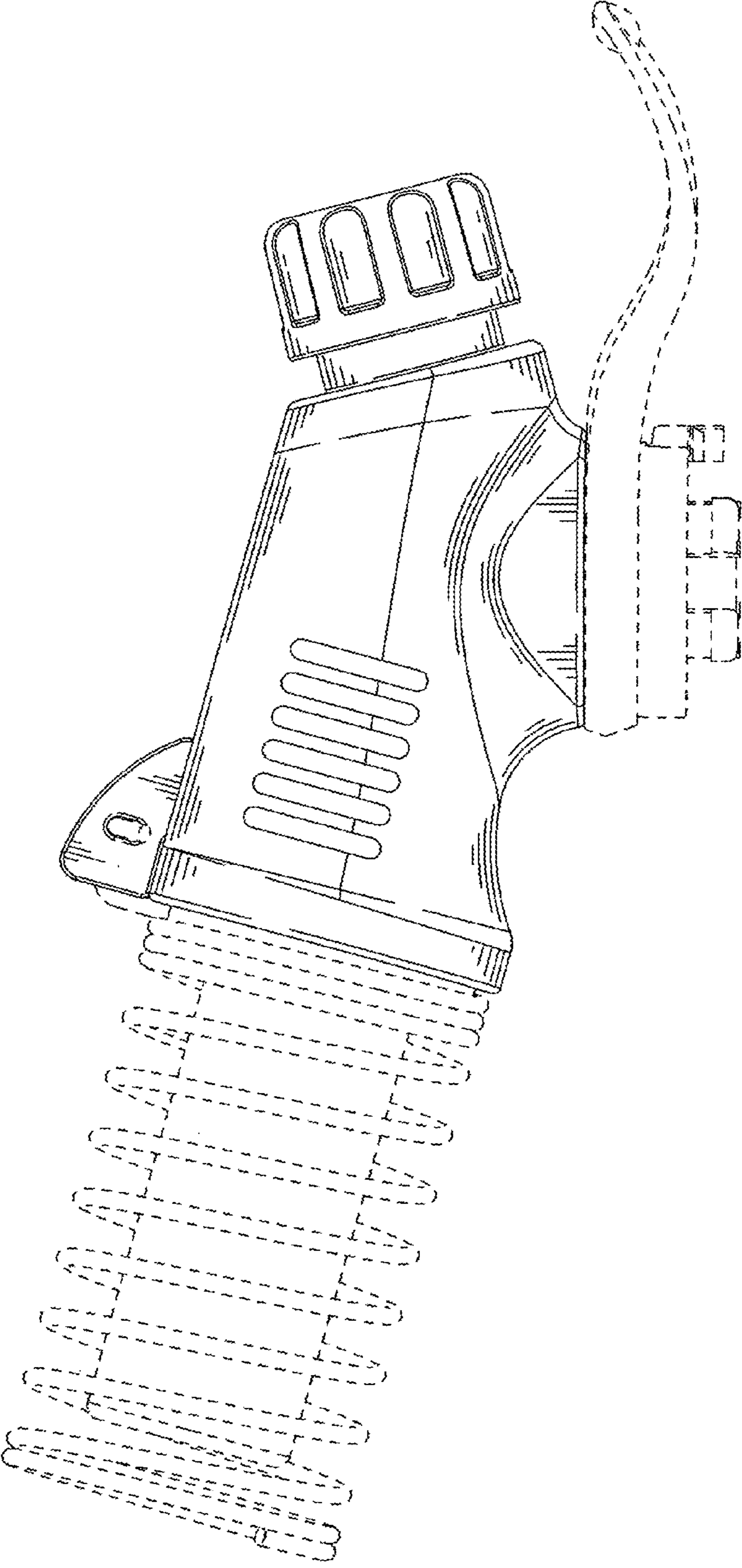


FIG. 2

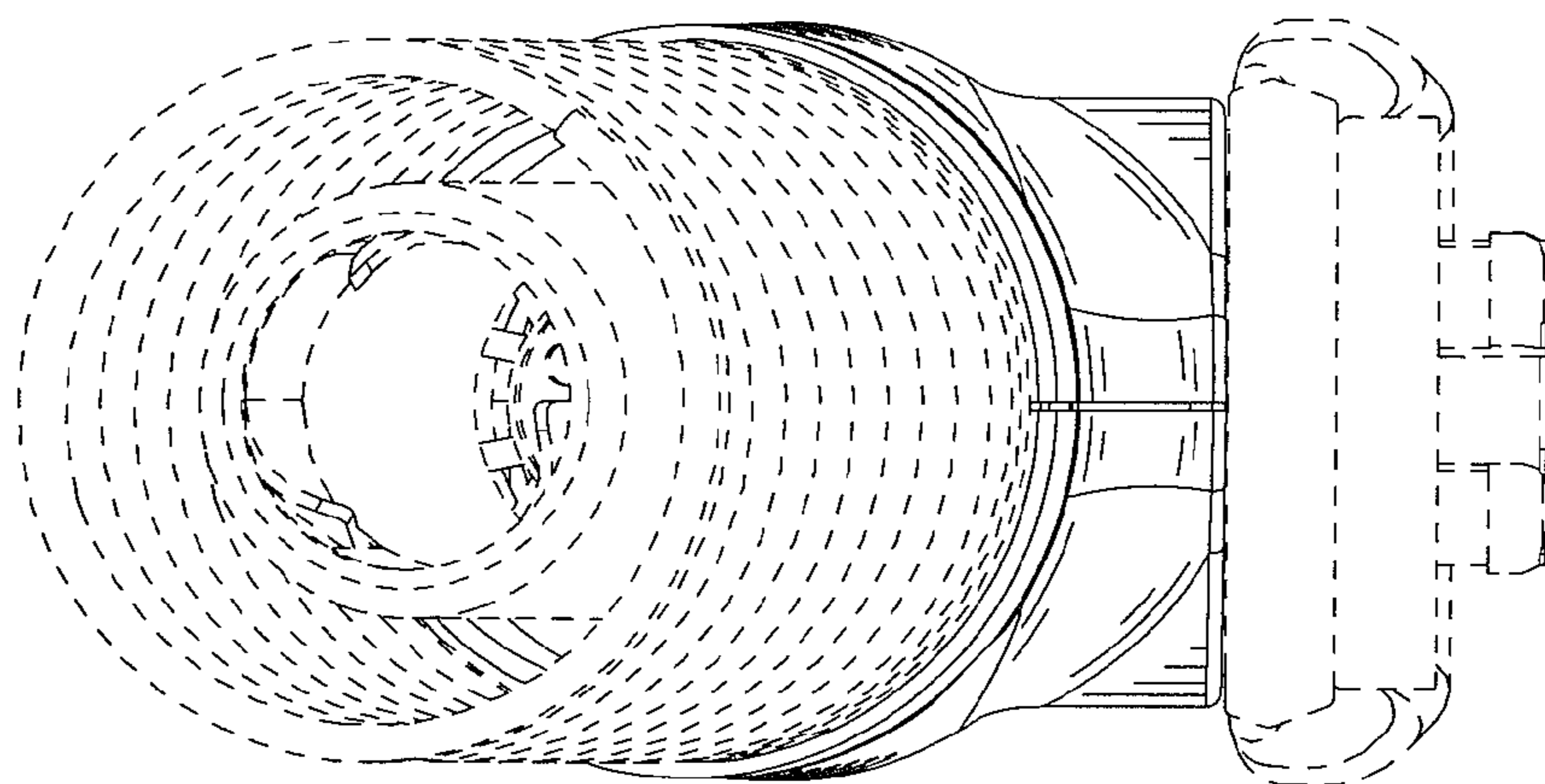


FIG. 3

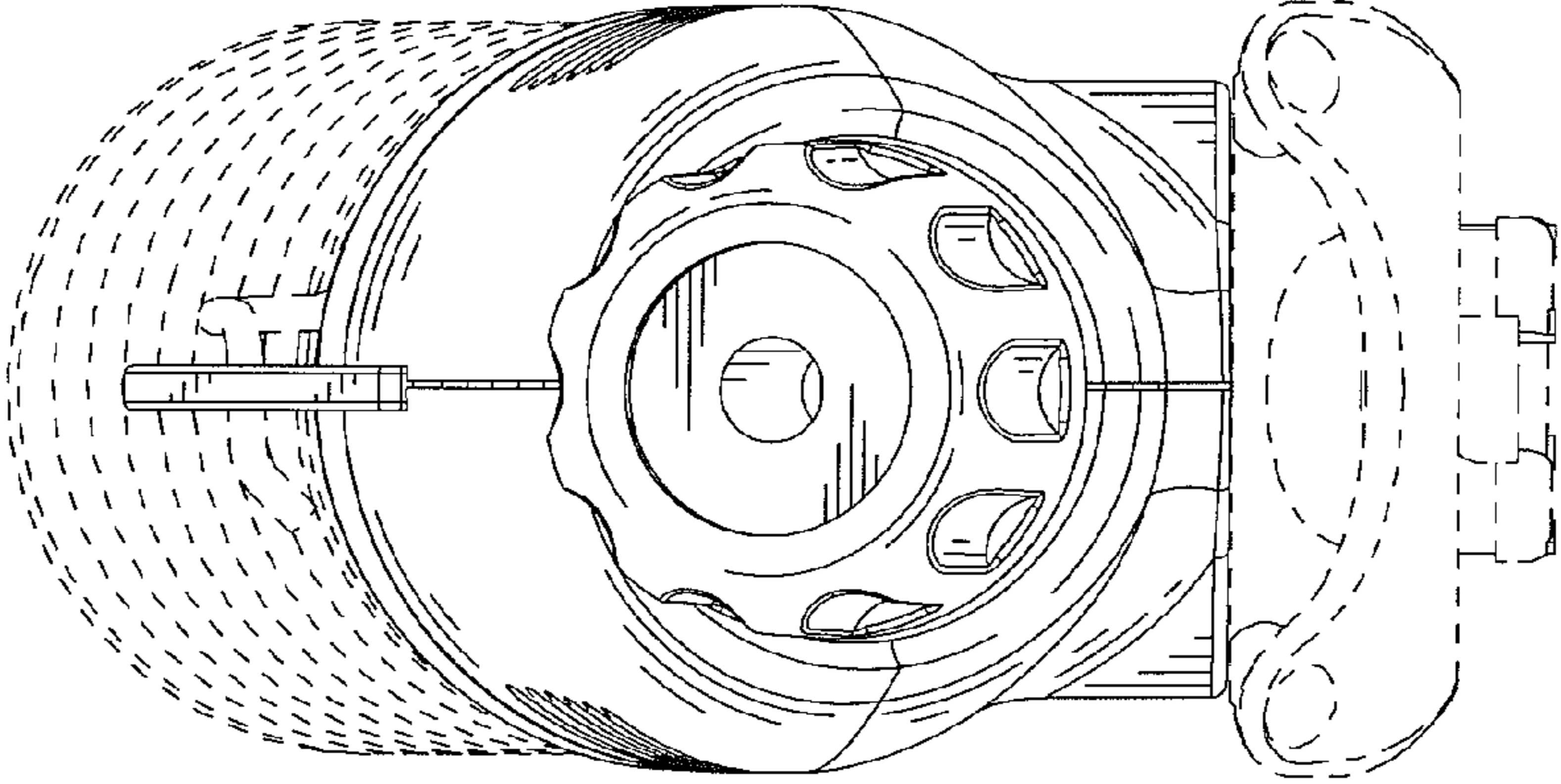


FIG. 4

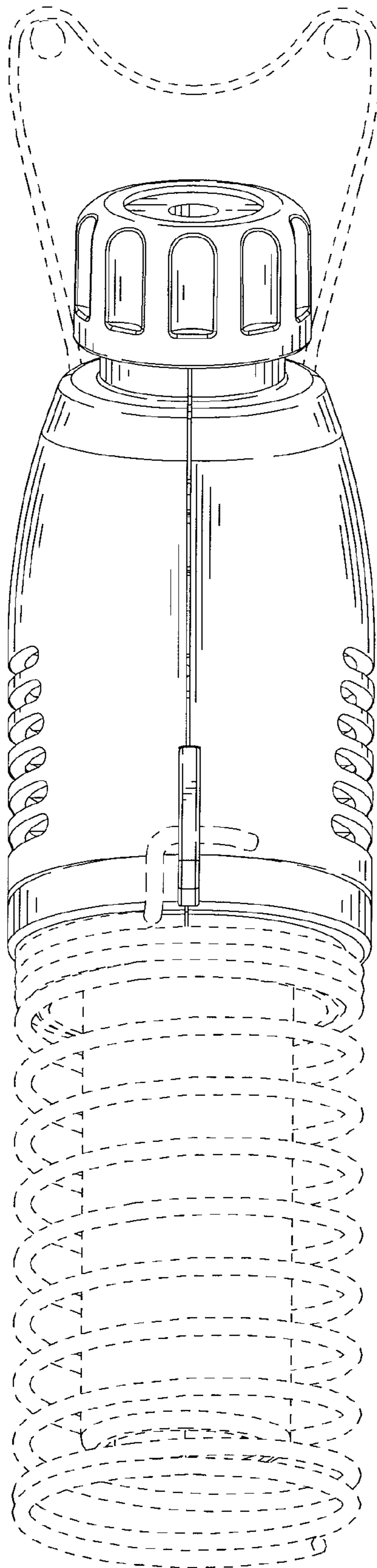


FIG. 5

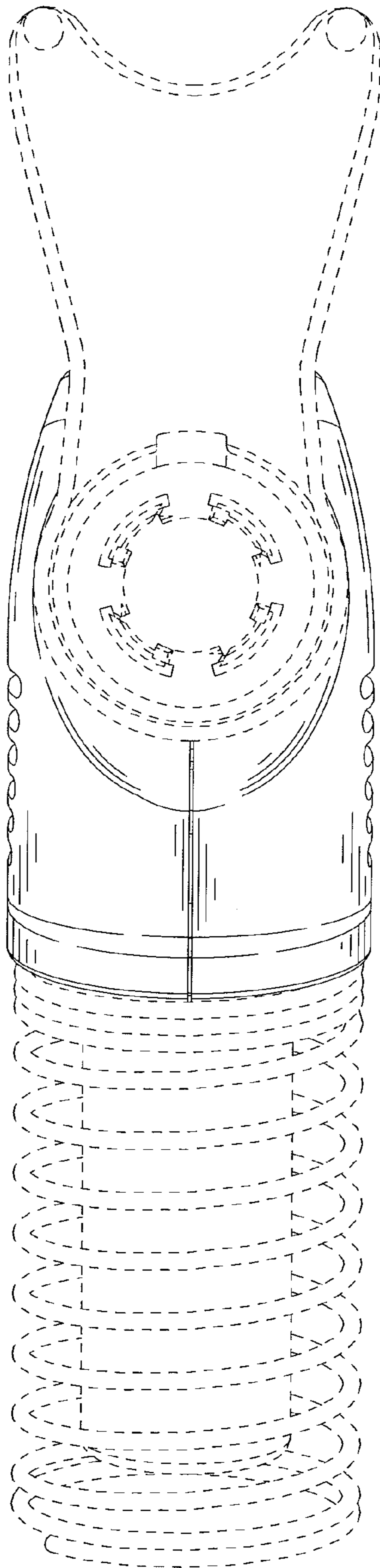


FIG. 6

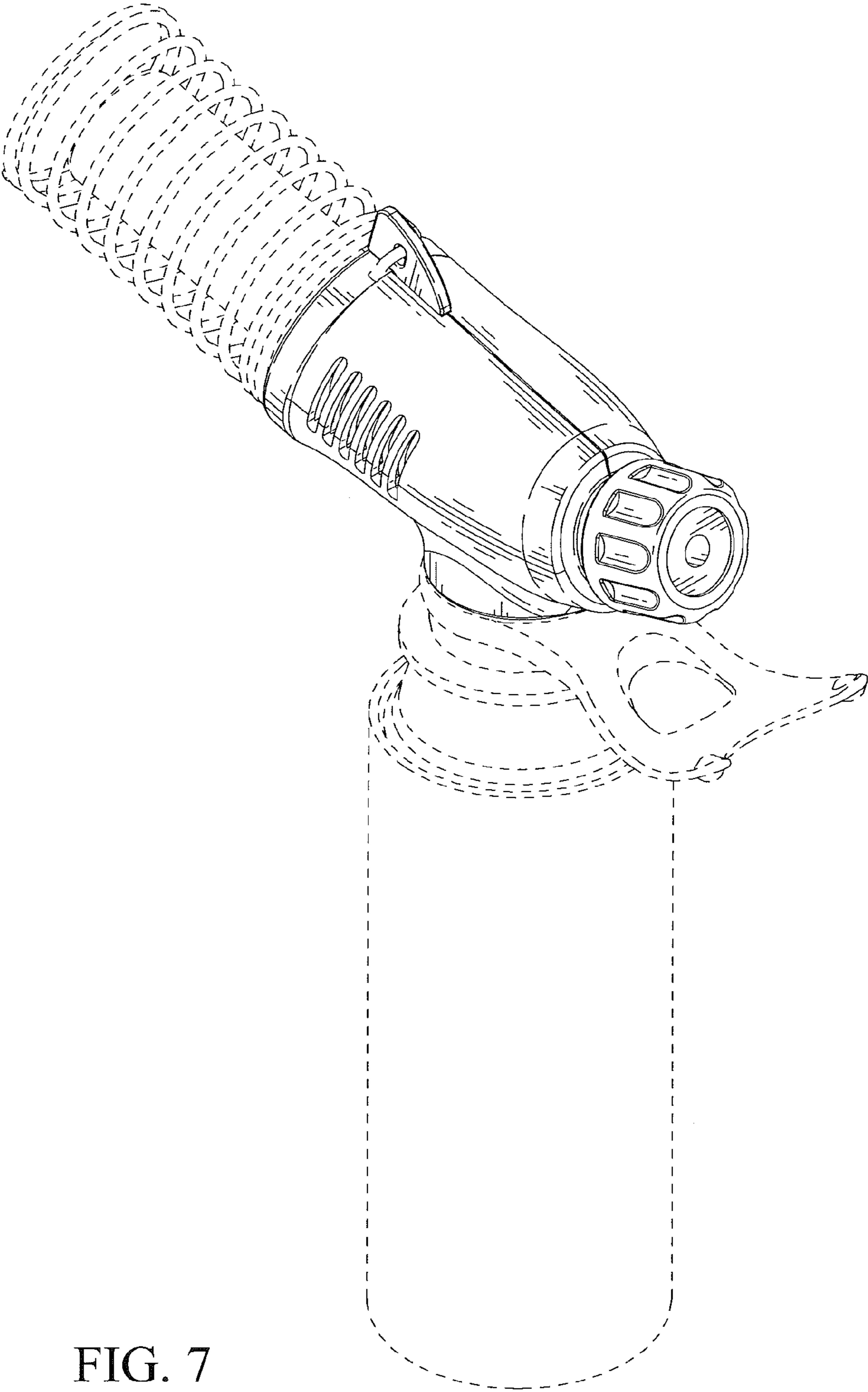


FIG. 7