



US00D743764S

(12) **United States Design Patent**  
**Teraoka**

(10) **Patent No.:** **US D743,764 S**

(45) **Date of Patent:** **\*\* Nov. 24, 2015**

(54) **GRIP FOR A HOT AIR BLOWING TOOL FOR MELTING SOLDER**

D659,496 S \* 5/2012 Mochizuki et al. .... D8/29.1  
8,948,577 B2 \* 2/2015 Eberli et al. .... 392/384  
2010/0008655 A1 \* 1/2010 Tackitt et al. .... 392/385

(71) Applicant: **Hakko Corporation**, Osaka-shi, Osaka (JP)

FOREIGN PATENT DOCUMENTS

(72) Inventor: **Yoshitomo Teraoka**, Osaka (JP)

CN 3579145 11/2006  
JP D1256643 11/2005

(73) Assignee: **Hakko Corporation**, Osaka-shi, Osaka (JP)

OTHER PUBLICATIONS

(\*\*) Term: **14 Years**

Hakko Corporation, catalog for "the soldering irons (FR-801/FR-802/FR-803B)" May 2013.

(21) Appl. No.: **29/495,606**

\* cited by examiner

(22) Filed: **Jul. 2, 2014**

*Primary Examiner* — Phillip S Hyder

(30) **Foreign Application Priority Data**

(74) *Attorney, Agent, or Firm* — Squire Patton Boggs (US) LLP

Jan. 14, 2014 (JP) ..... D2014-000448

(51) **LOC (10) Cl.** ..... **08-05**

(57) **CLAIM**

(52) **U.S. Cl.**

The ornamental design for a grip for a hot air blowing tool for melting solder, as shown and described.

USPC ..... **D8/29.1**; D8/30

(58) **Field of Classification Search**

**DESCRIPTION**

USPC ..... D8/29.1, 29.2; D15/144; D28/13  
CPC ..... F24H 3/00; F24H 3/0423; F16M 13/00  
See application file for complete search history.

FIG. 1 is a perspective view of a grip for a hot air blowing tool for melting solder;

(56) **References Cited**

U.S. PATENT DOCUMENTS

4,122,329 A \* 10/1978 Godel ..... 392/384  
D319,768 S \* 9/1991 Smith ..... D8/29.1  
D436,507 S \* 1/2001 Cheng ..... D8/29.1  
D456,681 S \* 5/2002 Cheng ..... D8/29.1  
D457,043 S \* 5/2002 Cheng ..... D8/29.1  
D458,524 S \* 6/2002 Cheng ..... D8/29.1  
6,683,285 B2 \* 1/2004 Wyss et al. .... 219/536  
D648,606 S \* 11/2011 Sallander ..... D8/29.1

FIG. 2 is a front view thereof;

FIG. 3 is a rear view thereof;

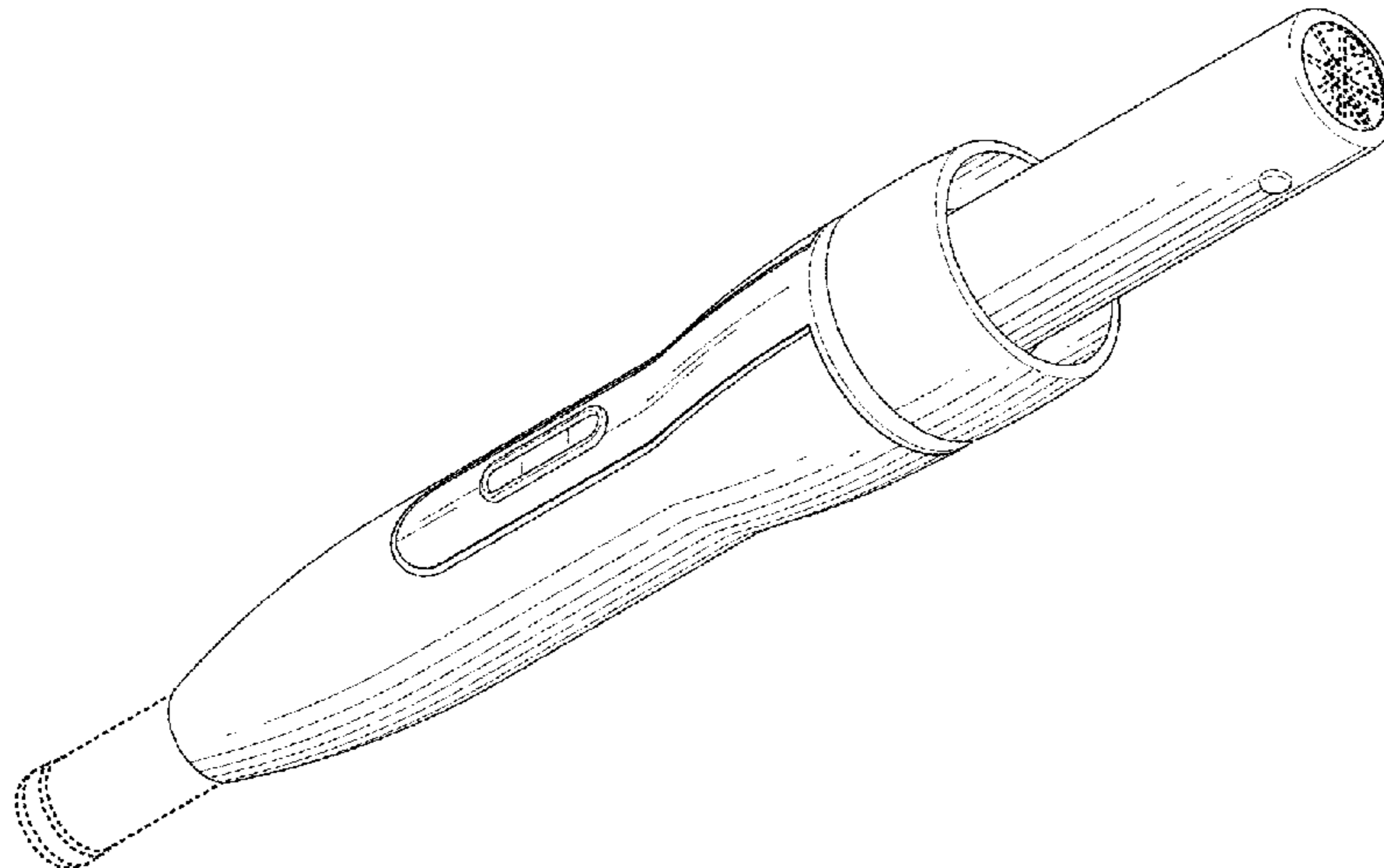
FIG. 4 is a left side view thereof;

FIG. 5 is a right side view thereof; and,

FIG. 6 is a top view thereof, the opposite side being a mirror image of the side shown herein.

The broken lines depict portions of the grip for a hot air blowing tool for melting solder in which the design is embodied that are not considered part of the claimed design.

**1 Claim, 3 Drawing Sheets**



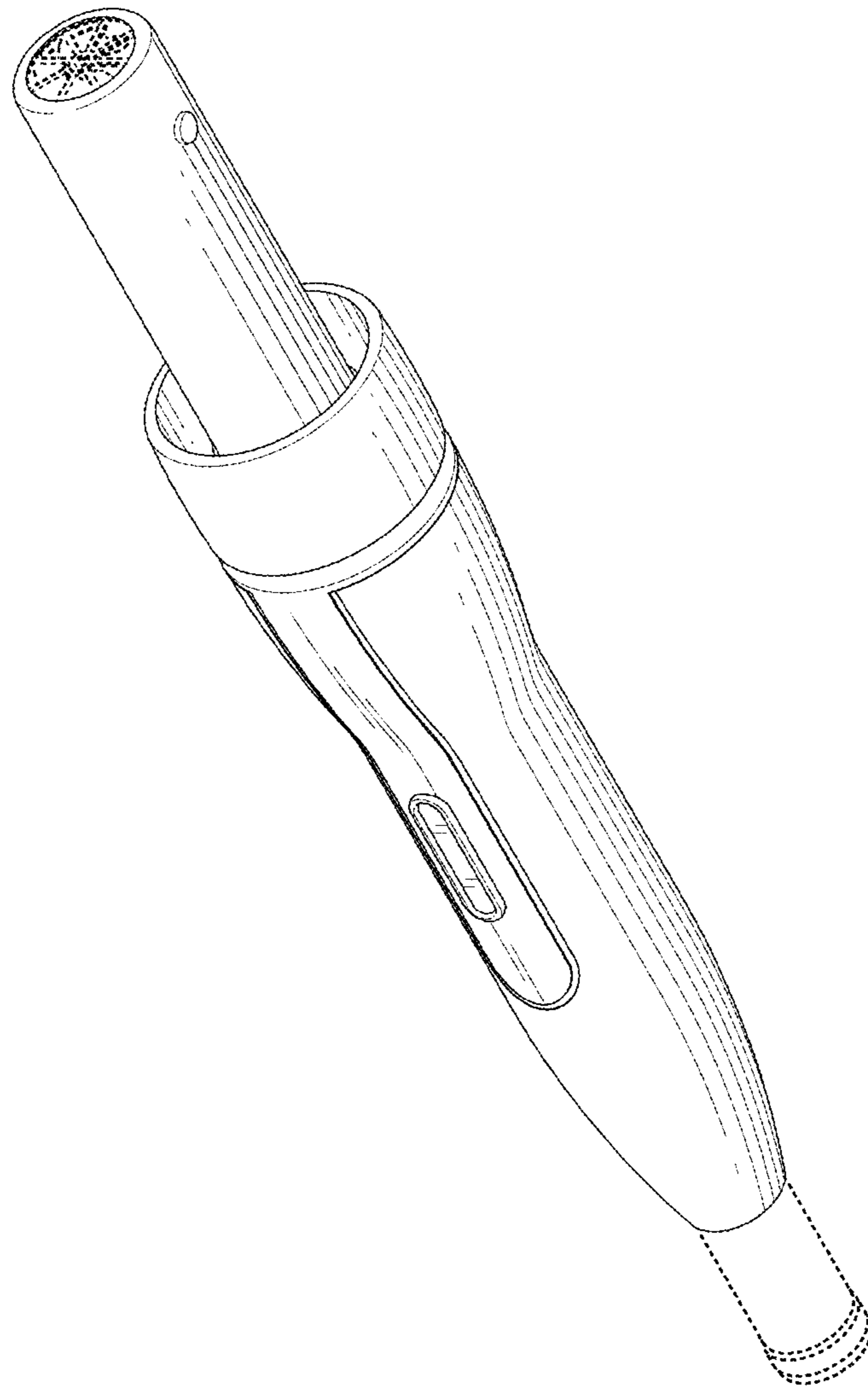


FIG.1

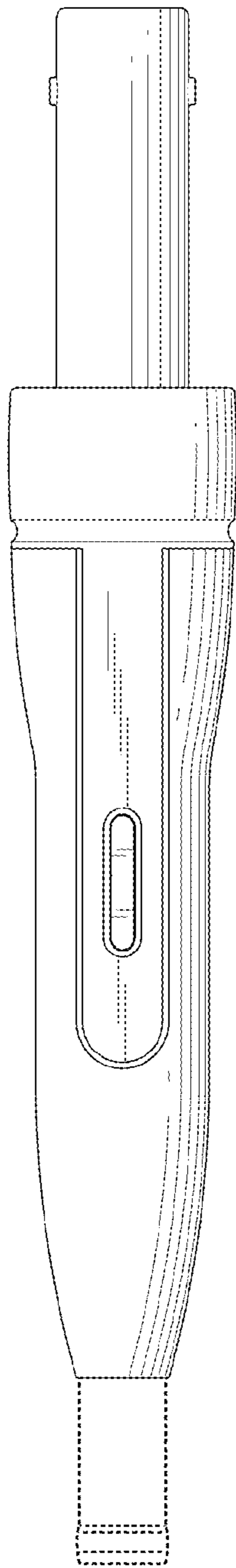


FIG. 2

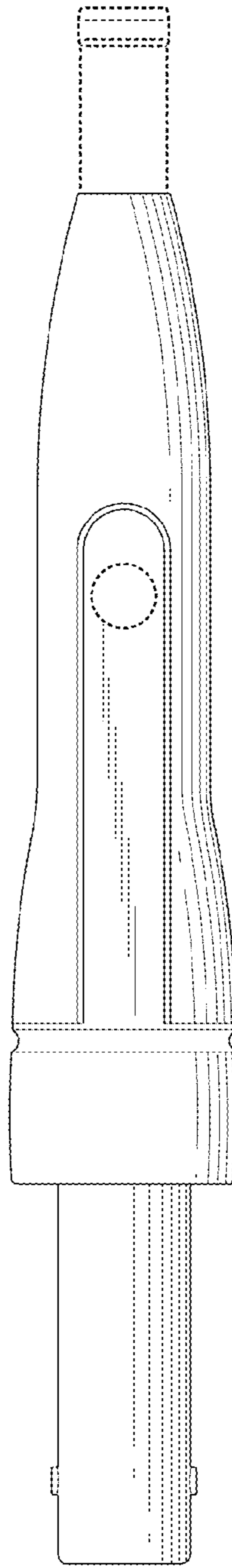


FIG. 3

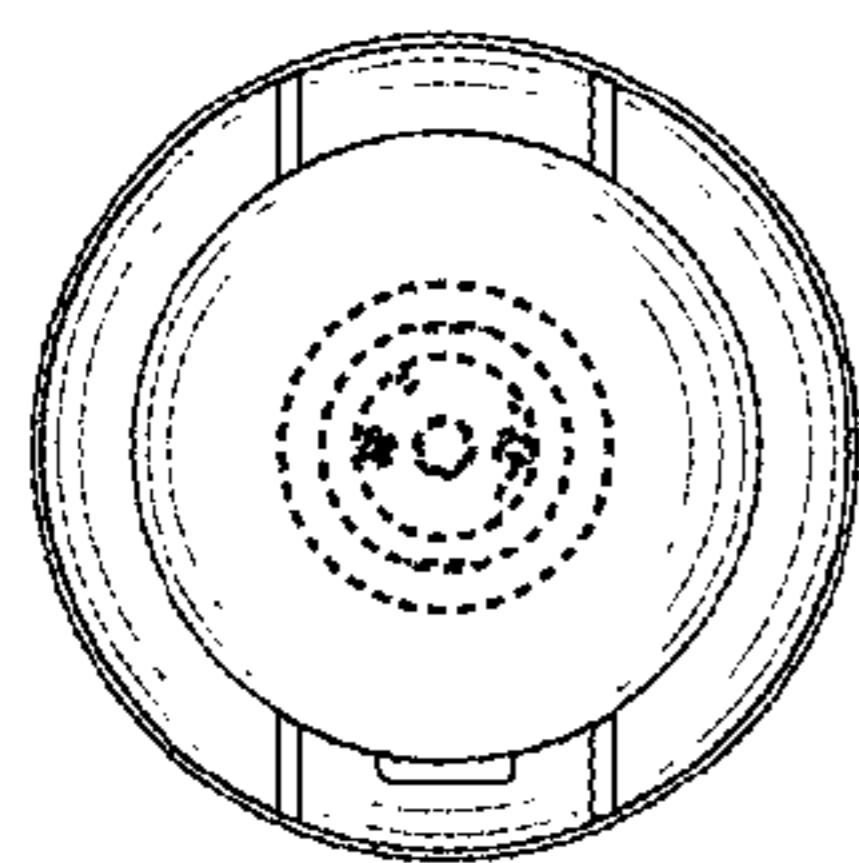


FIG.4

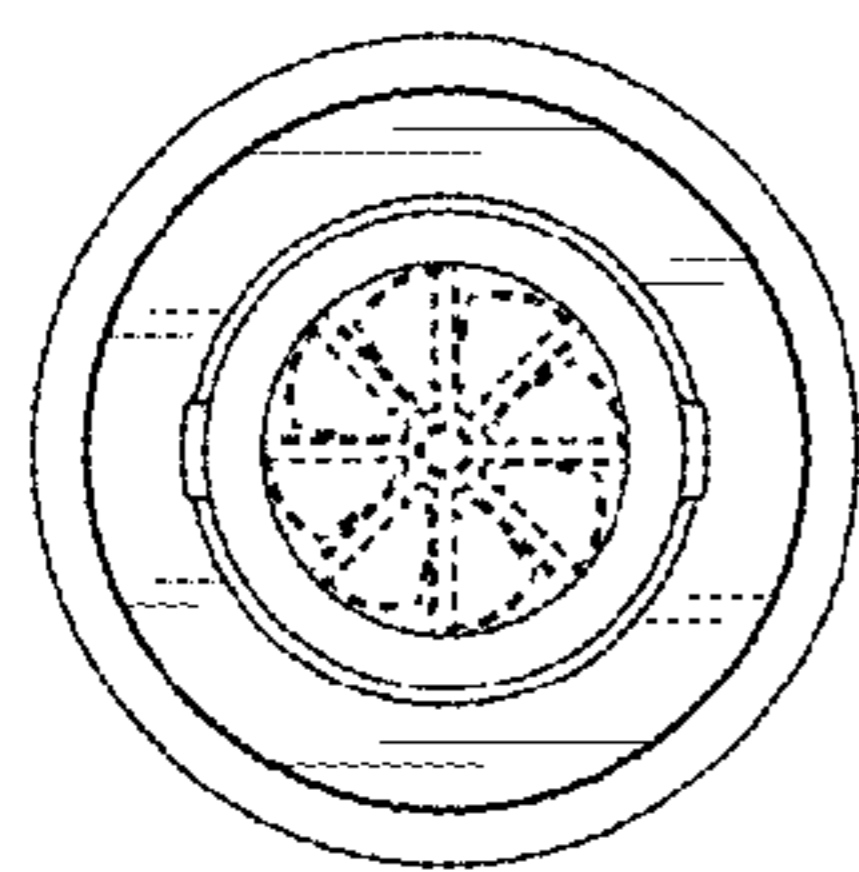


FIG.5

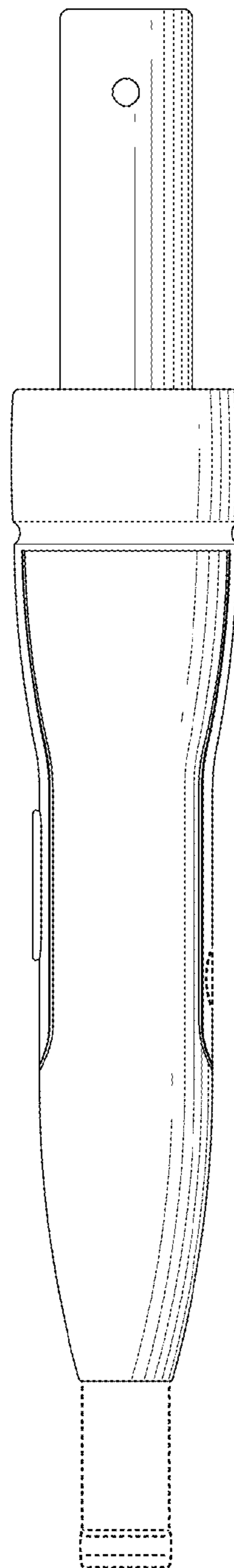


FIG.6