



US00D743762S

(12) **United States Design Patent**
Theissen

(10) **Patent No.:** **US D743,762 S**

(45) **Date of Patent:** **** Nov. 24, 2015**

(54) **TORQUE WRENCH**

(71) Applicant: **EDUARD WILLE GmbH & Co. KG,**
Wuppertal (DE)

(72) Inventor: **Marco Theissen,** Oldenthal (DE)

(73) Assignee: **Eduard Wille GmbH & Co. KG,**
Wuppertal (DE)

(**) Term: **14 Years**

(21) Appl. No.: **29/510,361**

(22) Filed: **Nov. 26, 2014**

Related U.S. Application Data

(62) Division of application No. 29/425,474, filed on Jun. 22, 2012, now Pat. No. Des. 719,801.

(30) **Foreign Application Priority Data**

Dec. 22, 2011 (EM) 001967233-0001-3

(51) **LOC (10) Cl.** **08-05**

(52) **U.S. Cl.**
USPC **D8/24**

(58) **Field of Classification Search**
USPC D8/21-29, 107, 61; 73/862.22, 862.23,
73/862.331-962.335; 81/467, 469, 479,
81/480-483, 57, 39; 464/25, 35
CPC B25B 31/00; B25B 13/00; B25B 23/00
See application file for complete search history.

(56) **References Cited**

U.S. PATENT DOCUMENTS

D286,973 S * 12/1986 Grabovac D8/24
D517,171 S * 3/2006 Shieh D23/242

D525,853 S * 8/2006 Hsieh D8/107
D562,093 S * 2/2008 Wu D8/24
D575,603 S * 8/2008 Shiao D8/24
D580,720 S * 11/2008 Shiao D8/24
D586,193 S * 2/2009 Escoe et al. D8/24
D605,006 S * 12/2009 Shiao D8/24
7,685,889 B2 * 3/2010 Hsieh 73/862.22

FOREIGN PATENT DOCUMENTS

TW D107347 11/2005
TW D123798 7/2008
TW D132727 1/2010
TW D141731 8/2011

OTHER PUBLICATIONS

Notice of Reference Cited (Form PTO-892) issued by the Examiner in the U.S. Appl. No. 13/667,342 of the parent Application on Aug. 18, 2014.

* cited by examiner

Primary Examiner — Randall Gholson

(74) *Attorney, Agent, or Firm* — Lawrence G. Fridman, Esq.

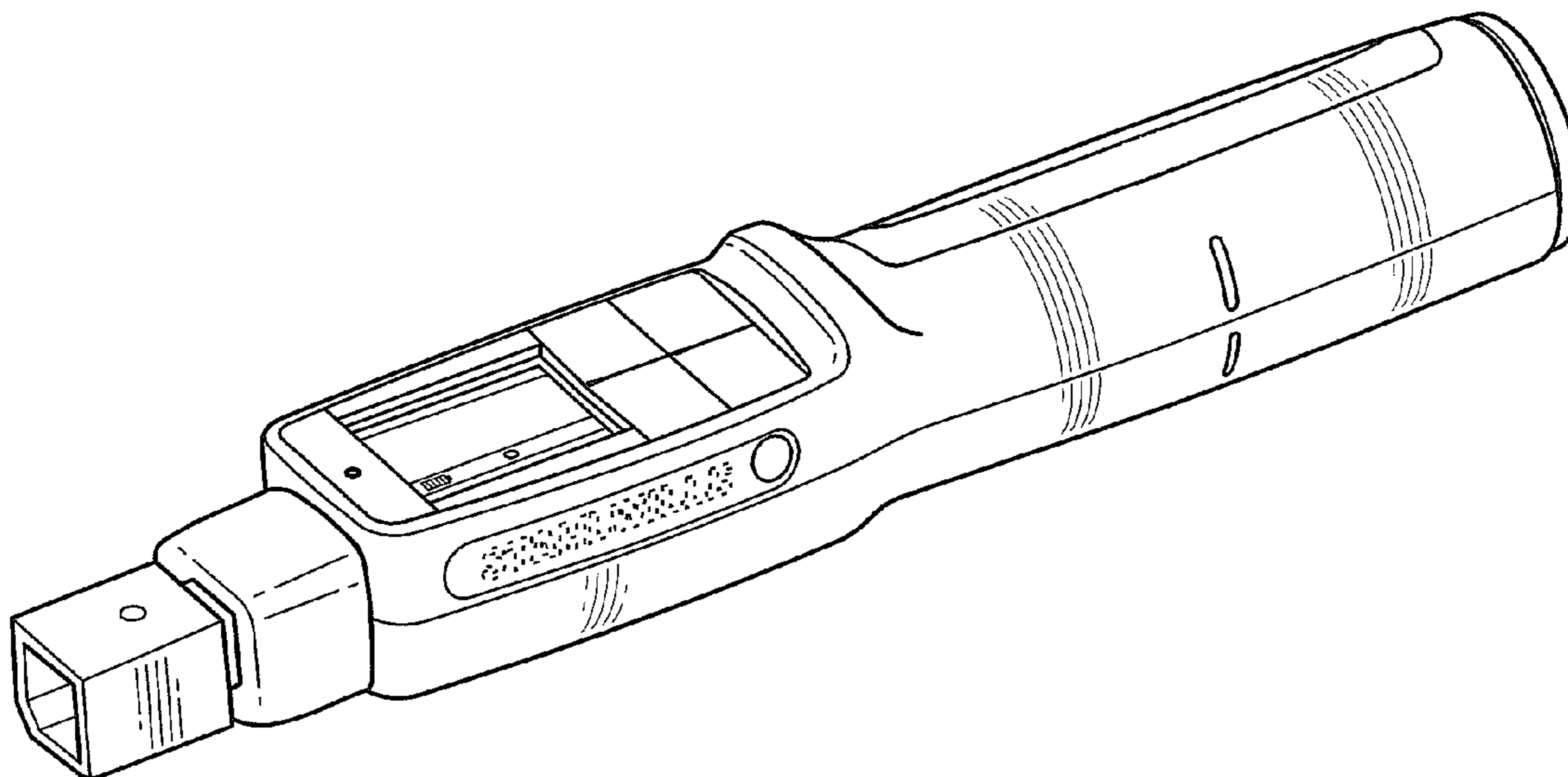
(57) **CLAIM**

The ornamental design for a torque wrench, as shown and described.

DESCRIPTION

FIG. 1 is a perspective view of the torque wrench according to my new design;
FIG. 2 is a top perspective view thereof;
FIG. 3 is a side perspective view thereof;
FIG. 4 is a bottom view thereof; and,
FIG. 5 is another side view thereof.

1 Claim, 4 Drawing Sheets



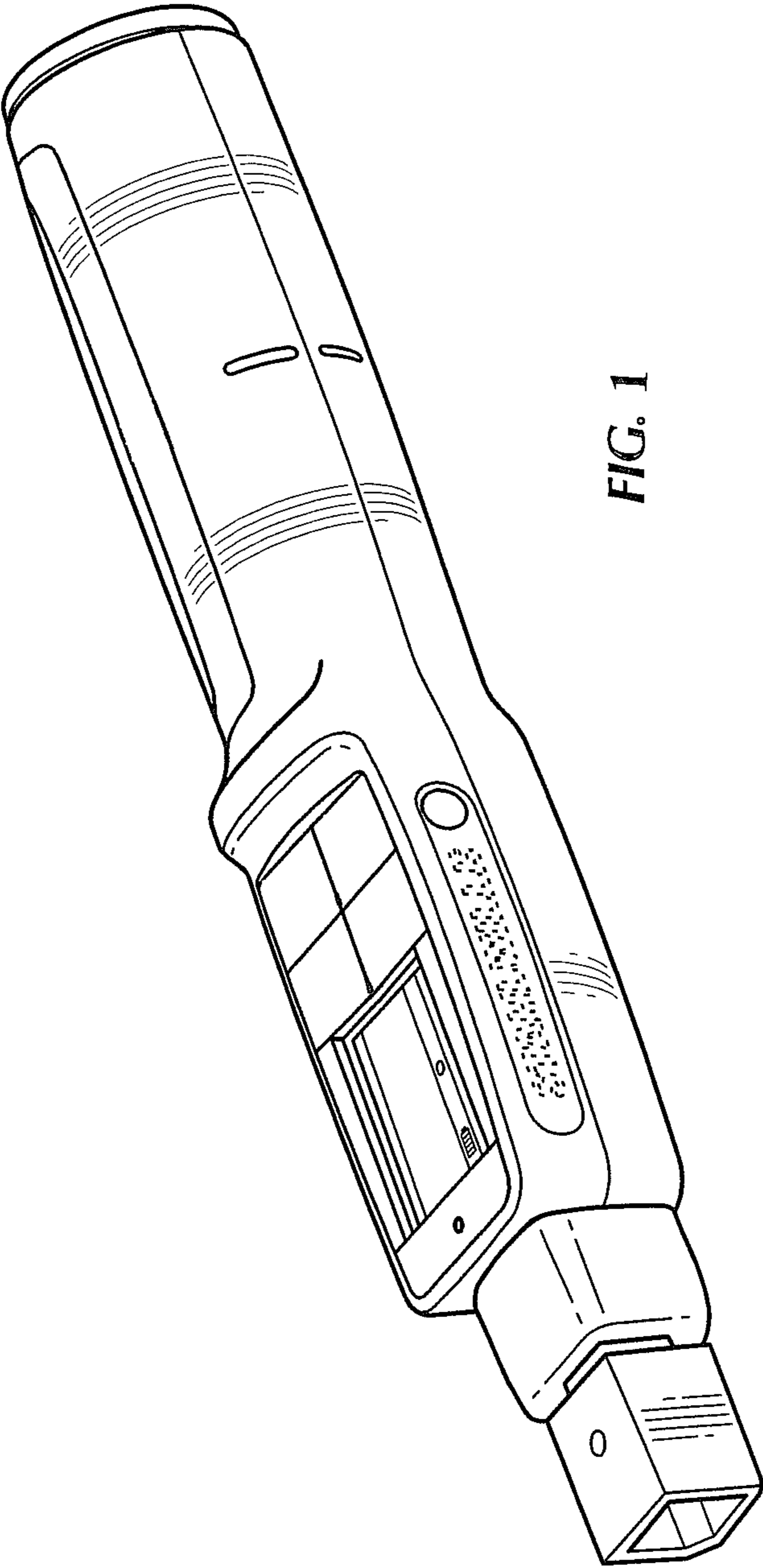


FIG. 1

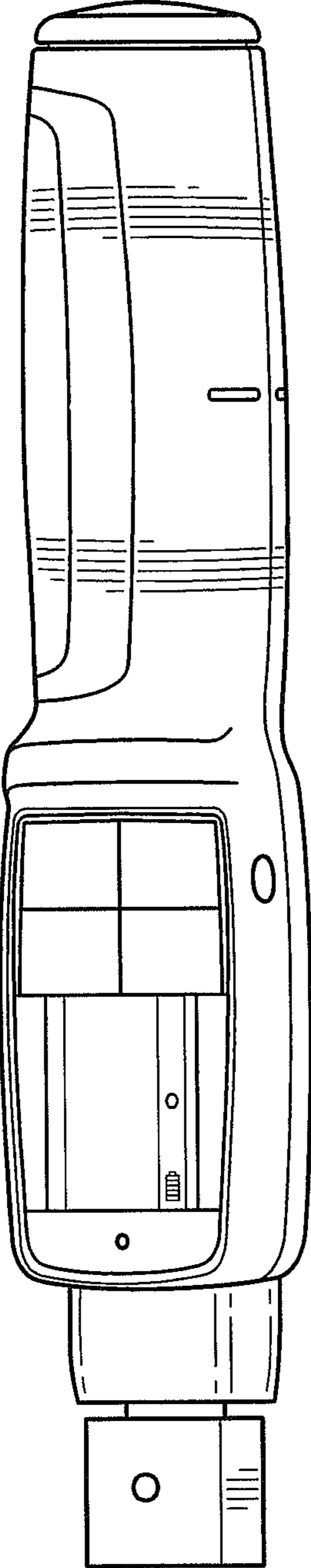


FIG. 2

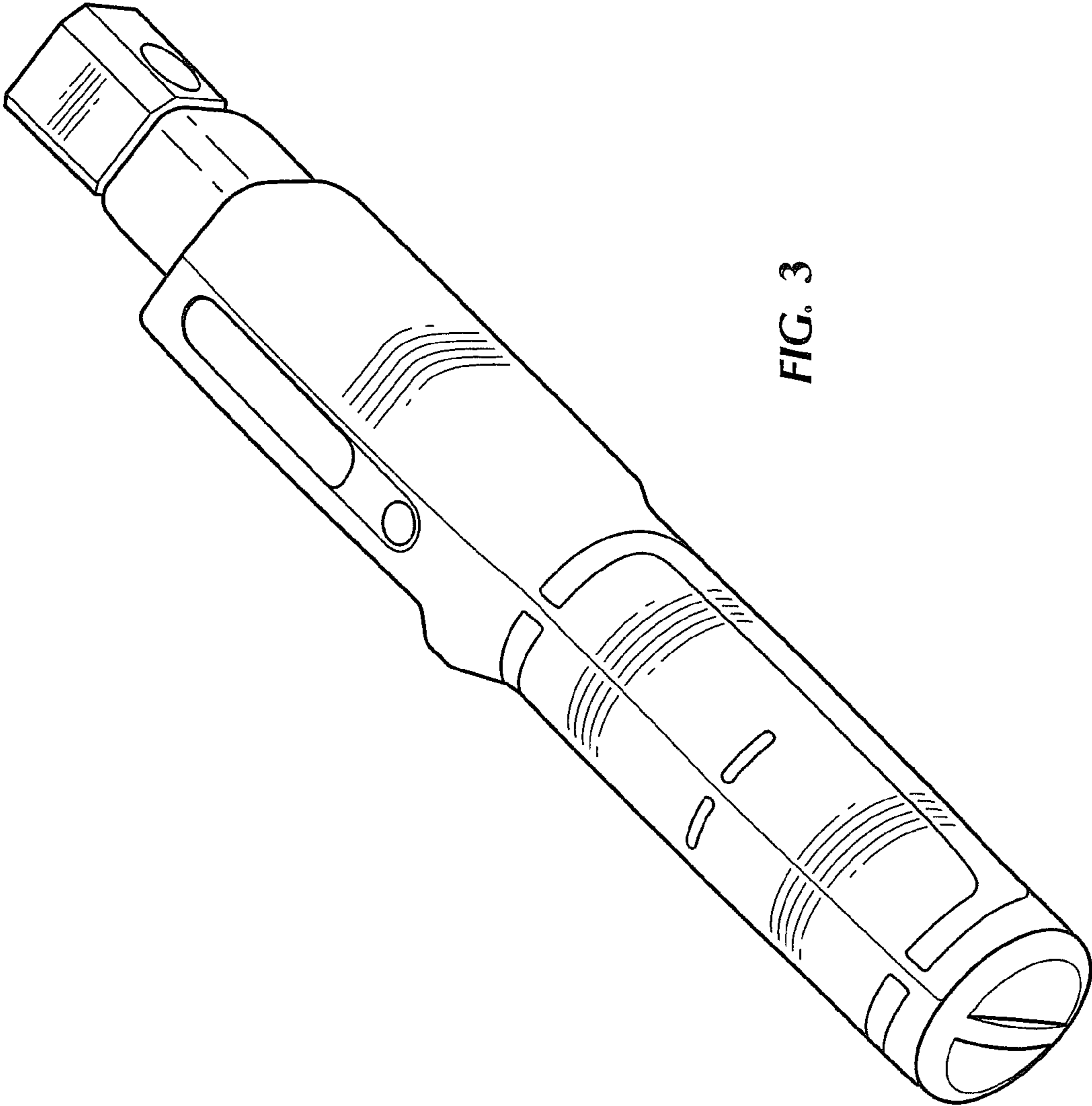


FIG. 3

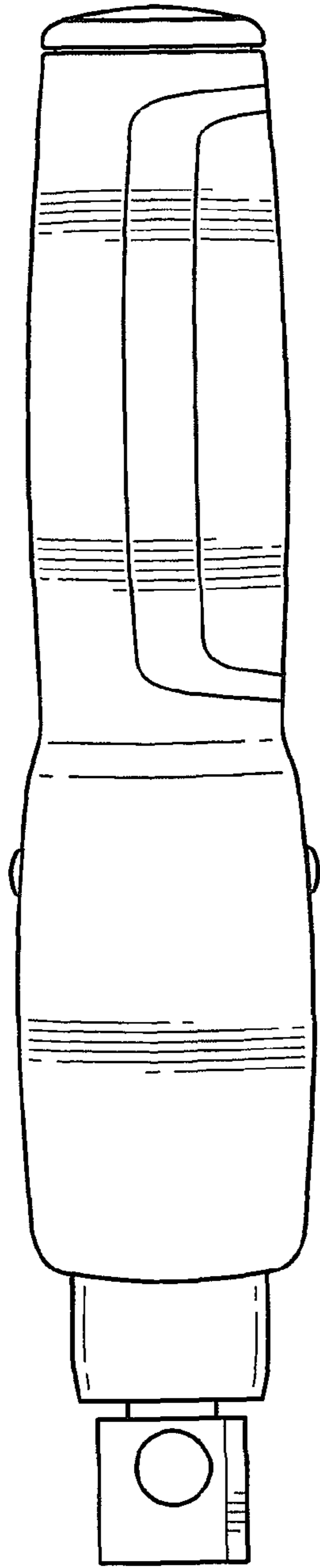


FIG. 4

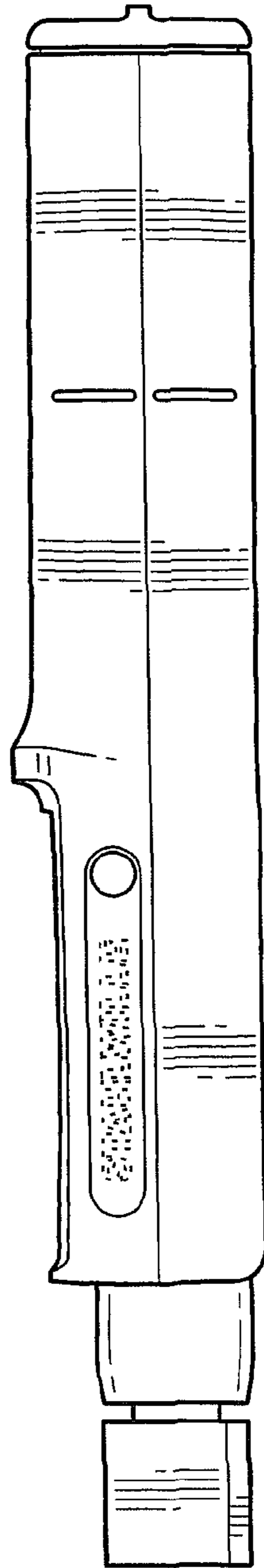


FIG. 5