



US00D743760S

(12) **United States Design Patent**  
**Barr et al.**

(10) **Patent No.:** **US D743,760 S**

(45) **Date of Patent:** **\*\* Nov. 24, 2015**

(54) **UTILITY TOOL**

(71) Applicant: **Caffeinate Labs, Inc.**, Somerville, MA (US)

(72) Inventors: **Nathan G. Barr**, Somerville, MA (US);  
**Jenna M. Hight**, Somerville, MA (US)

(\*\*) Term: **14 Years**

(21) Appl. No.: **29/496,153**

(22) Filed: **Jul. 9, 2014**

(51) **LOC (10) Cl.** ..... **08-05**

(52) **U.S. Cl.**  
USPC ..... **D8/19**

(58) **Field of Classification Search**  
USPC ..... D8/16, 18, 19, 20, 105, 363, 366,  
D8/370-377, 380-382; D28/21, 22, 25  
CPC ..... B25F 1/00; B25F 1/02; A45F 2200/0575;  
G01B 5/18  
See application file for complete search history.

(56) **References Cited**

**U.S. PATENT DOCUMENTS**

D33,779 S *	12/1900	Madden et al.	.....	D8/371
D218,272 S *	8/1970	Bothe	.....	D8/19
D241,006 S *	8/1976	Wallace	.....	D8/373
D356,243 S *	3/1995	Eckerman	.....	D8/373
D468,977 S *	1/2003	Graff et al.	.....	D8/19
D528,880 S *	9/2006	Belflower	.....	D8/16
D666,883 S *	9/2012	Howard et al.	.....	D8/19
D701,110 S *	3/2014	Symons	.....	D8/373
D707,091 S *	6/2014	Barr	.....	D8/16

D729,023 S *	5/2015	Alho et al.	.....	D8/19
D730,131 S *	5/2015	Cornell	.....	D8/19
D732,360 S *	6/2015	Reeder	.....	D8/19

\* cited by examiner

*Primary Examiner* — Robert M Spear

*Assistant Examiner* — Eliza Bennett-Hattan

(74) *Attorney, Agent, or Firm* — Anne-Marie Dinius

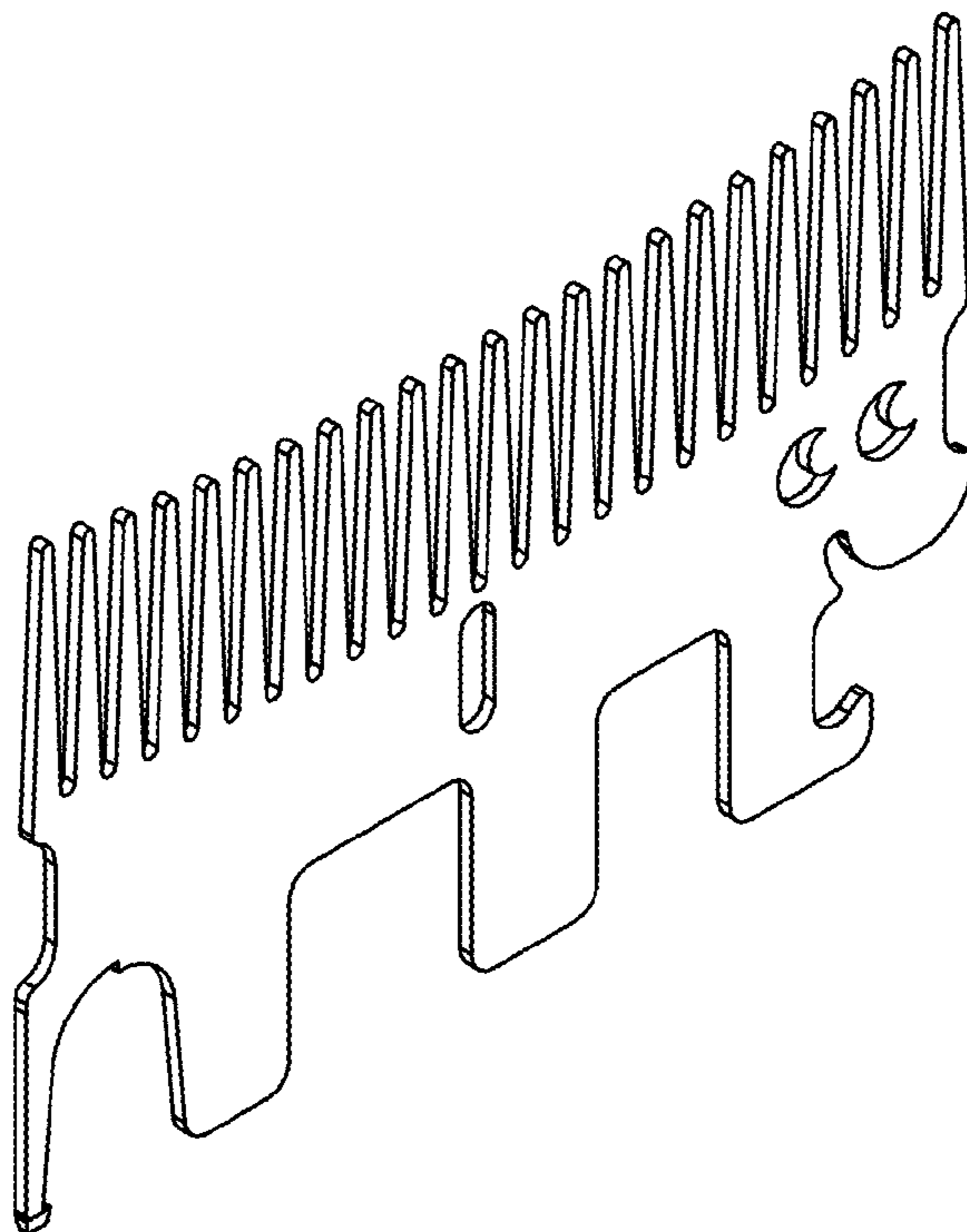
(57) **CLAIM**

The ornamental design for a utility tool, as shown and described.

**DESCRIPTION**

FIG. 1 is a front perspective view of a first embodiment of the utility tool;  
 FIG. 2 is a front view of the utility tool in FIG. 1, the rear view being substantially a mirror image of the front view;  
 FIG. 3 is a top view of the utility tool in FIG. 1;  
 FIG. 4 is a bottom view of the utility tool in FIG. 1;  
 FIG. 5 is a left side view of the utility tool in FIG. 1;  
 FIG. 6 is a right side view of the utility tool in FIG. 1;  
 FIG. 7 is a front perspective view of a second embodiment of the utility tool front view of the utility tool;  
 FIG. 8 is a front view of the utility tool in FIG. 7, the rear view being substantially a mirror image of the front view;  
 FIG. 9 is a top view of the utility tool in FIG. 7;  
 FIG. 10 is a bottom view of the utility tool in FIG. 7;  
 FIG. 11 is a left side view of the utility tool in FIG. 7; and,  
 FIG. 12 is a right side view of the utility tool in FIG. 7.  
 The broken line disclosures appearing in the drawings are for illustrative purposes only and form no part of the claimed design.

**1 Claim, 4 Drawing Sheets**



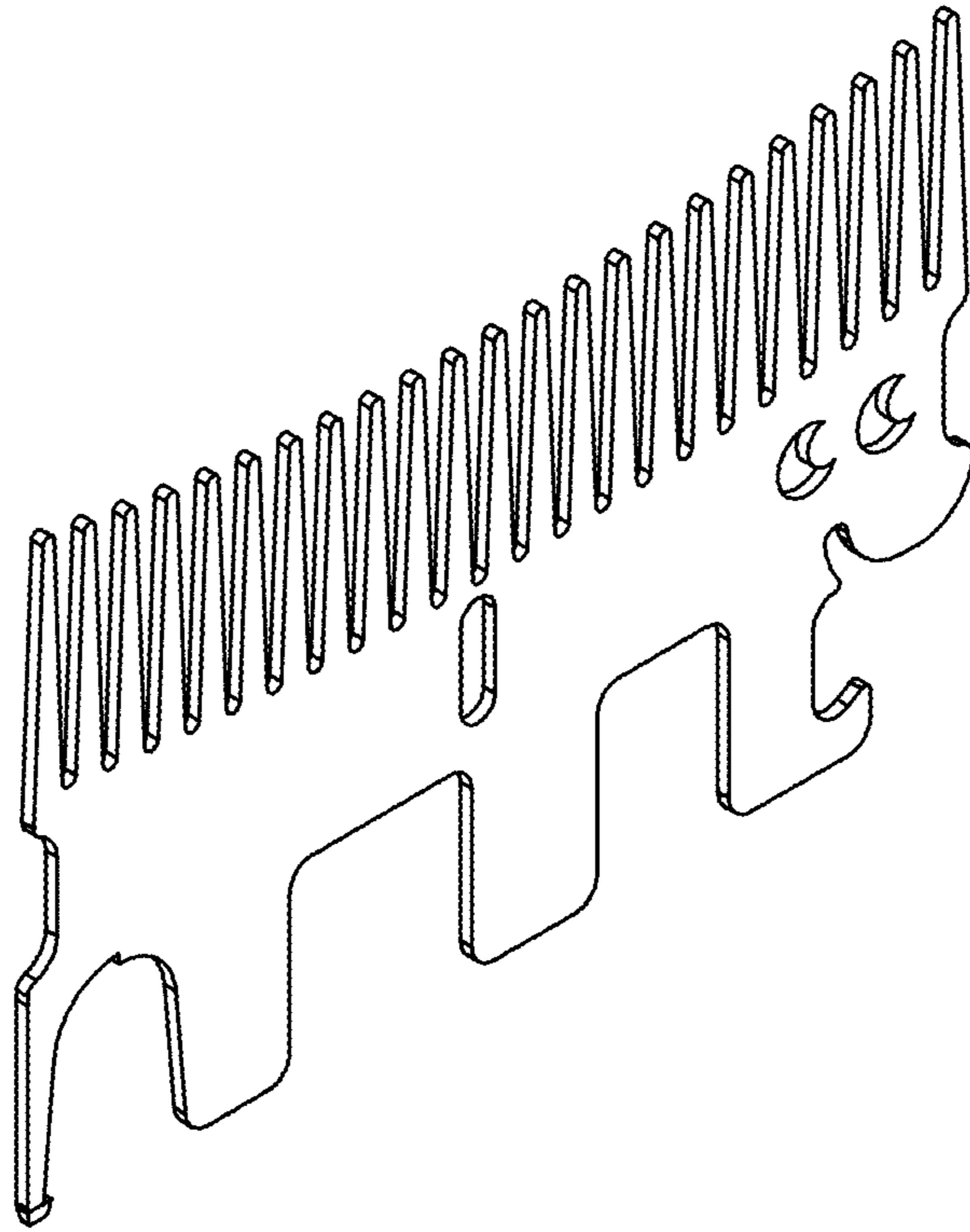


FIG. 1

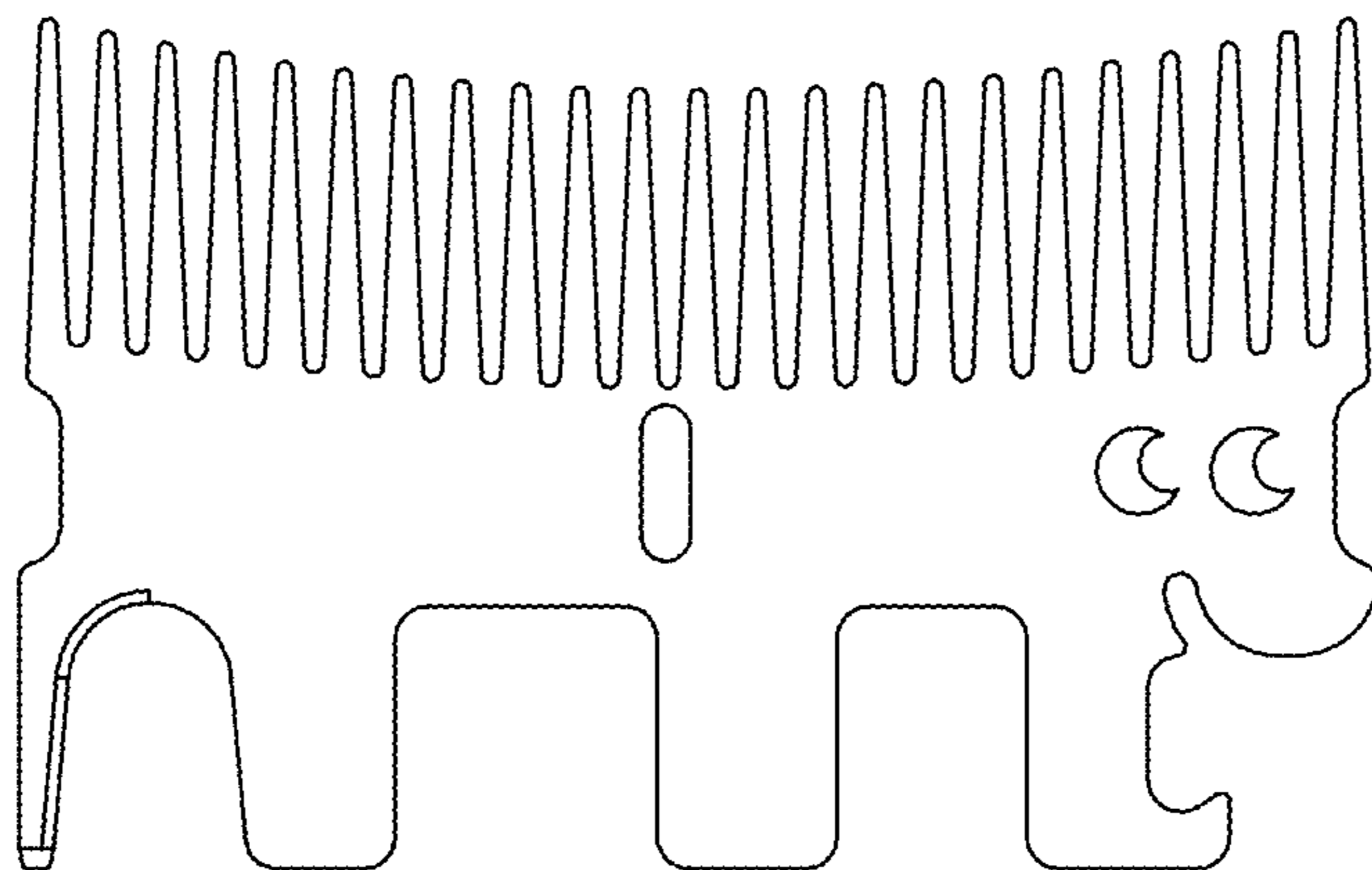


FIG. 2



FIG. 3

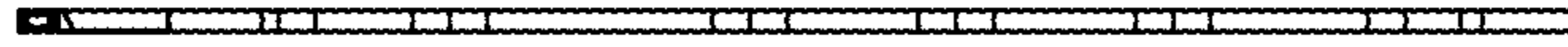


FIG. 4



FIG. 5

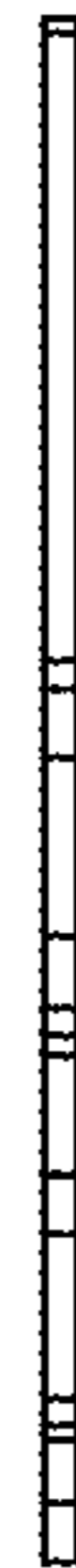


FIG. 6

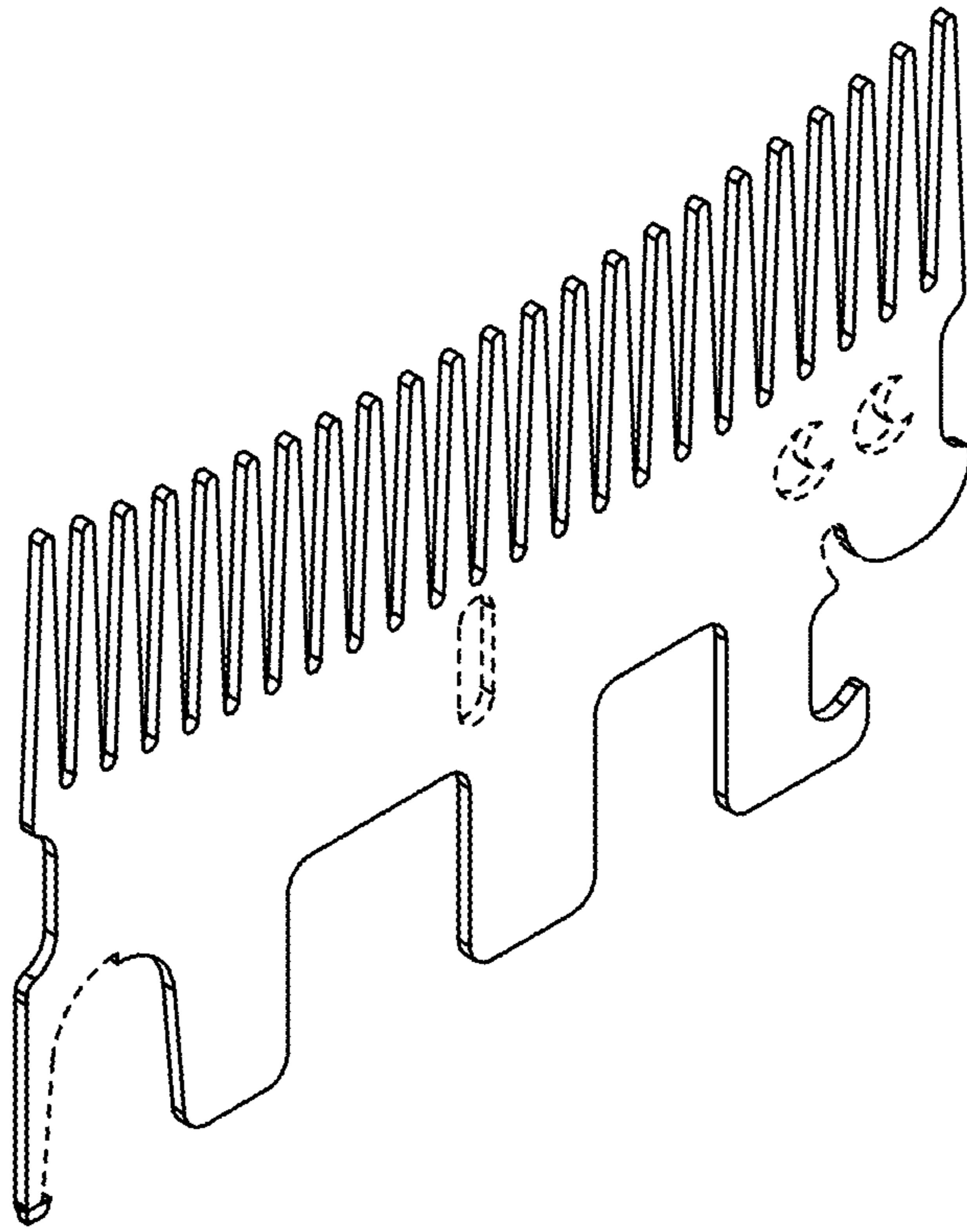


FIG. 7

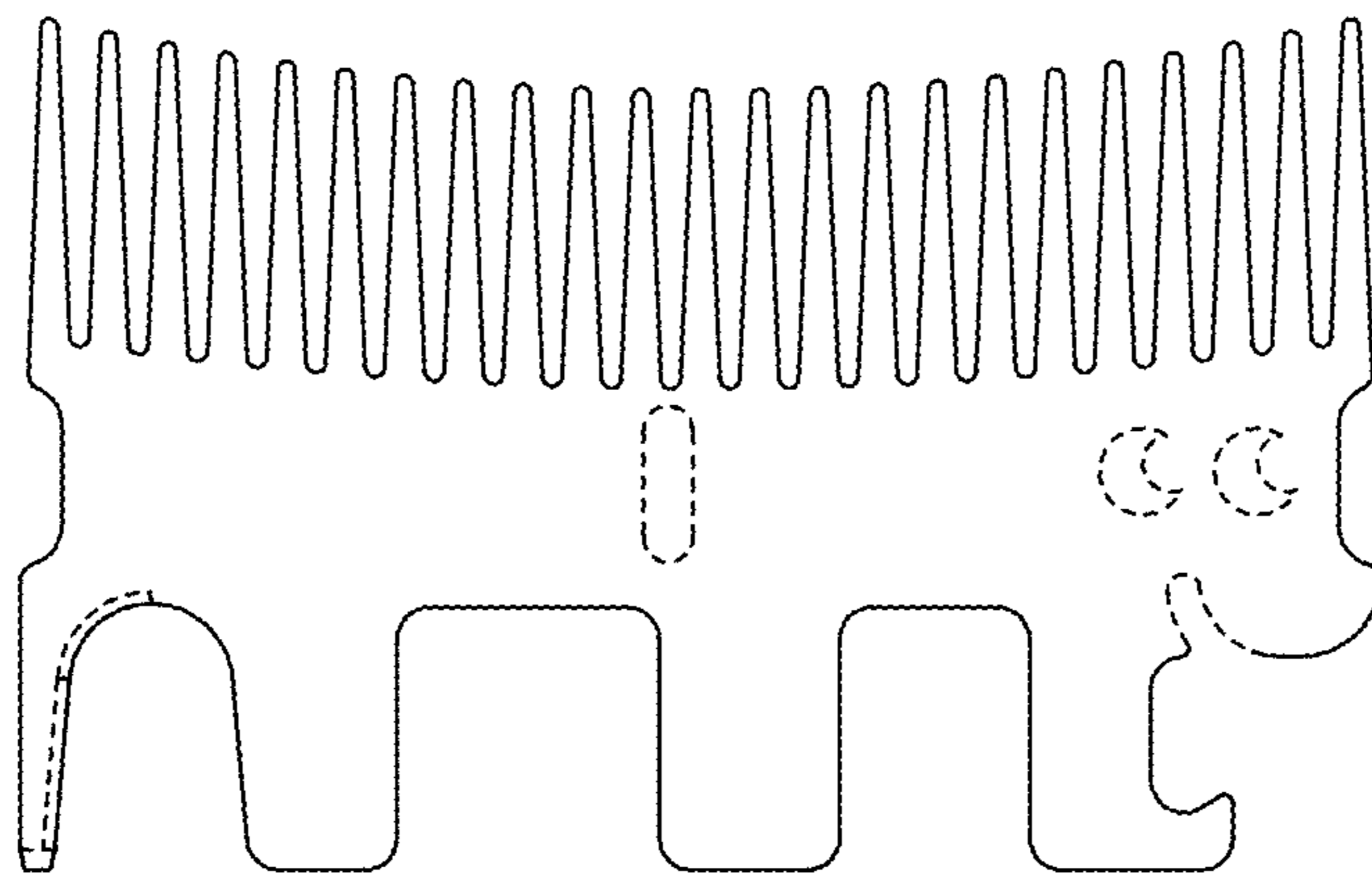


FIG. 8

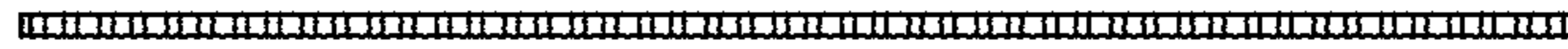


FIG. 9

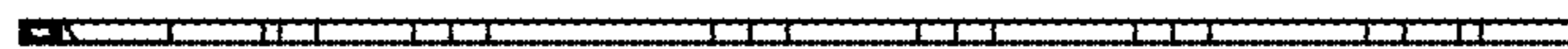


FIG. 10



FIG. 11



FIG. 12